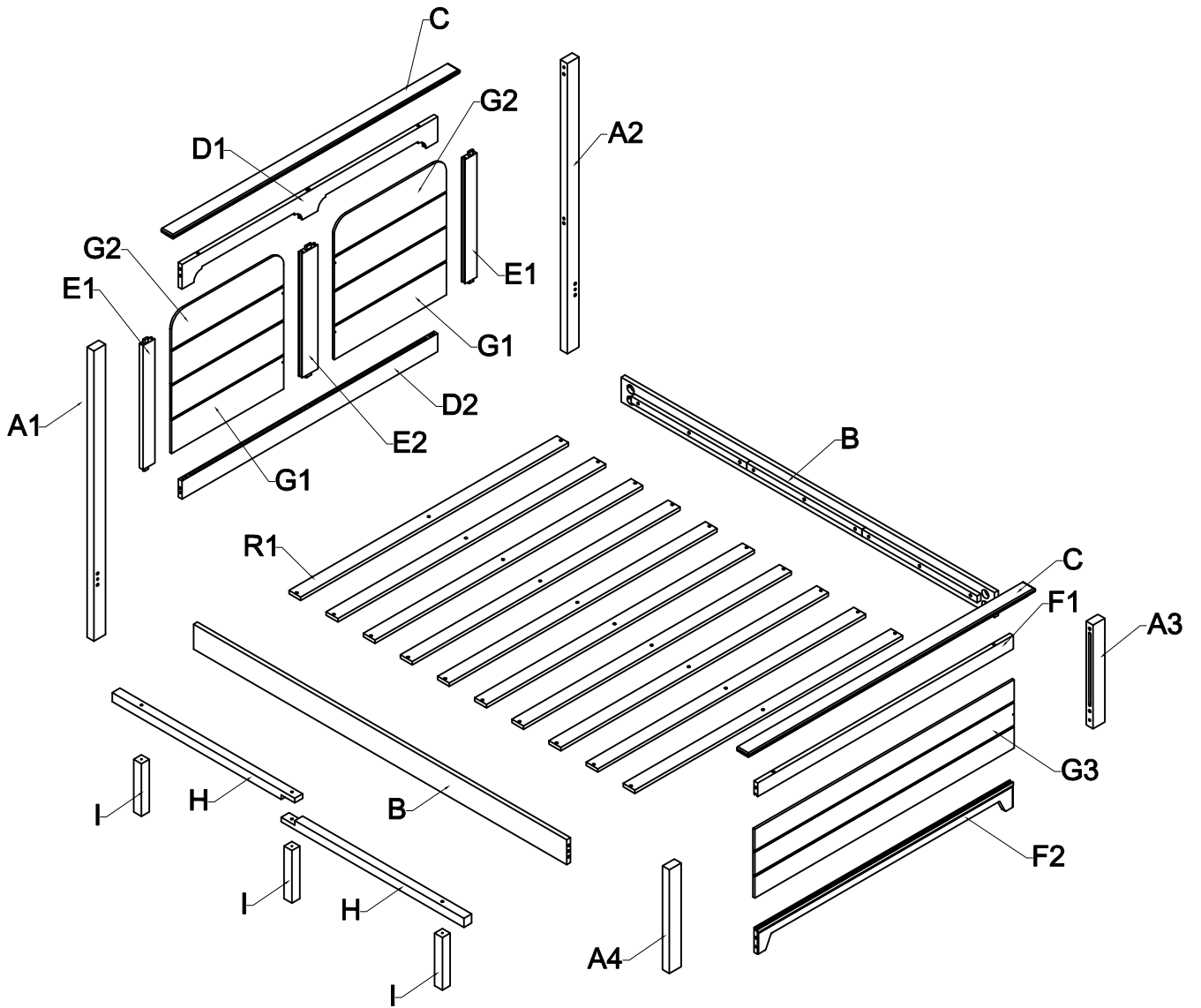





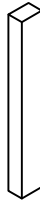
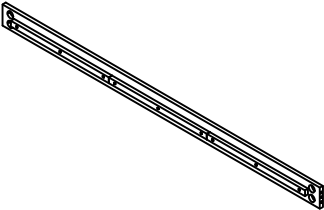
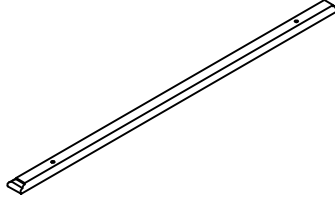
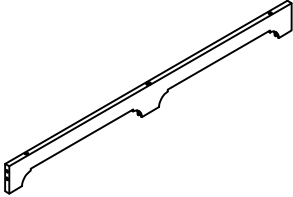
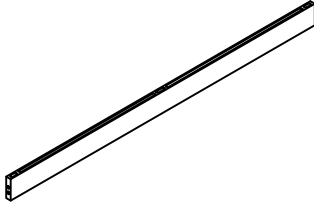


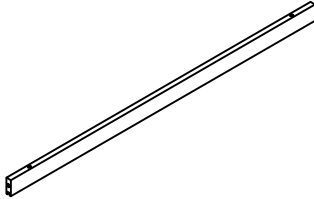
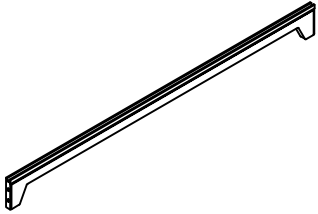
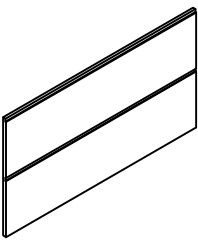
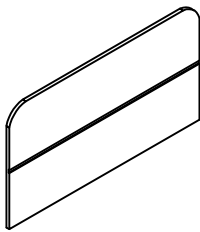
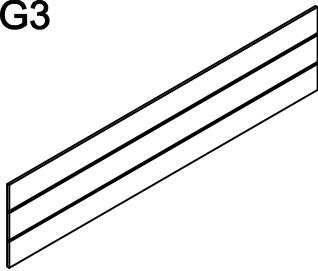
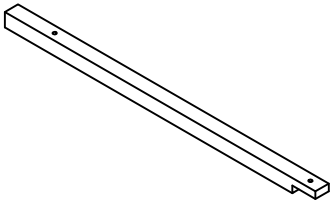

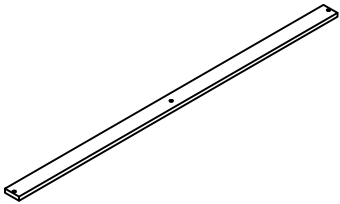
ASSEMBLY INSTRUCTIONS



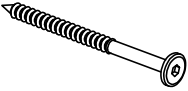

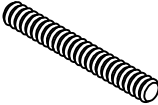


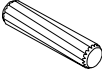
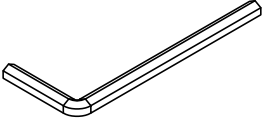
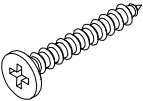
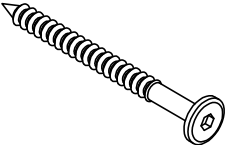
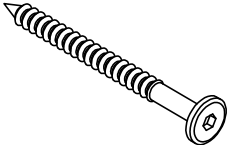
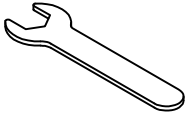
DETAIL VIEW

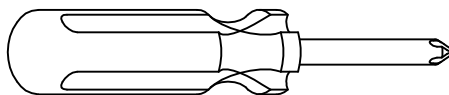


BOX 1:

<p>A1</p>  <p>Front leg - left (1pc)</p>	<p>A2</p>  <p>Back leg - left (1pc)</p>	<p>A3</p>  <p>Back leg - right (1pc)</p>	<p>A4</p>  <p>Front leg - left (1pc)</p>
<p>B</p>  <p>Side rail (2pcs)</p>	<p>C</p>  <p>Top rail (2pcs)</p>	<p>D1</p>  <p>Headboard rail - top (1pc)</p>	<p>D2</p>  <p>Headboard rail - bottom (1pc)</p>
<p>E1</p>  <p>Vertical rail - side (2pcs)</p>	<p>E2</p>  <p>Vertical rail - middle (1pc)</p>	<p>F1</p>  <p>Footboard rail - top (1pc)</p>	<p>F2</p>  <p>Footboard rail - bottom (1pc)</p>
<p>G1</p>  <p>Headboard panel - bottom (2pcs)</p>	<p>G2</p>  <p>Headboard panel - top (2pcs)</p>	<p>G3</p>  <p>Footboard panel (1pc)</p>	<p>H</p>  <p>Support slats - (2pcs)</p>
<p>I</p>  <p>Extra leg - (3pcs)</p>	<p>R1</p>  <p>Slats - (10pcs)</p>		

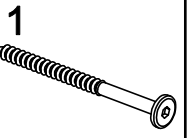
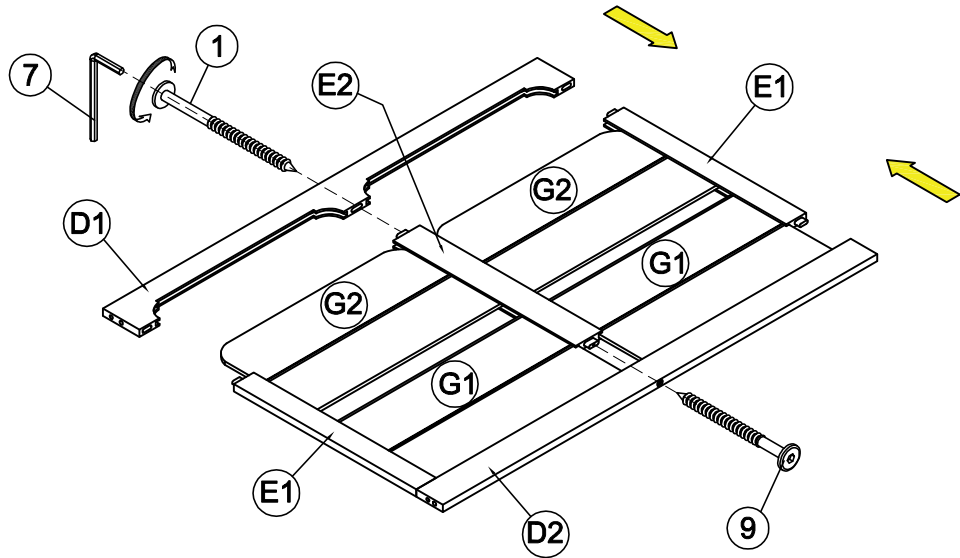
HARDWARE LIST:

<p>1</p>  <p>Hexagonal bolts catch wood Ø1/4" * 120 - 1pc</p>	<p>2</p>  <p>Threaded bolt Ø5/16" * 60 - 4pcs</p>	<p>3</p>  <p>Threaded bolt Ø5/16" * 80 - 16pcs</p>	<p>4</p>  <p>Semi - Circular Ø5/16" - 20pcs</p>
<p>5</p>  <p>Hexagonal screw Ø5/16" - 20pcs</p>	<p>6</p>  <p>Wood dowel Ø8 * 30 - 10pcs</p>	<p>7</p>  <p>Allen key K4 - 1pc</p>	<p>8</p>  <p>Wood crews M4 * 30 - 30pcs</p>
<p>9</p>  <p>Hexagonal bolts catch wood Ø1/4" * 100 - 1pc</p>	<p>10</p>  <p>Hexagonal bolts catch wood Ø1/4" * 70 - 3pcs</p>	<p>11</p>  <p>Wrench key (K13) - 1pc</p>	

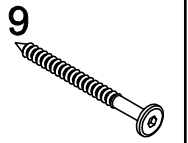


Assembly Tools Required (Not Included)

STEP 1

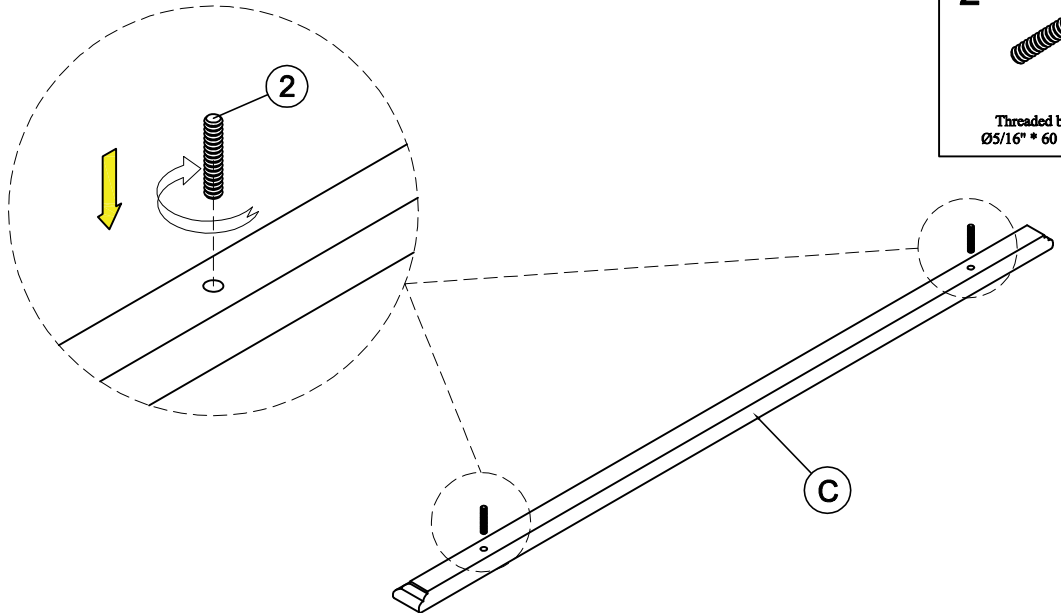


Hexagonal bolts catch wood
Ø1/4" * 120 - 1pc



Hexagonal bolts catch wood
Ø1/4" * 100 - 1pc

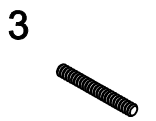
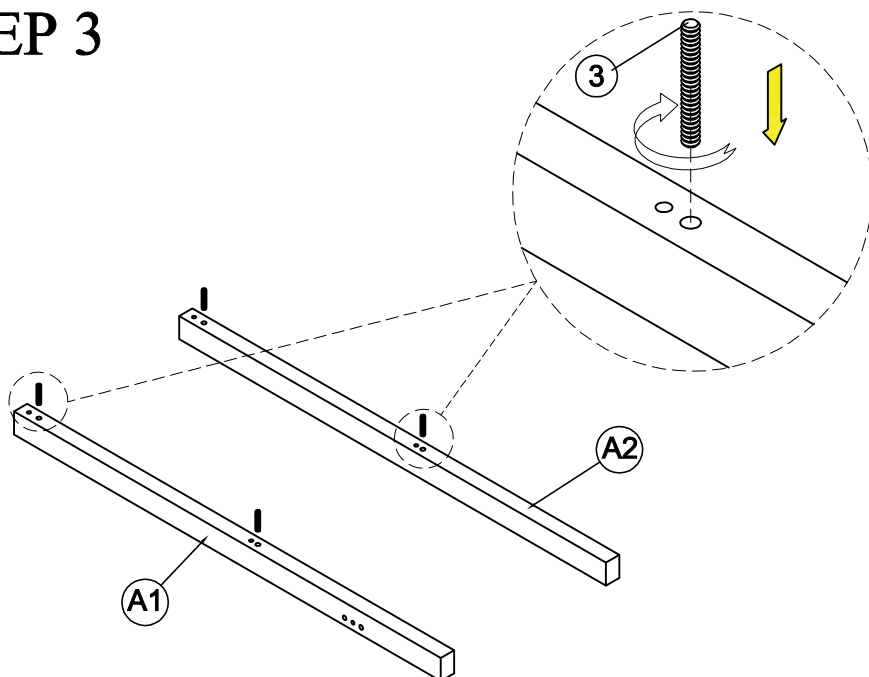
STEP 2



Threaded bolt
Ø5/16" * 60 - 4pcs

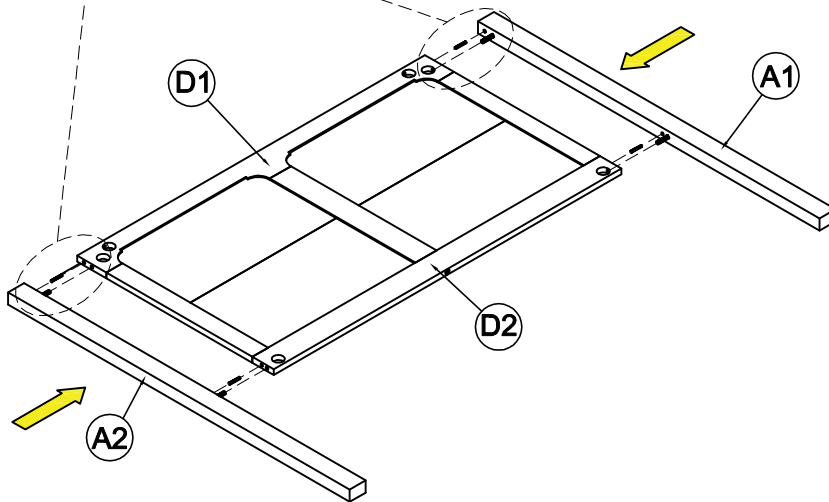
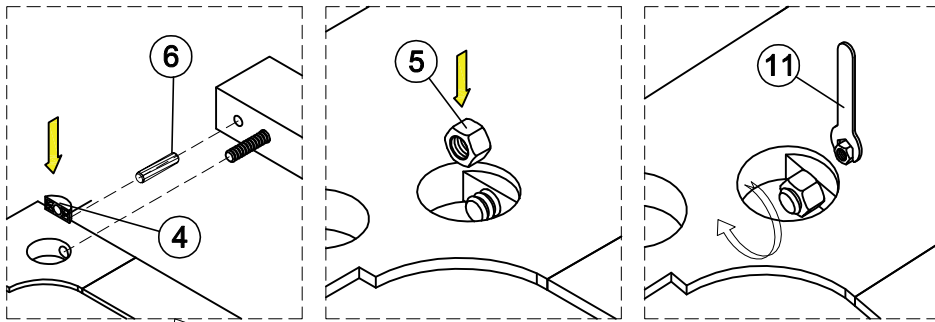
X2

STEP 3



Threaded bolt
Ø5/16" * 80 - 4pcs

STEP 4



4



Semi - Circular
Ø5/16" - 4pcs

5



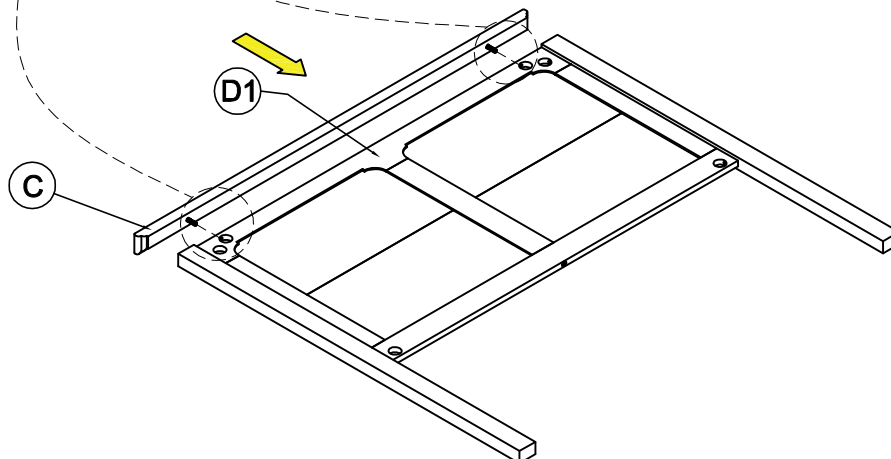
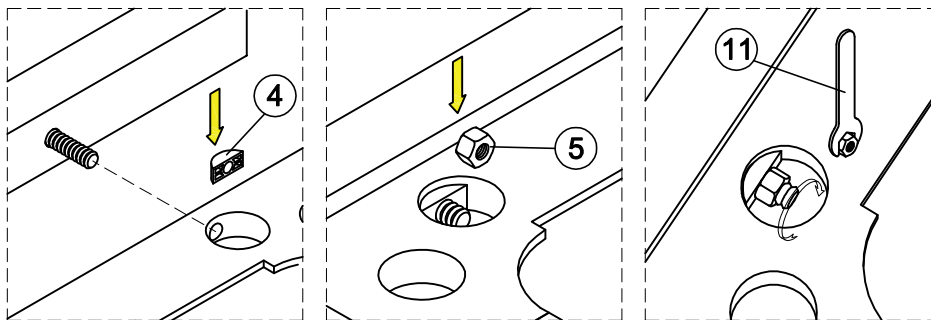
Hexagonal screw
Ø5/16" - 4pcs

6



Wood dowel
Ø8 * 30 - 4pcs

STEP 5



4



Semi - Circular
Ø5/16" - 2pcs

5



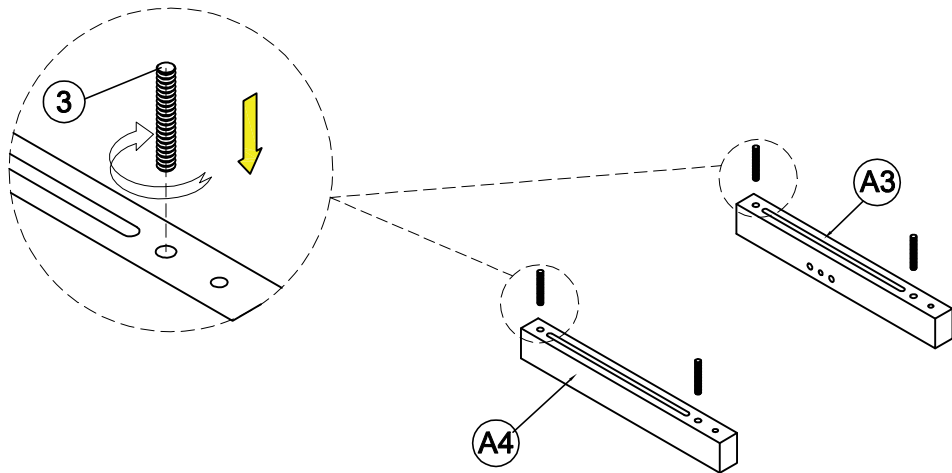
Hexagonal screw
Ø5/16" - 2pcs

STEP 6

3



Threaded bolt
Ø5/16" * 80 - 4pcs



STEP 7

4



Semi - Circular
Ø5/16" - 4pcs

5

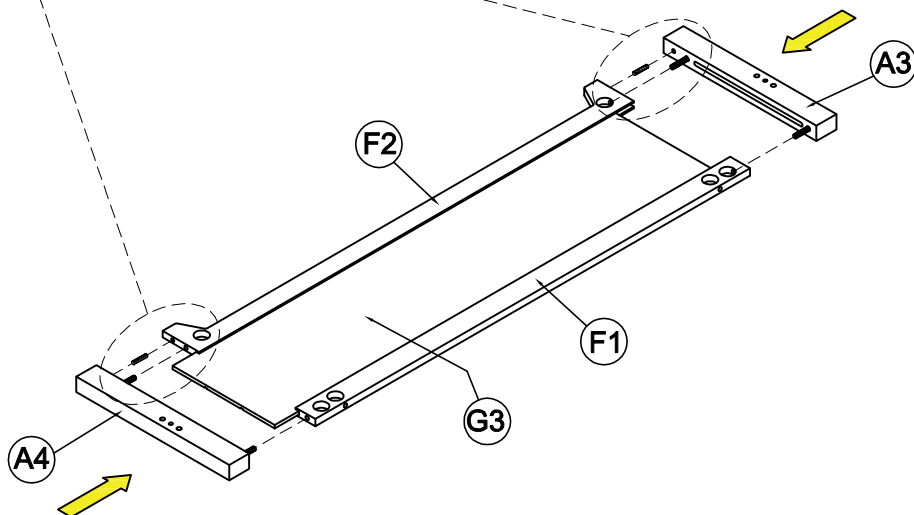
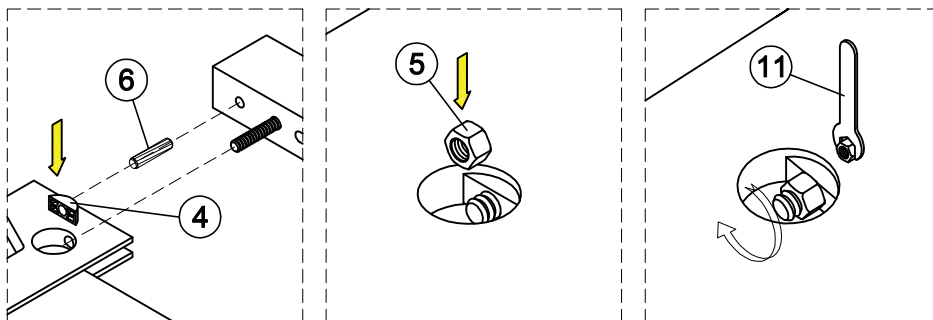


Hexagonal screw
Ø5/16" - 4pcs

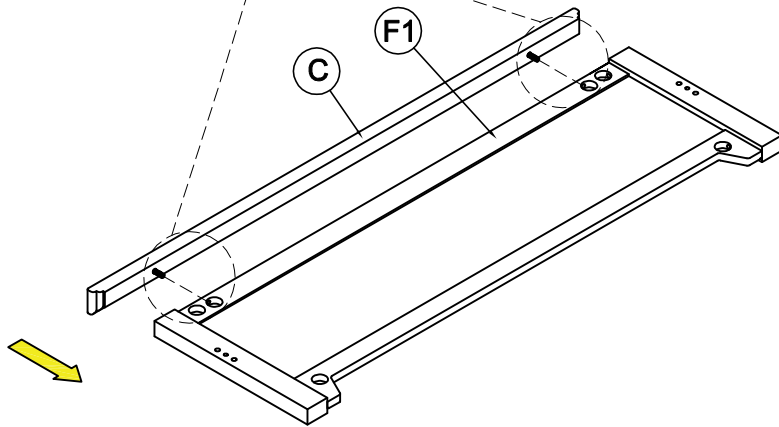
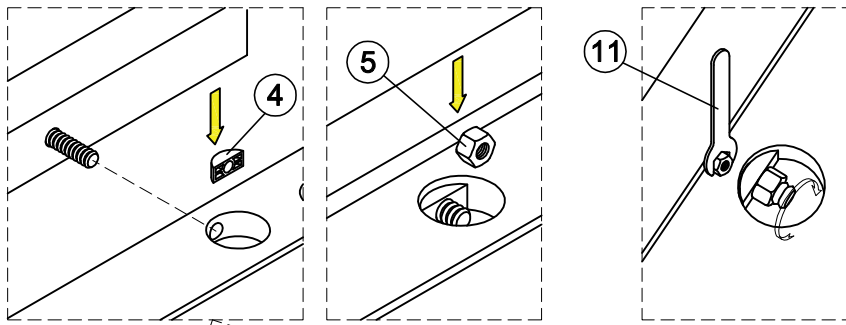
6



Wood dowel
Ø8 * 30 - 2pcs



STEP 8



4



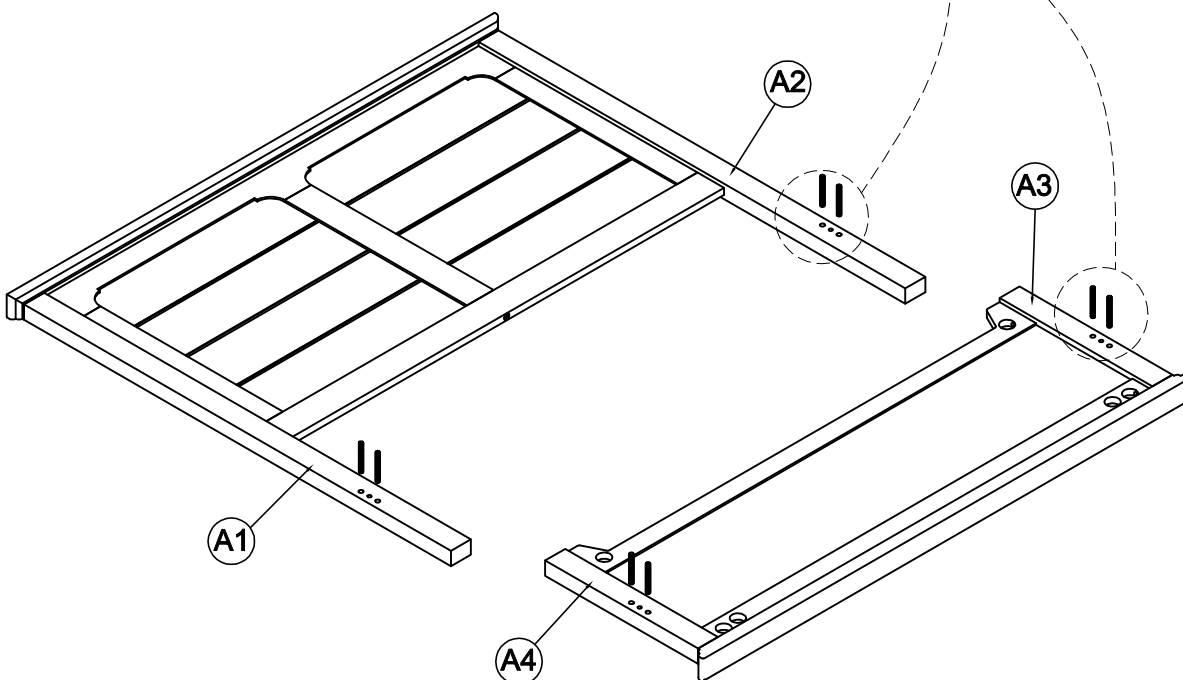
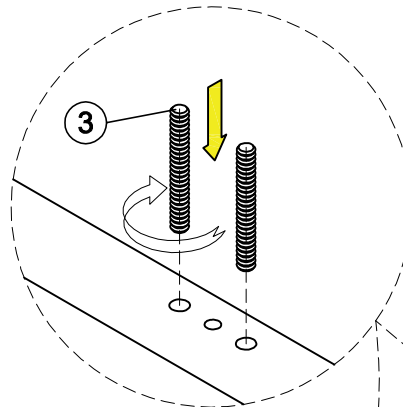
Semi - Circular
Ø5/16" - 2pcs

5



Hexagonal screw
Ø5/16" - 2pcs

STEP 9



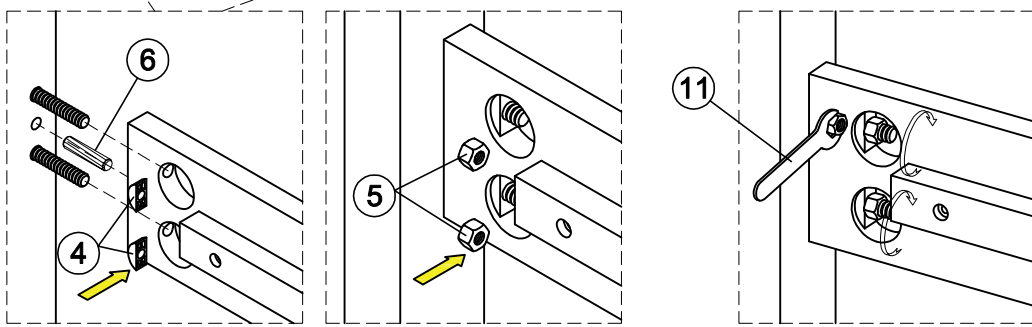
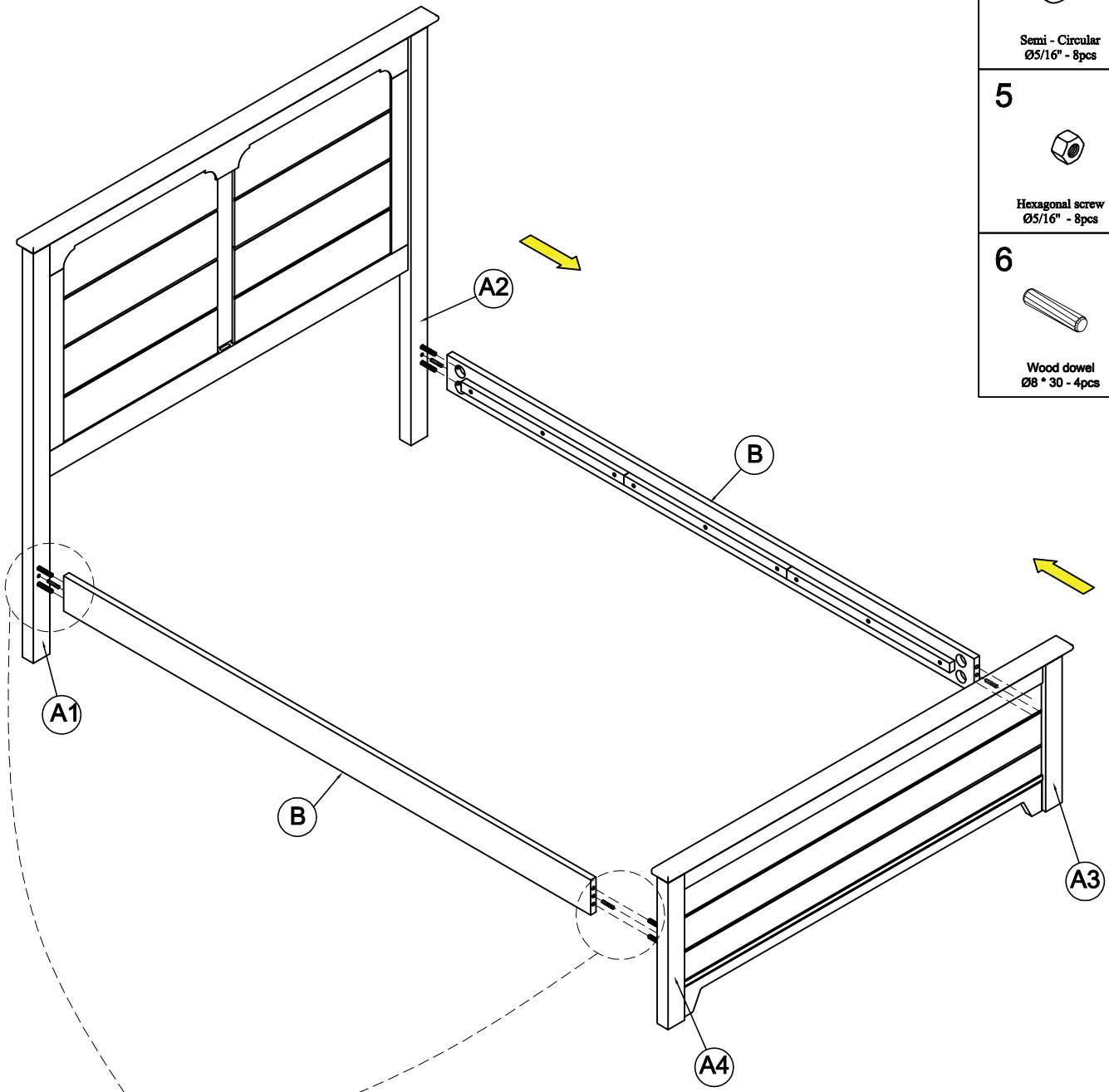
3



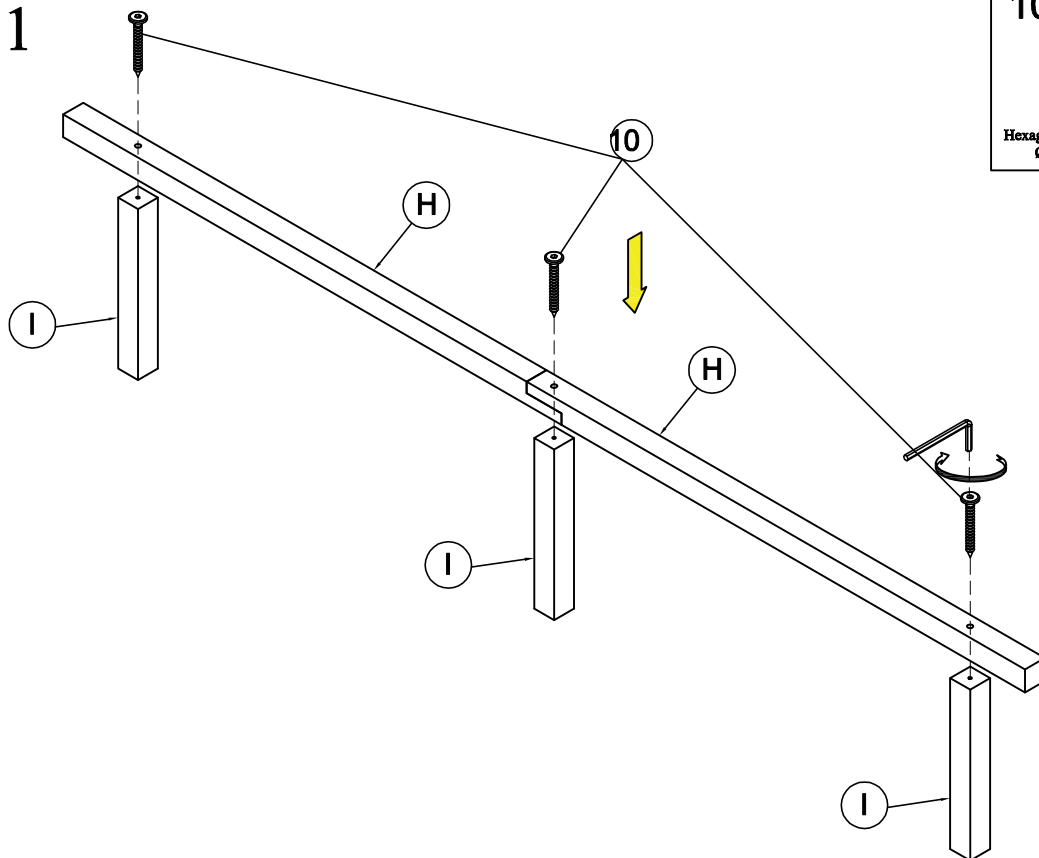
Threaded bolt
Ø5/16" * 80 - 8pcs

STEP 10

- 4 
Semi - Circular
Ø5/16" - 8pcs
- 5 
Hexagonal screw
Ø5/16" - 8pcs
- 6 
Wood dowel
Ø8 * 30 - 4pcs



STEP 11

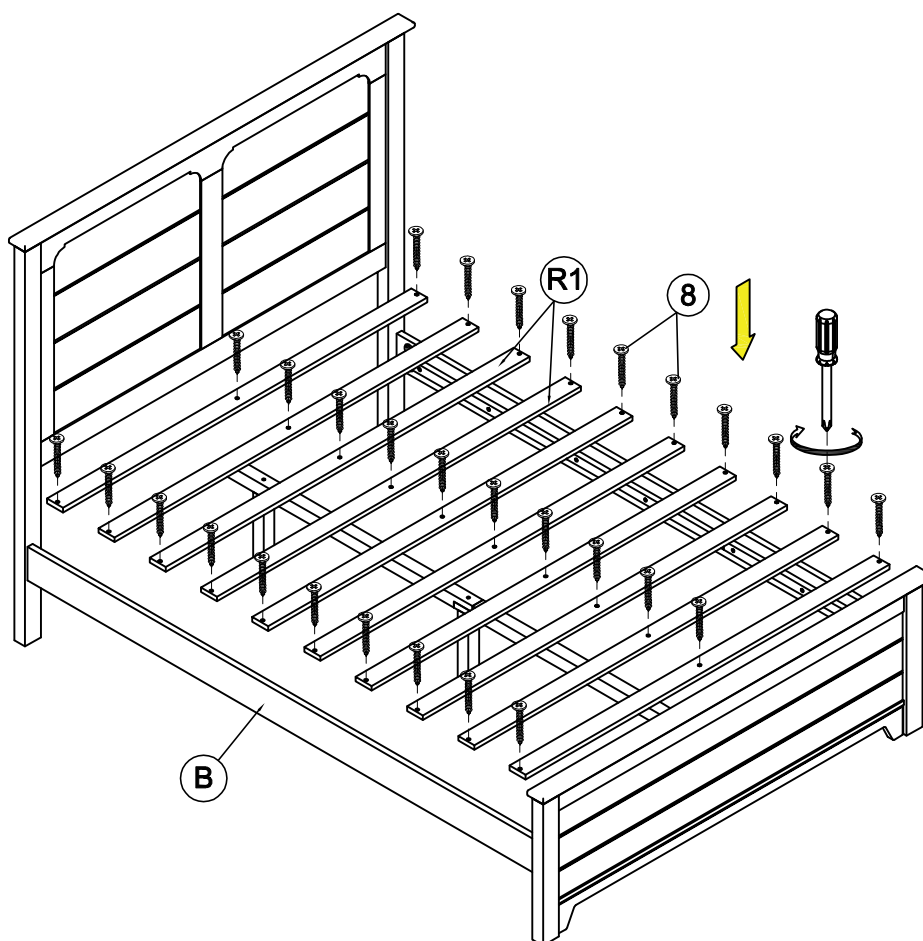


10



Hexagonal bolts catch wood
Ø1/4" * 70 - 3pcs

STEP 12



8



Wood screws
M4 * 30 - 30pcs

COMPLETED

