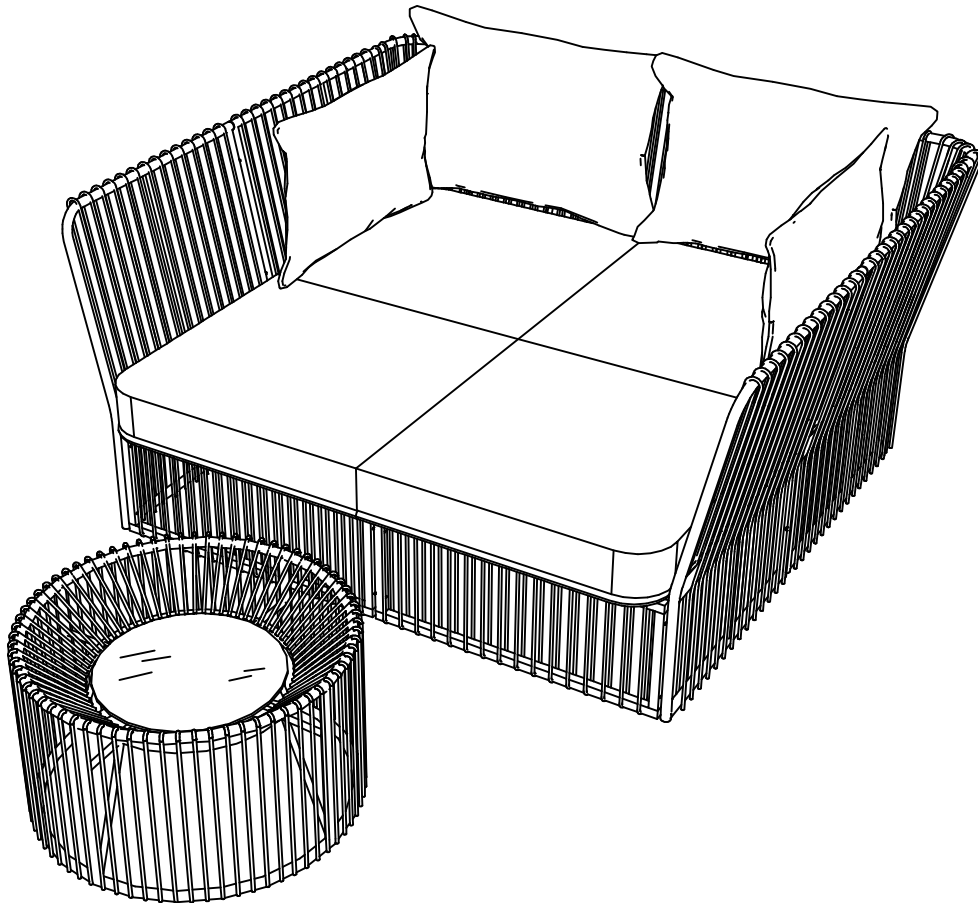


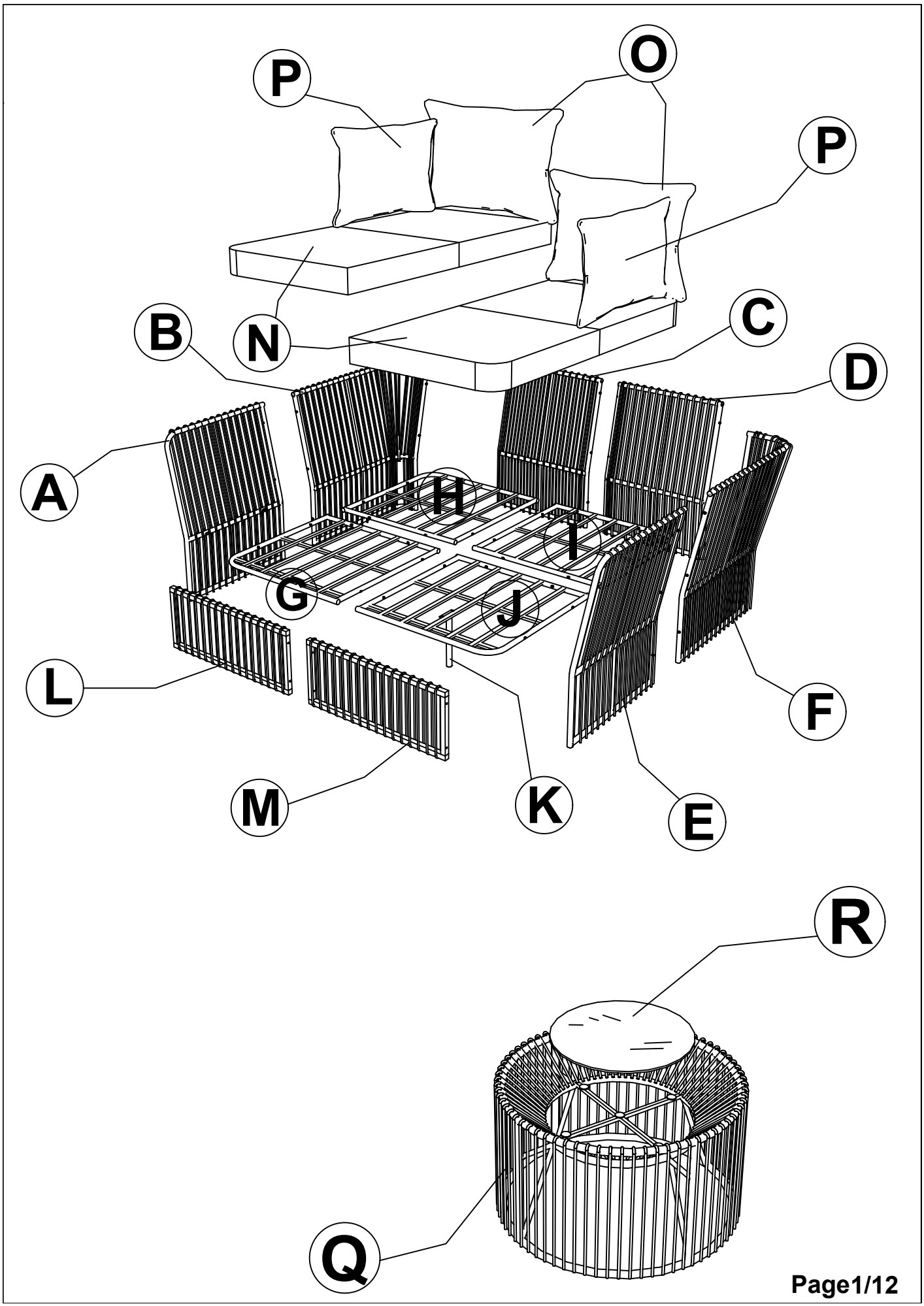
# ASSEMBLY INSTRUCTION

## OUTDOOR SUNBED

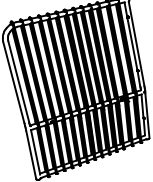





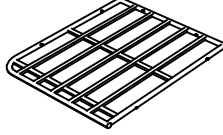
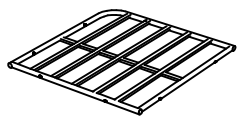
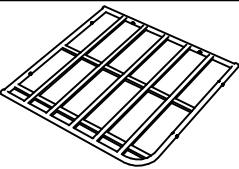
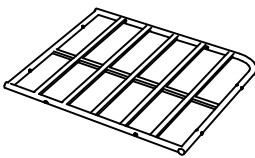

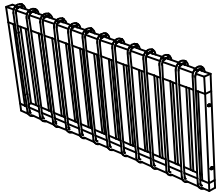
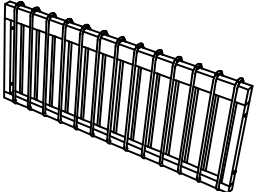
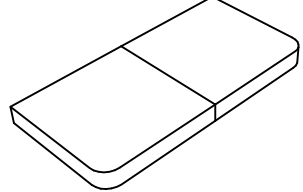
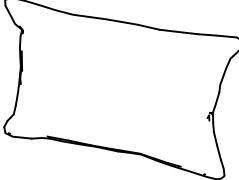
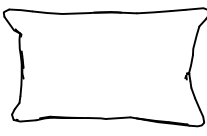
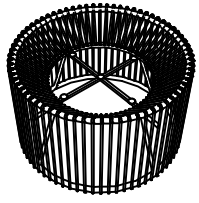



**Please read all instructions carefully:**


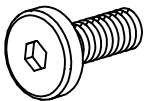
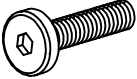
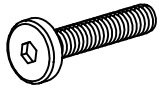
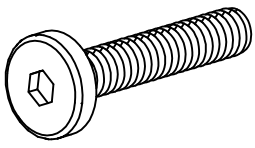
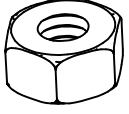

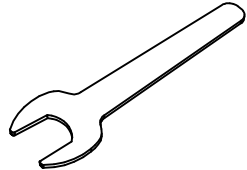
- 1. Have 2 adults on hand for assembly.**
- 2. 50% Tighten before fixing all screws, Allen wrench is recommended instead of an electric drill.**
- 3. Place the item on a flat ground to adjust and make sure it remains stable.**
- 4. Tighten up all screws with tools gradually.**
- 5. If the screws are not aligned with holes during assembly, please loosen all the other screws to 50% and continue the assembly process.**
- 6. If the item is not stable, please loosen all the screws, adjust it on a flat ground and tighten up all screws again.**
- 7. Note : If one or some screws are fully tightened during assembly, chances are the others will not be aligned with holes. In addition, all the holes are designed to be relatively larger to provide more space for the adjustment of the screws.**



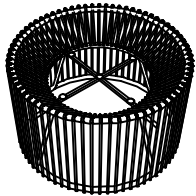
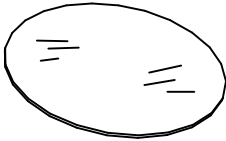
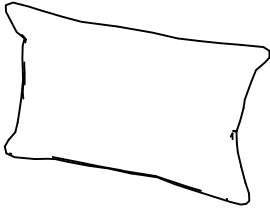
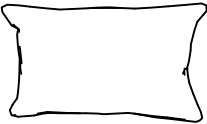
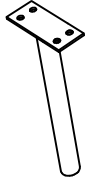

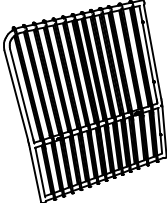
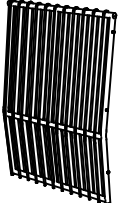


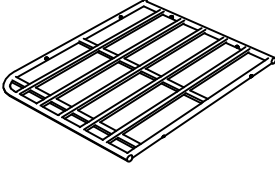
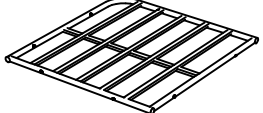
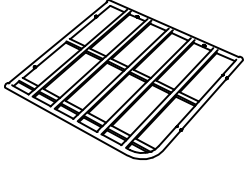
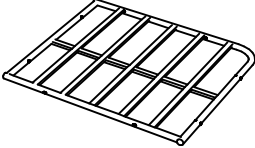
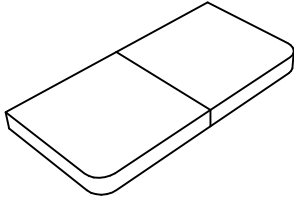

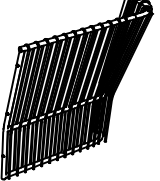
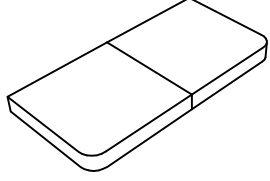
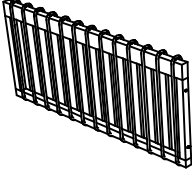
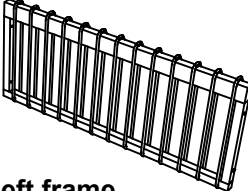

# PART LIST

			
<b>Ax1</b> Right front frame	<b>Bx1</b> Right back frame	<b>Cx1</b> Back right frame	<b>Dx1</b> Back left frame
			
<b>Ex1</b> Left front frame	<b>Fx1</b> Left back frame	<b>Gx1</b> Right front seat frame	<b>Hx1</b> Right back seat frame
			
<b>Ix1</b> Left front seat frame	<b>Jx1</b> Left back seat frame	<b>Kx1</b> Leg	<b>Lx1</b> Right frame
			
<b>Mx1</b> Left frame	<b>Nx2</b> Seat cushion	<b>Ox2</b> Big pillow	<b>Px2</b> Small pillow
			
<b>Qx1</b> Table	<b>Rx1</b> Glass		

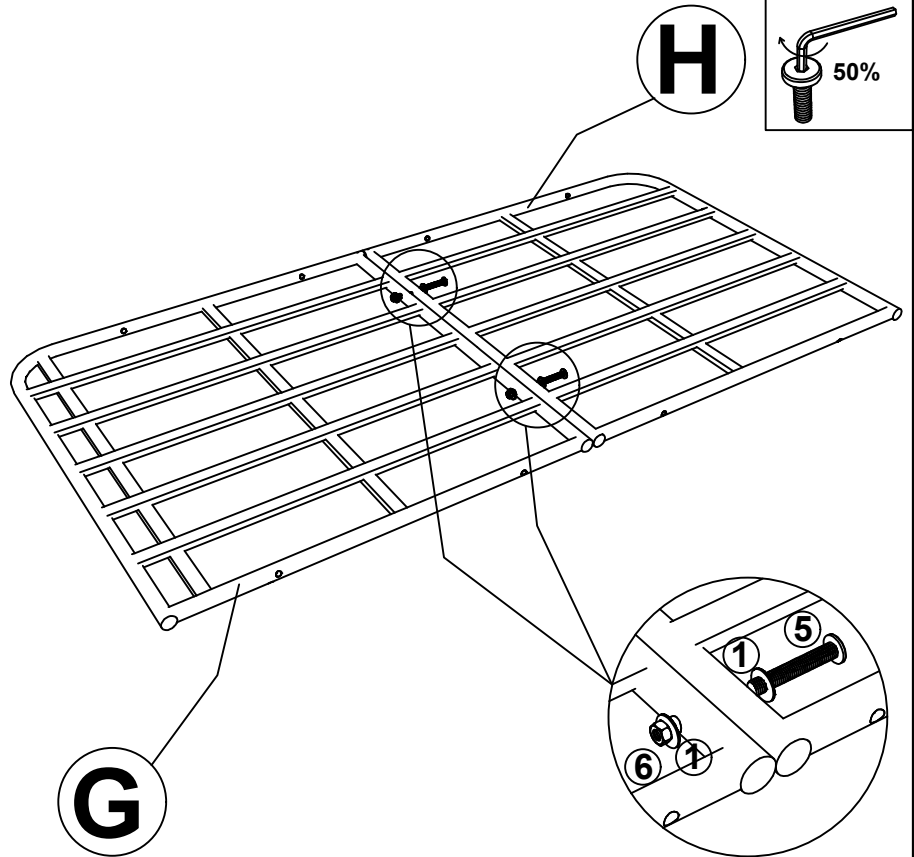
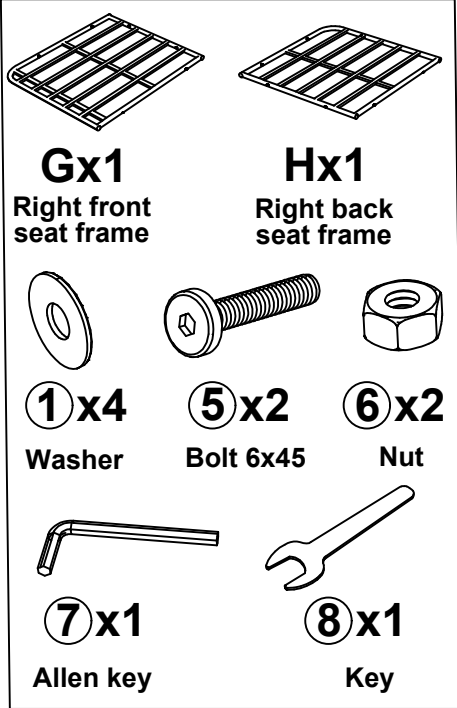
# HARDWARE LIST

			
<b>1- Washer : 57 pcs</b> Extra : 2 pcs	<b>2-Bolt 6x15 : 4 pcs</b> Extra : 1 pcs	<b>3-Bolt 6x35:22 pcs</b> Extra : 2 pcs	<b>4-Bolt 6x40:15 pcs</b> Extra : 2 pcs
			
<b>5-Bolt 6x45 : 8 pcs</b> Extra : 1 pcs	<b>6-Nut : 8 pcs</b> Extra : 1 pcs	<b>7- Allen key : 2 pcs</b>	<b>8- Key : 1 pcs</b>

# CARTON CONTENT :

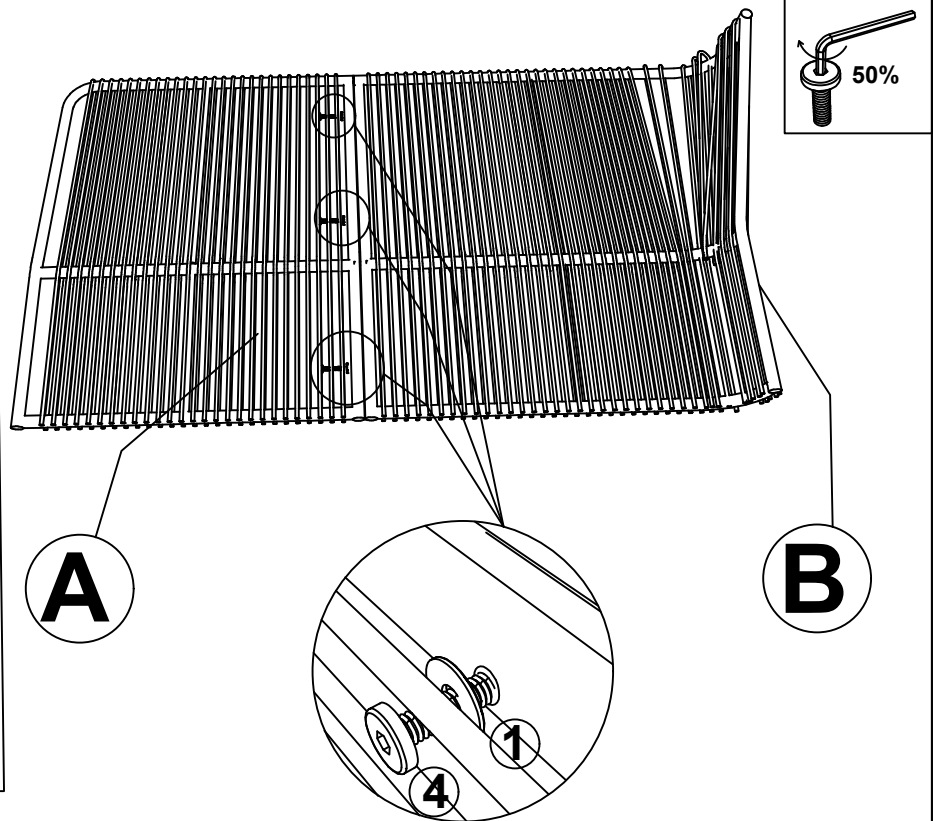
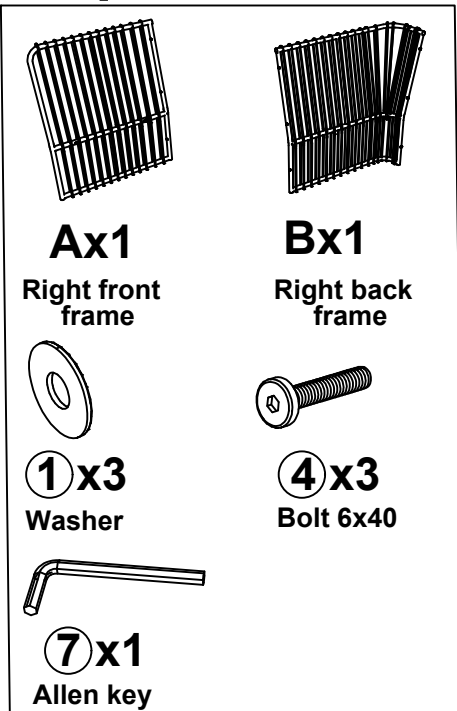
 <p><b>Qx1</b> Table</p>	 <p><b>Rx1</b> Glass</p>	 <p><b>Ox1</b> Big pillow</p>
 <p><b>Px2</b> Small pillow</p>	 <p><b>Kx1</b> Leg</p>	 <p>Hardware</p>
 <p><b>Ax1</b> Right front frame</p>	 <p><b>Cx1</b> Back right frame</p>	 <p><b>Dx1</b> Back left frame</p>
 <p><b>Ex1</b> Left front frame</p>	 <p><b>Gx1</b> Right front seat frame</p>	 <p><b>Hx1</b> Right back seat frame</p>
 <p><b>Ix1</b> Left front seat frame</p>	 <p><b>Jx1</b> Left back seat frame</p>	 <p><b>Nx1</b> Seat cushion</p>
 <p><b>Bx1</b> Right back frame</p>	 <p><b>Fx1</b> Left back frame</p>	 <p><b>Nx1</b> Seat cushion</p>
 <p><b>Lx1</b> Right frame</p>	 <p><b>Mx1</b> Left frame</p>	 <p><b>Ox1</b> Big pillow</p>

# Step 1



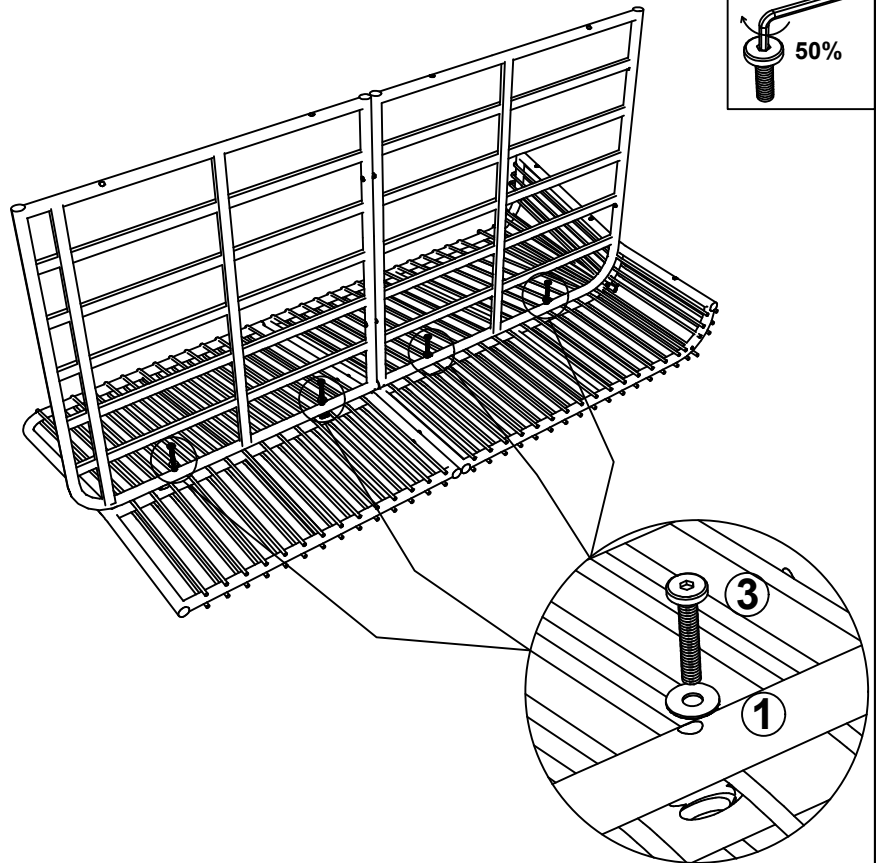
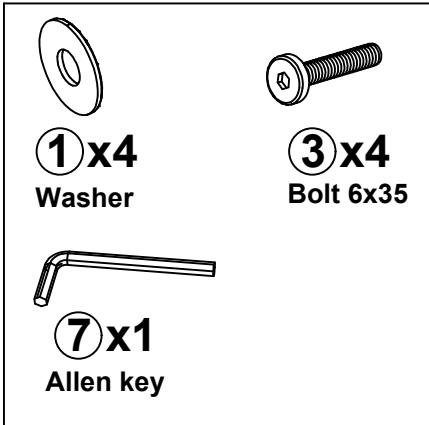
Connect The Right front seat frame (G) & Right back seat frame (H), tighten Bolt (5), Nut (6), Flat Washer (1) With Allen key (7), Key (8)

# Step 2



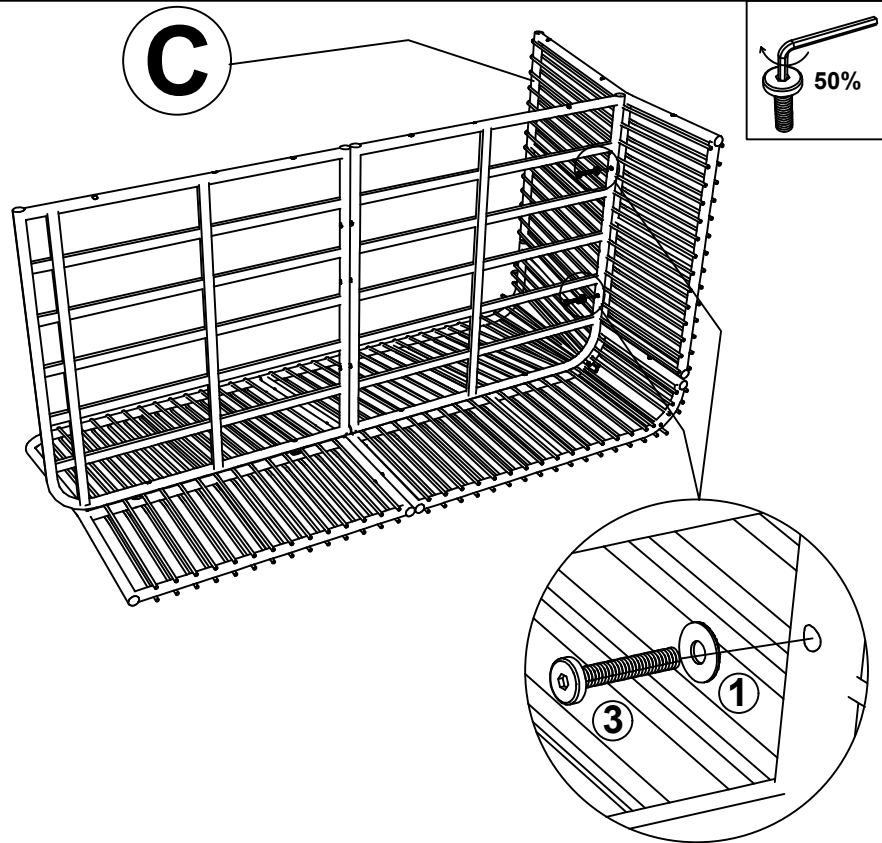
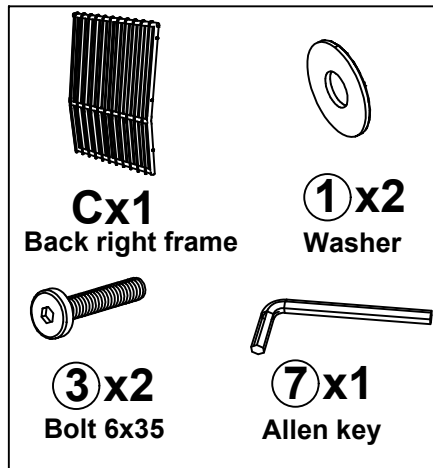
Connect The Right front frame (A) & Right back frame (B), tighten Bolt (4), Flat Washer (1) With Allen key (7)

# Step 3



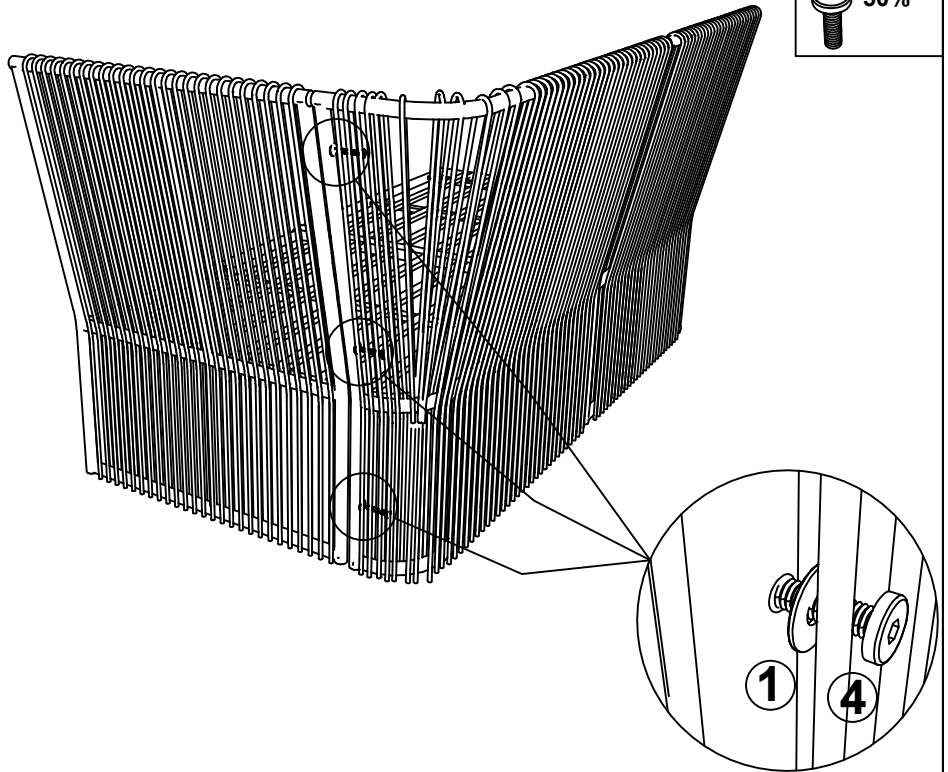
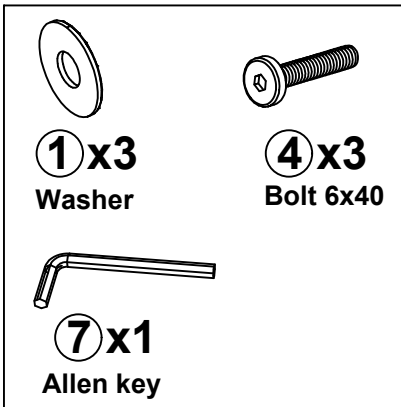
Connect The part from Step (1) & part from Step (2), tighten Bolt (3), Flat Washer (1) With Allen key (7)

# Step 4



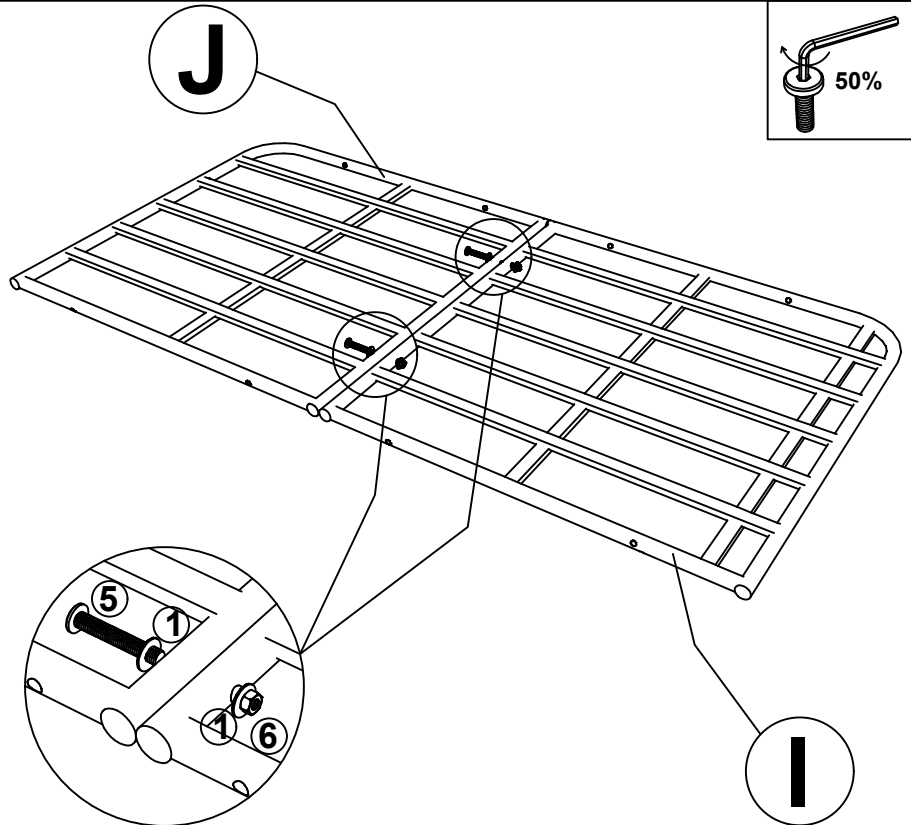
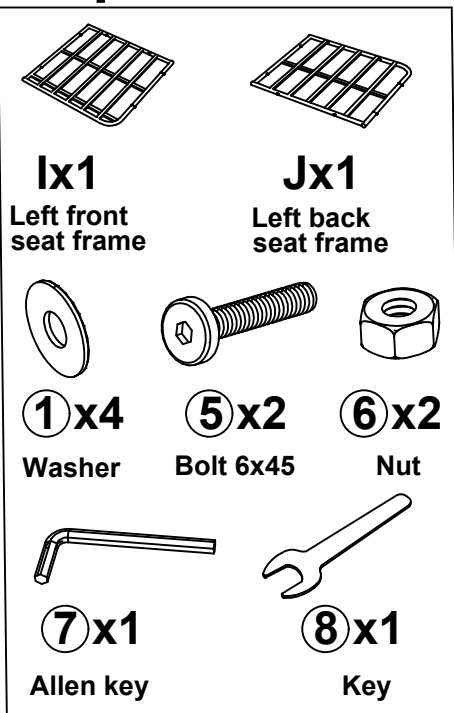
Connect The part from Step (3) & Back right frame (C), tighten Bolt (3), Flat Washer (1) With Allen key (7)

# Step 5



Tighten Bolt (4), Flat Washer (1) With Allen key (7)




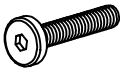

# Step 6

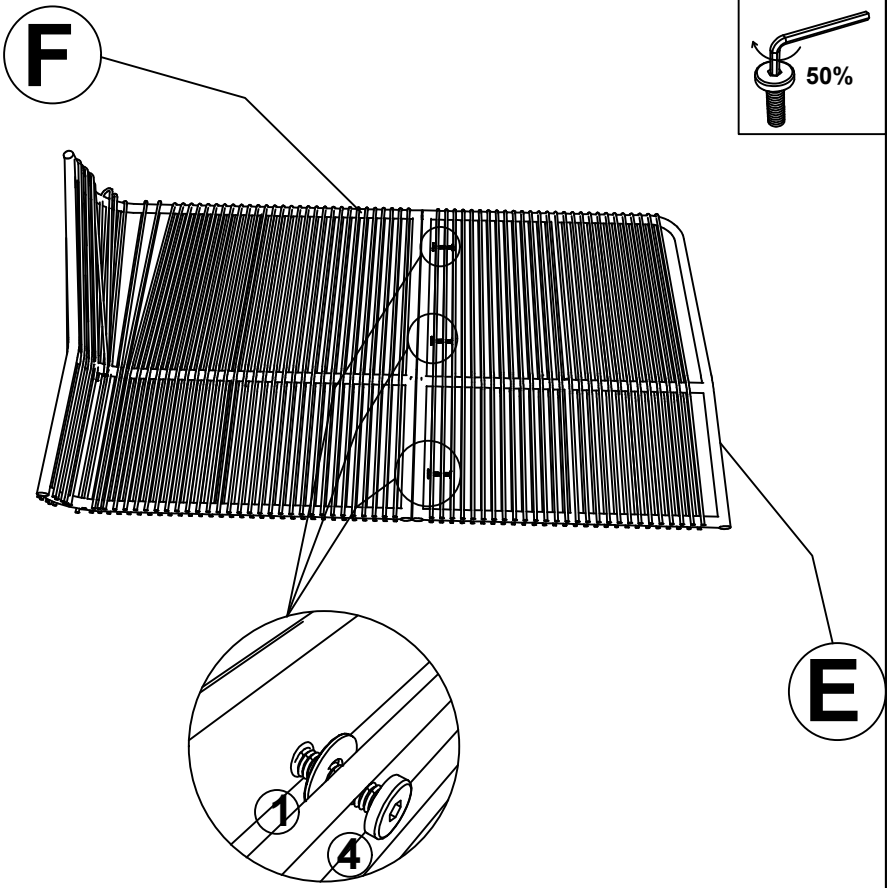


Connect The Left front seat frame (I) & Left back seat frame (J), tighten Bolt (5), Nut (6), Flat Washer (1) With Allen key (7), Key (8)

# Step 7




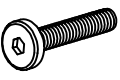

	
<b>Ex1</b> Left front frame	<b>Fx1</b> Left back frame
	
<b>1x3</b> Washer	<b>4x3</b> Bolt 6x40
	
<b>7x1</b> Allen key	

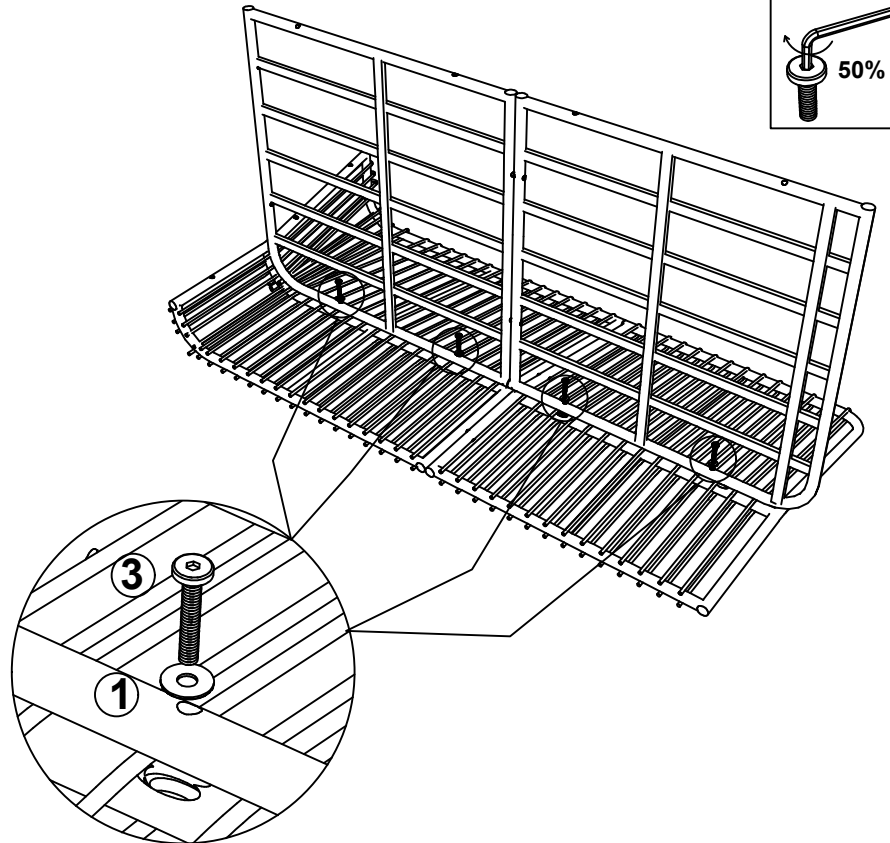


Connect The Left front frame (E) & Left back frame (F), tighten Bolt (4), Flat Washer (1) With Allen key (7)

# Step 8

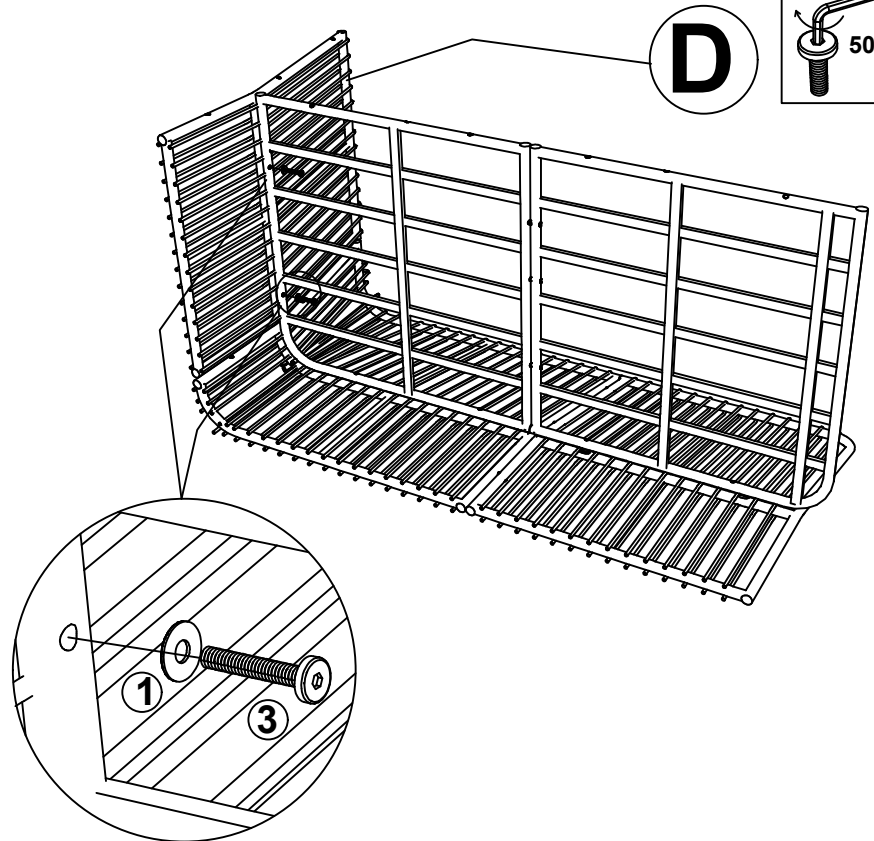
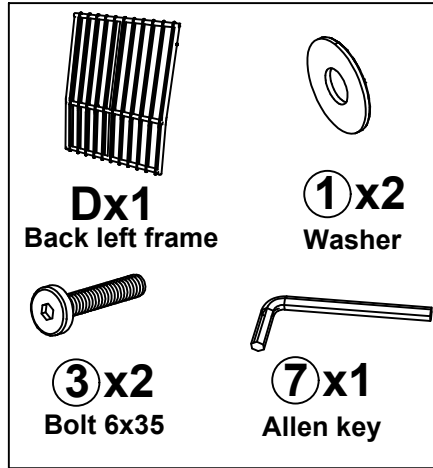


	
<b>1x4</b> Washer	<b>3x4</b> Bolt 6x35
	
<b>7x1</b> Allen key	



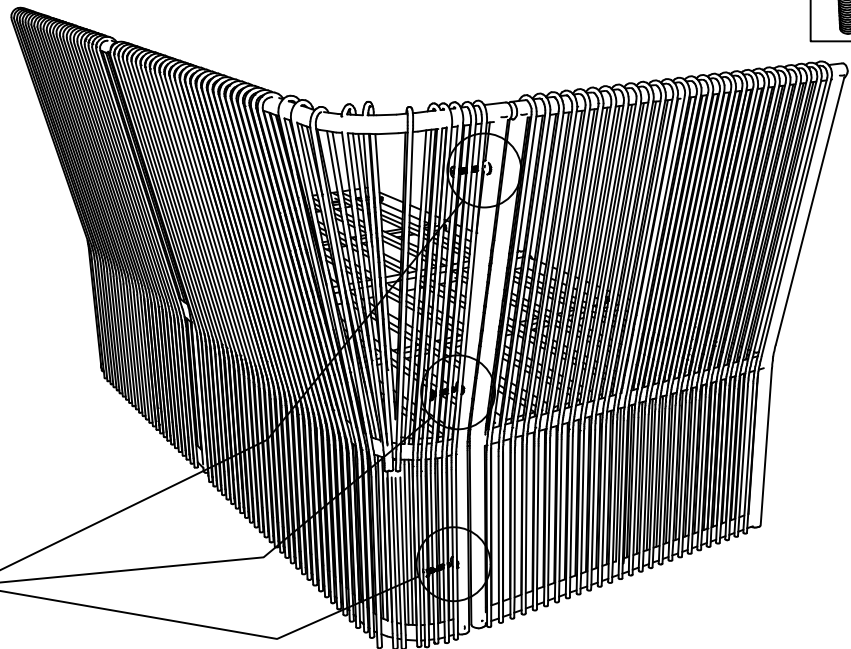
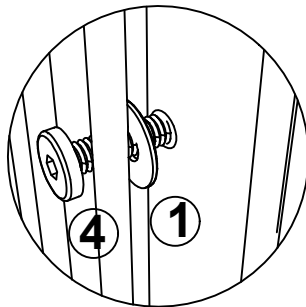
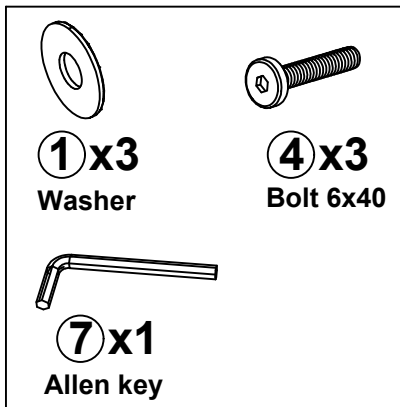
Connect The part from Step (6) & part from Step (7), tighten Bolt (3), Flat Washer (1) With Allen key (7)

## Step 9



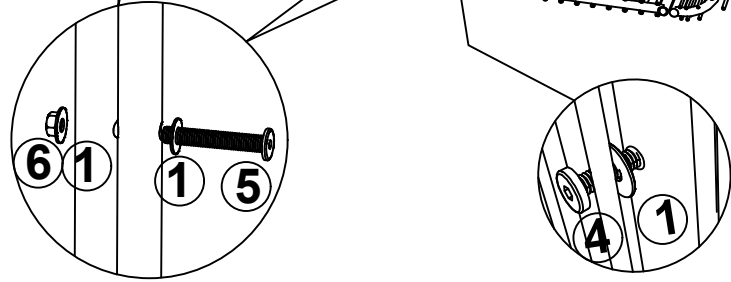
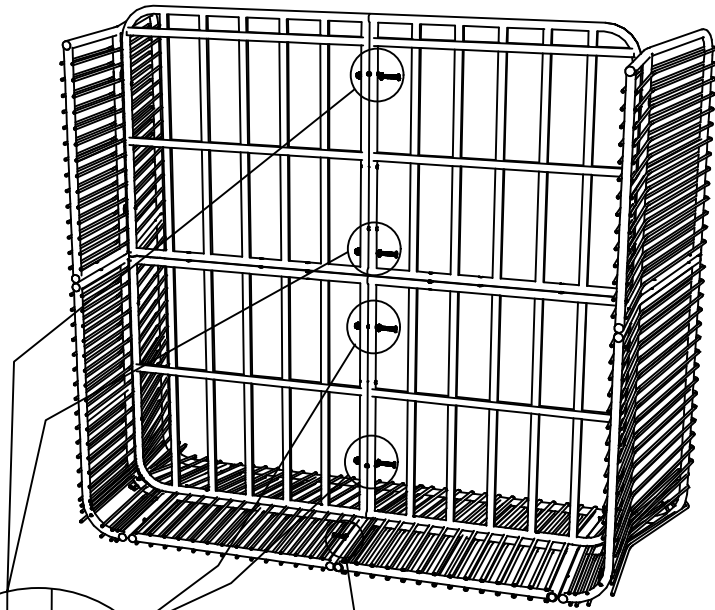
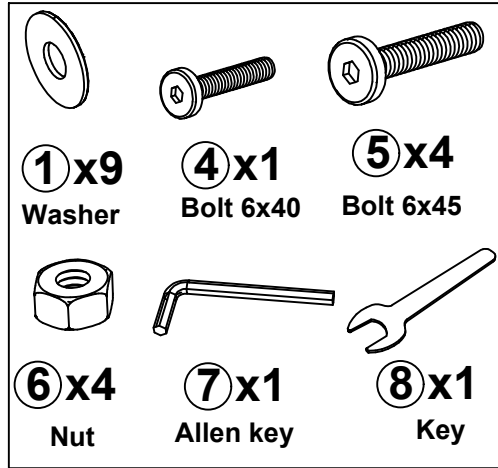
Connect The part from Step (8) & Back left frame (D), tighten Bolt (3), Flat Washer (1) With Allen key (7)

## Step 10



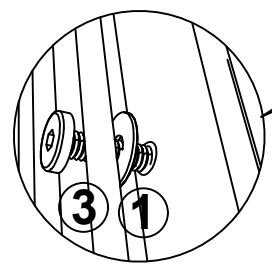
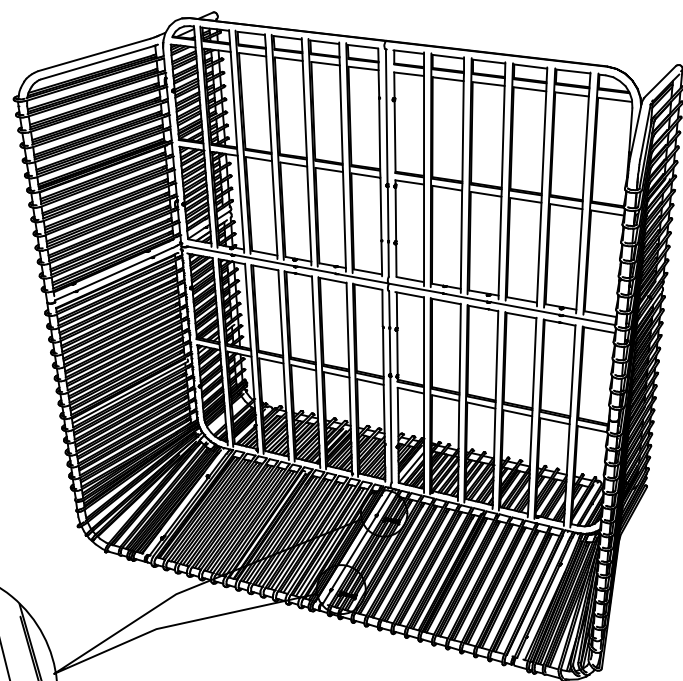
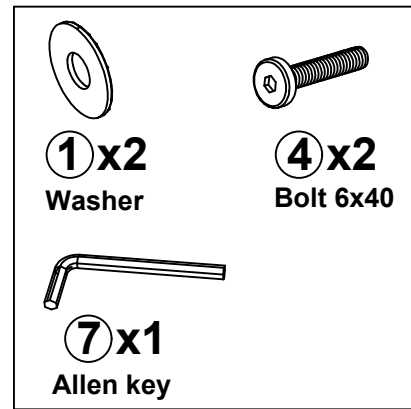
Tighten Bolt (4), Flat Washer (1) With Allen key (7)

# Step 11



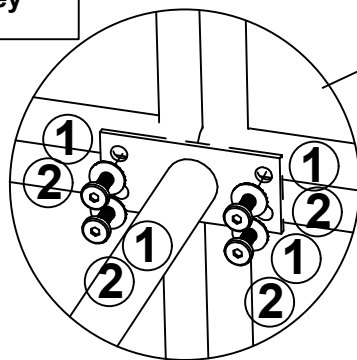
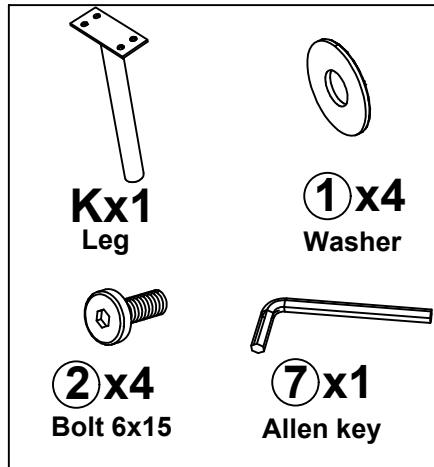
Connect The part from Step (5) & part from Step (10), tighten Bolt (4), Bolt (5), Nut (6), Flat Washer (1) With Allen key (7), Key (8)

# Step 12



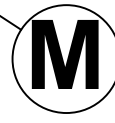
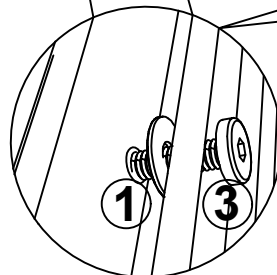
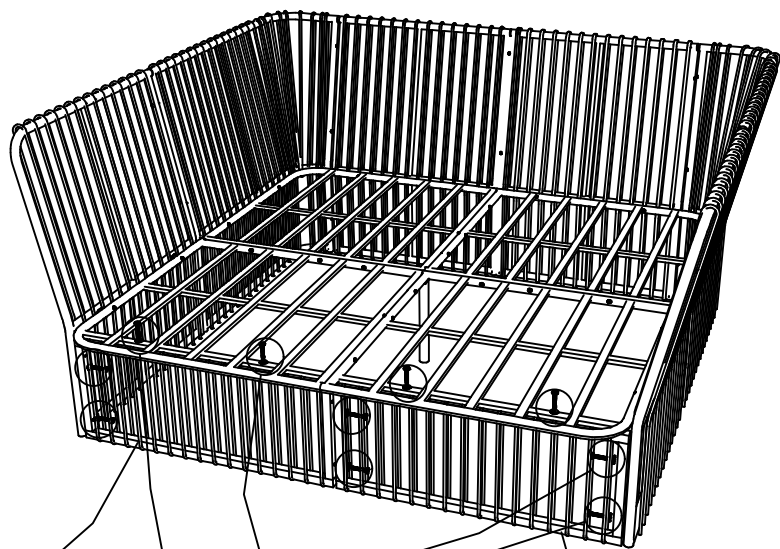
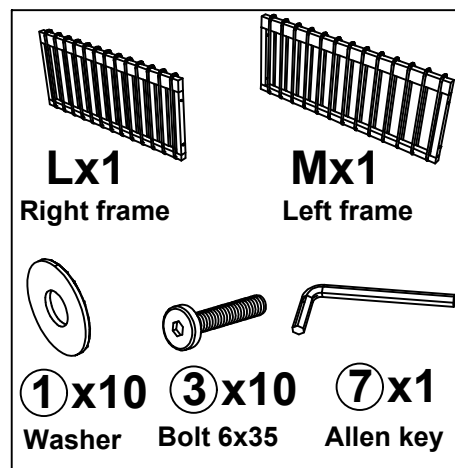
Tighten Bolt (4), Flat Washer (1) With Allen key (7)

# Step 13



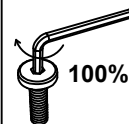
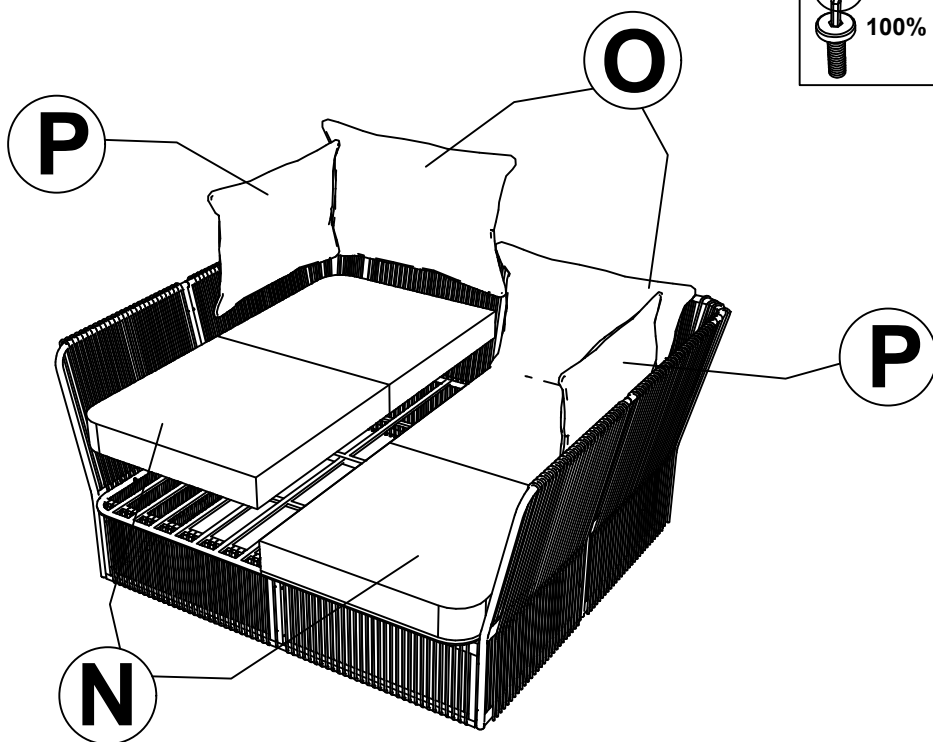
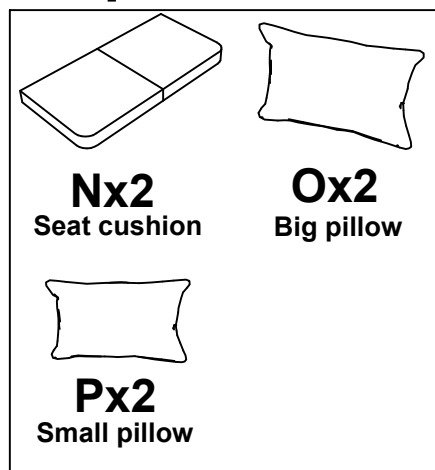
Connect The part from Step (12) & Leg (K), tighten Bolt (2), Flat Washer (1) With Allen key (7)

# Step 14



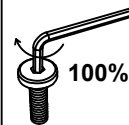
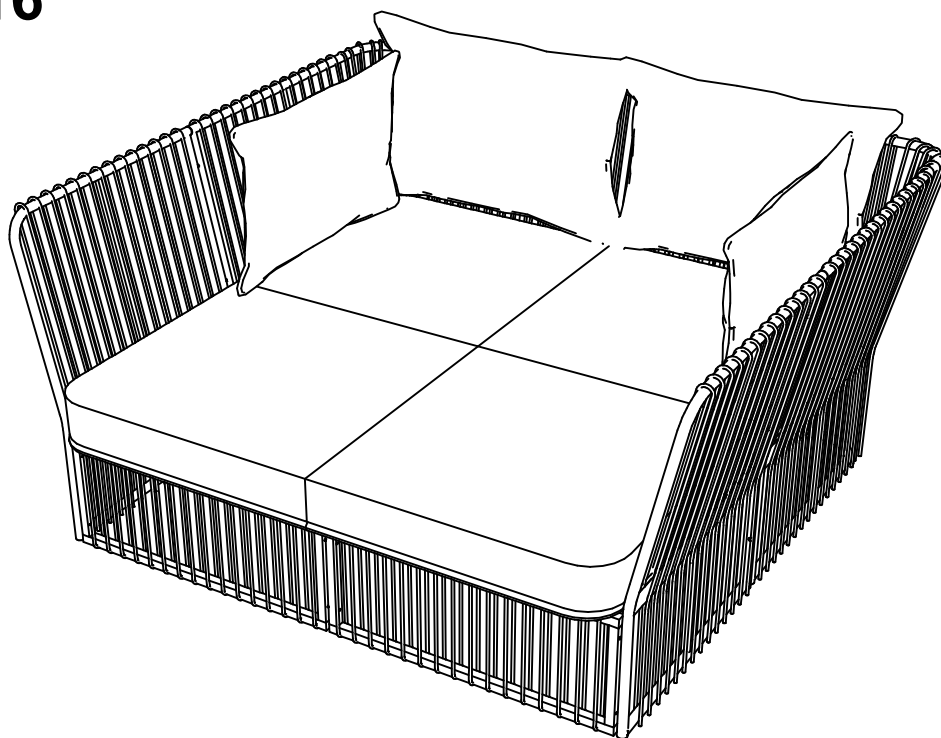
Connect The part from Step (13) & Right frame (L) & Left frame (M), tighten Bolt (3), Flat Washer (1) With Allen key (7)

## Step 15



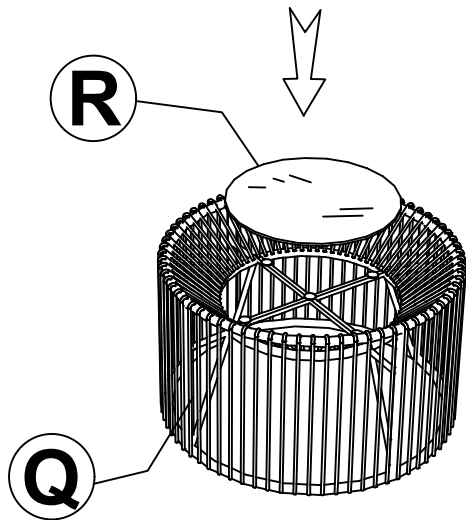
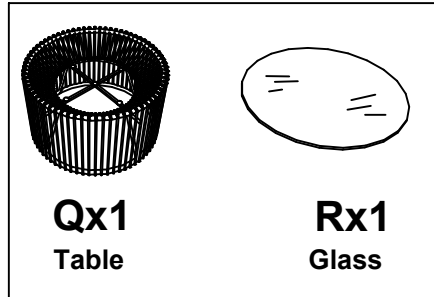
Put on Seat cushion (N), Big pillow (O), Small pillow (P), to bed to finish bed

## Step 16

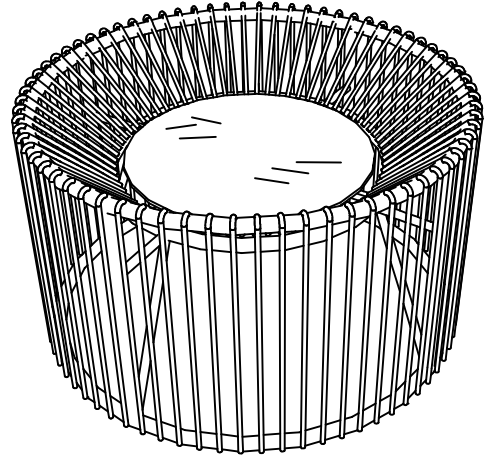


Finish Sunbed

## Step 17



Put on Glass (R) to Table (Q) to finish



## Step 18

