

>>assembly instructions

Congratulations on your latest HomePop purchase.

Now what? Don't start sweating over this box of parts. This will be easy. We did the hard work for you. All you need to do is follow our simple instructions and you'll be on your way to transforming your room in no time. Good luck --though we're confident you won't need it.

## **before you begin**

1. Check for damaged or missing parts.
2. Use the carton as a working surface to prevent product damage during assembly.
3. Gather all tools prior to assembly.

# table of contents



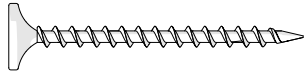
introduction	2
hardware	4
parts list	5
assembly	6

# hardware

---

(A) x 4

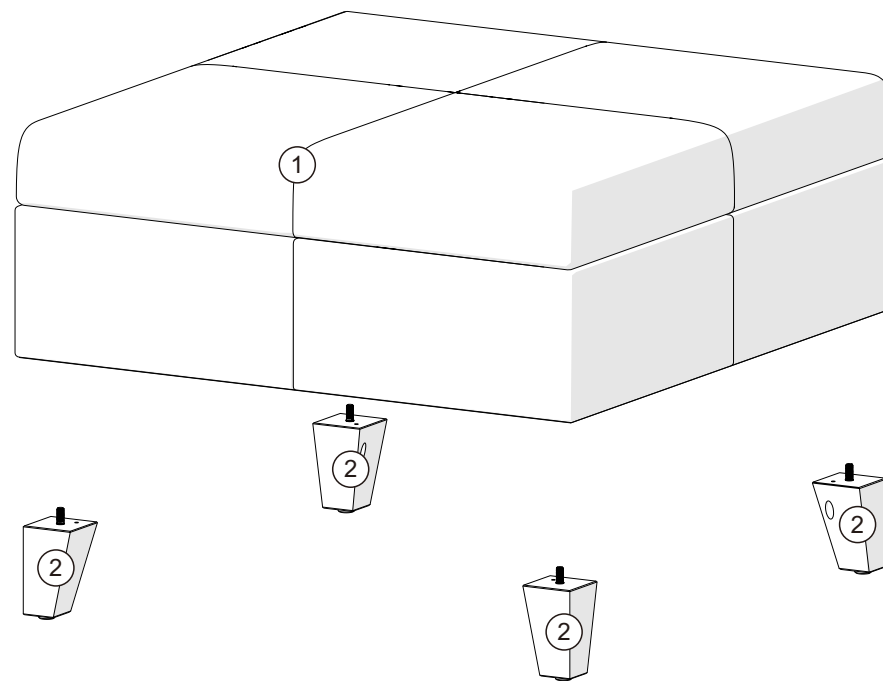
Screw Flat head 35mm



ITEM DESCRIPTION QUANTITY



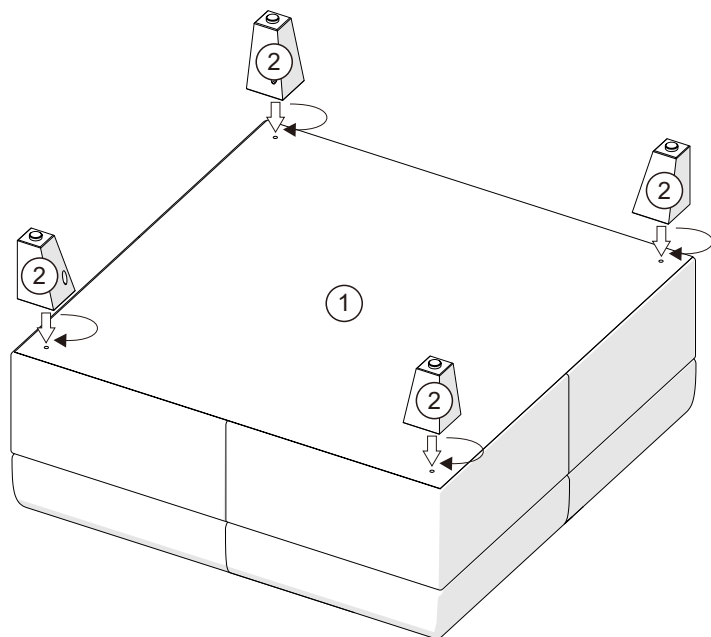
①	box	1
②	leg	4



# step 1.

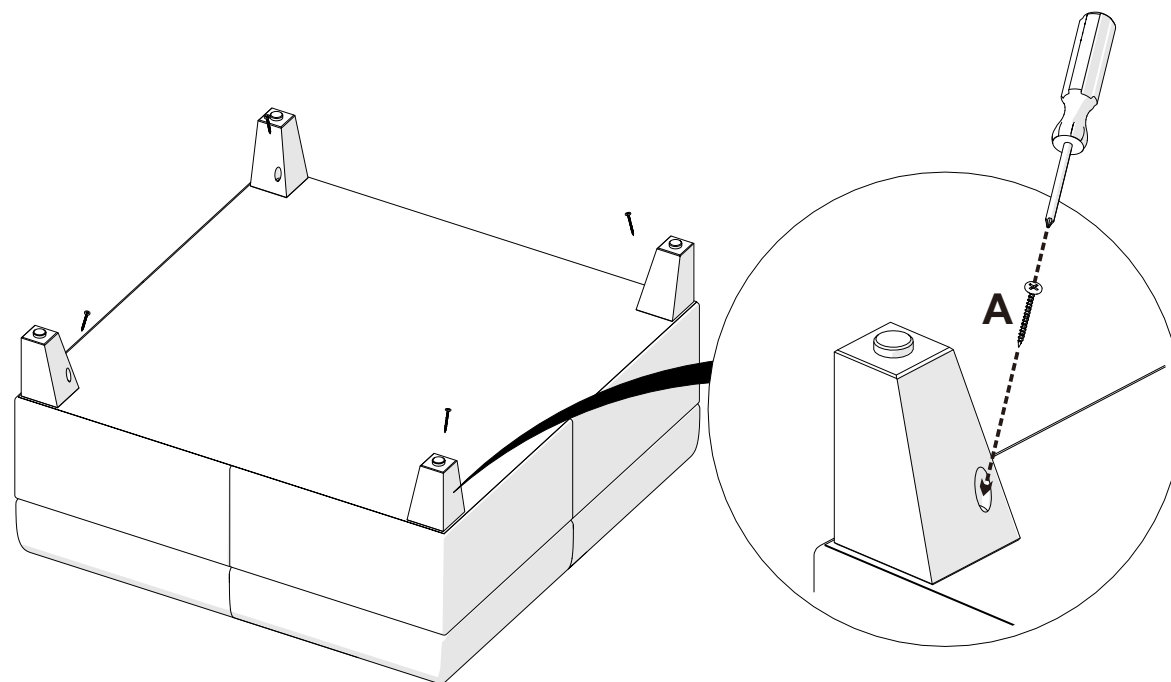
---

1



2

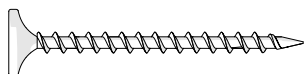
Using philip screw driver tighten all the screws.



---

(A) x 4

Screw Flat head 35mm



OK to Assemble with power Tools

