

**INSTRUCTION MANUAL ENCLOSED**

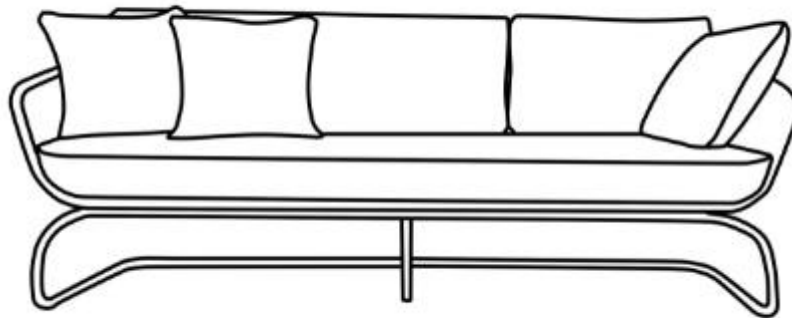
**ATTENTION**

**IF YOU HAVE ANY PROBLEMS OR QUESTIONS, EMAIL OR CALL CUSTOMER SERVICE BEFORE YOU RETURN THIS PRODUCT TO THE STORE WHERE IT WAS PURCHASED.**

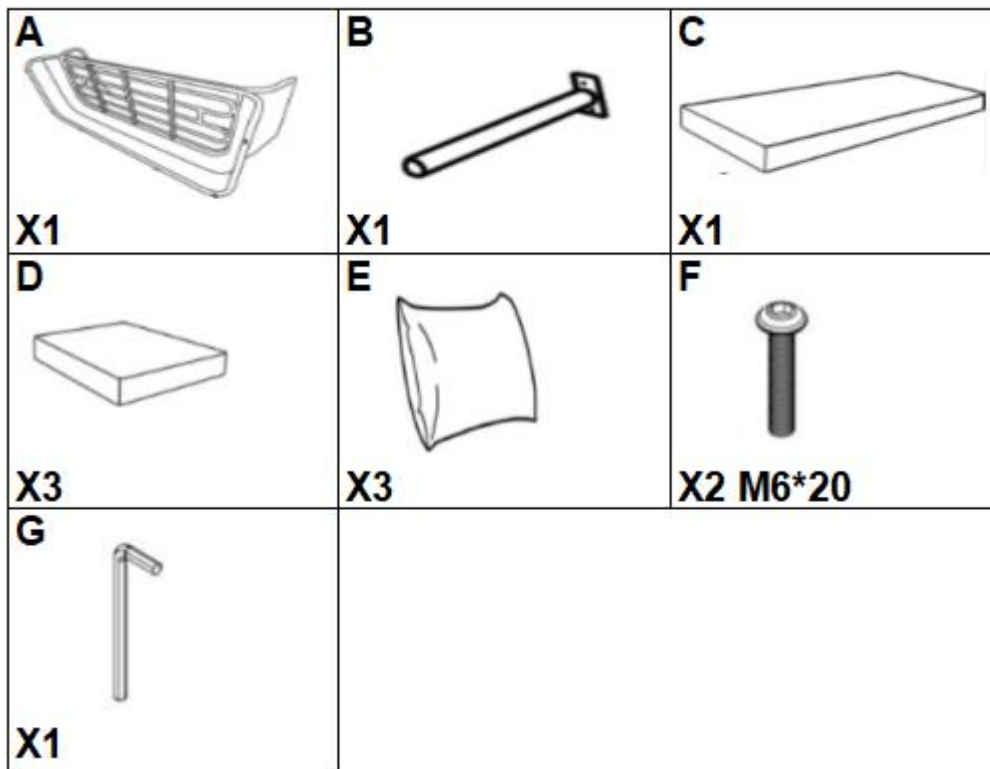
**INSTRUCTION MANUAL ENCLOSED**

**OUTDOOR SOFA**

**OUTDOOR SOFA ASSEMBLY INSTRUCTION**



PARTS LIST		
Part	Description	Quantity
	<b>PARTS</b>	
A	Sofa Frame	1
B	Middle Leg	1
C	Seat Cushion	1
D	Back Cushion	3
E	Pillow	3
	<b>HARDWARE</b>	
F	Bolts M6*20	2
G	Allen Key	1

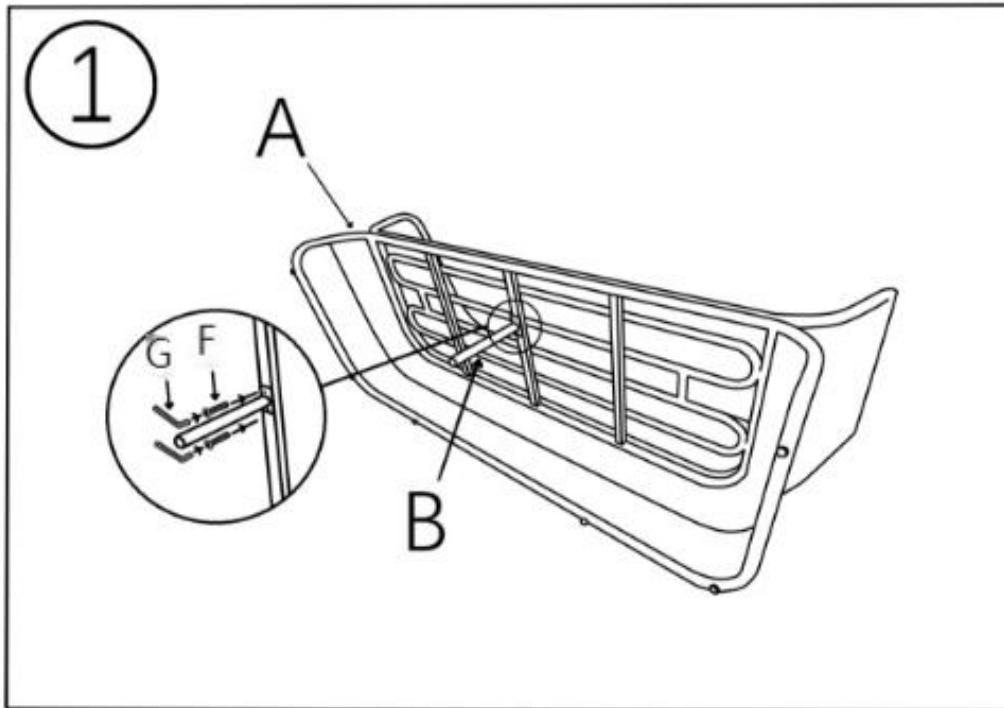


**PLEASE READ AND FOLLOW ALL SAFETY TIPS**

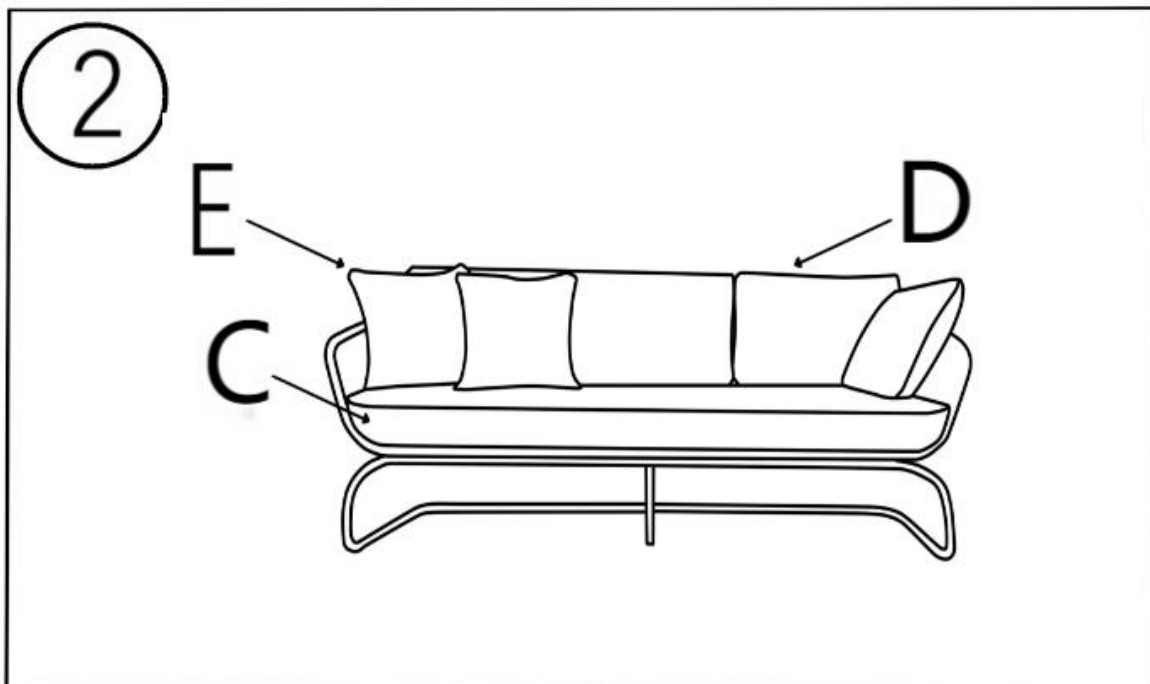
**Warm Tips:**

1. The plastic covers on some metal parts are just for product protection. Please remove it before assembly.
2. Please follow the sequence of AI during assembly.
3. Do not tighten the screws until all of them are in right positions.

1. Position Middle Leg (B) to the Sofa Frame (A) by the pre-drilled threads. Use Allen Key(G) to fasten Bolts(F). Each Middle Leg (B) should have 2 bolts fastened. (Photo 1)



2. Place Back Cushion (D) 、 Pillow (E) and Seat cushion(C) on the assembled sofa as shown. (Photo 2)



You have completed assembling the furniture – enjoy!