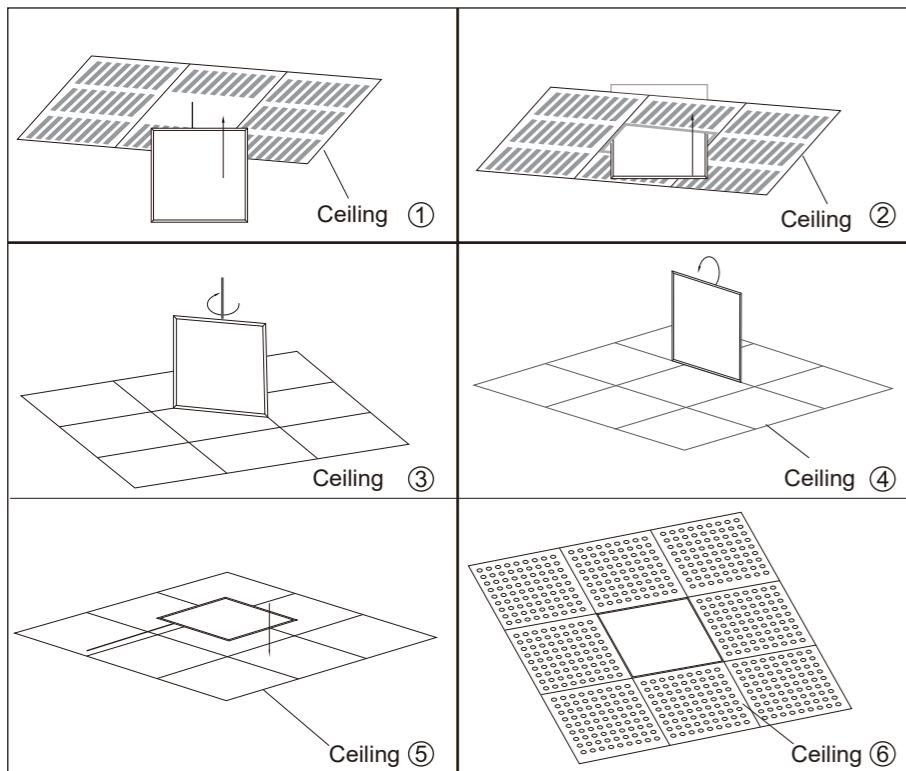


2.4G RF Dim & CCT Selectable LED Panel (Can be set lights as standard lighting with default 4000K)

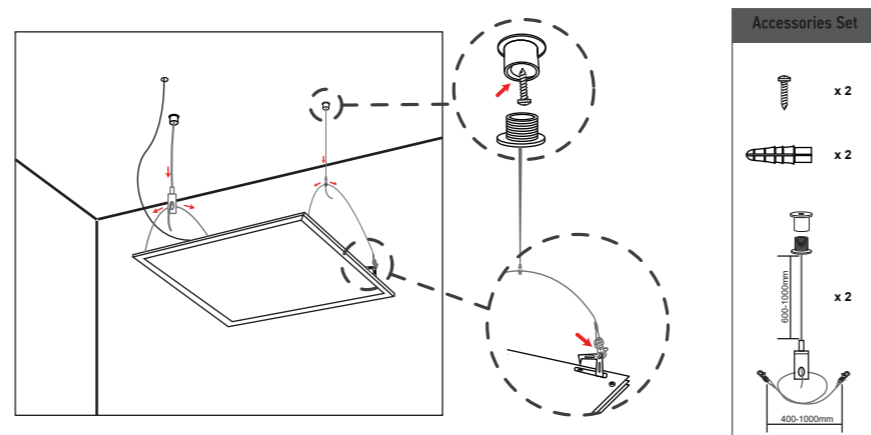
Recessed Mount



1. Ensure the panel light work well before installation, put the panel light at a diagonal position.
2. Put the driver aside and insert panel light into ceiling.
3. Rotate the panel light 45° in horizontal direction to make the front of panel face to ceiling square hole.
4. Rotate the panel light 90° in vertical direction to make it correspond to the recessed frame and front of panel face to ground.
5. Embed the panel light into ceiling, adjust it to a suitable position to make it as flat as ceiling.

2.4G RF Dim & CCT Selectable LED Panel (Can be set lights as standard lighting with default 4000K)

Suspension Mount



1. Make sure that the ceiling can hold the weight of the LED panel and install ceiling brackets suitable to support the weight of the LED panel. Fixing cables.
2. Gather panel and connect the wires as shown in "Assembling panel"
3. Attach the suspended cables to the bends at the edges of the LED flat panel.
4. Turn on the main power. installation is finished.

We appreciate your business!

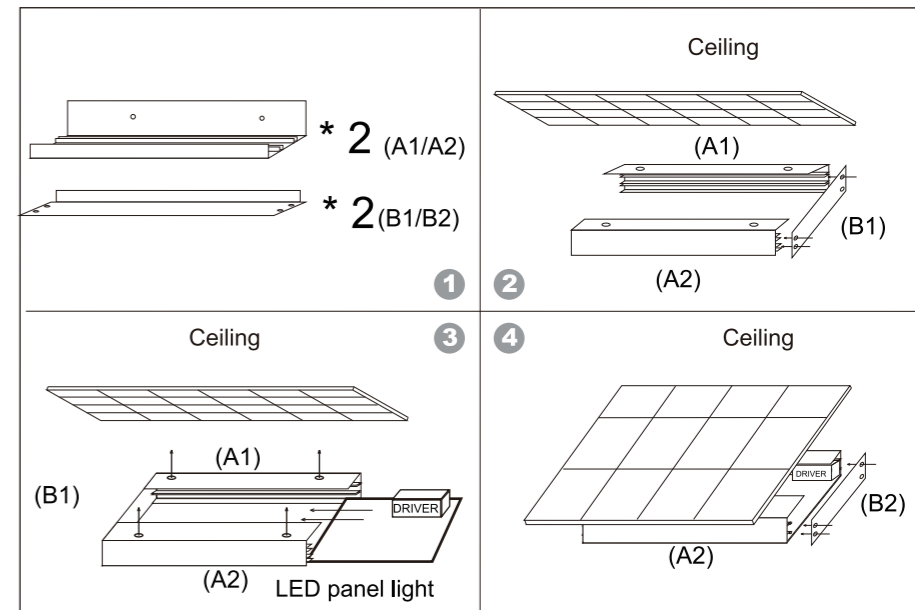
How'd we do?

Please take a moment to let us know. We will provide a FREE wall mount remote controller (mode # EEFPTL-RC-W) if you can register on our website: www.eleding.com and leave us your positive feedback at Home Depot.com. Please contact us via sales@eesgi.com to get the FREE remote!

We use your feedback to improve our operations for you and customers like you. Thanks!

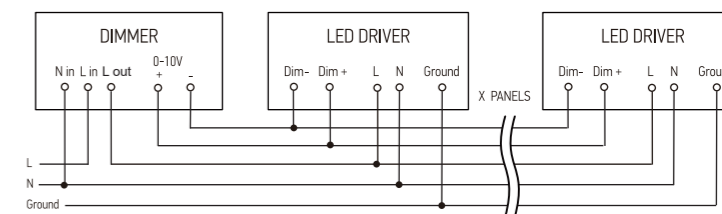
2.4G RF Dim & CCT Selectable LED Panel (Can be set lights as standard lighting with default 4000K)

Surface Mount



1. Parts A1,A2, B1,B2;
2. First install A1, A2, and B1(as illustrated);
3. As is shown in the figure,fix A1 and A2 on the ceiling or on the roof,and then insert the panel light directly (the end with power source enters later);
4. Install B2, finish installation.

Electrical Schematic Diagram



2.4G Wireless Dimming & CCT Tunable LED Panel

Product description

Product Introduction

The ultra slim panels illuminate over their complete surface brightly and highly homogeneous in white or warm white (according to version). They are out-standingly suited for coffered ceilings but can also be used as elegant interior design elements directly on walls or ceilings. The panel will not produce too much heat and no need to cooling. The homogeneously illuminated surface almost has no glare and has highly modern appearance. The use of efficient, long-life and high quality LEDs means that you save electricity and ready cash.

Product Features

Long life
Its service life is significantly longer than fluorescent lamps or other light sources.

Ecological
Saves electricity and low carbon.

Saves energy
Consumes less energy via use of efficient LEDs.

Homogeneous
Very uniform light distribution in the complete surface.

Elegant
Modern ultra thin design, healthy light, no UV component and almost no glare.

Applications

The most common places you are likely to find the panel lights include: hospitals, schools, hallways, lobbies, meeting rooms, restaurants, offices and etc.



Attention

- Handheld remote and Wall-type remote controller cannot be used directly as a switch, they should be used together with the switch.
- Not allow to use scouring powder, abrasive powder, oil and acid alkaline type detergent.
- Do not spray air fresheners, disinfectant, cleaning organic solvents directly on light-emitting surface.
- Wire connectors can not contact with water.
- Do not let sharp objects to scratch the lamp, especially the light-emitting surface.

2.4G Wireless Dimming & CCT Tunable Remote Controller

THE HANDHELD REMOTE CONTROLLER

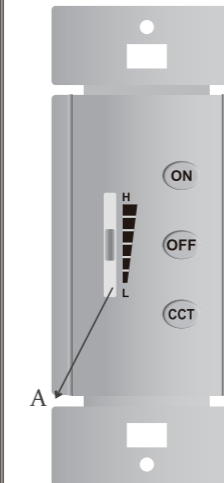


	Turn on Turn off
	Remote controller provides users most flexibility adjustment for smoothly dimming and selecting color temp, the standard wall mount hardwired switch is highly recommended as primary ON-OFF control for normal operation in most case
	Once select satisfied setting by remote control, it will be saved with ON-OFF in remote control use until next setting change
	Initial matching the code between light(s) and remote to activate operate by the remote controller Turn the wall hardwired switch/circuit breaker OFF, press and hold the ID button until a tiny RED LED indicator is flashing on top of the remote then turn ON the wall hardwired switch/circuit breaker, and release the ID button after panel light(s) flashing
	Erase the existing code for resetting up Turn the wall hardwired switch/circuit breaker OFF, then press and hold the button together for couple seconds, following turn the wall hardwired switch/circuit breaker ON, release the buttons after panel light(s) flashing
	Group lights Setting up After Initial matching the code between light(s) and remote, this handheld remote allow to use up to four groups (1; 2; 3; 4) in selecting use: Turn the grouping wall hardwired switch/circuit breaker OFF, following press the group selection button for few seconds, then turn ON this group of lights, release the group button after group lights flashing. Do the same for other groups.
	Save pre-set brightness level and color temp Press and hold the SAVE button for few seconds until the lights shut OFF with your pre-set brightness and color temp, then settings are saved. Now wall hardwired switch works as normal function with pre-selected lighting profile, also applicable for group setting
	All Groups are selected
	5000K 5000K 4000K 4000K
	3500K 3500K 3000K 3000K
	25% 25% brightness 50% 50% brightness
	75% 75% brightness 100% 100% brightness
	Decrease color temperature Increase color temperature

Power the light off then power it on, the last saved brightness (which is saved by the button "SAVE") and the last saved color temperature (which is saved by the button "SAVE" or "OFF") will be displayed by default. The defaulted factory setting of the light is 100% brightness and 4000K.

2.4G Wireless Dimming & CCT Tunable Remote Controller

THE WALL TYPE REMOTE CONTROLLER



	Turn on Turn off
	It has much flexibility for selecting dimming & color temp change. Can fit in a 1-gang box as wall switch for small individual/partition area or lighting cover area w/o hardwired switch & standard dimmer but circuit breaker is recommended if available for the setting up
	Dual functions: 1. Momentary press to ON the light as normal; 2. Press and hold few seconds until lights shut OFF to SAVE the pre-setting profile for operating
	Momentary press it to shut OFF the light
	Initial code learning between light and remote to activate the unit Turn the wall hardwired switch/circuit breaker OFF, press-hold ON & OFF buttons together till RED LED flashing on top of the remote; turn ON the wall switch/circuit breaker, release buttons after panel light(s) flashing <div style="border: 1px solid black; padding: 2px; font-size: small;">If you need to use both hand-hold controller and wall controller for the same light, please don't use this function, directly use the following copy function.</div>
	Built on RF remote dimmer (w/o any additional wirings & dimmer)
	Keep momentary pressing this button to select color temps between 3000K to 5000K in cycle

The matching method of hand-hold remote controller and wall-type remote controller, the wall controller can copy some of the functions of the hand-hold controller by the following method.

NO	Grouping	Hand-hold controller	Wall-type controller
1	1	1 + ID	ON+CCT
2	2	2 + ID	ON+CCT
3	3	3 + ID	ON+CCT
4	4	4 + ID	ON+CCT
5	ALL	ID	ON+CCT

After 10s of each operation the controller will enter standby power saving mode. If you need to make adjustments, simply press the "ON" button, the indicator will flash to show it is working. (If the controller is under working mode, the indicator will flash no matter which button is pressed).

Power the light off then power it on, the last saved brightness (which is saved by the button "ON") and the last saved color temperature (which is saved by the button "ON" or "OFF") will be displayed by default. The defaulted factory setting of the light is 100% brightness and 4000K.