

uPole™ + PivotBar

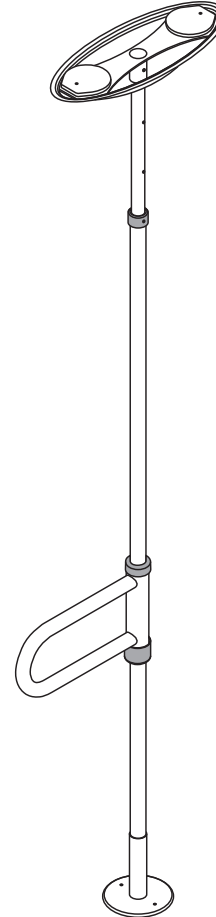
Support Pole with Pivoting and Locking Bar

Technical Data Sheet

Product Specification

The support pole shall have a horizontal rail that can pivot and lock in eight positions each 45° apart. The pivot feature on the product shall be unlocked by lifting the horizontal rail and relocked by releasing the horizontal rail. The horizontal rail shall be constructed of 1.25" tubing and extend 14" from the vertical pole. The support pole shall be installed using a tension fit with non marking rubber pads on the ceiling plate and base plate. The support pole shall be constructed of 1.5" tubing. The product shall have a satin powder coat finish. The product shall have a weight capacity of 300 lbs/136 kg. The support pole with pivot bar shall be HealthCraft Products model UPOLE-PB-____ (see table below for appropriate product code).

Complies with ASTM F3186-24 - Standard Specification for Adult Portable Bed Rails and Related Products.



Key Features

- Tension Fit
- Lift to Unlock/Release to Lock
- Locks every 45°
- Satin Powder Coat Finish
- No Damage Installation

Specified Model

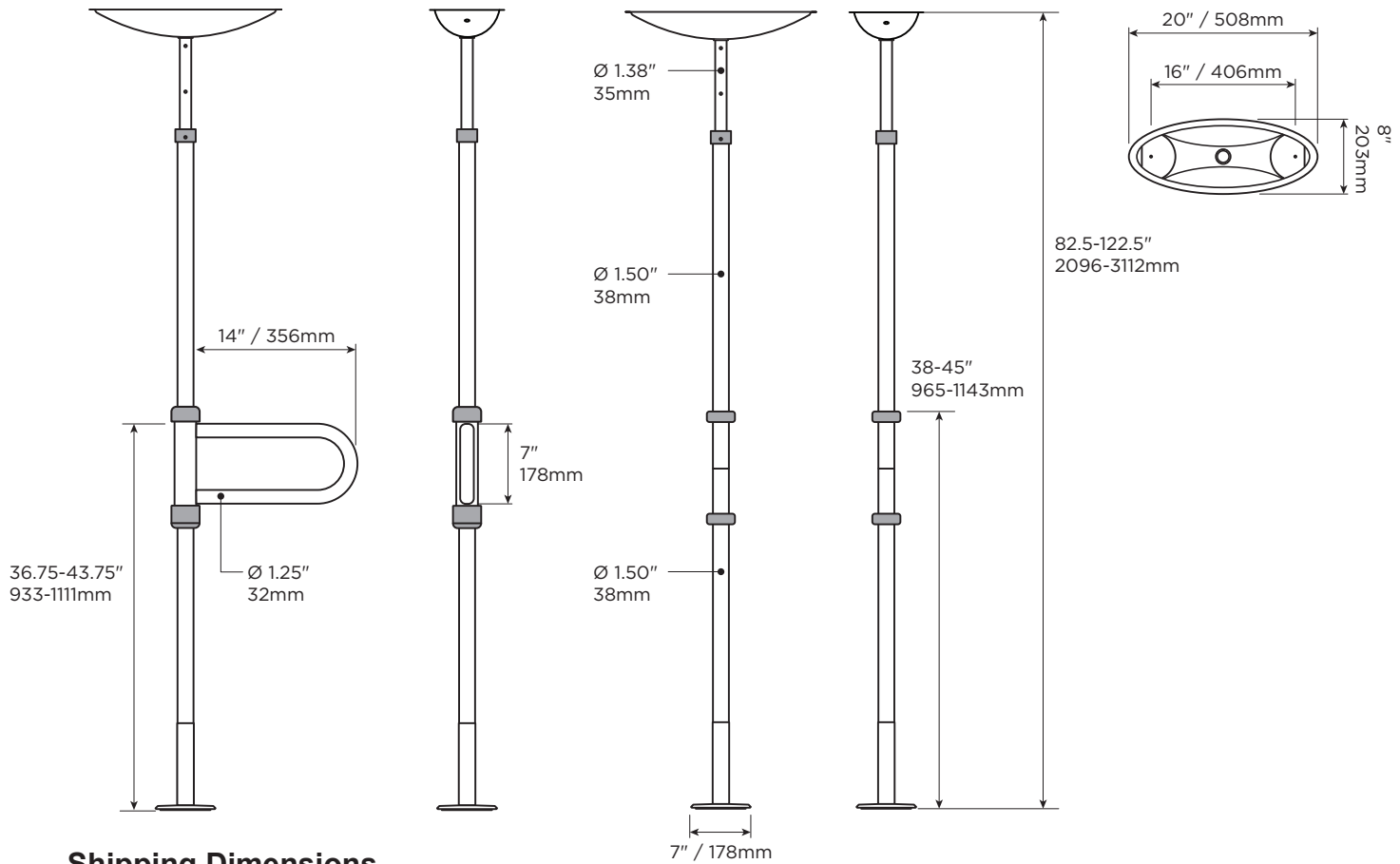
Model	Weight Capacity	Ceiling Height	Material
UPOLE-PB-CW	300 lbs / 136 kg	82.5-122.5" / 2096-3112mm	Steel

uPole™ + PivotBar

Support Pole with Pivoting and Locking Bar

Technical Data Sheet

Product Dimensions



Shipping Dimensions

Model	Height (H)	Width (W)	Depth (D)	Weight
UPOLE-PB	6" / 15cm	10" / 25cm	47" / 120cm	24.4lbs / 11kg

