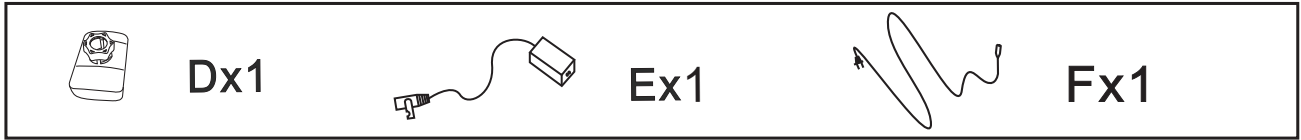
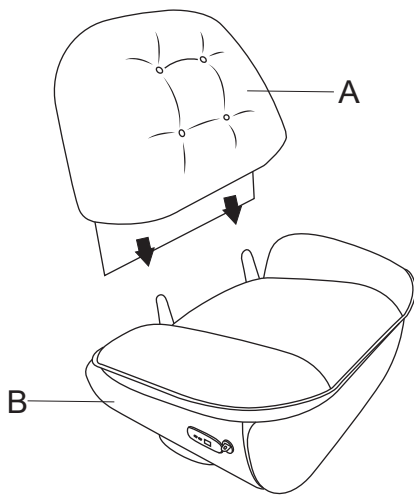


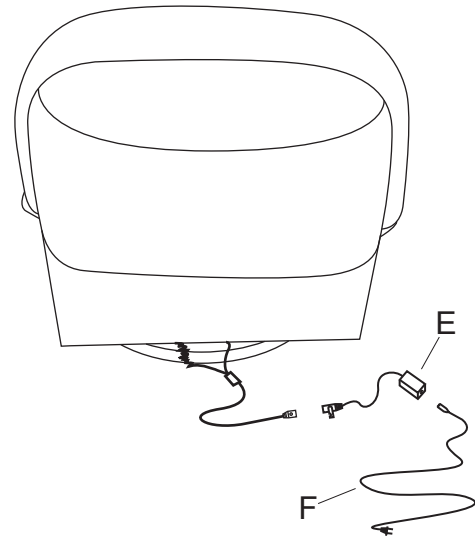
ASSEMBLY INSTRUCTION



STEP 1

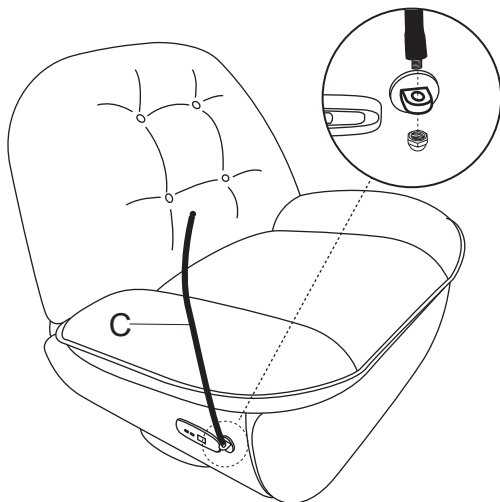


STEP 2



Connect the power cable.

STEP 3



STEP 4

