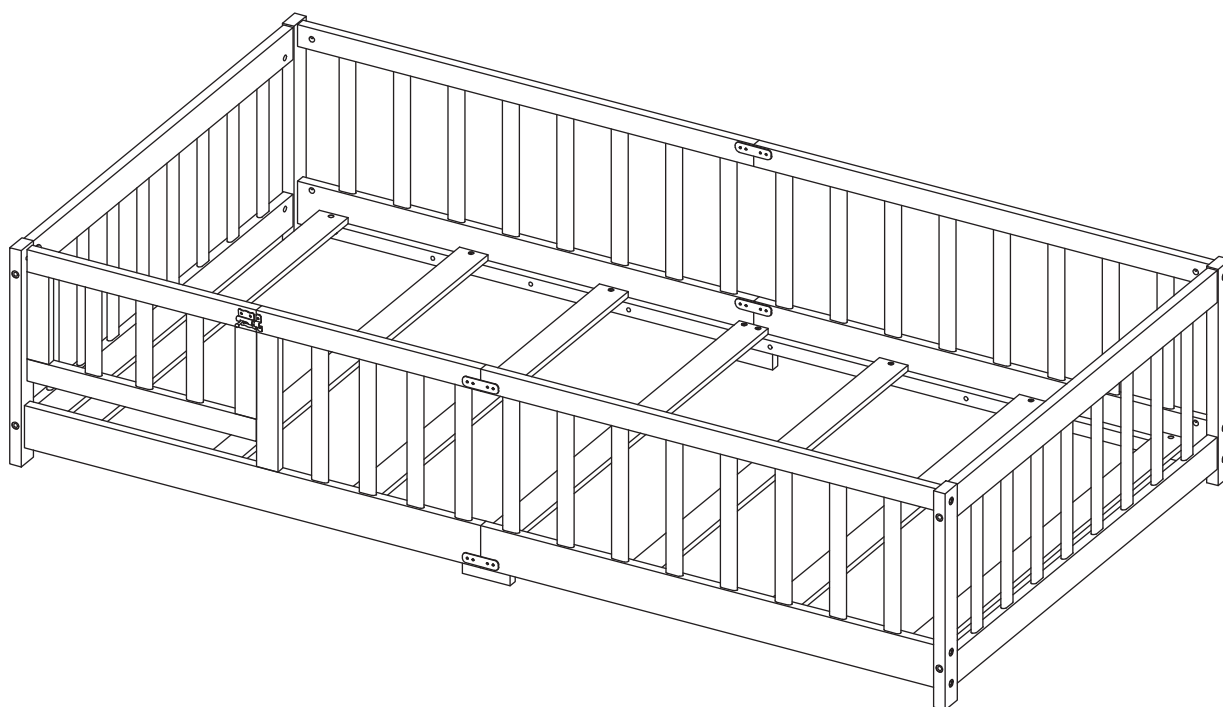
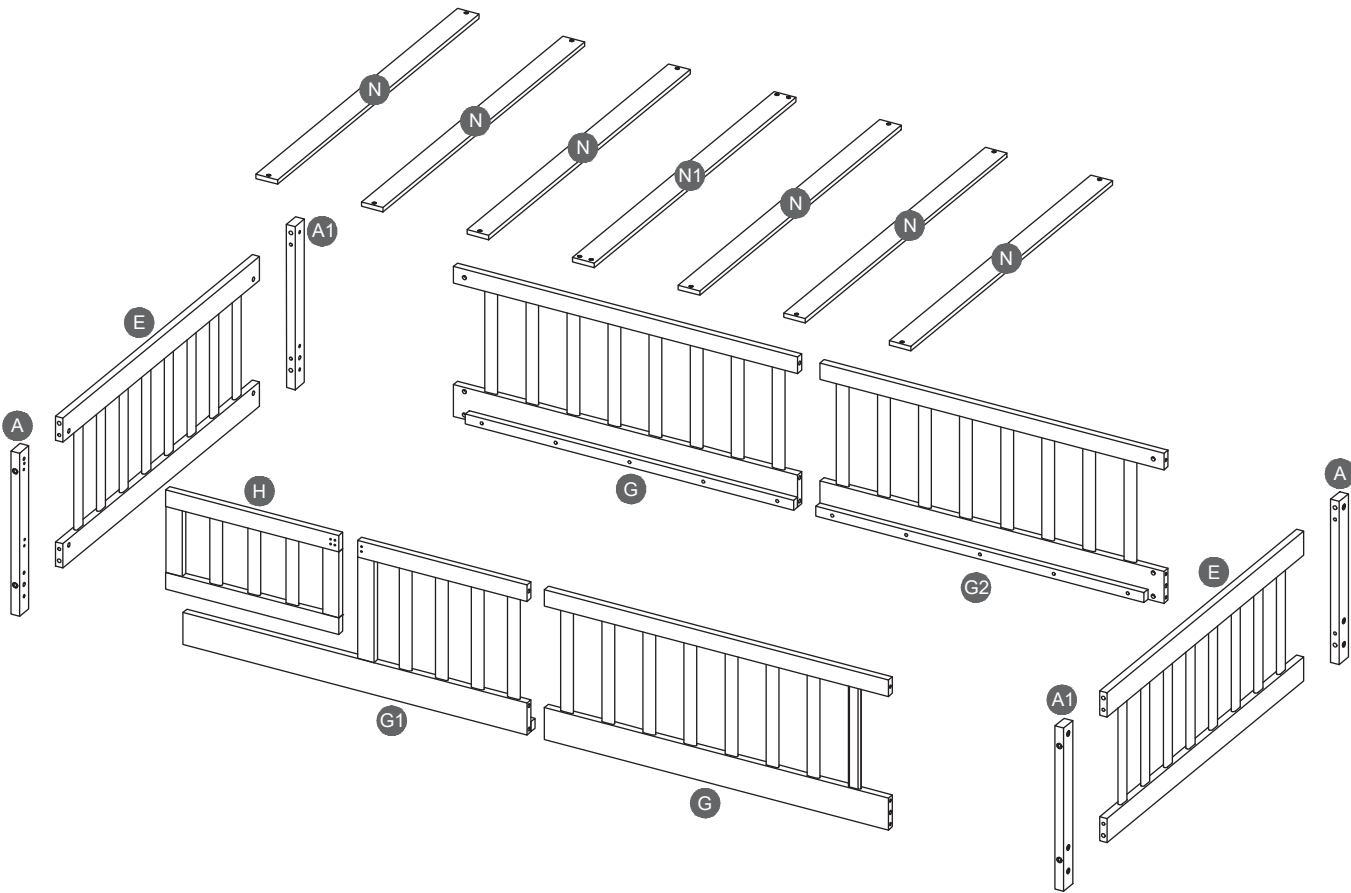


ASSEMBLY INSTRUCTIONS

TWIN FLOOR BED WITH FENCE

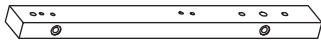


Detail View



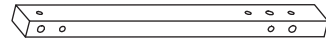
Part List

A



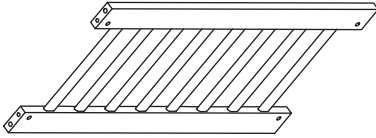
Leg - 2pcs

A1



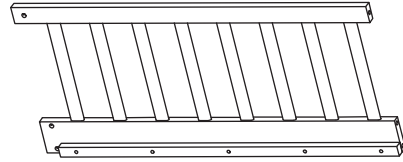
Leg - 2pcs

E



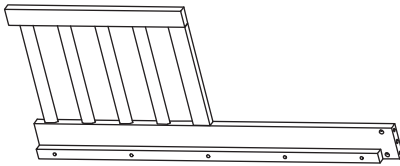
Hb. Fb. Panel - 2pcs

G



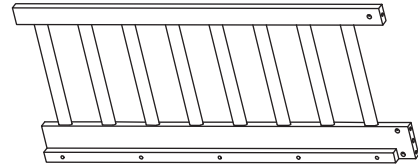
Side Rail - 2pcs

G1



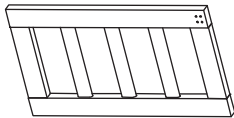
Side Rail - 1pc

G2



Side Rail - 1pc

H



Door - 1pc

N





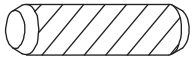
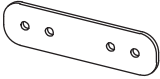
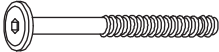
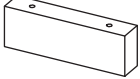



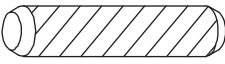


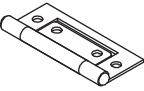
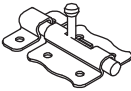

Bed Slats - 6pcs

N1

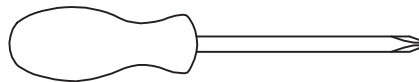


Bed Slats (Mid.) - 1pc

Hardware List




| | | |
|---|---|---|
| 1  M6 x 80mm JCBC (8pcs) | 2  M6 x 15mm Barrel Nut (19pcs) | 3  M10 x 30mm Wood Dowel (Short) (12pcs) |
| 4  Metal Bracket (8pcs) | 5  M6 x 65mm JCBC (11pcs) | 6  Side Rail Bottom Support (2pcs) |
| 7  M4 x 32mm CSK Screw (4pcs) | 8  M3.5 x 16mm CSK Screw (46pcs) | 9  Sticker Cap (2pcs) |
| 10  M10 x 40mm Wood Dowel (Long) (6pcs) | 11  20 x 20 x 233mm Wood Block (1pc) | 12  M4 x 25mm CSK Screw (16pcs) |
| 13  6 x 24 x 55mm (135°) Hinges (2pcs) | 14  10 x 40 x 60mm Lock (1pc) | 15  M4 Allen Key (1pc) |

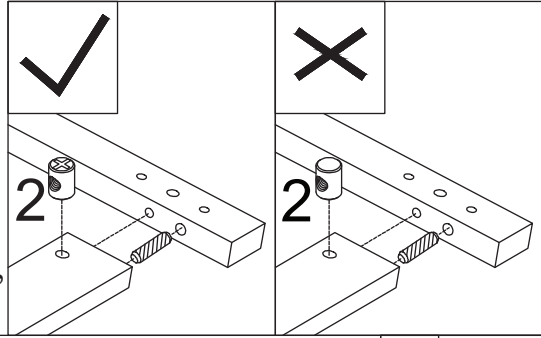
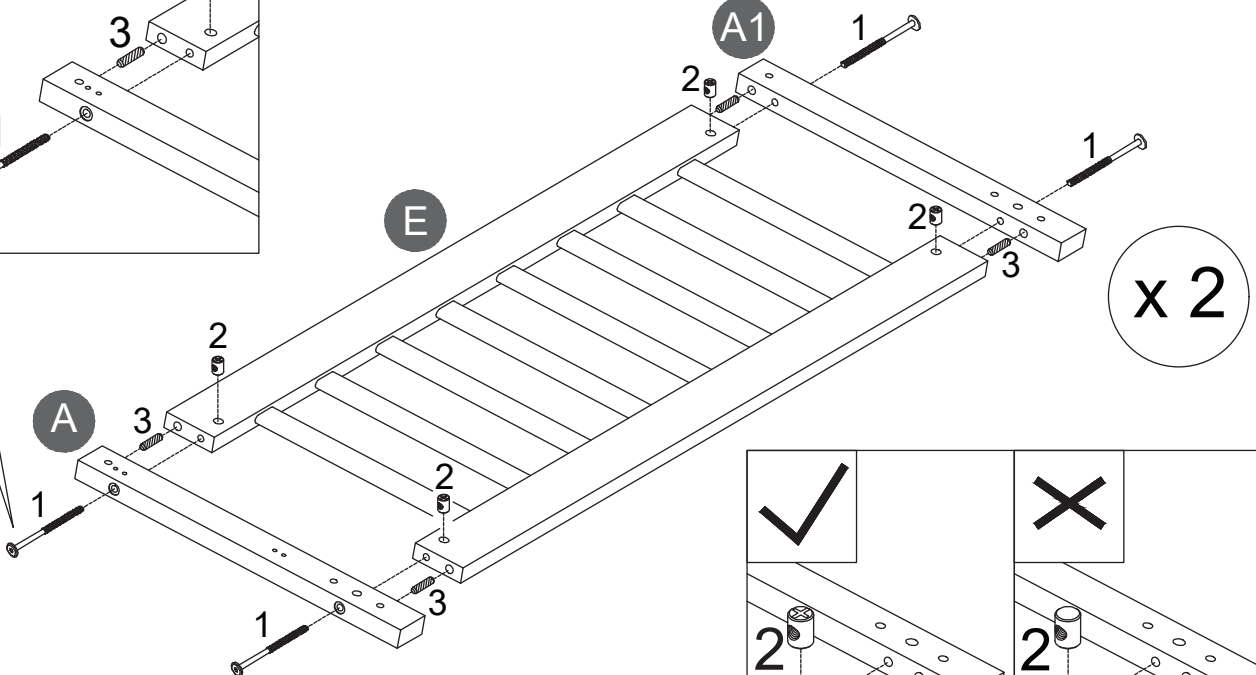
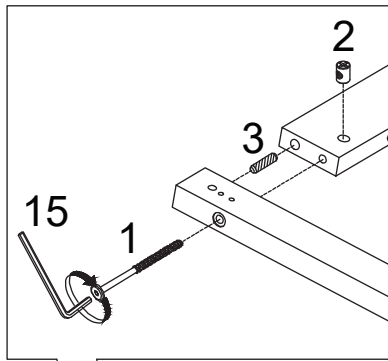
ASSEMBLY TOOLS REQUIRED (NOT INCLUDED)



PLEASE BE CAREFUL DO NOT DAMAGE THE HOLE POSITION WHEN YOU USE POWER TOOLS !


STEP 1:

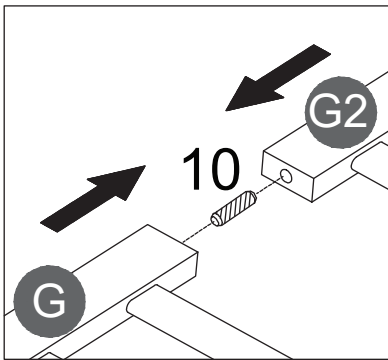
| | | | | | |
|-------------|--|-------------|---|-------------|---|
| 1 |  | 2 |  | 3 |  |
| 8PCS | | 8PCS | | 8PCS | |



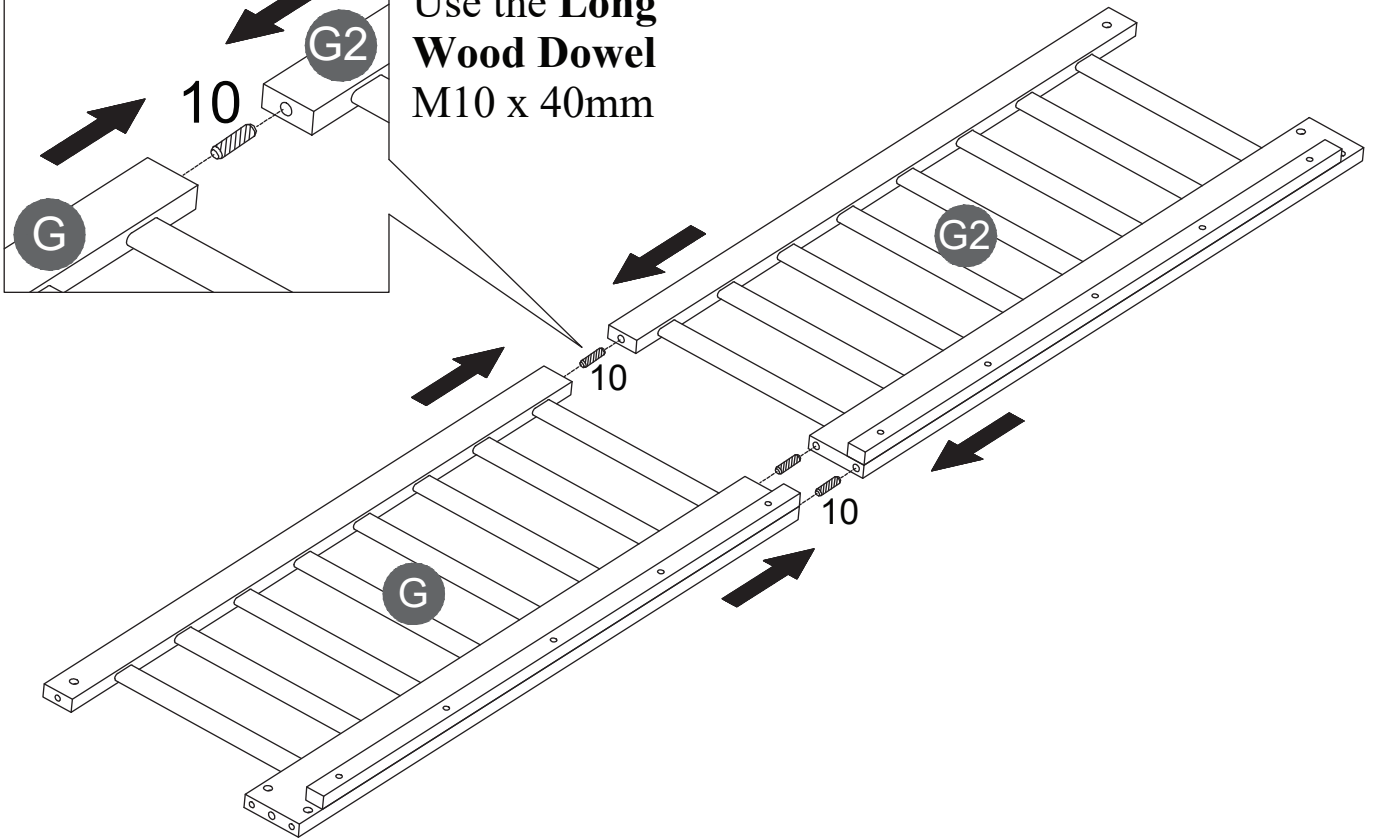
Note: Part 2 will face up with the "+" mark on it, otherwise it cannot be tightened

STEP 2:

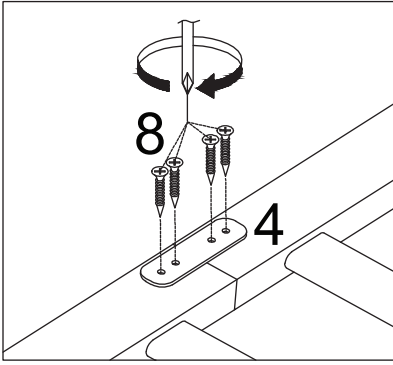
| | |
|-------------|---|
| 10 |  |
| 3PCS | |



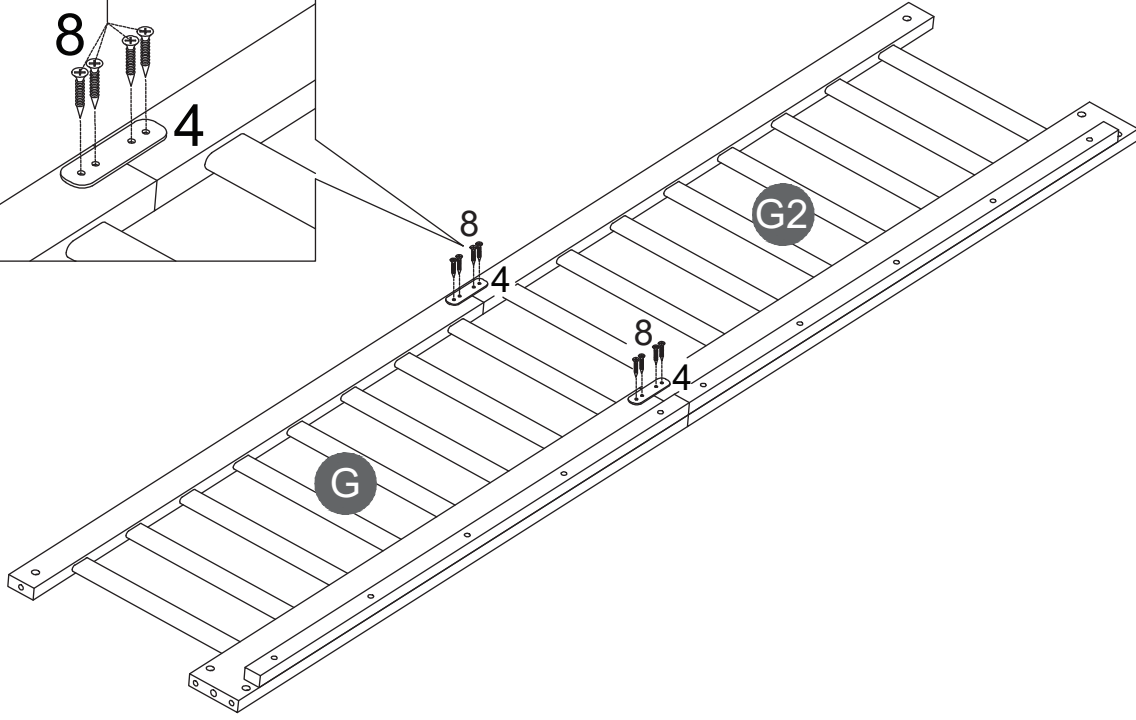
Note:
Use the **Long Wood Dowel**
M10 x 40mm



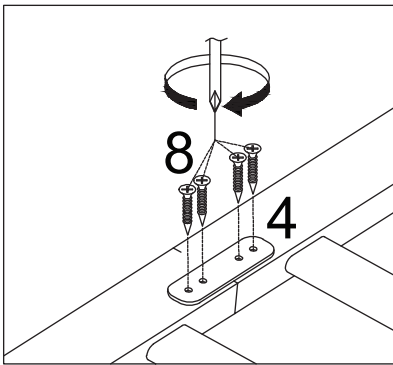
STEP 3:



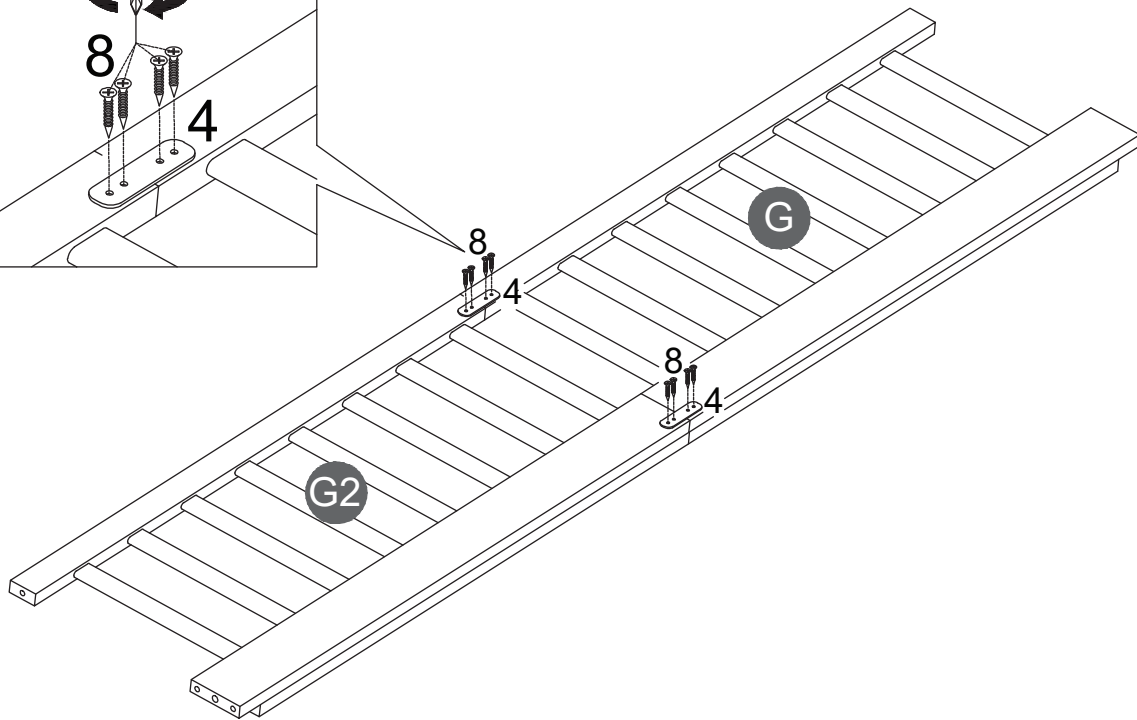
| | |
|-------------|-------------|
| 4 | 8 |
| | |
| 2PCS | 8PCS |



STEP 4:

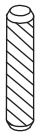


| | |
|-------------|-------------|
| 4 | 8 |
| | |
| 2PCS | 8PCS |

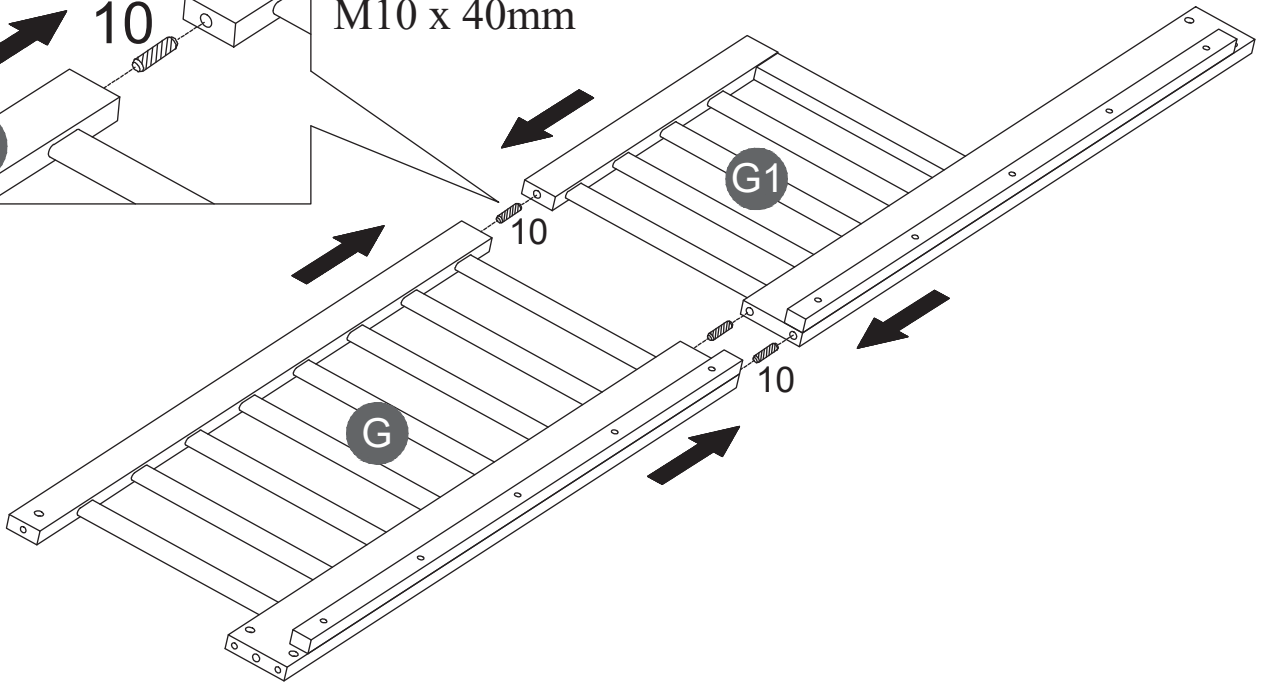
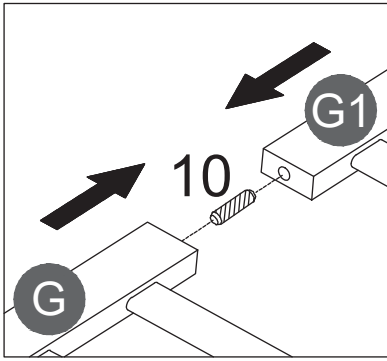


After completing the installation of Step 3, please flip to the other side.

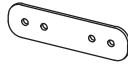

STEP 5:

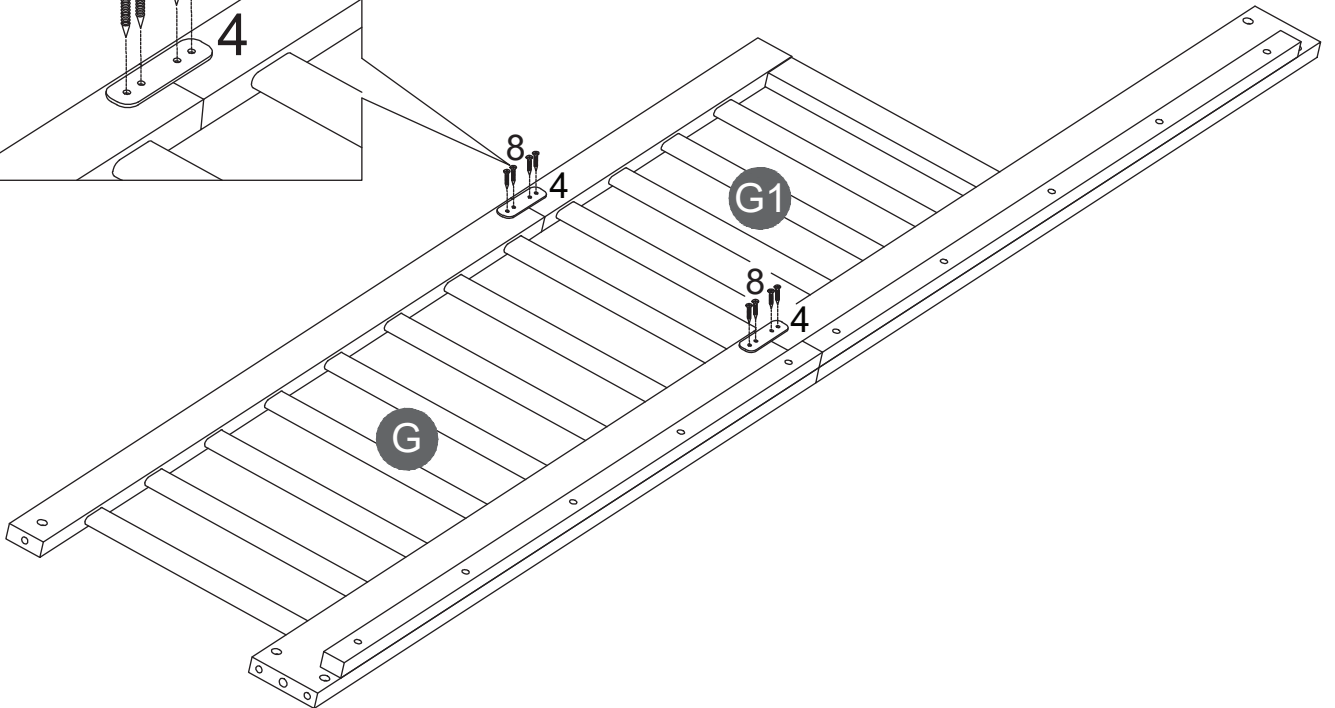
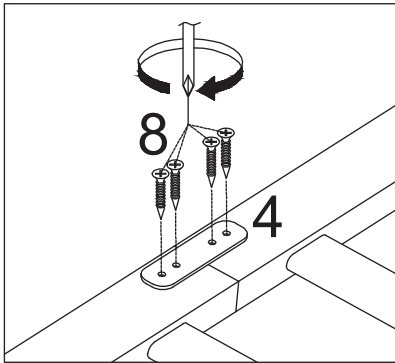
| | |
|-------------|--|
| 10 |  |
| 3PCS | |

Note:
Use the **Long Wood Dowel**
M10 x 40mm

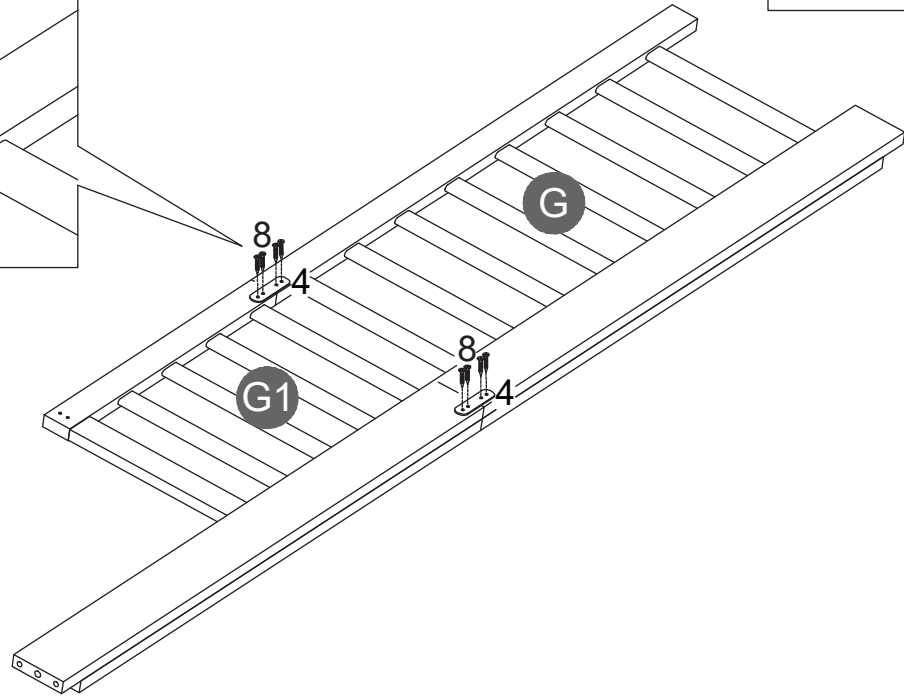
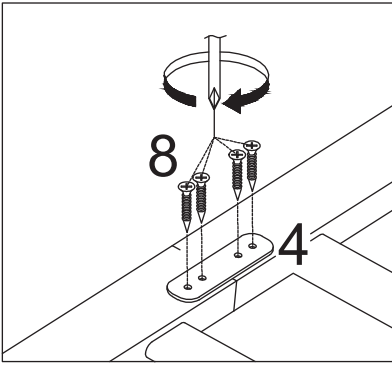


STEP 6:

| | | | |
|-------------|---|-------------|---|
| 4 |  | 8 |  |
| 2PCS | | 8PCS | |



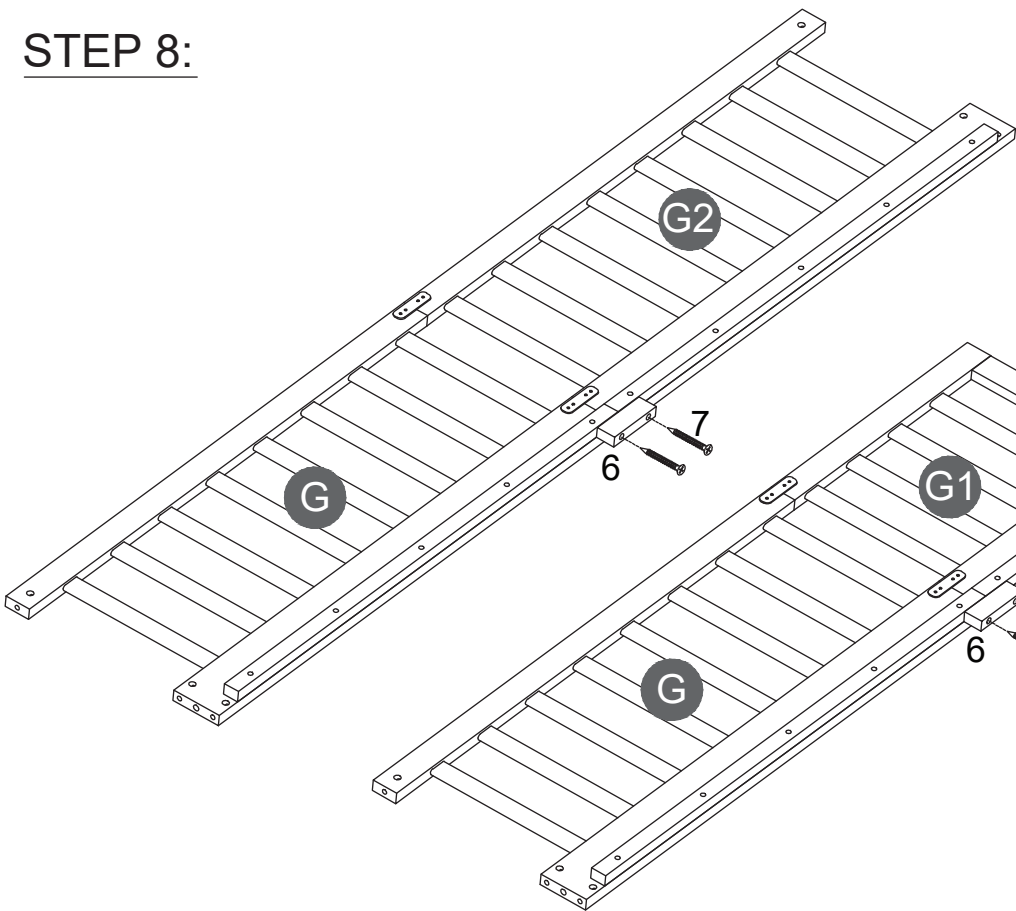
STEP 7:



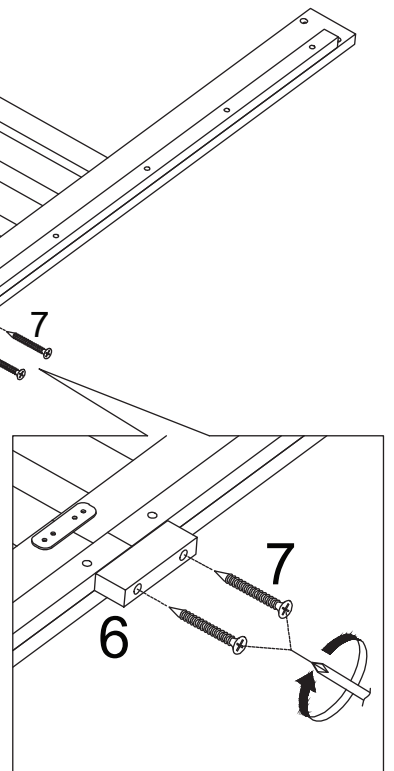
| | |
|--------------|--------------|
| 4 | 8 |
| 2PCS | 8PCS |

After completing the installation of Step 6, please flip to the other side.





STEP 8:

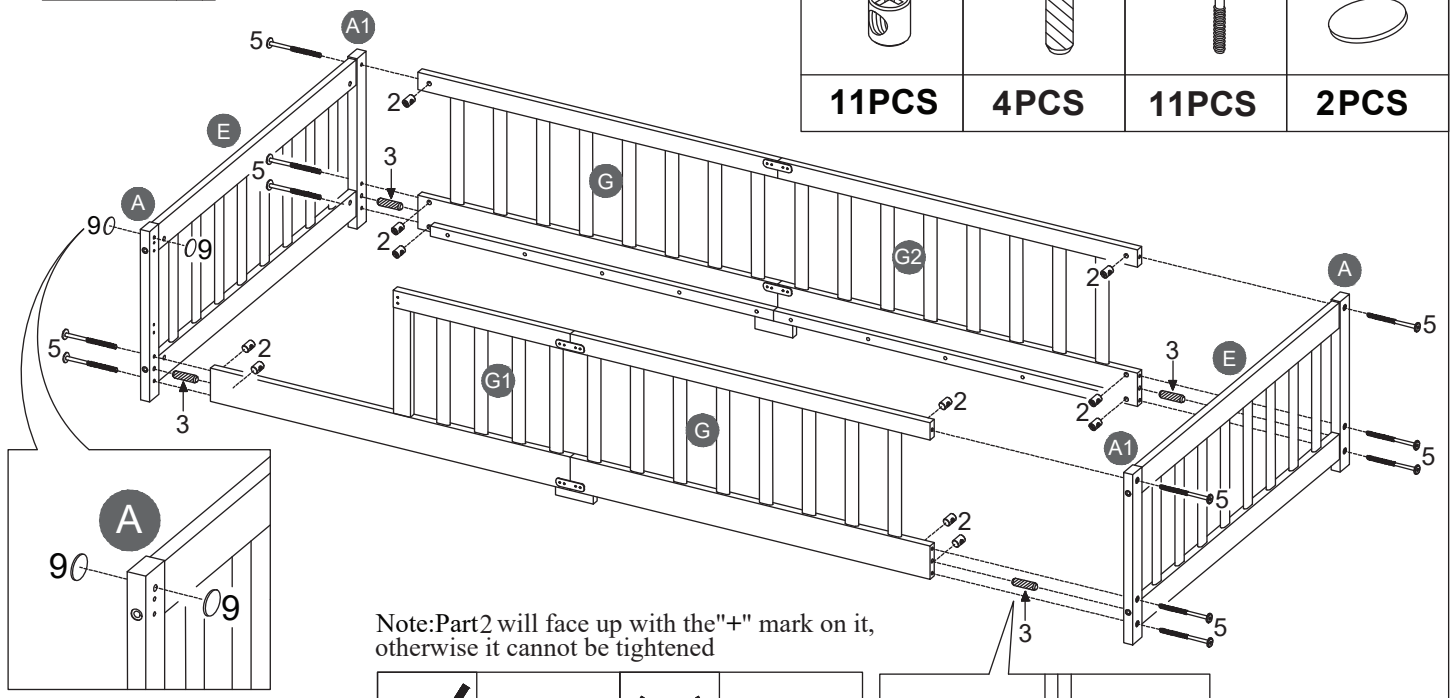


| | |
|--------------|--------------|
| 6 | 7 |
| 2PCS | 4PCS |

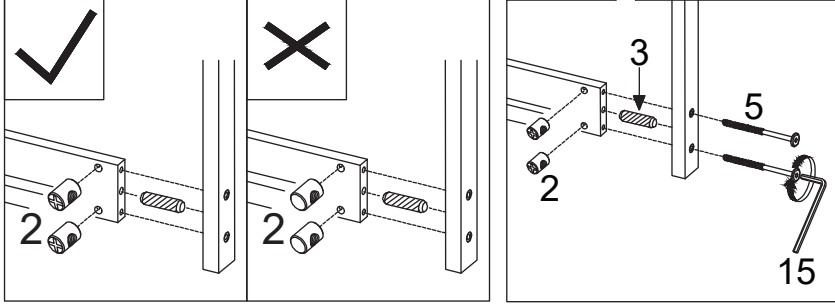


STEP 9:


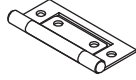
| | | | |
|---|---|---|---|
| 2  | 3  | 5  | 9  |
| 11PCS | 4PCS | 11PCS | 2PCS |

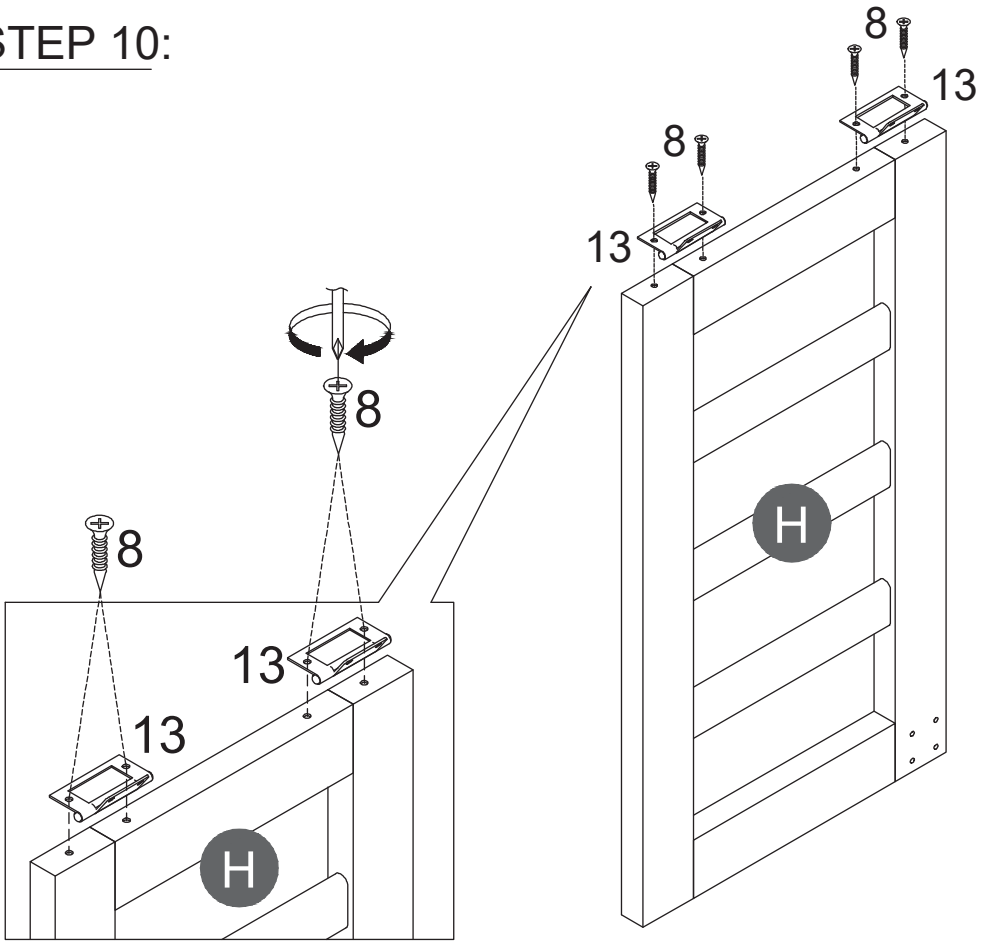


Note: Part 2 will face up with the "+" mark on it, otherwise it cannot be tightened

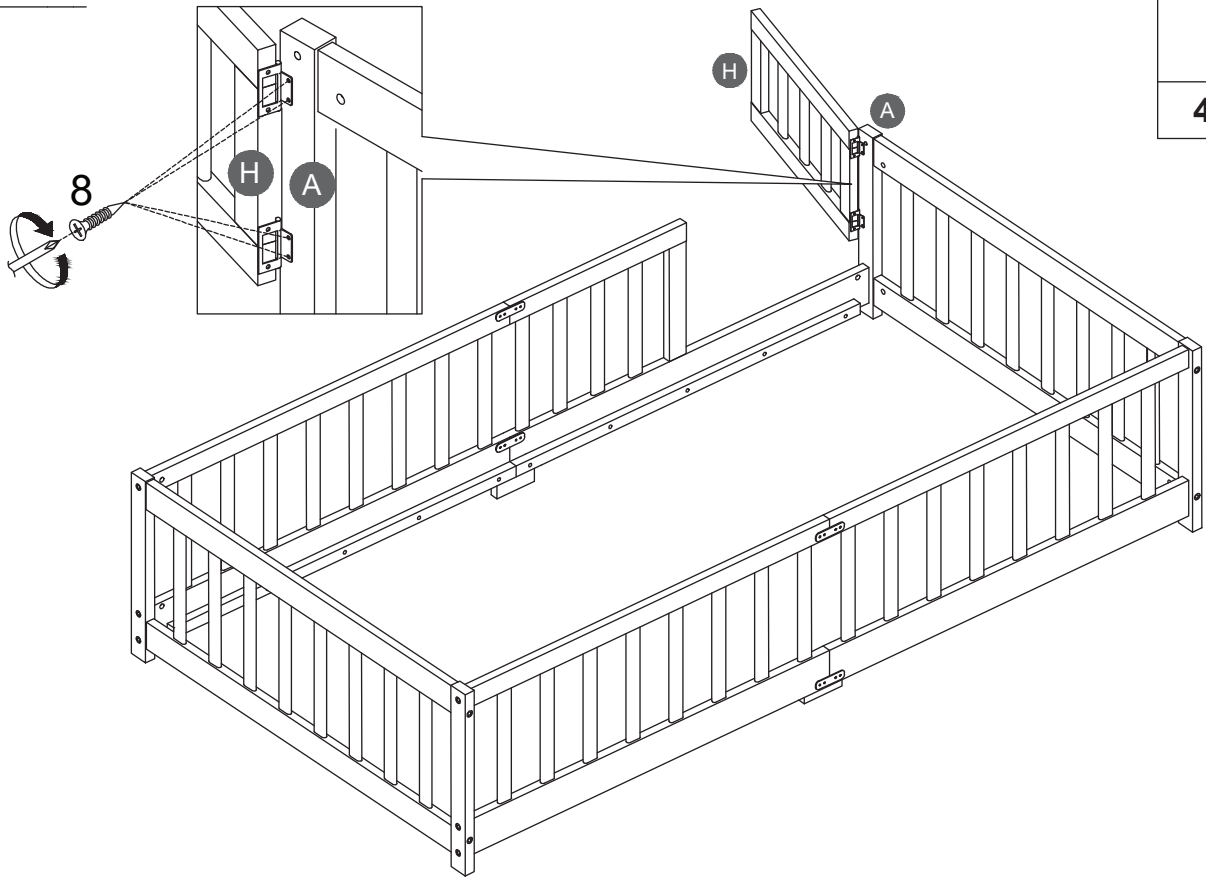


STEP 10:

| | |
|---|--|
| 8  | 13  |
| 4PCS | 2PCS |



STEP 11:

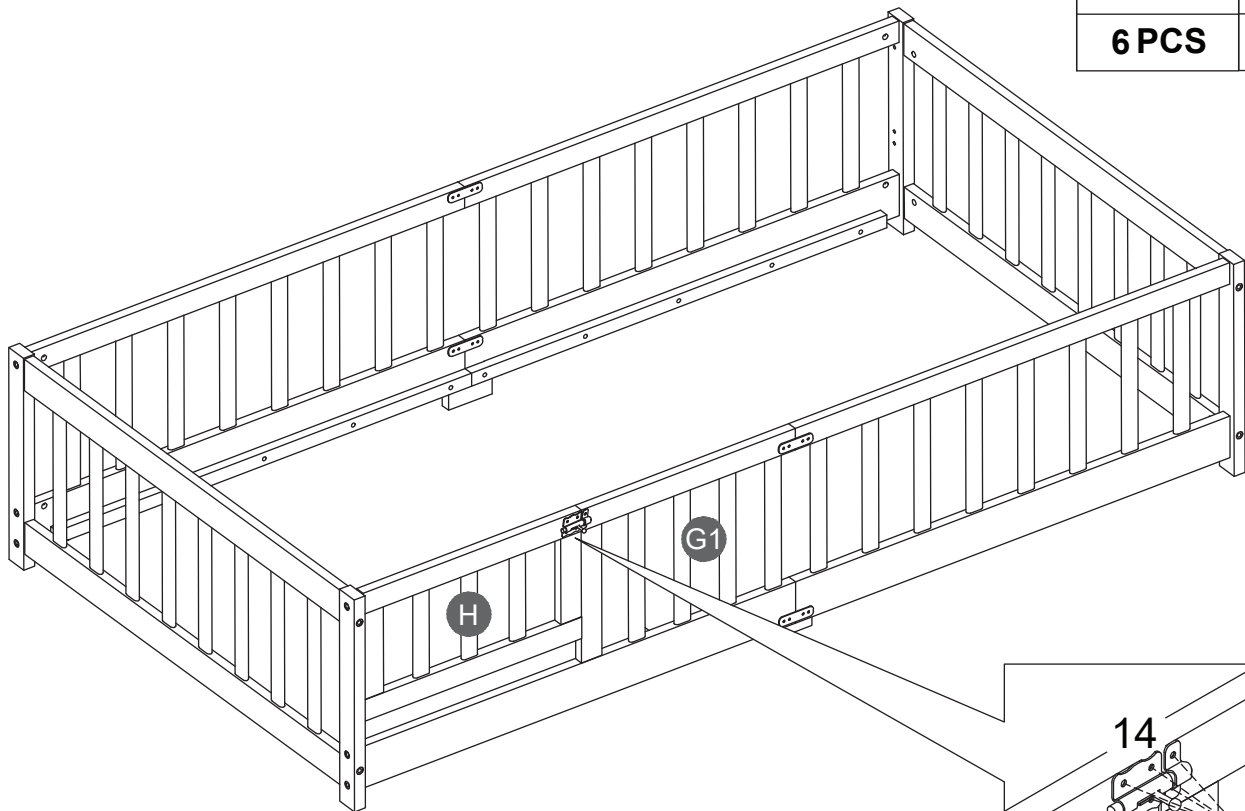


8



4 PCS

STEP 12:

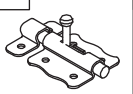


8

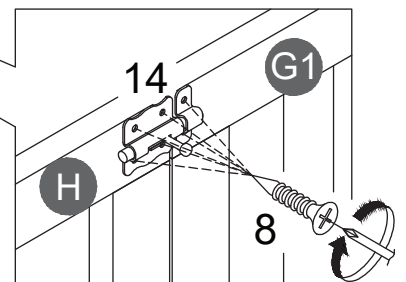


6 PCS



14

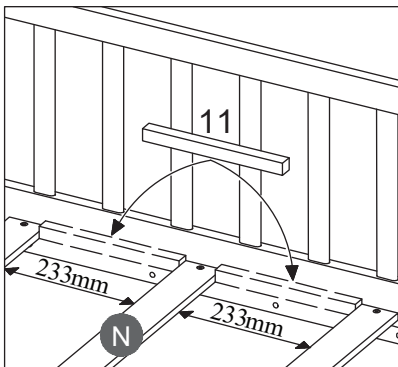
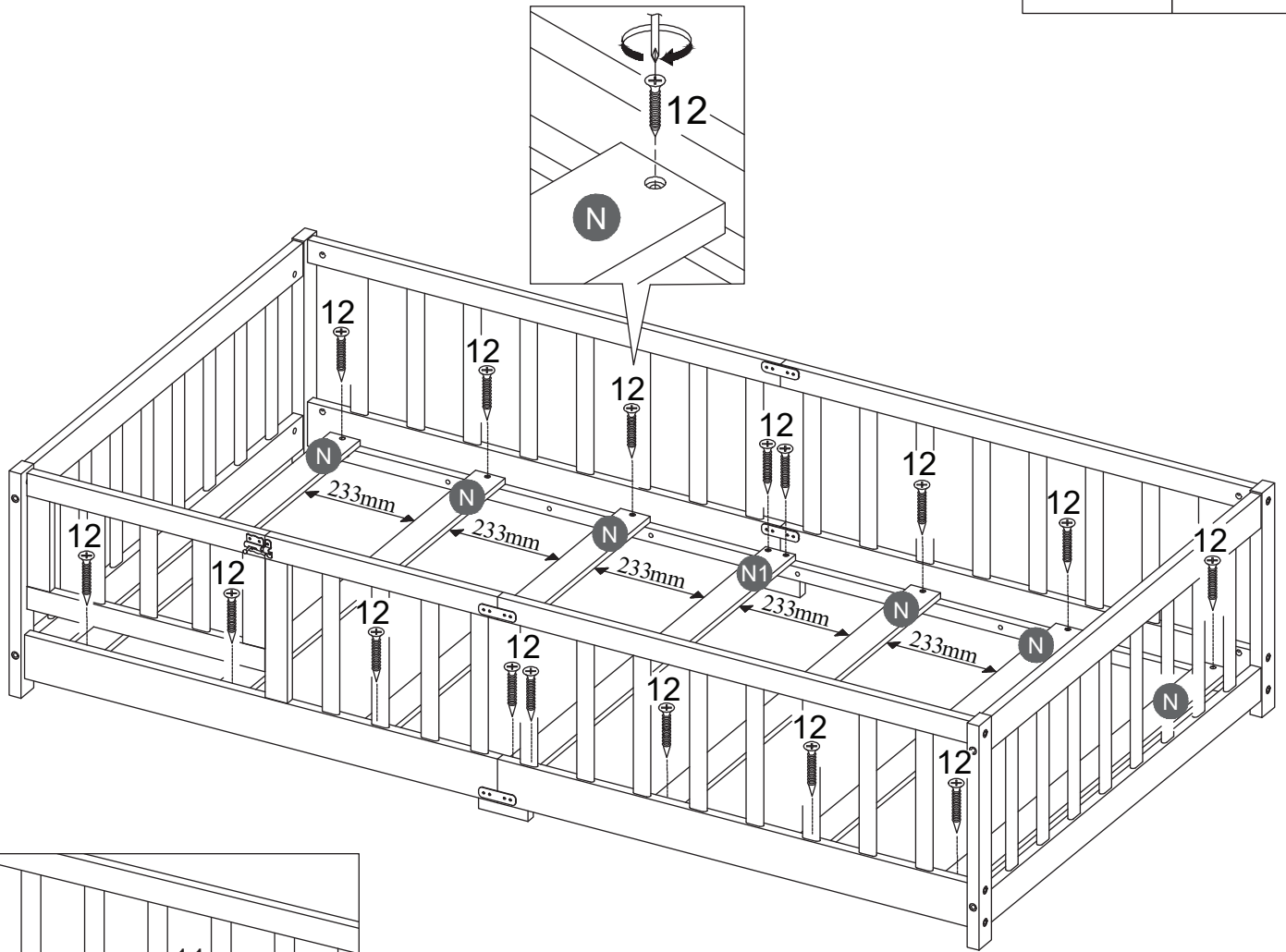


1 PC

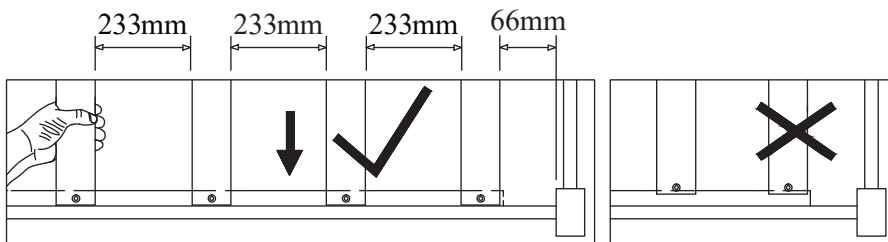


STEP 13:

| | |
|---|---|
| 11 | 12 |
|  |  |
| 1 PC | 16 PCS |



Note: Use Wood Block as a guidance distance between Bed Slats.



Note: Do not lock the screws of the bed slats to the outermost edge of the bed slats, you need to leave a certain space at the edges, otherwise it will cause the board to break. Do not lock the bed slats on the edge of the wood, please hold firmly before screwing, hold it in place with one hand, then lock the screw.