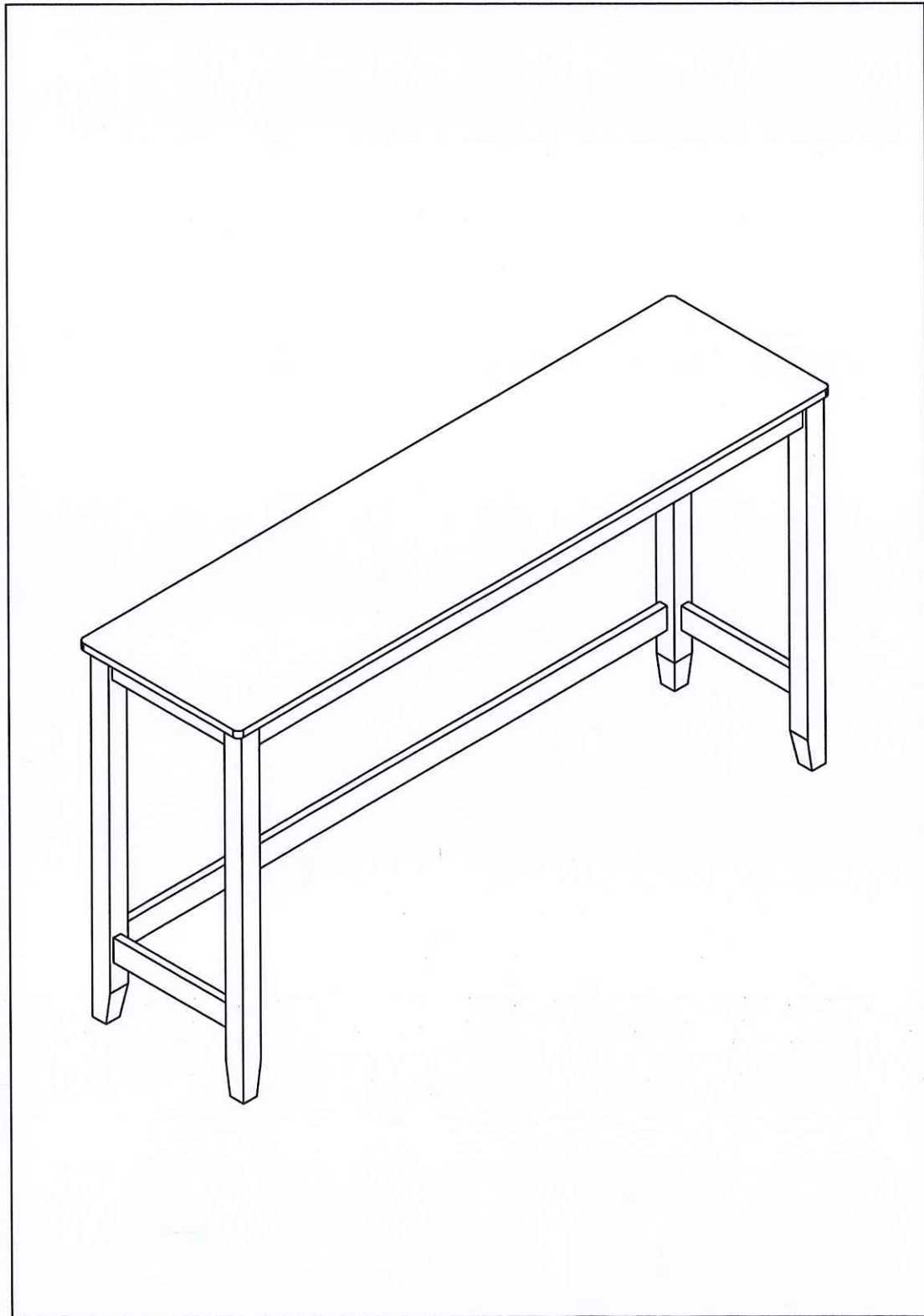


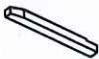












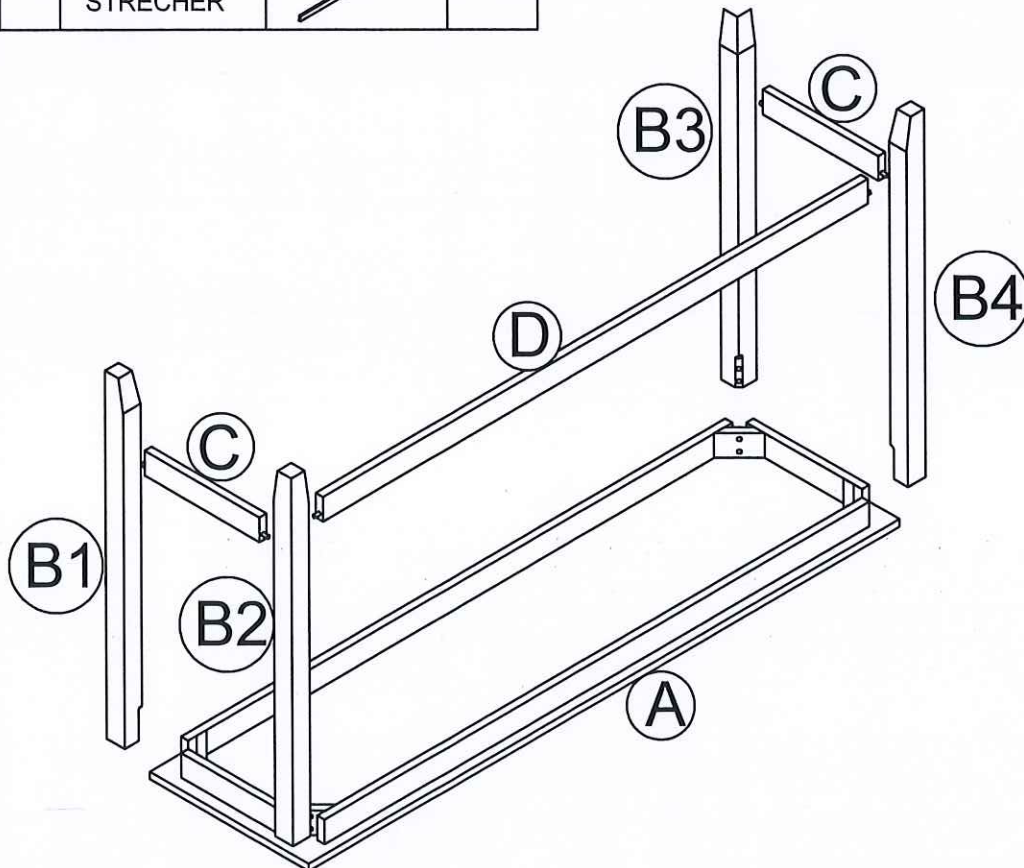
# ASSEMBLY INSTRUCTION

## WF 291820



# CARTONS ONLY ONE/ CARTONS SEULEMENT UN

PART LISTS				HARDWARE LISTS			
NO.	DESCRIPTION	SKETCH	Q'TY	NO.	DESCRIPTION	SKETCH	Q'TY
A	TABLE TOP		1 PCS	1	BOLT Ø5/16" x 60mmL		8 PCS
B1	LEG 1 - L		1 PCS	2	CREW Ø4 x 38mmL		6 PCS
B2	LEG 1 - L		1 PCS	3	SPRING WASHER Ø5/16" x 13mmL		8 PCS
B3	LEG 1 - R		1 PCS	4	FLAT WASHER Ø5/16" x 19mmL		8 PCS
B4	LEG 1 - R		1 PCS	5	ALLEN KEY		1 PCS
C	SIDE STRECHER		2 PCS	6	CHOT GO Ø8 x 30mmL		6 PCS
D	SIDE STRECHER		1 PCS				



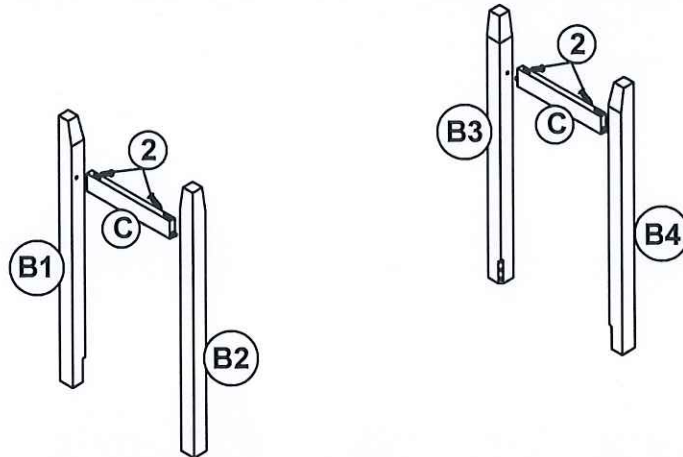
# ASSEMBLY INSTRUCTIONS

STEP 1:

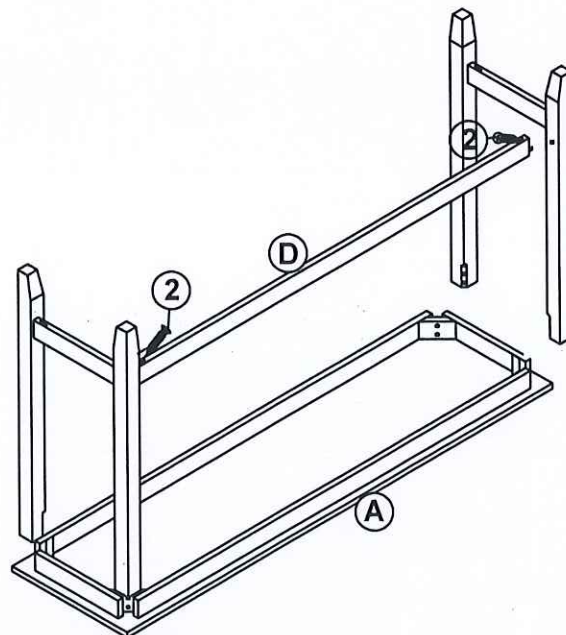
2



Ø4 x 38 - 6 PCS



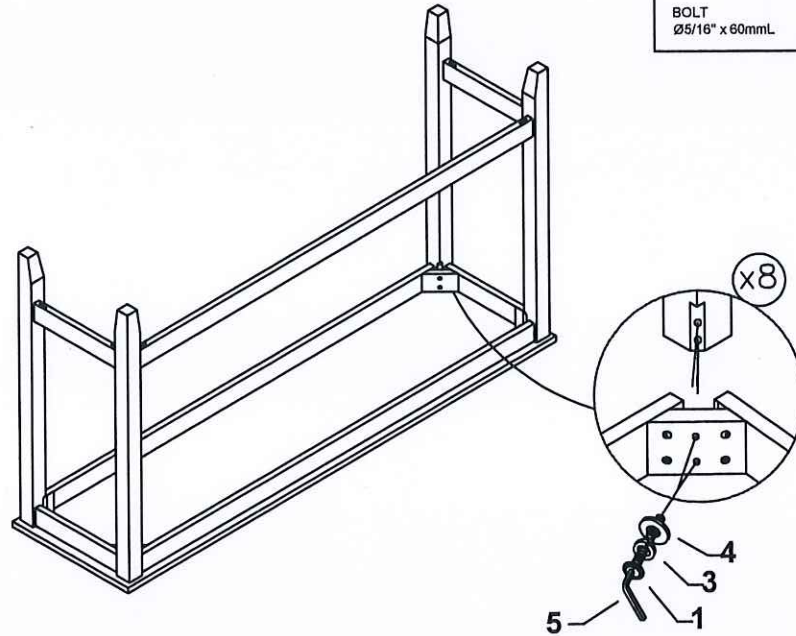
STEP 2:



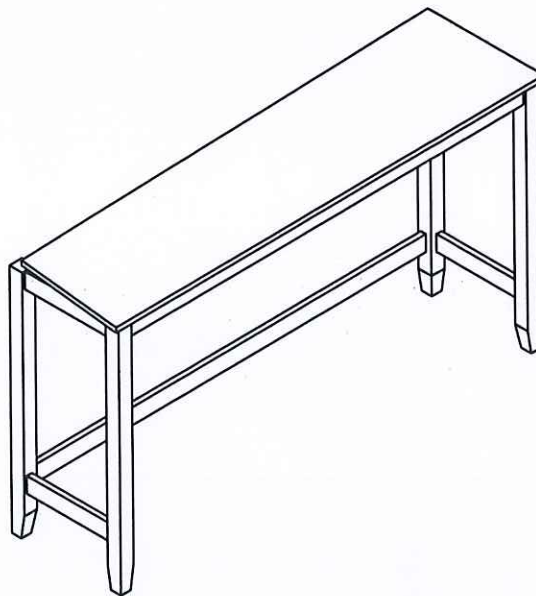
# ASSEMBLY INSTRUCTIONS

STEP 3:

2  
BOLT  
Ø5/16" x 60mmL 8 PCS



STEP 4:



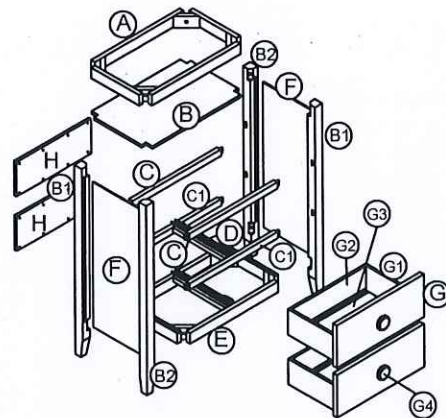
ASSEMBLY INSTRUCTION  
WF 291821



# ASSEMBLY INSTRUCTIONS

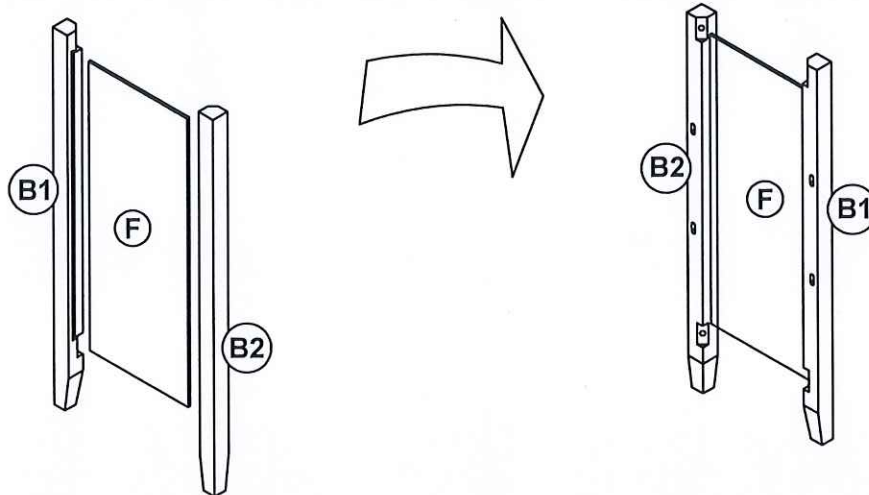
CARTONS ONLY ONE/ CARTONS SEULEMENT UN



PART LISTS				HARDWARE LISTS			
NO.	DESCRIPTION	SKETCH	Q'TY	NO.	DESCRIPTION	SKETCH	Q'TY
A	FRAME-1		1 PCS	1	BOLT Ø5/16" x 45mmL		8 PCS
B			1 PCS	2	Wood-screw Ø6 x 40mmL		2 PCS
B1	LEG 1 - L		2 PCS	3	CREW Ø4 x 15mmL		12 PCS
B2	LEG 2 - R		2 PCS	4	CREW Ø4 x 30mmL		16 PCS
C	SIDE STRECHER		2 PCS	5	CREW Ø3.5 x 12mmL		6 PCS
C1	SIDE STRECHER		2 PCS	6	BOLT Ø4 x 40mmL		2 PCS
D	RAIL		1 PCS	7	SPRING WASHER Ø5/16" x 13mmL		8 PCS
E	FRAME-2		1 PCS	8	FLAT WASHER Ø5/16" x 19mmL		8 PCS
F	PANEL		2 PCS	9	ALLEN KEY		1 PCS
G	Drawer front		2 PCS	10	CHOT GO Ø8 x 30mmL		2 PCS
G1	Drawer left - right		4 PCS	11	HOLDER		2 PCS
G2	Drawer back		2 PCS	12	FLAT WASHER Ø4 x 13mmL		2 PCS
G3	BOTTON PANEL		2 PCS				
H	BACK PANEL		2 PCS				
J	RAIL		2 PCS				



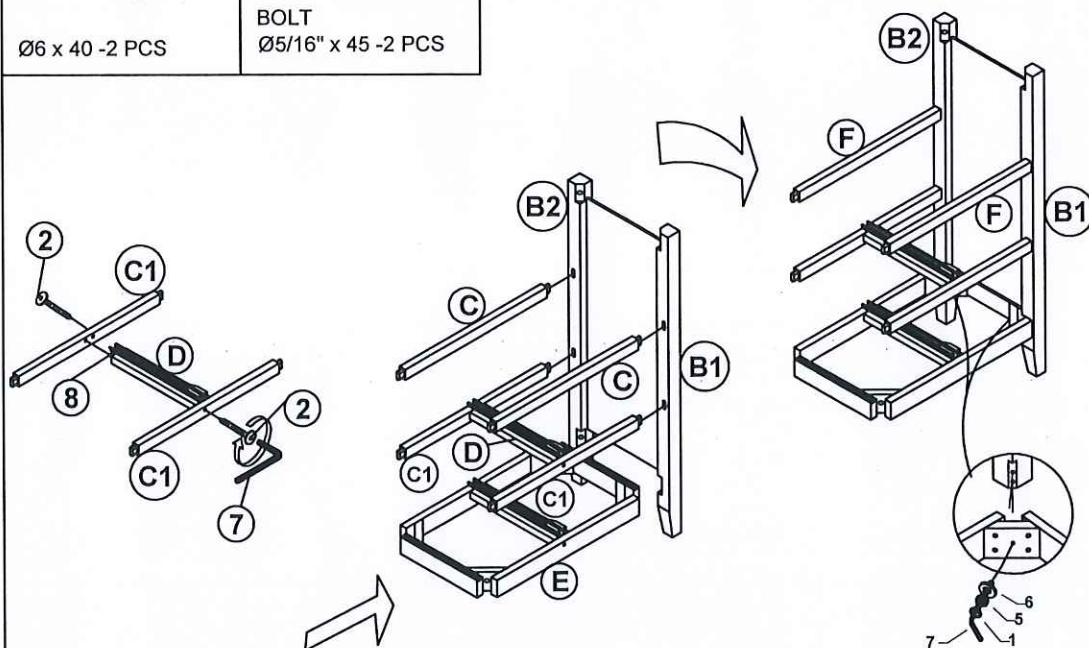
# ASSEMBLY INSTRUCTIONS

STEP 1:



2		1	
Ø6 x 40 -2 PCS		BOLT Ø5/16" x 45 -2 PCS	

STEP 2:



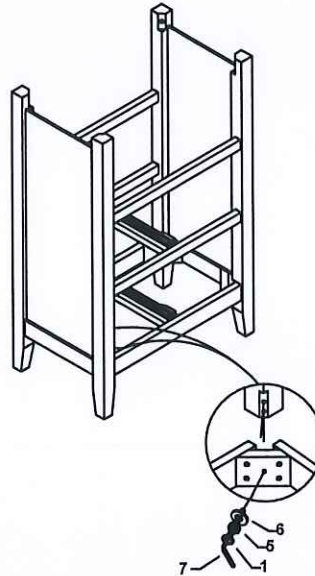
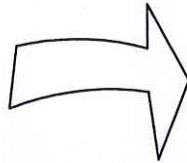
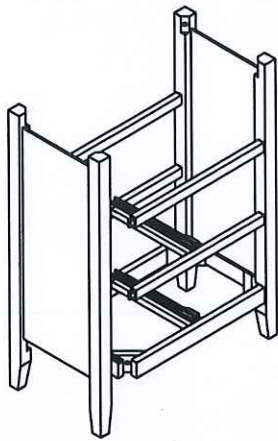
# ASSEMBLY INSTRUCTIONS

1

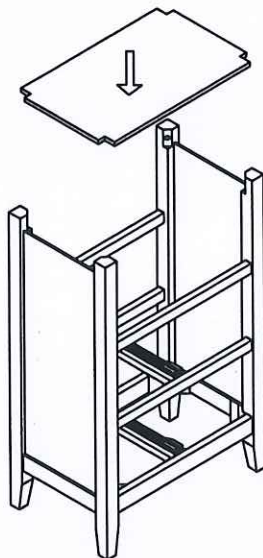


BOLT  
Ø5/16" x 45 -2 PCS

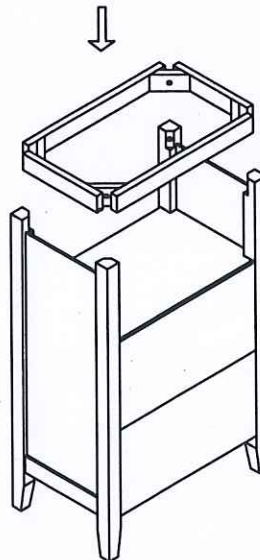
STEP 3:





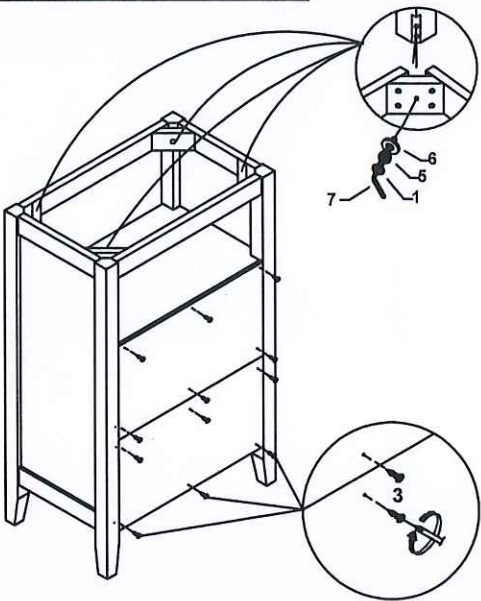


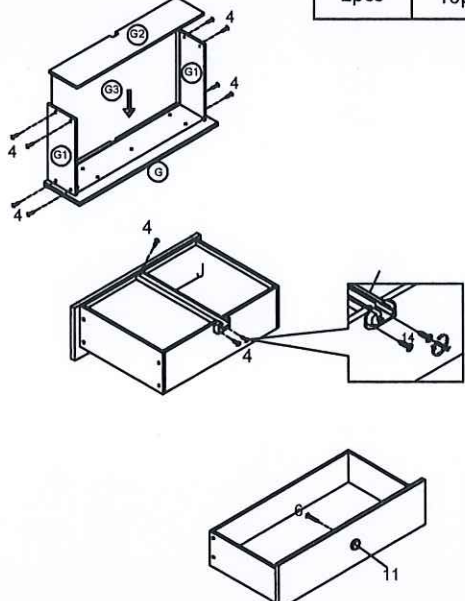
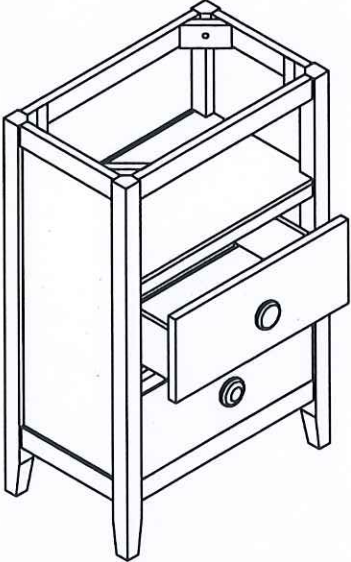
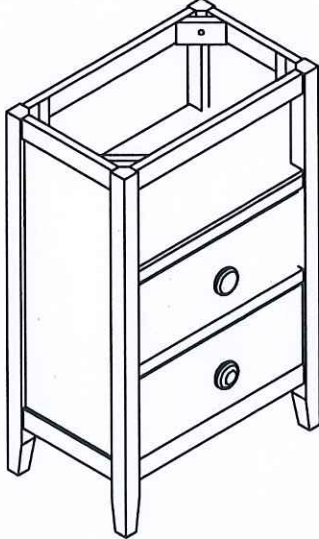
STEP 4:



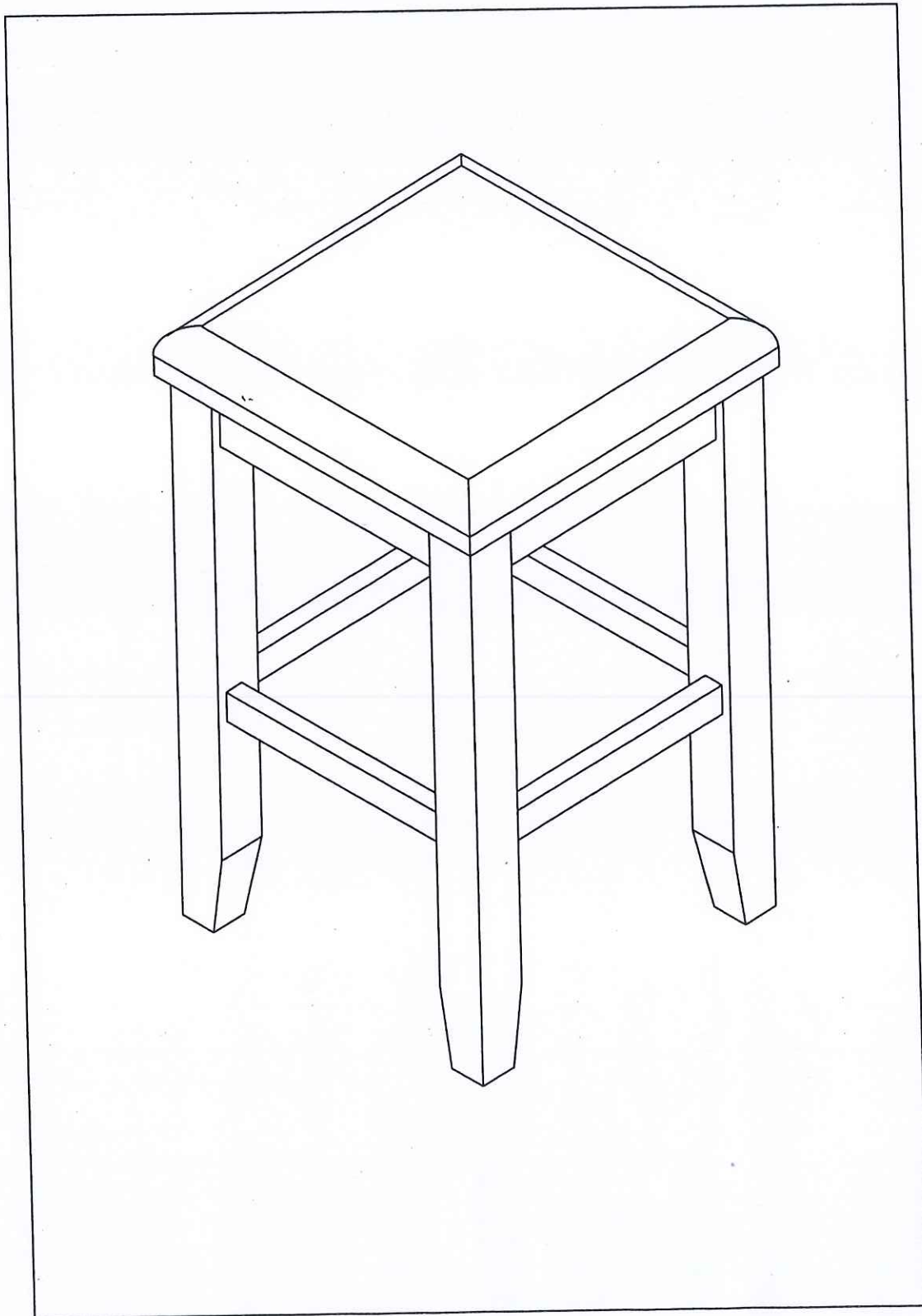
STEP 5:









# ASSEMBLY INSTRUCTIONS

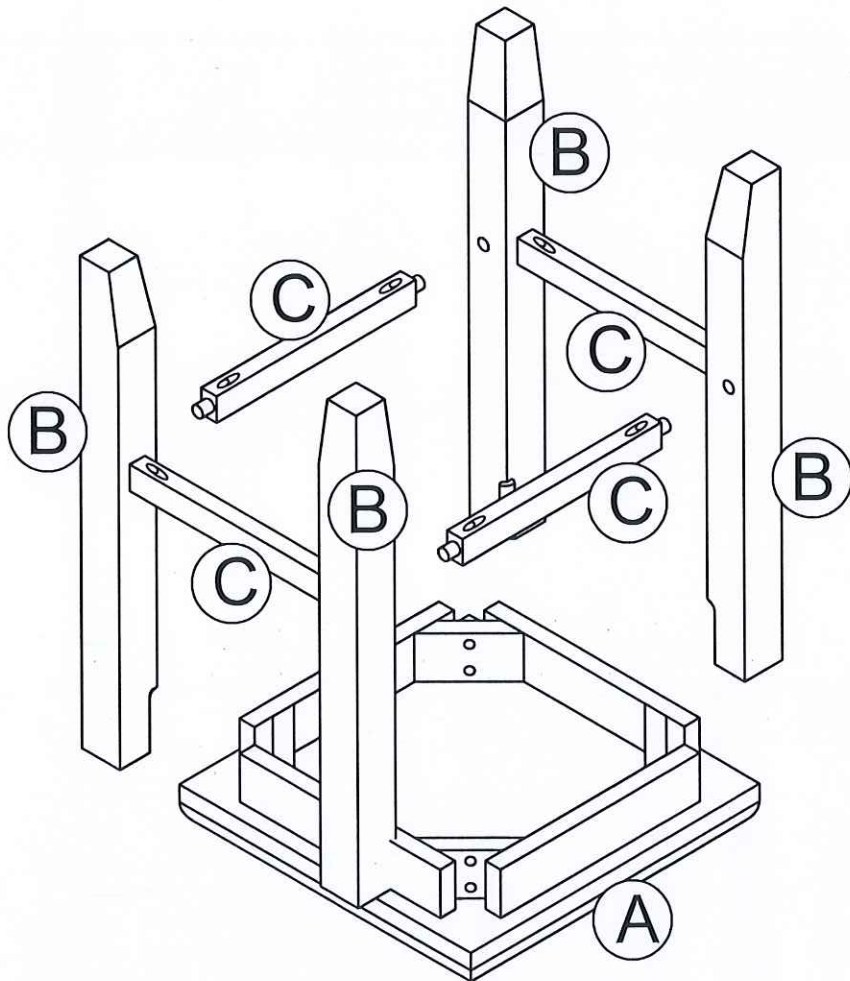
<p>1  BOLT Ø5/16" x 45 - 4 PCS</p>	<p>3  Ø4 x 15 - 12 PCS</p>	<p>STEP 6:</p> 	<p>STEP 7:</p> <p>J  4  RAIL 2pcs 19pcs</p> 
<p>STEP 8:</p> 		<p>STEP 9:</p> 	

ASSEMBLY INSTRUCTION  
WF 291821




# CARTONS ONLY ONE/ CARTONS SEULEMENT UN

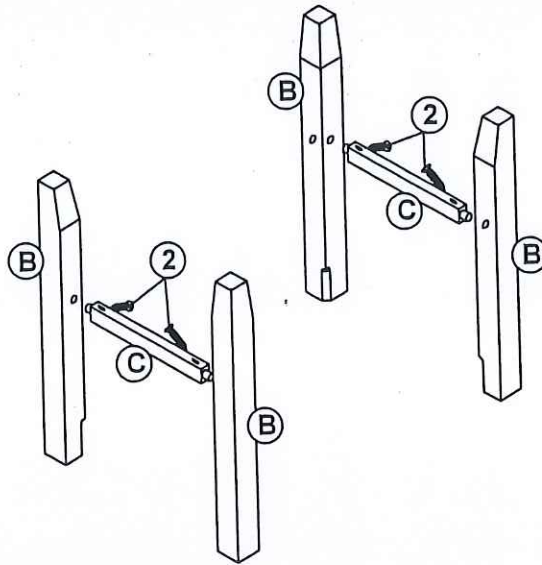
PART LISTS				HARDWARE LISTS			
NO.	DESCRIPTION	SKETCH	Q'TY	NO.	DESCRIPTION	SKETCH	Q'TY
A	STOOL TOP		2 PCS	1	BOLT Ø5/16" x 60mmL		16 PCS
B	LEG		8 PCS	2	CREW Ø4 x 38mmL		16 PCS
C	SIDE STRECHER		8 PCS	3	SPRING WASHER Ø5/16" x 13mmL		16 PCS
				4	FLAT WASHER Ø5/16" x 19mmL		16 PCS
					ALLEN KEY		1 PCS



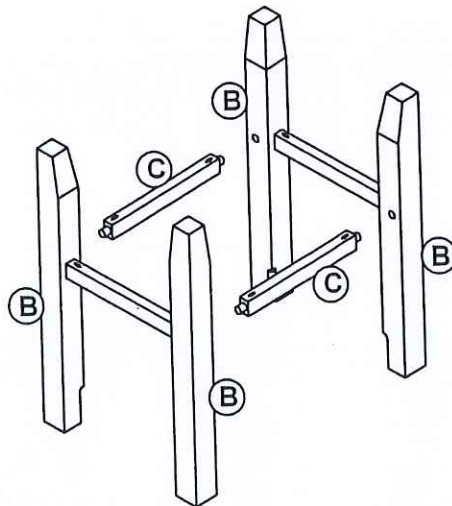
# ASSEMBLY INSTRUCTIONS

STEP 1:

B   
Ø4 x 38 -4 PCS

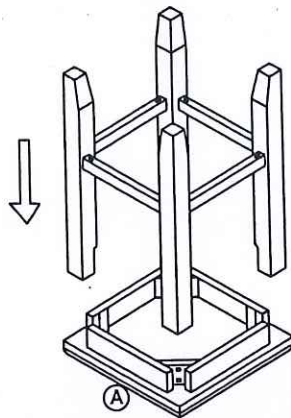


STEP 2:



# ASSEMBLY INSTRUCTIONS

STEP 3:

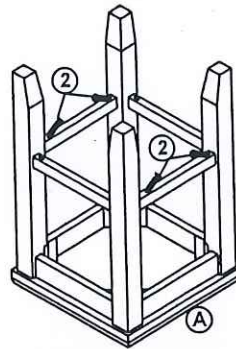


STEP 4:

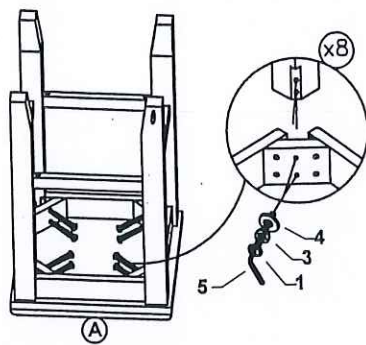
2



Ø4 x 38 - 4 PCS



STEP 5:



STEP 6:

