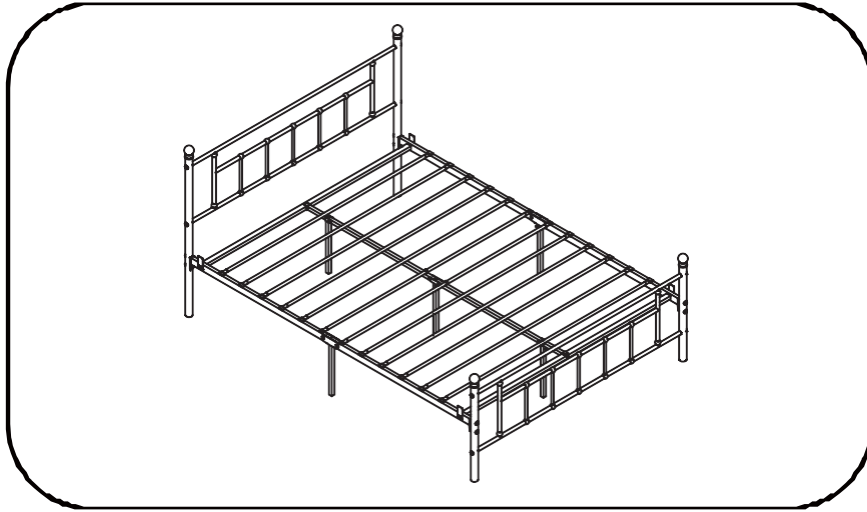


Bed



Assembly Instructions

Product Dimensions:
82.91"L×60.94"D×41.73"H

Please take a moment to read through the entire instruction booklet before assembly to familiarize yourself with this product. Once you feel ready to start, follow the instructions step by step and this should make this process as easy as we could make it for you.

WARNING CAUTION

ADULT ASSEMBLY REQUIRED CHOKING HAZARD

- This product includes small parts, sharp points and sharp edges in its unassembled state. Keep unassembled parts away from children under 3 years of age, and animals.

SAFETY WARNINGS

- Follow the information on the warnings appearing on table and on the carton. Do not remove warning label from cabinet.
- Do not allow children under 3 years of age to use the desk.
- Do not use substitute parts. Contact the manufacturer or dealer for replacement parts.

FURNITURE TIP-OVER HAZARD

Children have died from furniture tip-over

To reduce the risk of furniture tip-over:

- ALWAYS install tip-over restraint especially if used by a wall or in the open.
- NEVER put a TV on this product
- NEVER allow children to stand, climb or hang on bed.
- NEVER open more than one drawer at a time.
- ALWAYS place heaviest items in lowest bed.

PARENTAL SUPERVISION IS REQUIRED

- Parents or Guardians should supervise use under the intended age specifically regarding children that may have access to it and climb on the unit.
- Do not allow horseplay on, under, or behind the unit and prohibit jumping on the bed.
- If used improperly, your bed may be pulled over or fall, creating risk of injury or damage. Children should not be permitted to climb or pull on the bed.

USE, MAINTENANCE & ASSEMBLY

- Periodically check and ensure that the components are in their proper position, free from damage, and that all connectors are tight.
- Use on level surfaces only. Assemble on a soft level surface to avoid damage to unit or floor.
- Do not use this item if any components are missing or damaged.
- Do not use substitute parts. Contact the manufacturer or dealer for replacement parts.
- Only clean using damp cloth and mild detergent, do not use bleach or abrasive cleaners.
- Check you have all components and tools listed on page 4
- Do not stand or put weight on this product during assembly, this could cause damage.
- Remove all hardware from the plastic bags and separate them into groups.
- Assemble the item as close to its final position (in the same room) as possible.
- Certain assembly steps may be easier with 2 people.
- Dispose of all packaging carefully and responsibly.
- We do not recommend power screwdrivers. Only use hand screwdrivers to prevent damage to unit.
- Keep these instructions for future reference.

~~Enfants morts suite au basculement d'un meuble.~~

Afin de limiter le risque de basculement de meuble:

- TOUJOURS utiliser les fixations anti-basculement.
- NE JAMAIS installer de TV sur ce produit.
- NE JAMAIS laisser d'enfants se tenir debout sur les tiroirs, portes ou étagères, y grimper ou s'y suspendre.
- NE JAMAIS ouvrir plus d'un tiroir à la fois.
- TOUJOURS placer les choses les plus lourdes dans les tiroirs du bas.

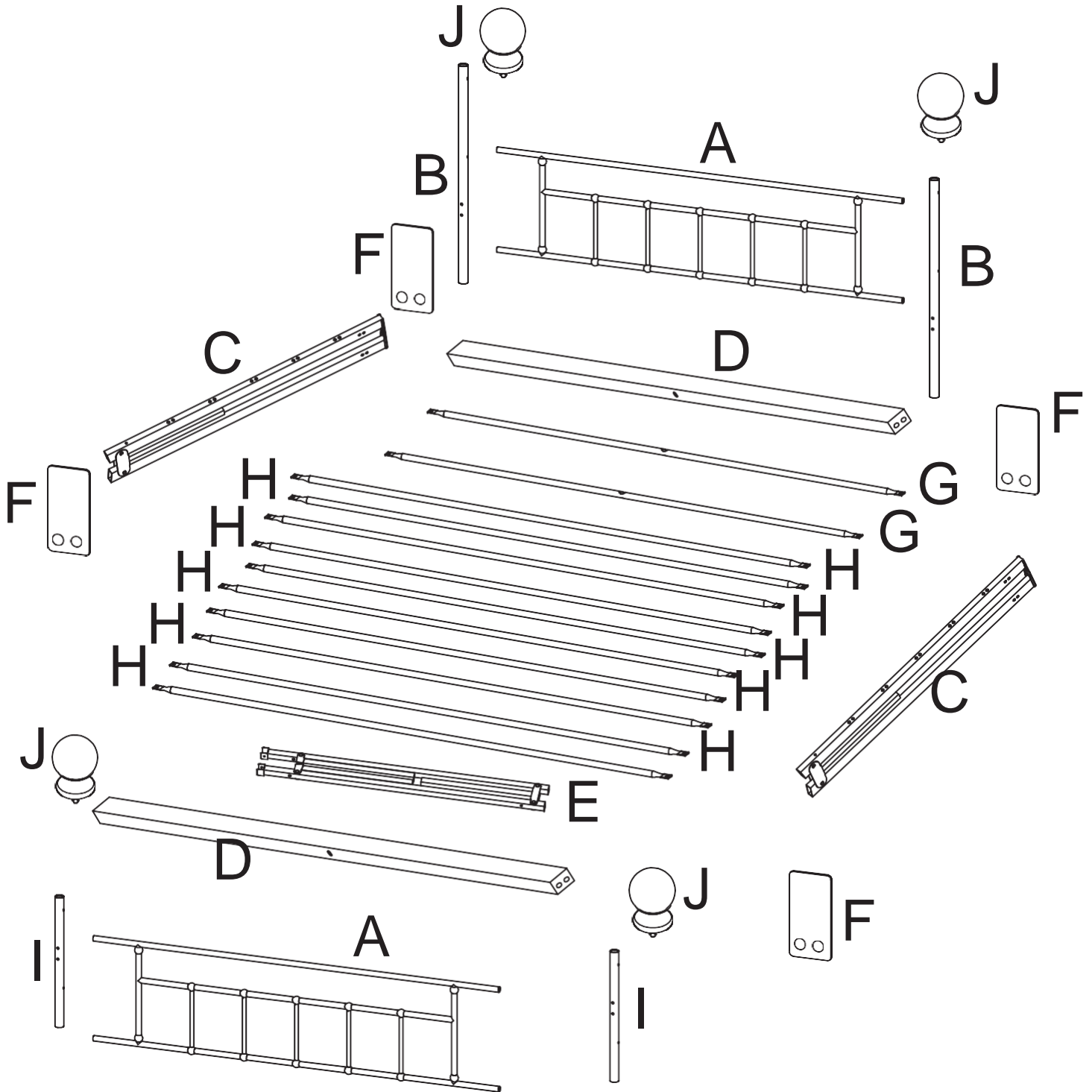
~~Han muerto niños por el vuelco de muebles.~~

Para limitar el riesgo de vuelco de los muebles:

- Utilizar SIEMPRE las fijaciones antivuelco que suministran.
- NUNCA instalar un TV sobre este producto.
- NUNCA permitir que los niños se pongan de pie, trepen o se cuelguen de los cajones, puertas o baldas.
- NUNCA abrir más de un cajón a la vez.
- Colocar los objetos más pesados en los cajones inferiores.

ASSEMBLY AT A GLANCE

Please take a moment to read through the whole instruction booklet before assembly to familiarize yourself with this product. Once you feel ready to start, follow the instructions step by step and this should make this process as easy as we could make it for you.

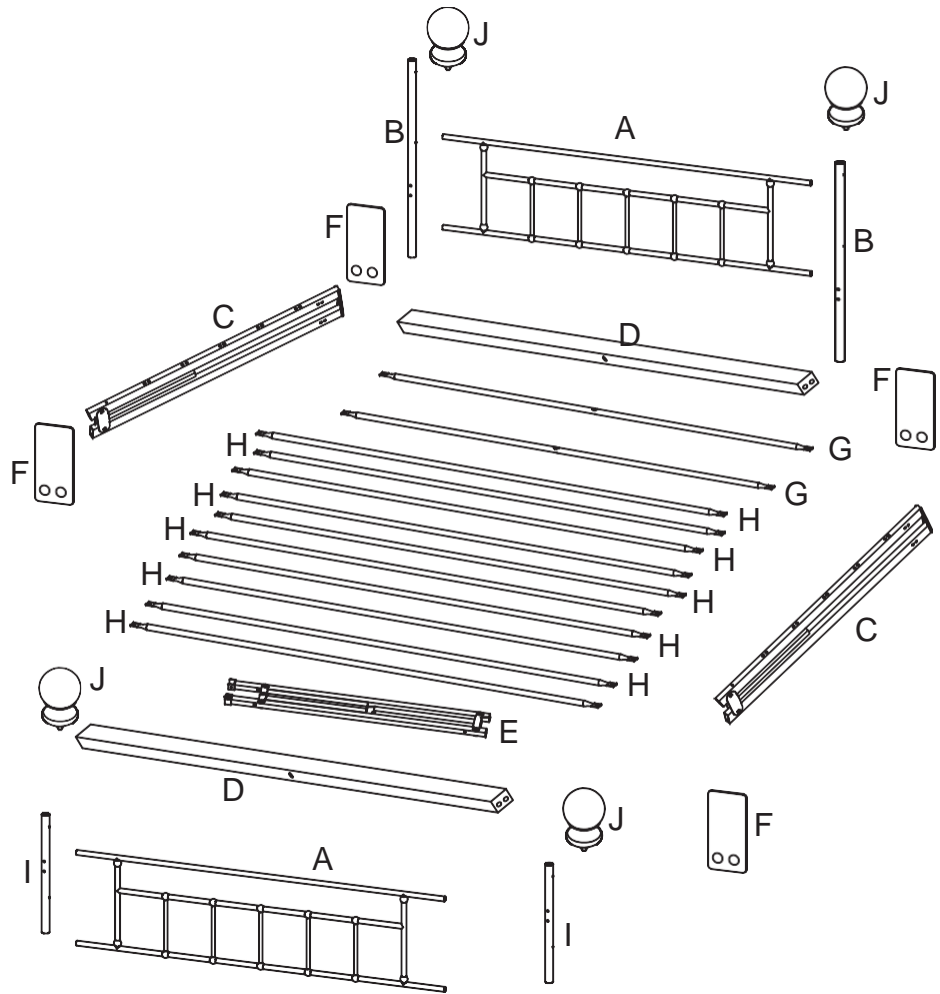


This drawing is to give you an overall idea only of how this assembly will go together and does not replace the assembly instructions.

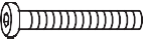




COMPONENT PARTS

Please check that you have all the parts listed below

- A. Head/End of Bed x2
- B. Long Headstock x2
- C. Bed Bracket x2
- D. Head/End of Bed Stand x2
- E. Bed Middle Stand x1
- F. Baffle Sheet x4
- G. Bed Middle Guardrail x2
- H. Bed Guardrail x10
- I. Bed Rail x2
- J. Baluster Head x4

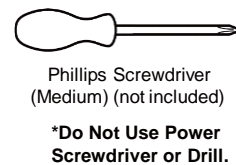
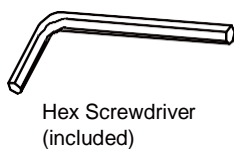


ASSEMBLY HARDWARE

- | | | | | | | | | | |
|---|---|---|---|---|---|---|---|---|---|
| 1 |  | 2 |  | 3 |  | 4 |  | 5 |  |
| | M8x55 Bolt x4 | | M6x55 Bolt x8 | | M6x40 Bolt x10 | | M6x35 Bolt x6 | | M6x25 Bolt x2 |

- | | | | | | | | |
|---|---|---|---|---|--|---|---|
| 6 |  | 7 |  | 8 |  | 9 |  |
| | M6x12 Bolt x4 | | Stop Bolt x16 | | Bolt x4 | | Plastic End Cap x20 |

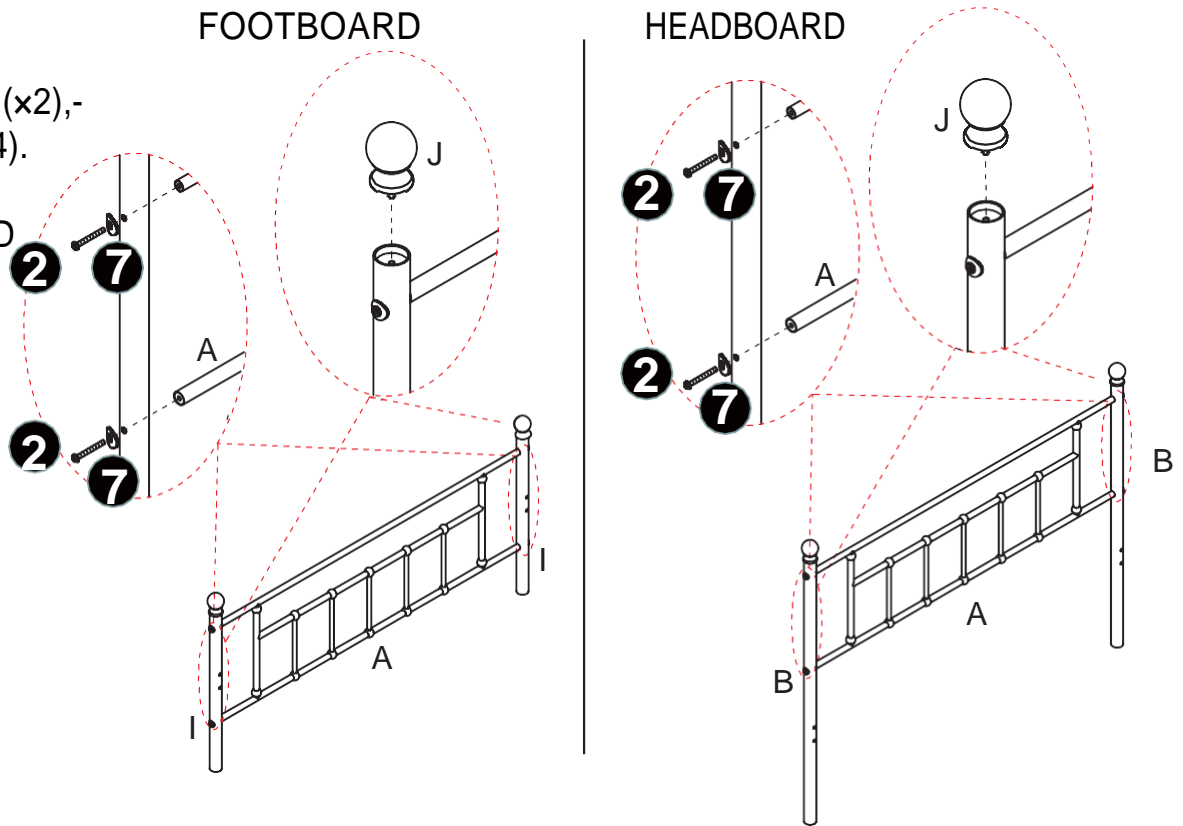
Tools Required



ASSEMBLY INSTRUCTIONS

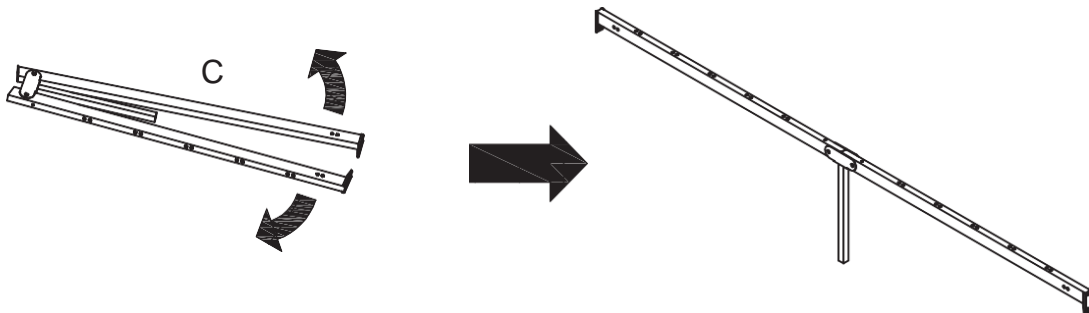
1

Select A(x2), B(x2), I(x2), J(x4), 2(x4), and 7(x4).
Insert I(x2) into two sides of FOOTBOARD with 2(x4), 7(x4).
Install J(x2) into I(x2). Repeat for HEADBOARD.



2

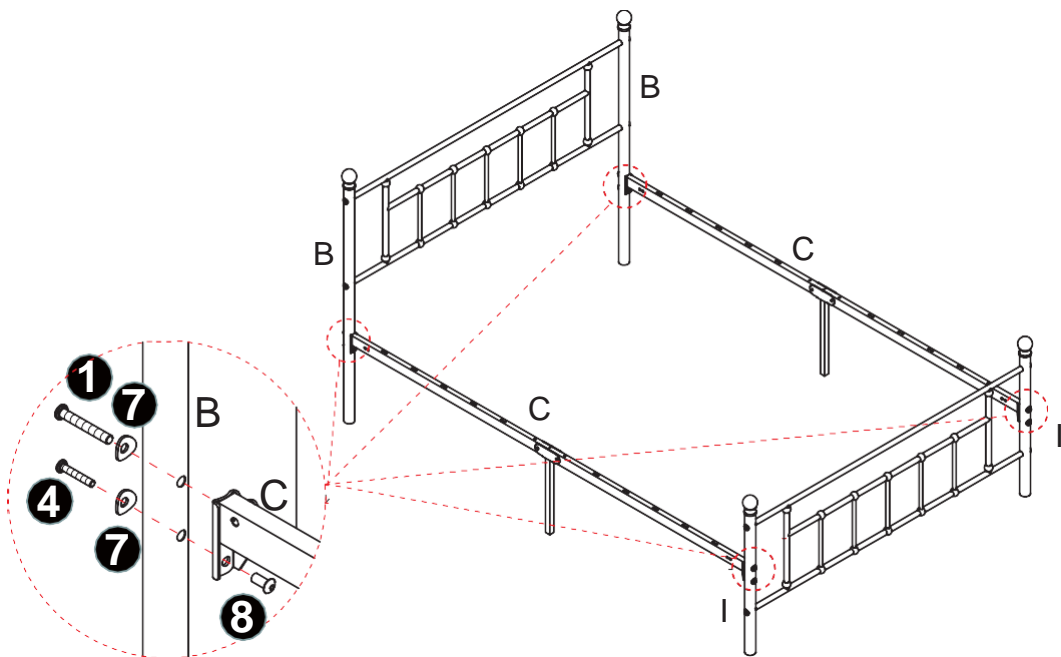
Select C(x2). Straighten the folding stand C(x2).



ASSEMBLY INSTRUCTIONS

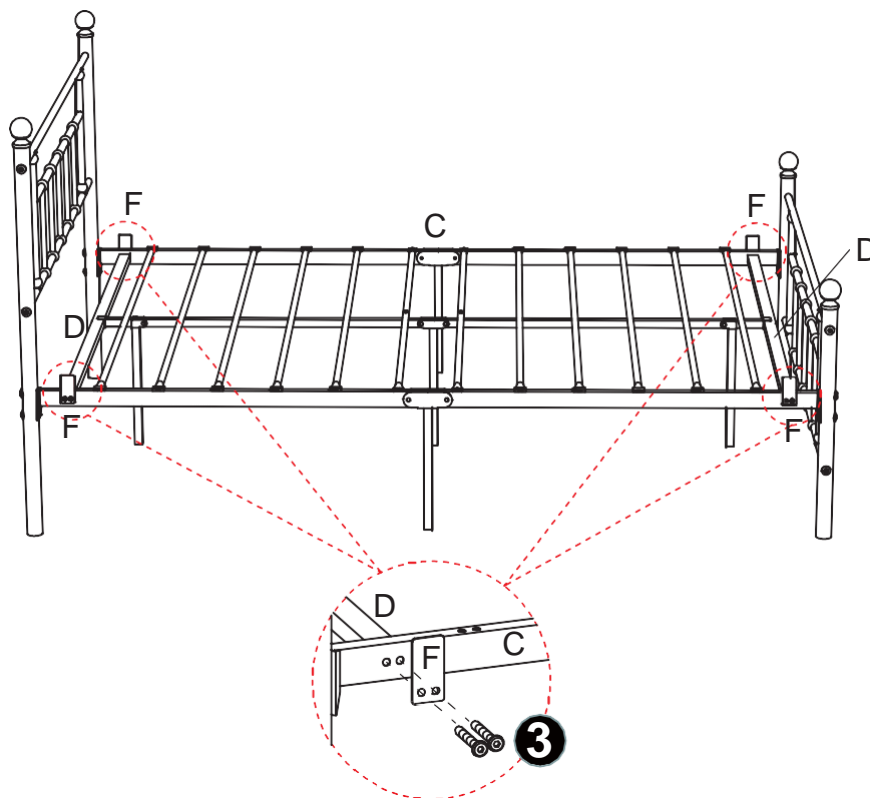
3

Select C (x2), 1 (x4), 4 (x4), 7 (x8) and 8 (x4). Affix Headboard Assembly to C (with part 3 tab facing down so middle leg is on the floor) to B using 1 & 7 into the top hole of B into C and finger tighten. Insert 4, 7 through lower hole in B through C and finger tighten to 8. Affix Footboard Assembly I to C with 1&7 in top hole and 4,7,8 in bottom hole. Repeat steps for other part C to part B and I. Tighten all bolts with wrench.



4

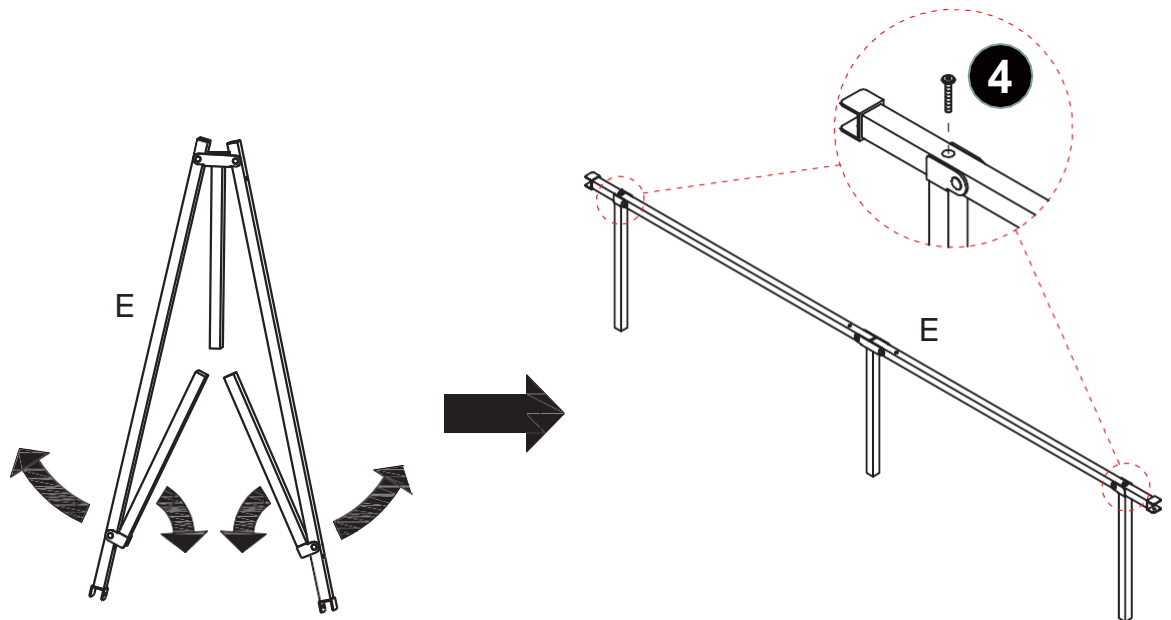
Select D(x2), 3(x8). Insert F into C into D with 3 (x2) . Repeat for another F.



ASSEMBLY INSTRUCTIONS

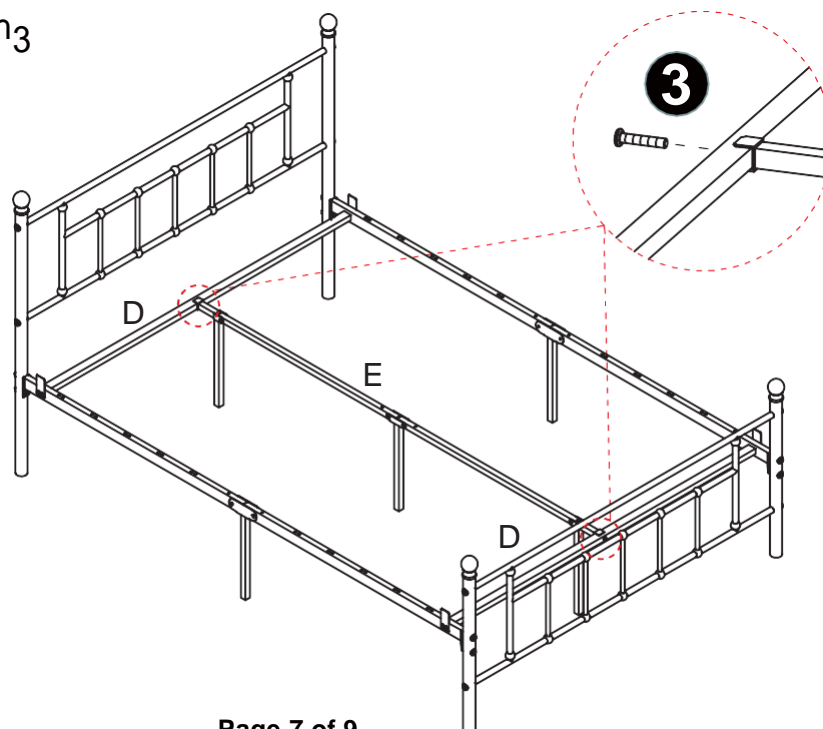
5

Select 4(x2). Straight the E. Insert 4(x2) into two sides of E.



6

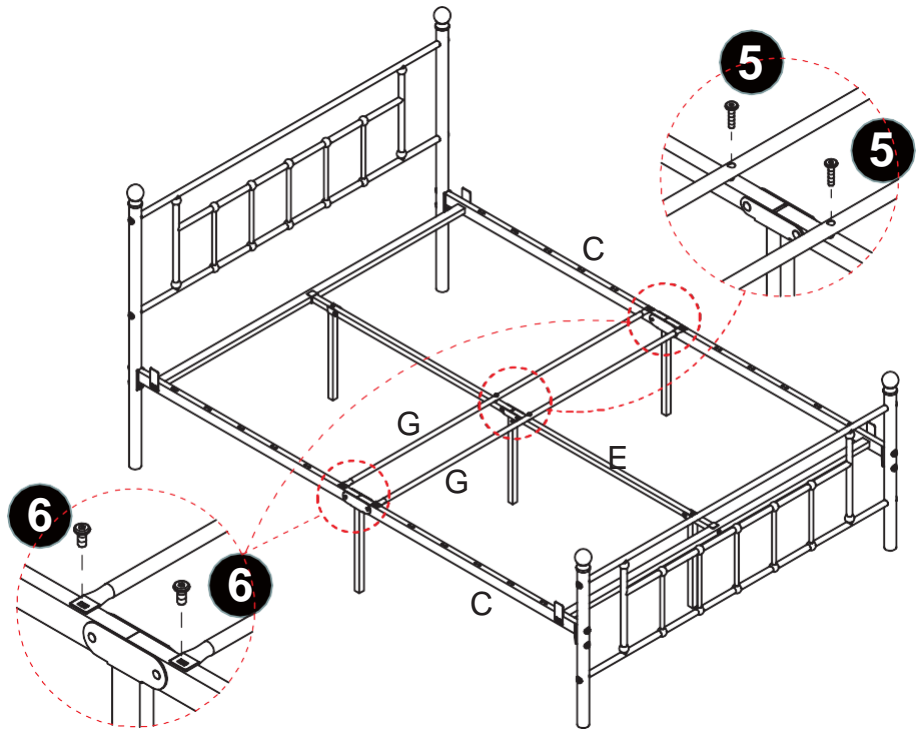
Place E between Ds in the center and affix to D with 3 (x2).



ASSEMBLY INSTRUCTIONS

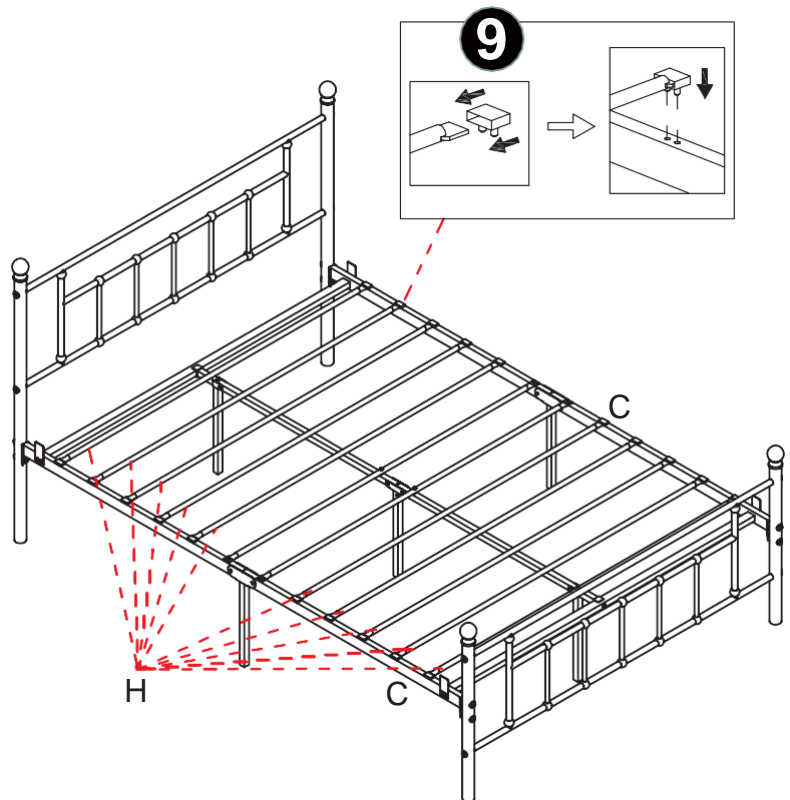
7

Select G (x2), 6 (x4), 5(x2). Align G across Cs and E near the center leg over the closest holes. Insert F bolt through end of G into C and tighten. Repeat for other end of G to C with 6. Insert 5 into center hole and tighten to E. Repeat steps for other G in the holes at other side of Cs center leg.

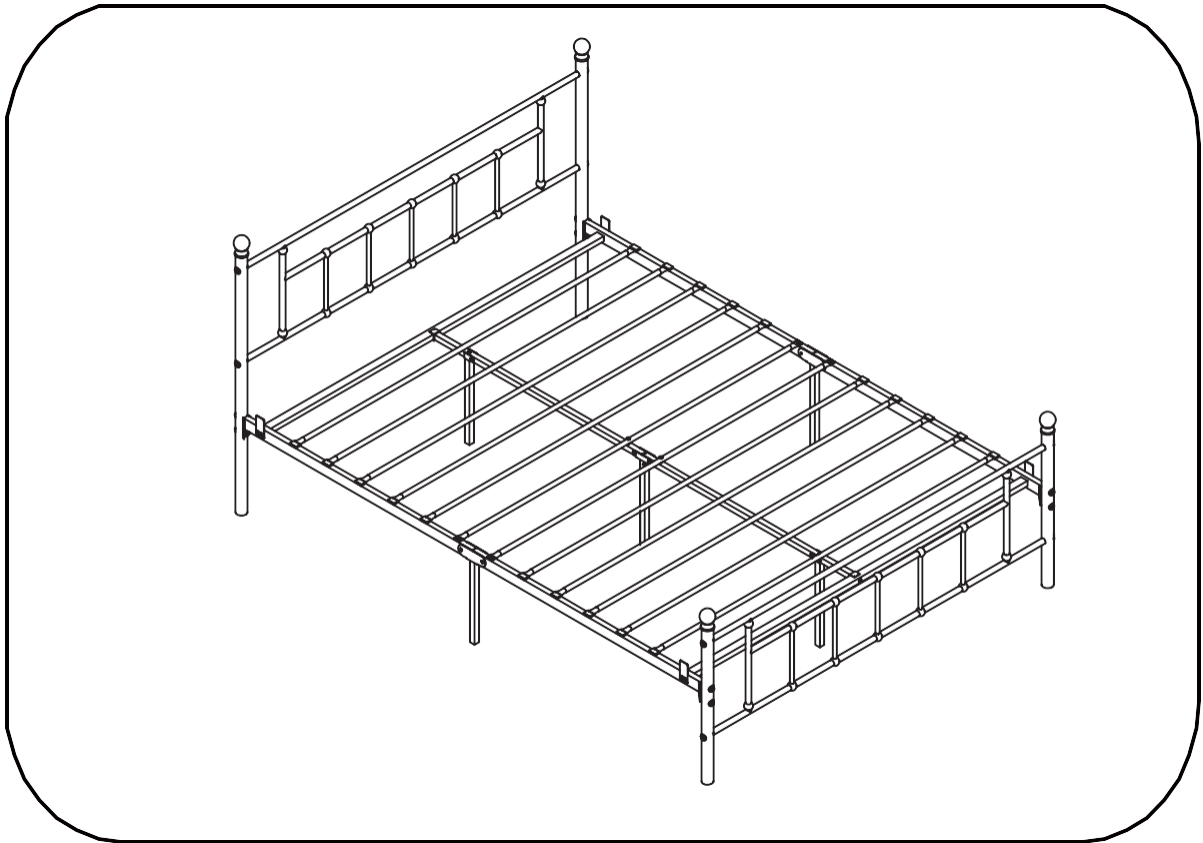


8

Select H(x10), 9(x20). Slide 9(x2) over the ends of H. Align H over holes in C and insert 9 tabs into C until clicks. Repeat for other end of H. Repeat all steps for H (x9).



ASSEMBLY COMPLETE



**CONGRATULATIONS, YOUR BED IS
COMPLETE!**