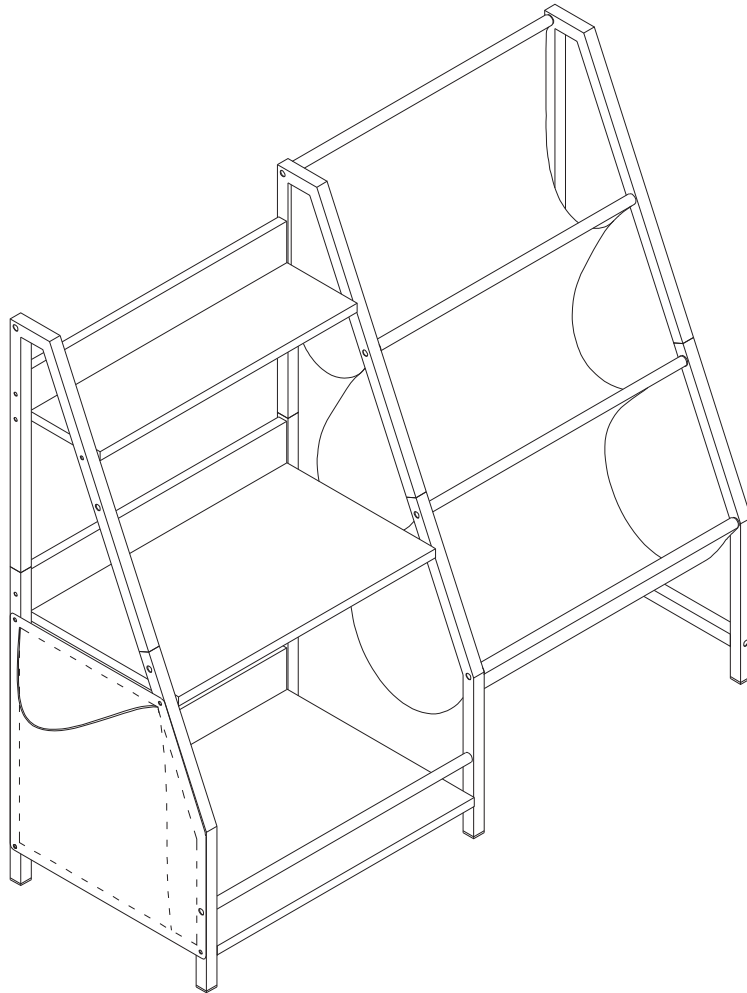


USER MANUAL



THANK YOU FOR PURCHASING OUR PRODUCT



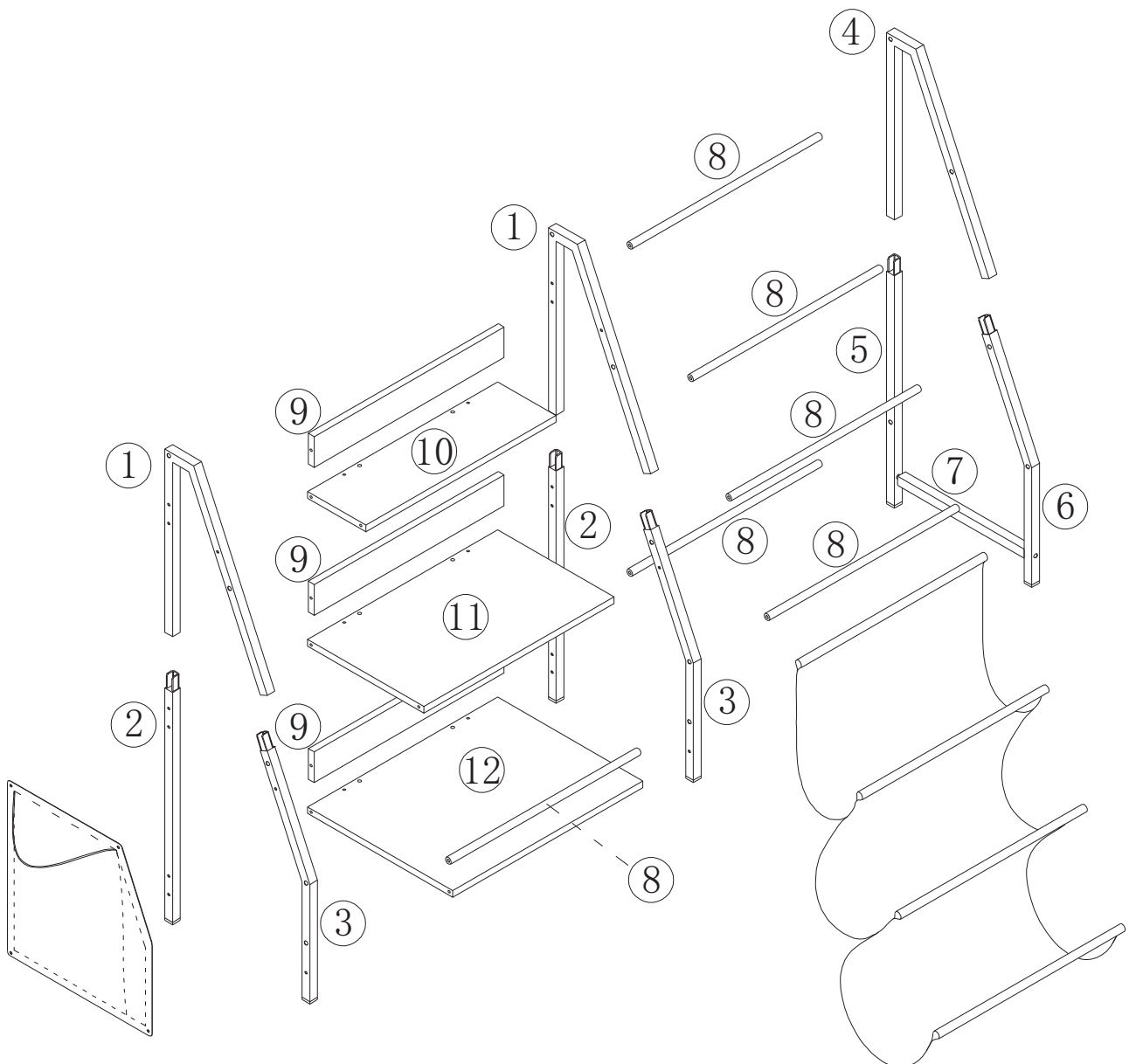
Please scan the QR code to refer to the installa

Note: Please contact us if you encounter any problems with the install on,missing or replacement parts,and tell us your "ORDER ID," we will solve the issue for you as soon as possible.

online video: <https://buylikepro.com/pages/3-tier-bookshelf-support>

Installation Instructions

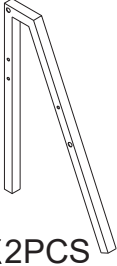


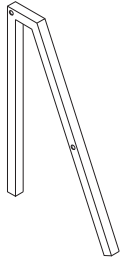


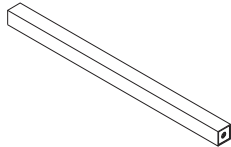
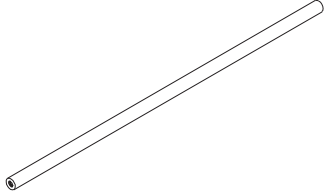
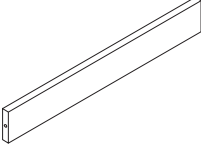
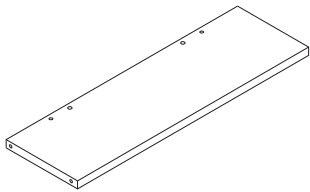
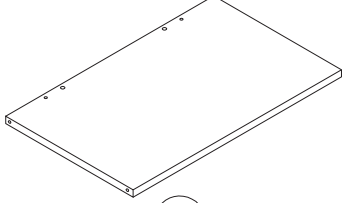
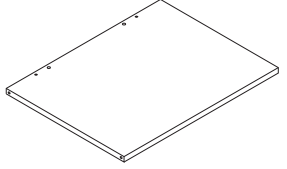
Note: Avoid fully tightening screws during initial assembly in case of assembly errors. Tighten screws only after all parts have been properly assembled.

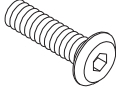
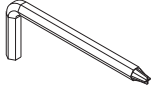
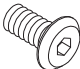
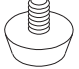
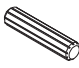

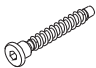
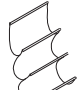
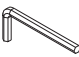
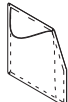


- Please avoid harsh, corrosive, and abrasive cleaners.
- Keep dry and avoid damp environments.

Please read this manual carefully before installation and keep it well for future reference.

List of Installation Accessories

 ① X2PCS	 ② X 2PCS	 ③ X 2PCS	 ④ X 1PC
 ⑤ X 1PC	 ⑥ X 1PC	 ⑦ X 1PC	 ⑧ X 6PCS
 ⑨ X 3PCS	 ⑩ X 1PC	 ⑪ X 1PC	 ⑫ X 1PC

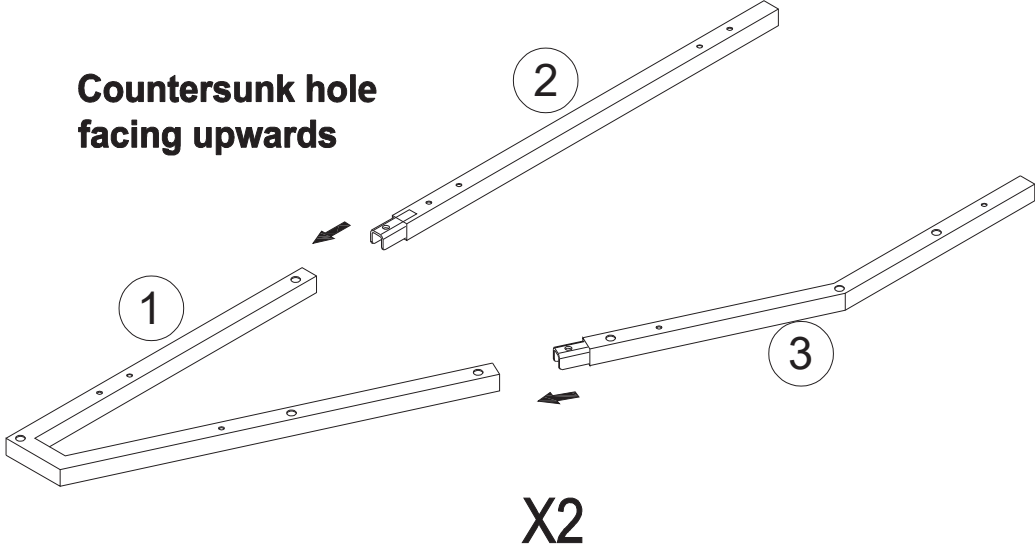
NO.	PICTURE	SIZE	QTY	NO.	PICTURE	SIZE	QTY
A		M6*30	14	F		M4	1
B		M6*12	6	G			6
C		6*30	6	H			2
D		ST5*40	24	I			1
E		M3	1	J			1



It takes at least two people to assemble the product.

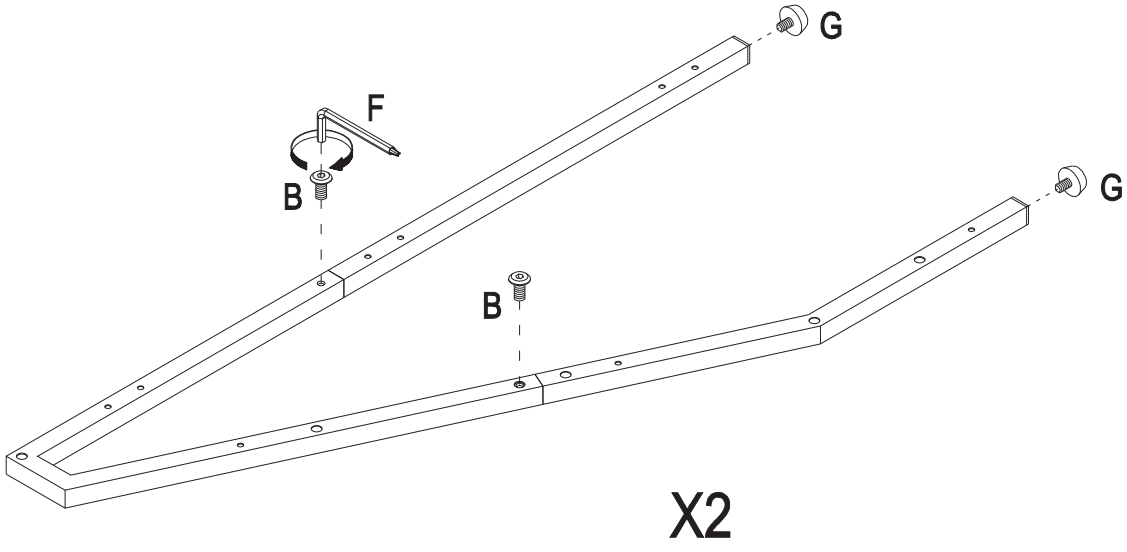
Installation Instructions

STEP 1



Pay attention to the hole position.

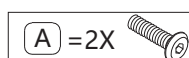
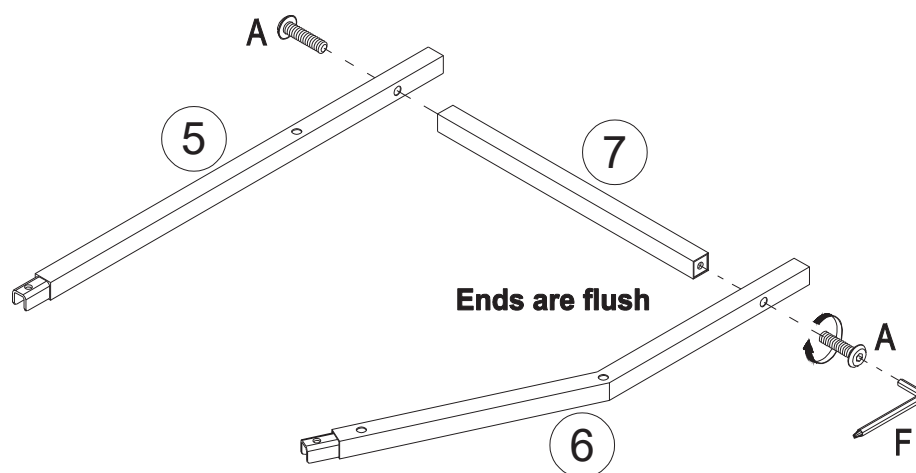
STEP 2



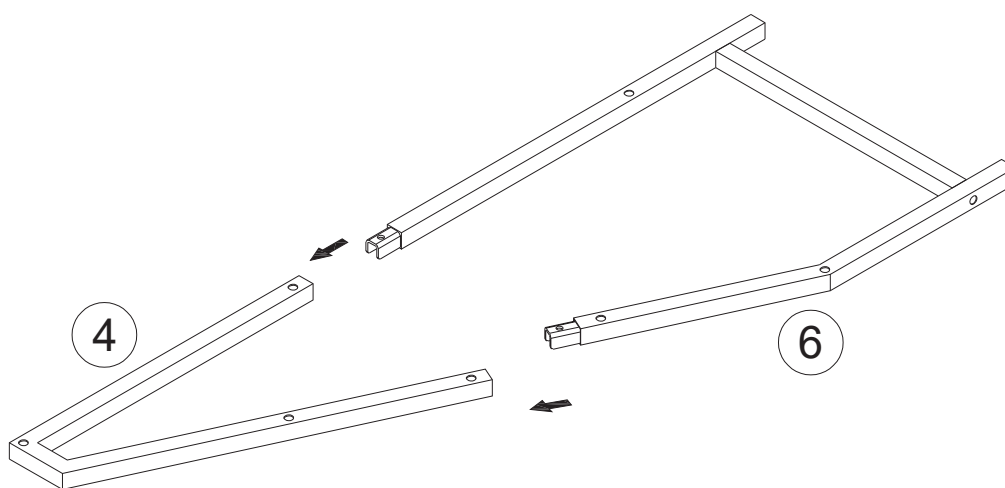
B = 4X		G = 4X	
--------	---	--------	---

Installation Instructions

STEP 3

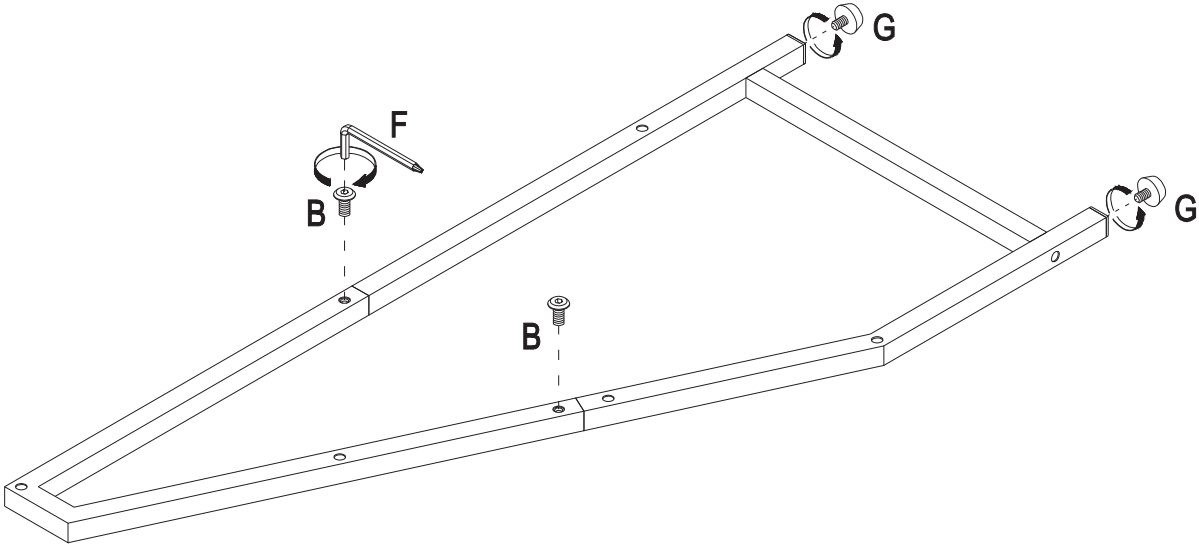


STEP 4



Installation Instructions

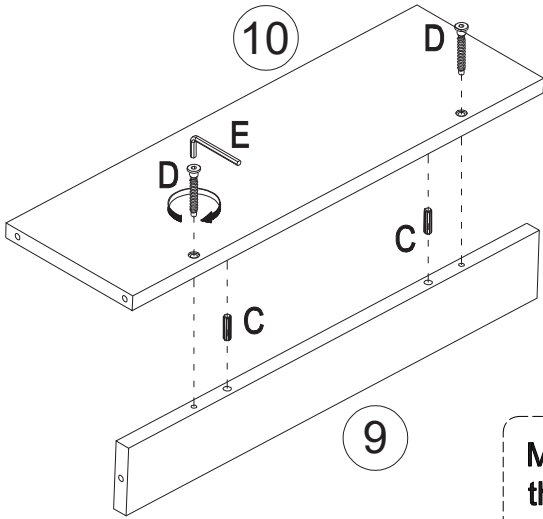
STEP 5



Pay attention to the hole position.



STEP 6

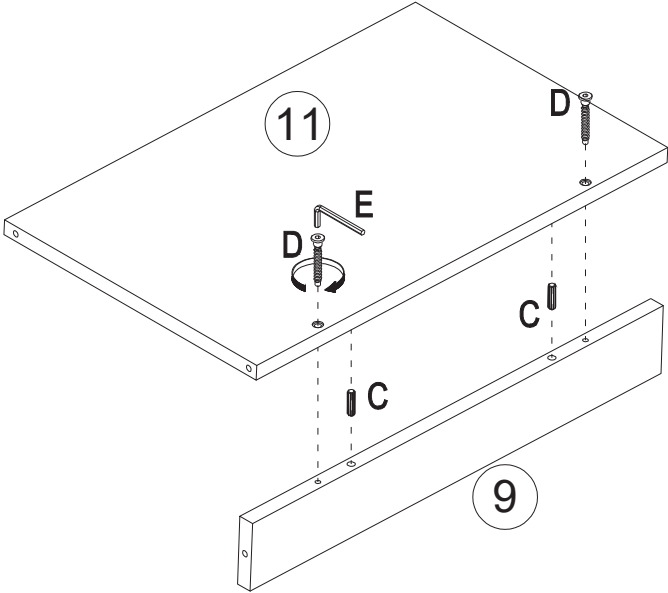


Make sure the sides and bottom are flush

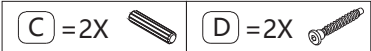


Installation Instructions

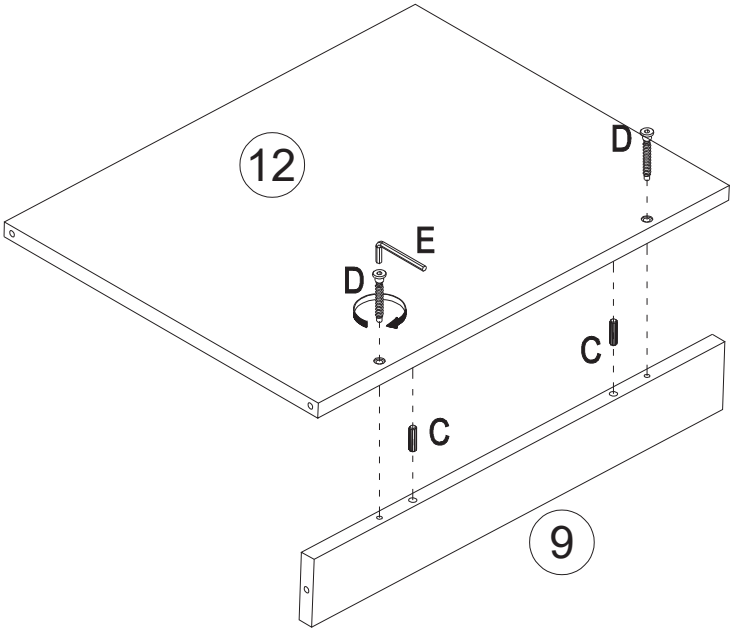
STEP 7



Pay attention to the hole position.

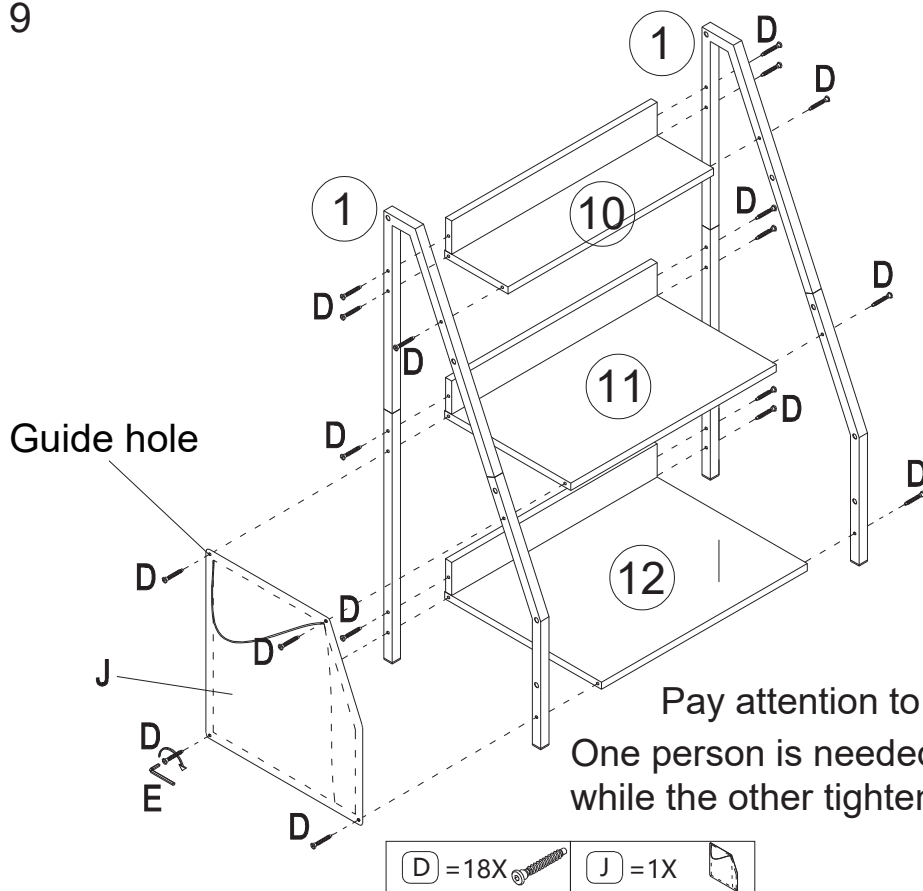


STEP 8

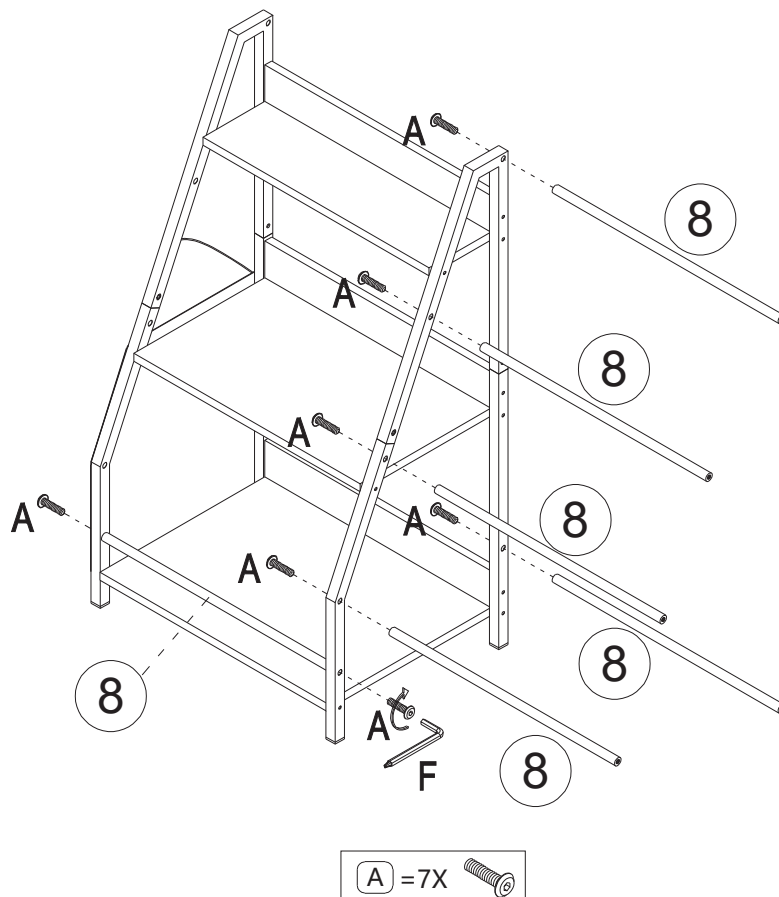


Installation Instructions

STEP 9

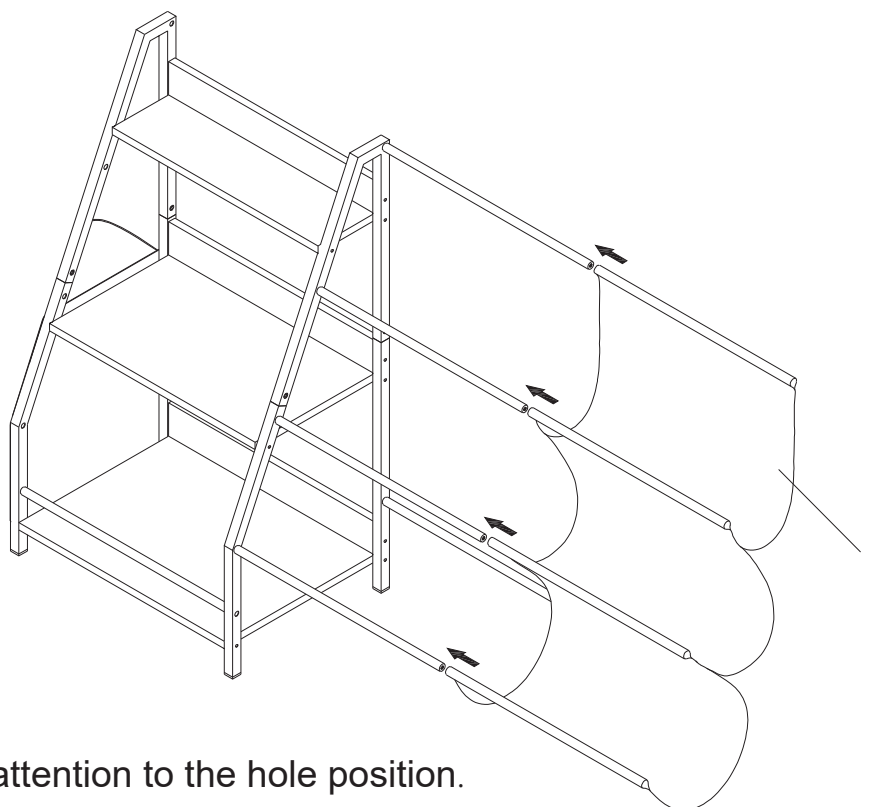


STEP 10



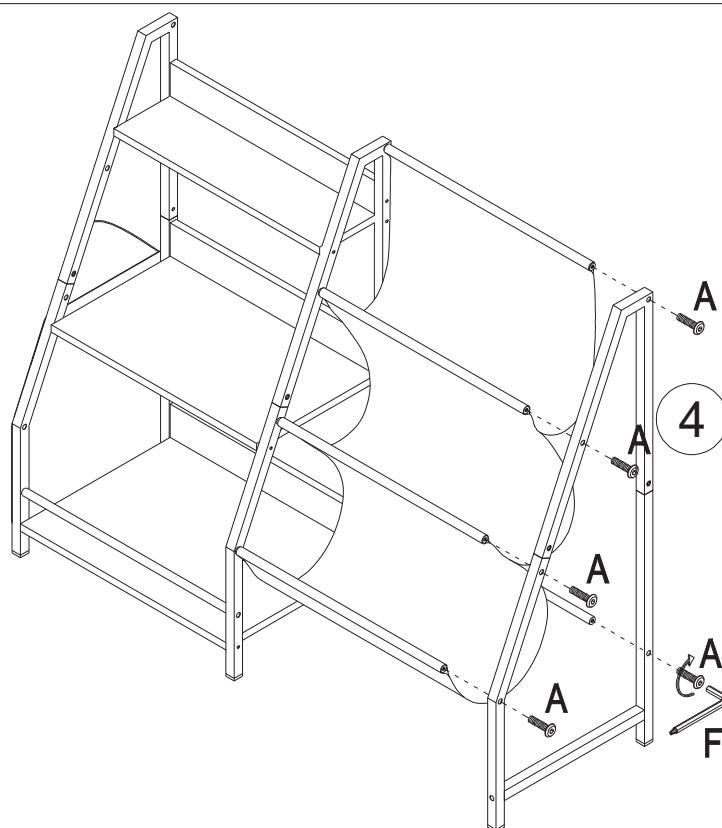
Installation Instructions

STEP 11



Pay attention to the hole position.

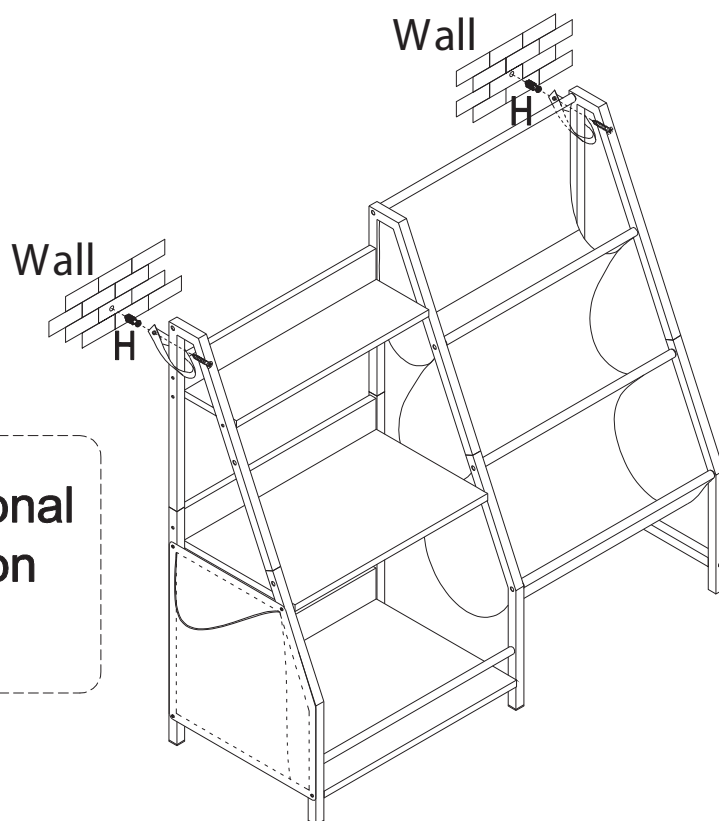
STEP 12




A = 5X 

Installation Instructions

STEP 13



Professional
installation
required

H = 2X 

STEP 14

