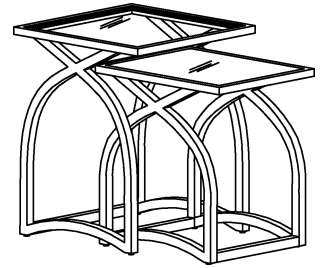


ASSEMBLY INSTRUCTIONS

I



BEFORE YOU START:

1. Check the parts against the parts list to make sure all items are present.
2. Assemble your furniture on a soft, flat surface to avoid scratching the finish.
3. **CAUTION:** Do not over tighten screws, nuts or bolts during assembly.
4. Your furniture may require occasional tightening.

INSTRUCTIONS:

1. Attach the Glass Pad (A) to the top frame as shown in Figure 1.
2. Set the clear glass into the top frame, antique glass into the shelf frame carefully.

Fig 1

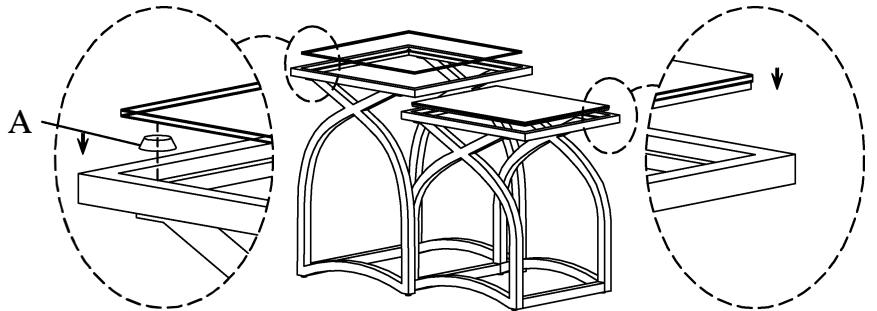
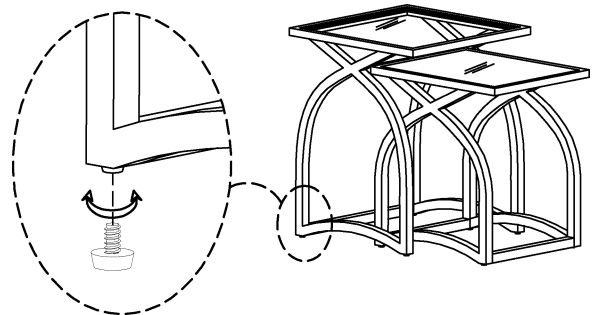



Fig 2



No.	Hardware List	Q'ty
A	 Glass Pad (Ø12*3mm)	4pcs