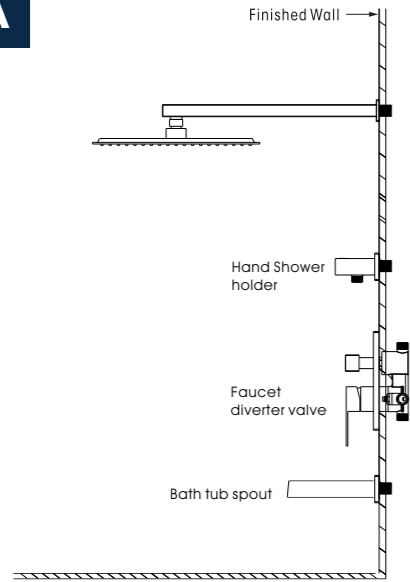
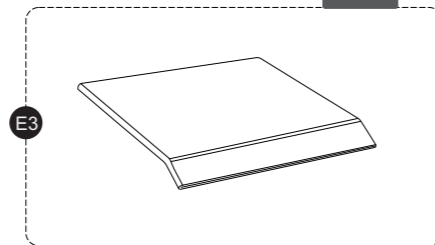
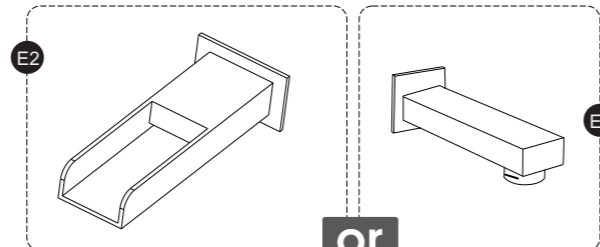
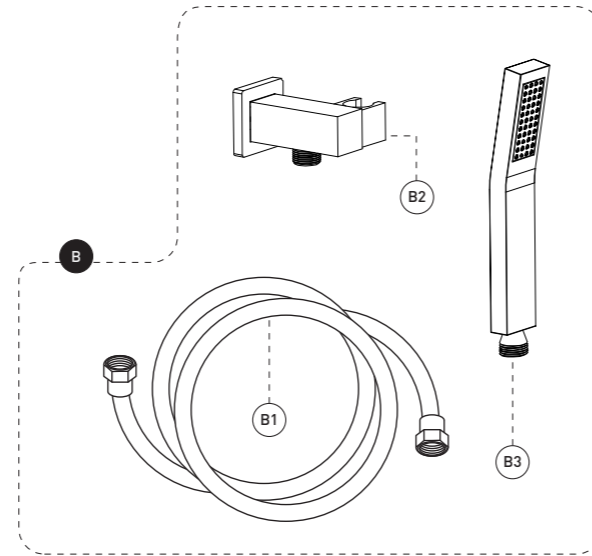
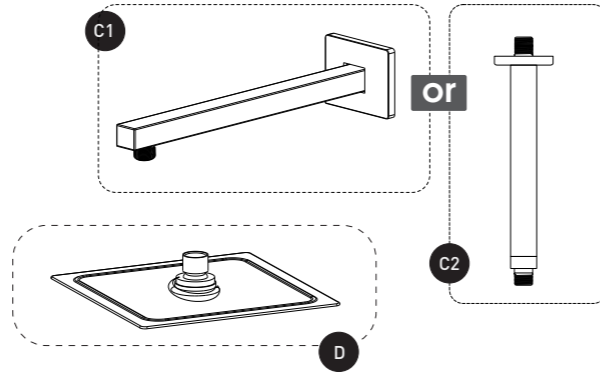
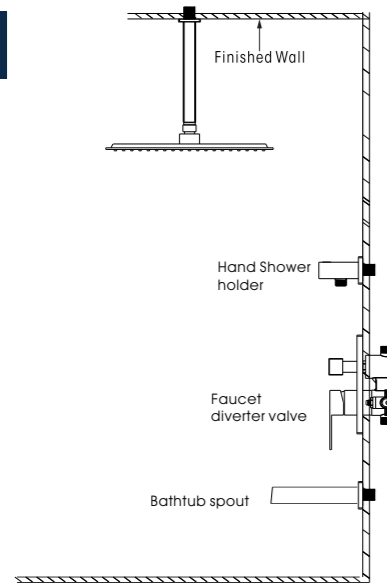


# INSTALLATION INSTRUCTION

**A**



**B**



No.	Description
<b>A</b>	Pressure balanced diverter valve
<b>A-1</b>	Valve
<b>A-2</b>	Face plate with sealjoint
<b>A-3</b>	Diverter kit
<b>A-4</b>	Fauset handle
<b>A-5</b>	Allen screw
<b>A-6</b>	Trim cap
<b>B</b>	Sliding bar kit with flexible hose
<b>B-1</b>	Flexible hose
<b>B-2</b>	Hand shower holder
<b>B-3</b>	Hand shower
<b>C1</b>	Shower arm and flange kit
<b>C2</b>	Ceiling shower arm and flange kit
<b>D</b>	Shower head
<b>E1</b>	Bathtub spout
<b>E2</b>	Bathtub spout waterfall
<b>E3</b>	Bathtub spout waterfall-plus

## RECOMMENDED TOOLS

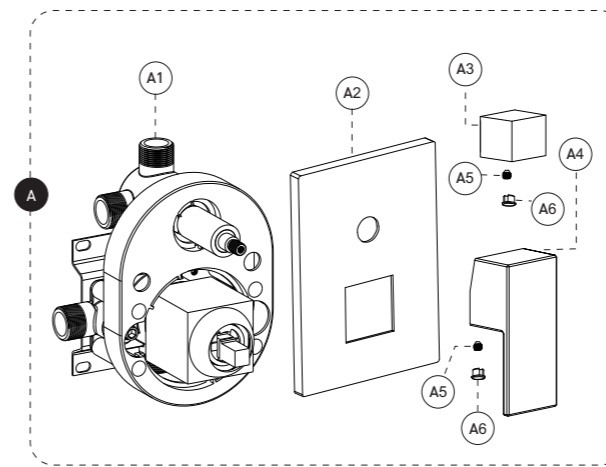
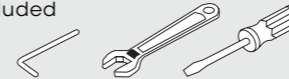
Plumber's putty



Thread seal tape



Included

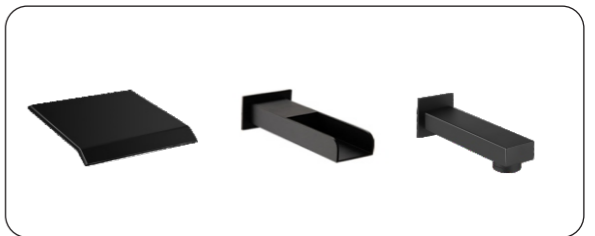


# SHOWER SYSTEM FAUCET

Installation instruction



MB/BN/BG/CH/ORB

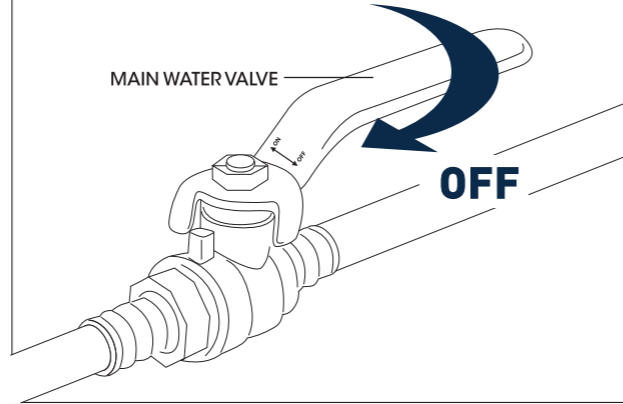


# ! IMPORTANT

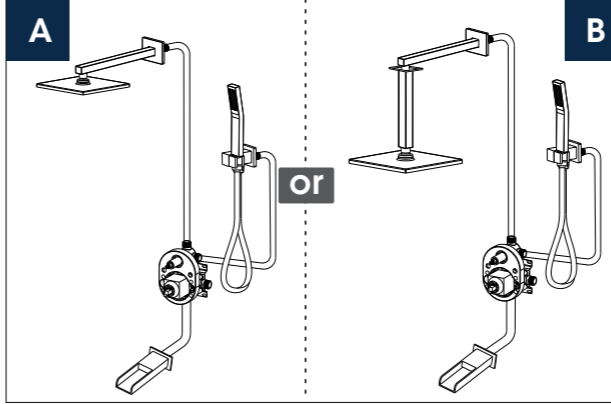
We recommend using a professional plumber for all installation and repair. Please inform yourself about the Canadian plumbing code's regulations and your local municipality plumbing codes before installation. The Canadian plumbing code requires the installation of surge arresting devices to eliminate water hammer. Allow an adequate opening in order to easily access connections or other plumbing devices for maintenance or repair.

## INSTALLATION STEPS

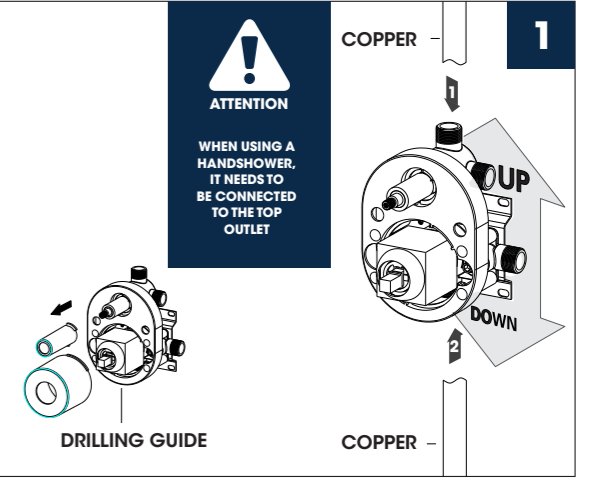
### BEFORE YOU BEGIN



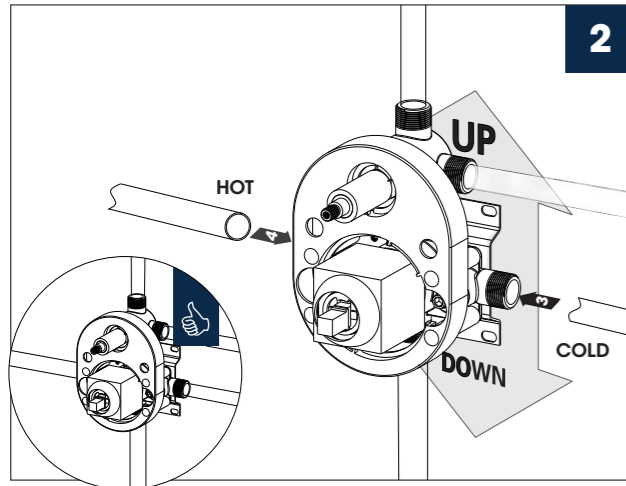
### INSTALLATION WAY



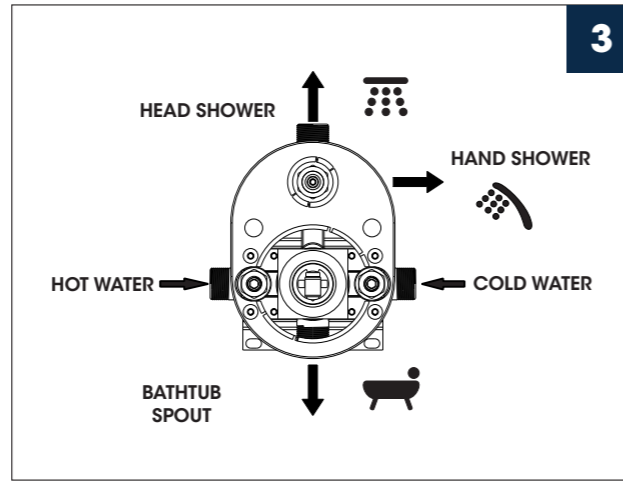
Rough-In-Installation primaire



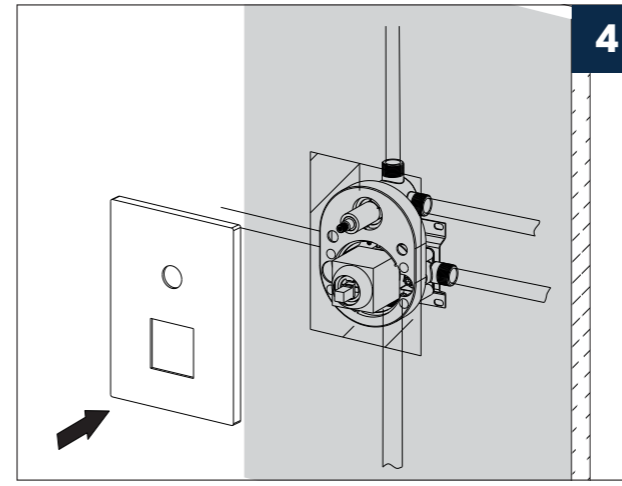
2



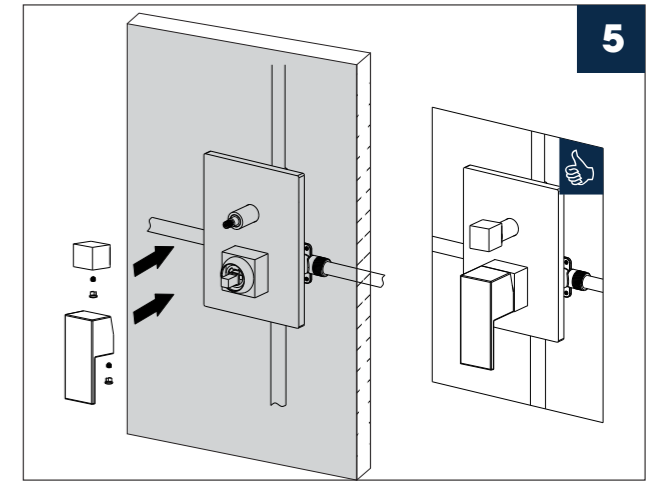
3



4



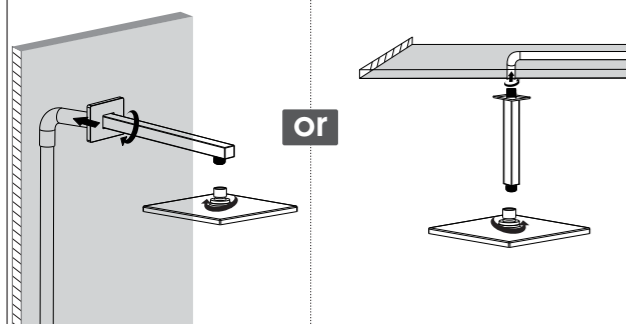
5



### HEAD SHOWER

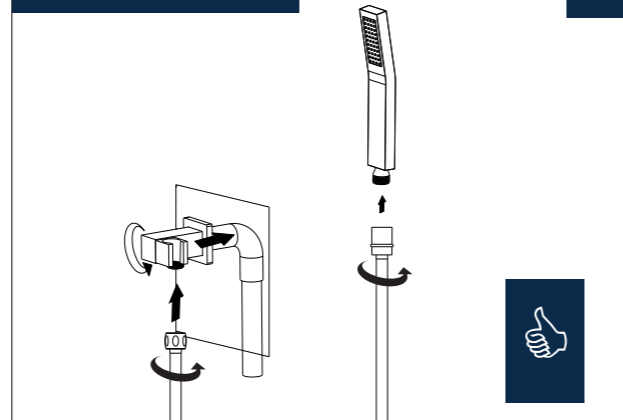
6A

6B



### HAND SHOWER

7



### BATH TUB

8

