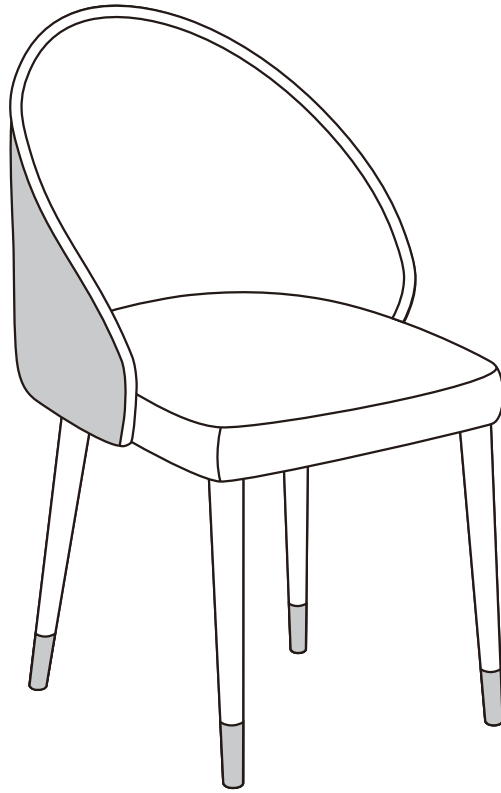


Dining Chair

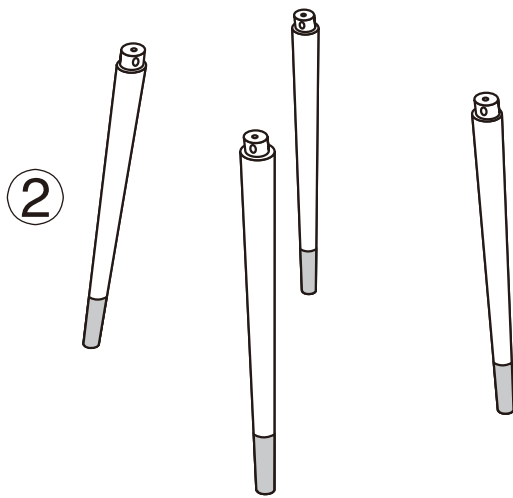
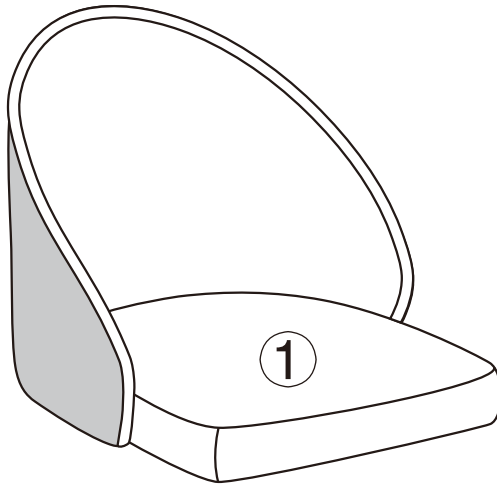


2 Persons

W50*D48*H79mm

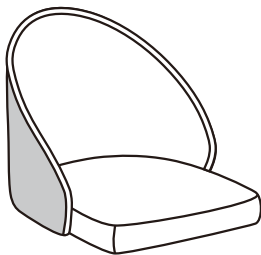
Installation Instructions

Notes: Don't tighten screws completely at first, just in case parts were assembled wrongly and need disassemble. Tighten screws at last when all parts are put together.



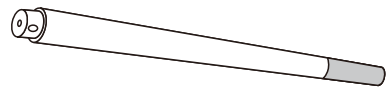
Disassembly and installation of accessories

1



1 PCS

2



4 PCS

A

4PCS



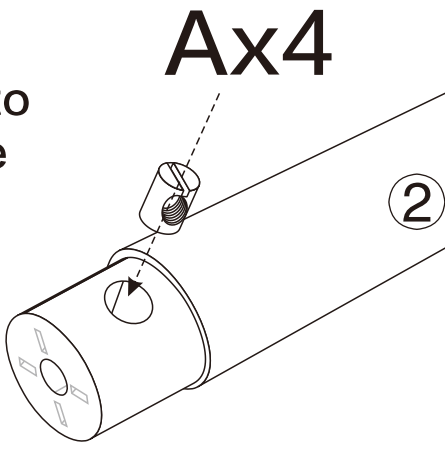
15*10mm




Tools
Recommended

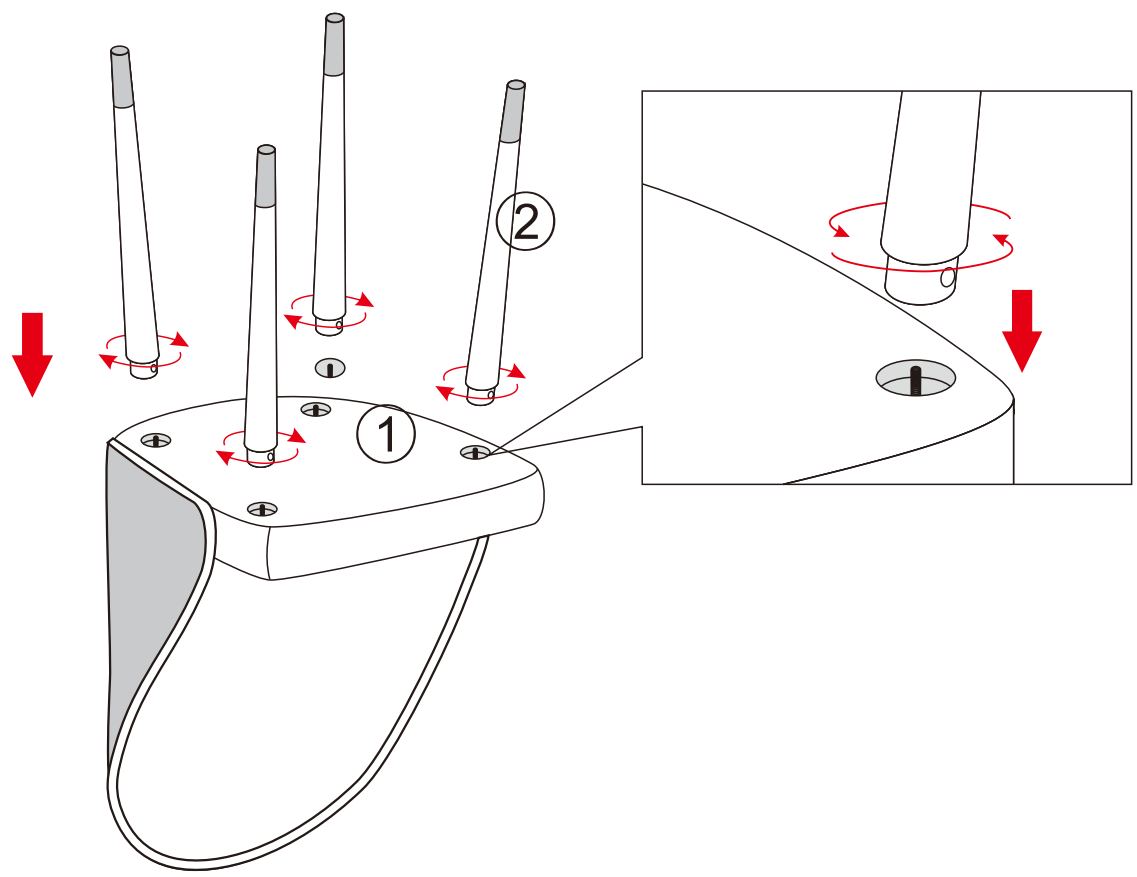
1

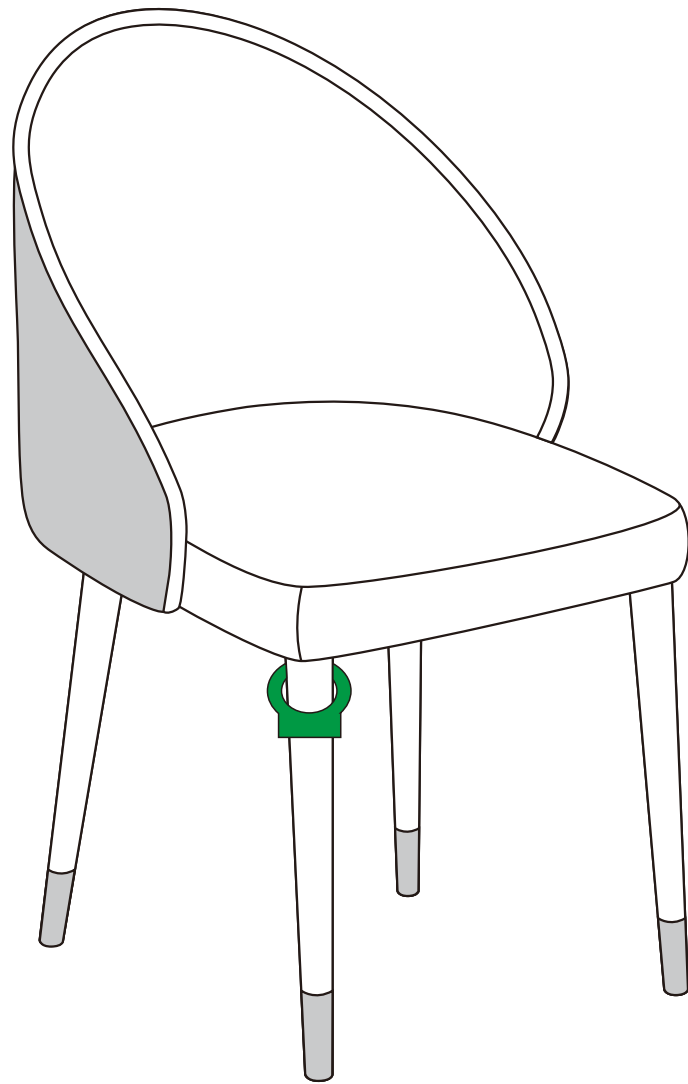
▲ Put the nut into the hole of the chair foot



A	4PCS
	
15*10mm	

2





OK