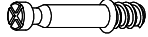






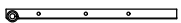




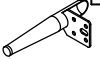


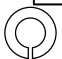







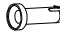

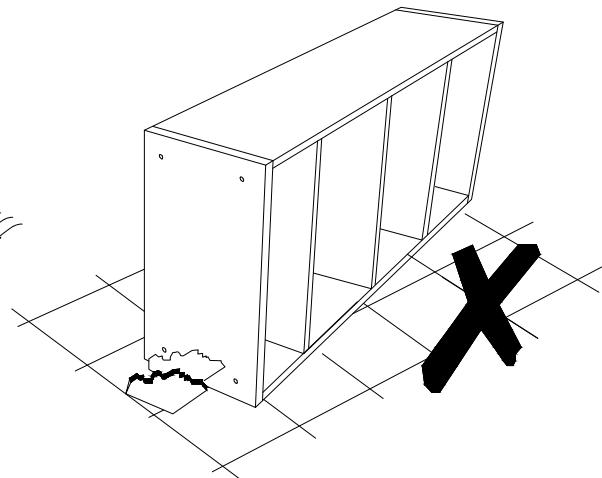
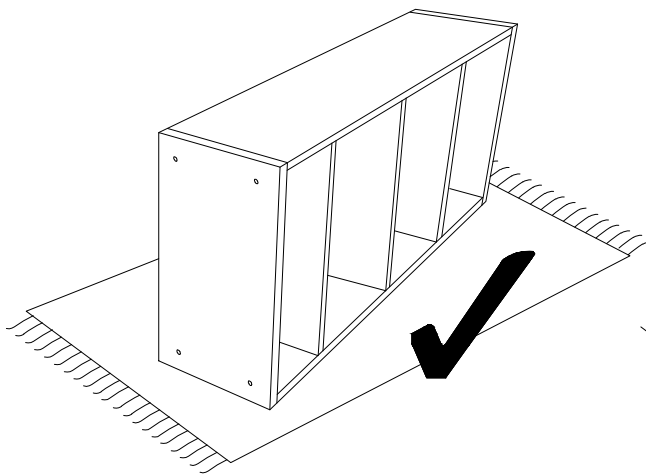
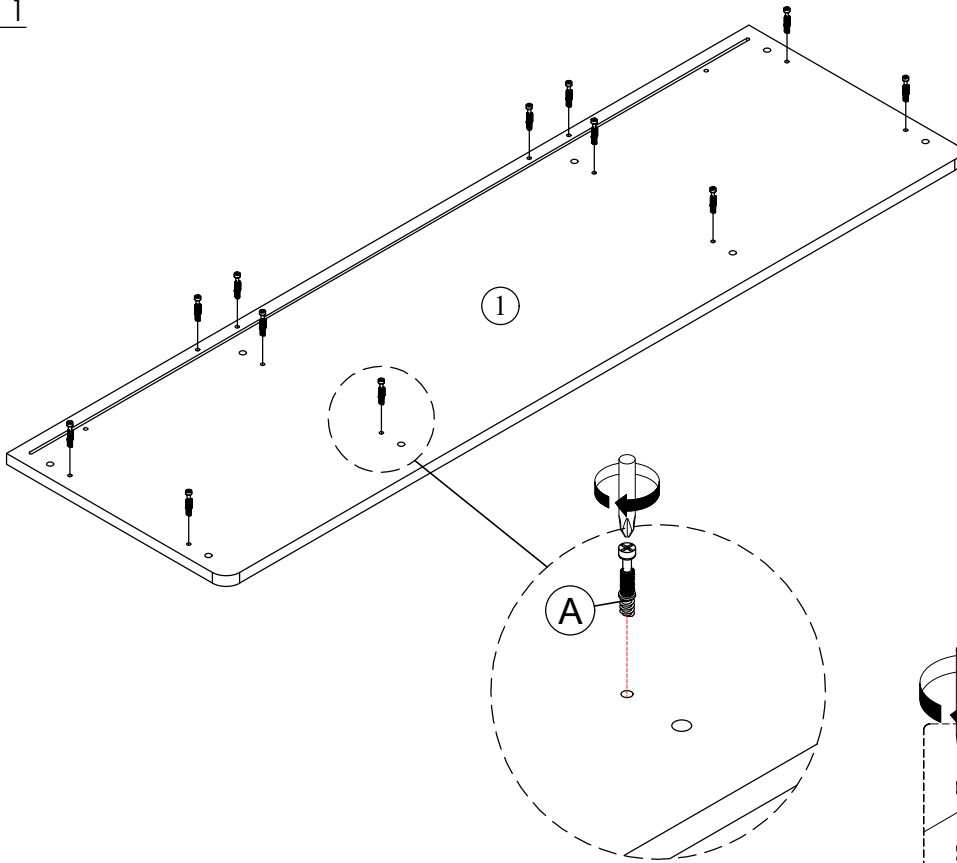


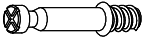
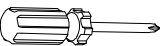
HARDWARE

A	x22 x2 (SPARE)		B	x22 x2 (SPARE)		C	x38 x2 (SPARE)		D	x2 x2 (SPARE)		CR	x1		CL	x1	
		Ø15x9.5mm			Ø8x30mm			Ø6x30mm			300mm			300mm			
DR	x1		DL	x1		E	x64 x2 (SPARE)		F	x14 x2 (SPARE)		G	x8 x2 (SPARE)		H	x8	
		300mm			300mm			M3.5x16mm			M4x38mm						
I	x4		J	x1		K	x16 x2 (SPARE)		L	x16 x2 (SPARE)		M	x16 x2 (SPARE)		N	x10 x2 (SPARE)	
		90x59xH218 mm			54x54xH145 mm			M6x16mm			M6						
O	x10 x2 (SPARE)		P	x1		Q1	Q2	Q3	Q4	x2	 +  +  + 	R	x1				
					M4									SETS		SCREW DRIVER	

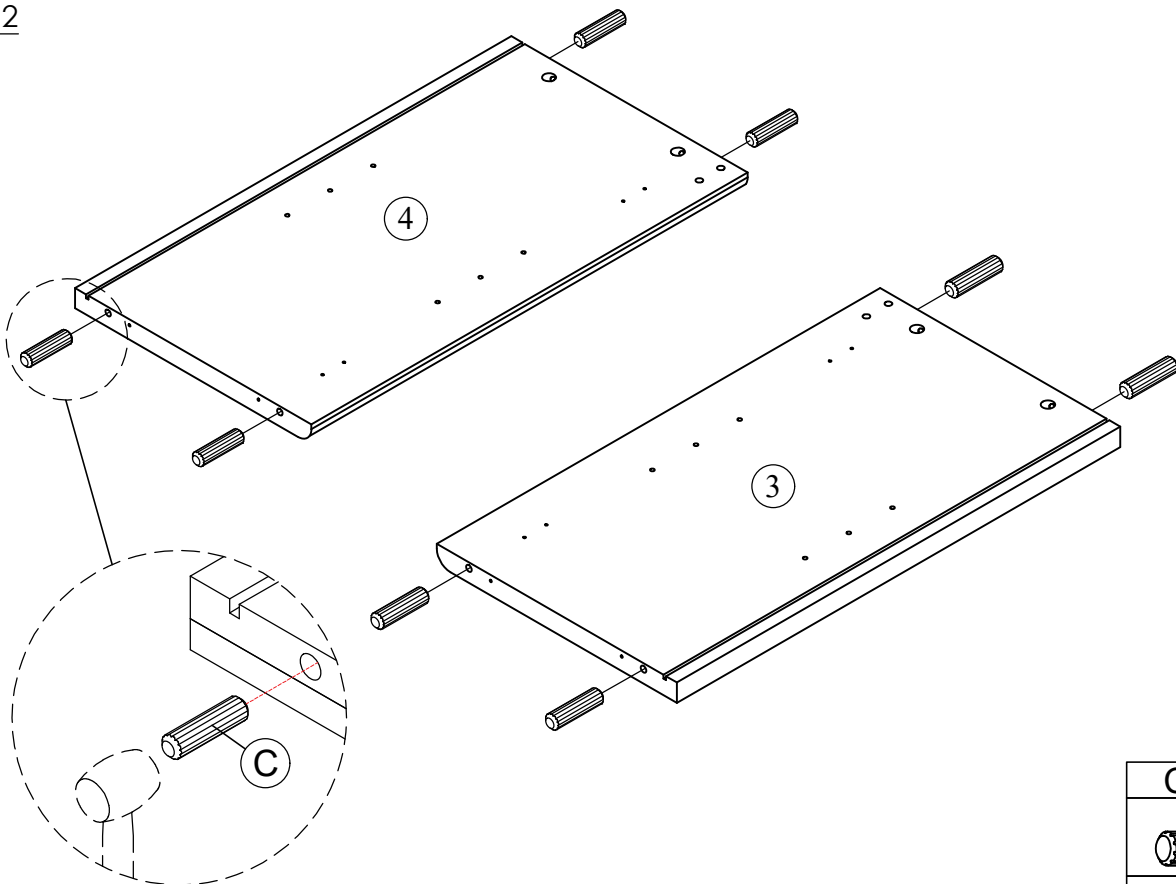



STEP 1



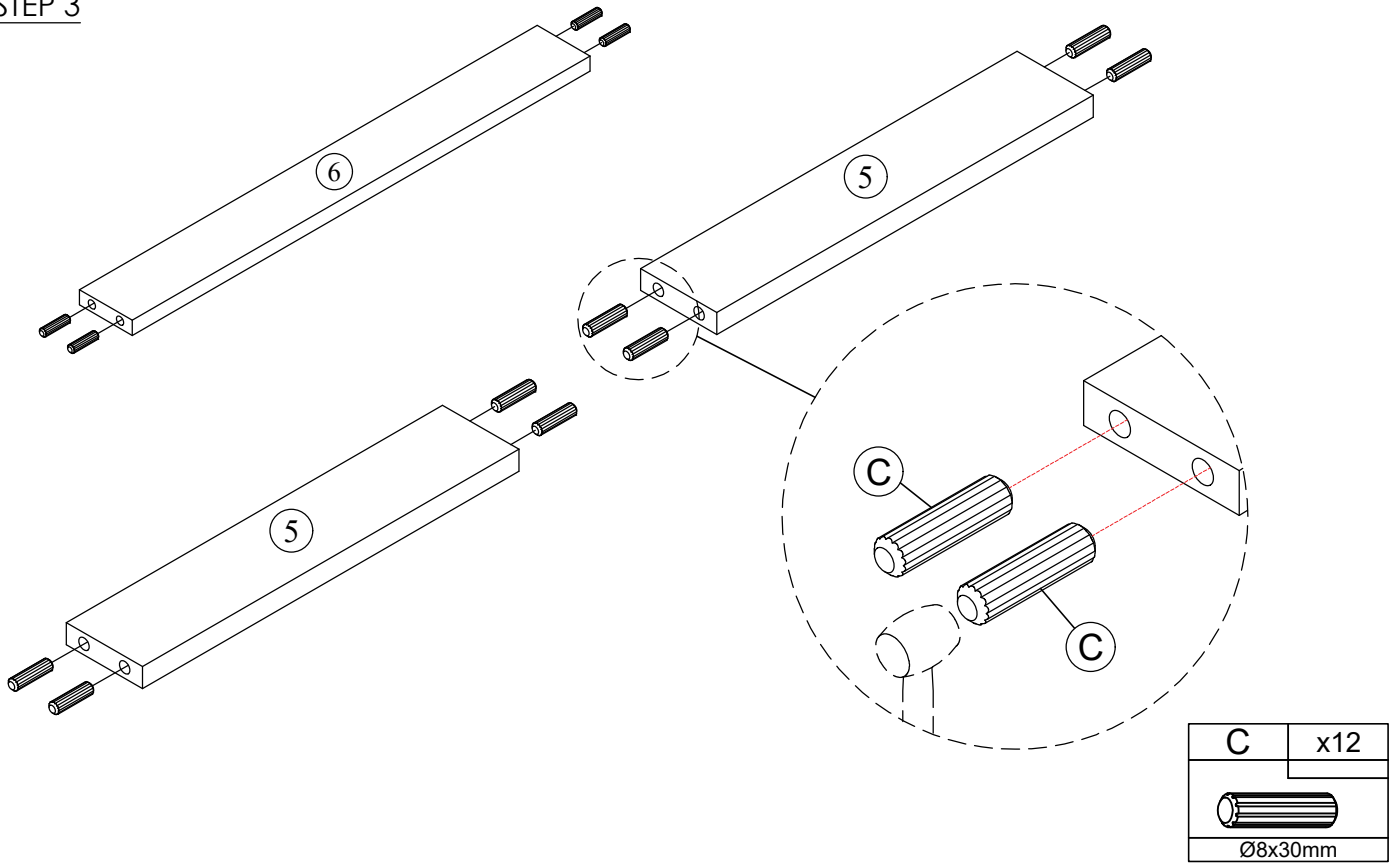
A	x12
	
R	x1
	
SCREW DRIVER	

STEP 2

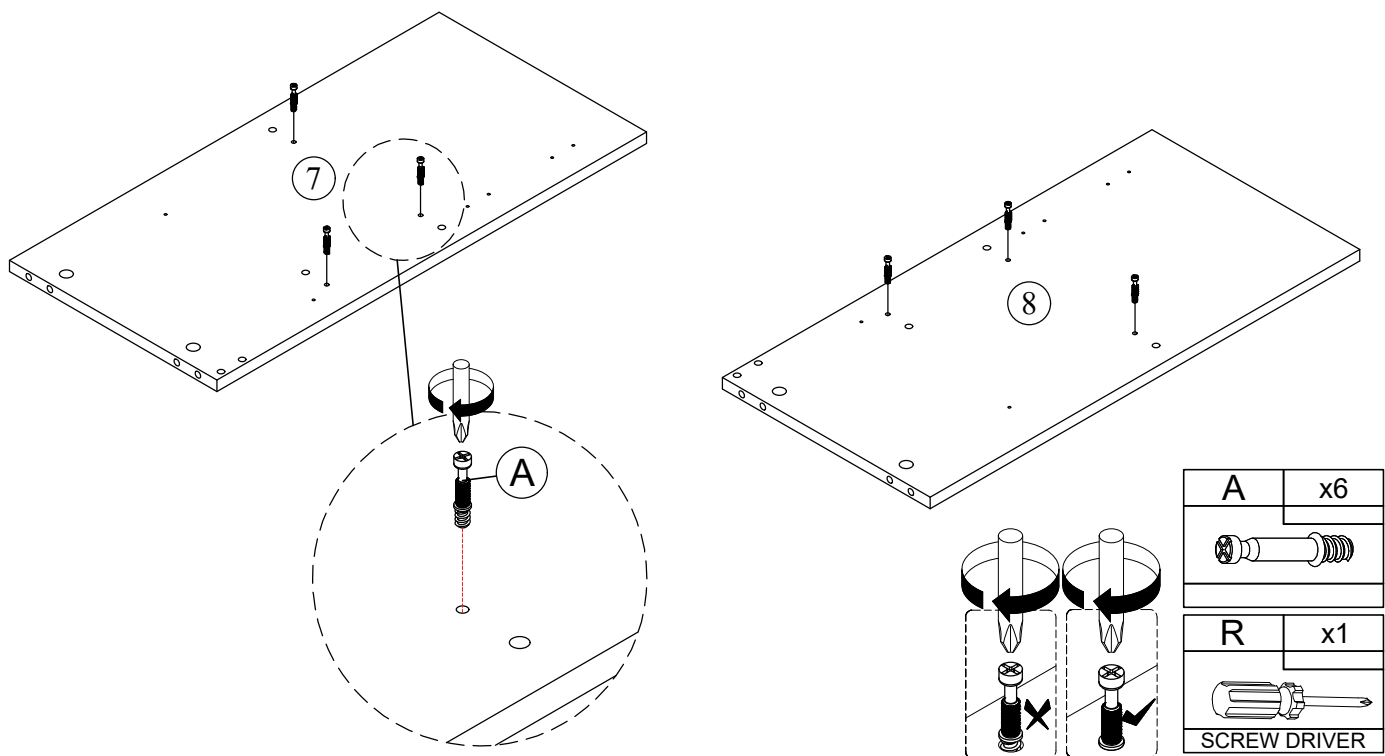


C	x8
	
Ø8x30mm	

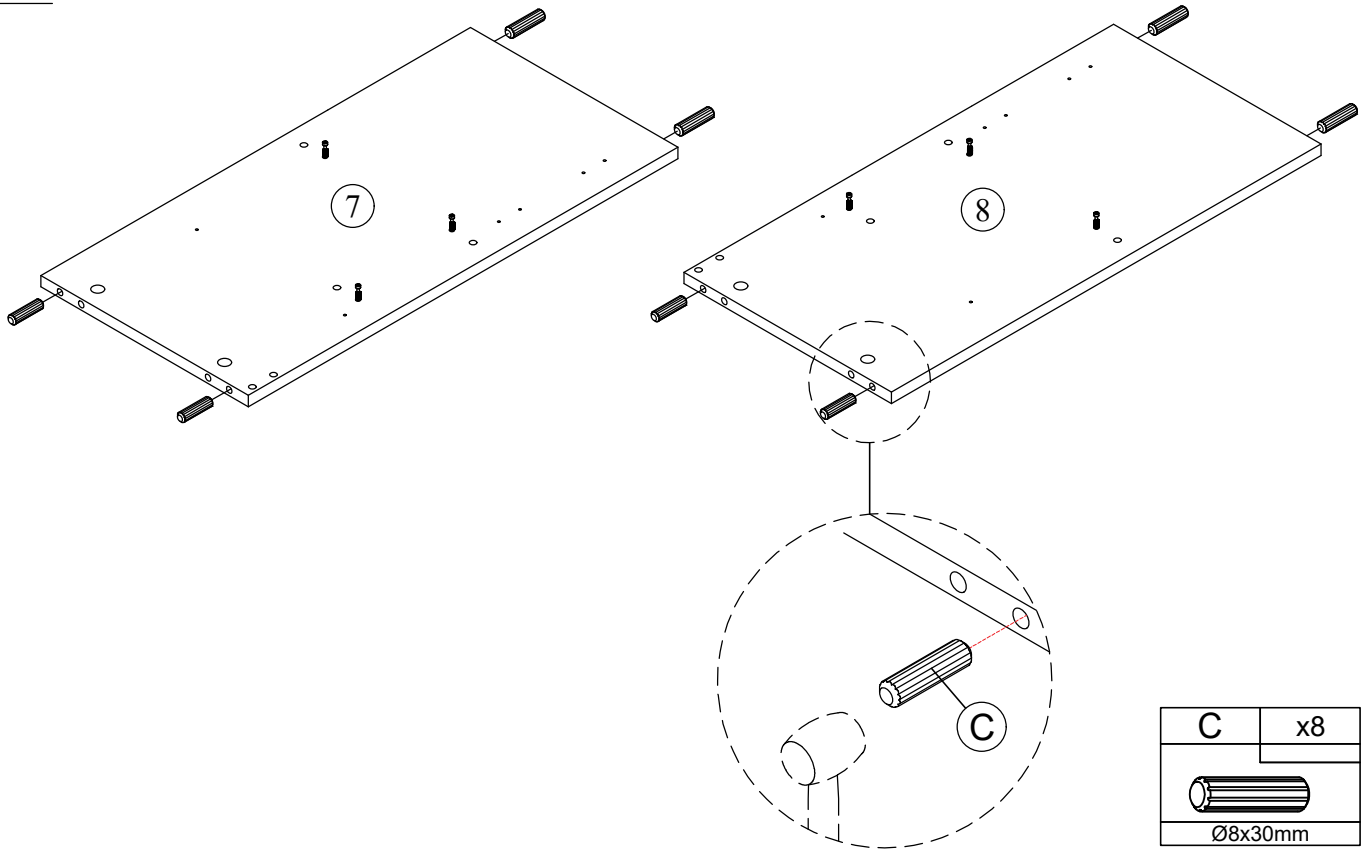
STEP 3



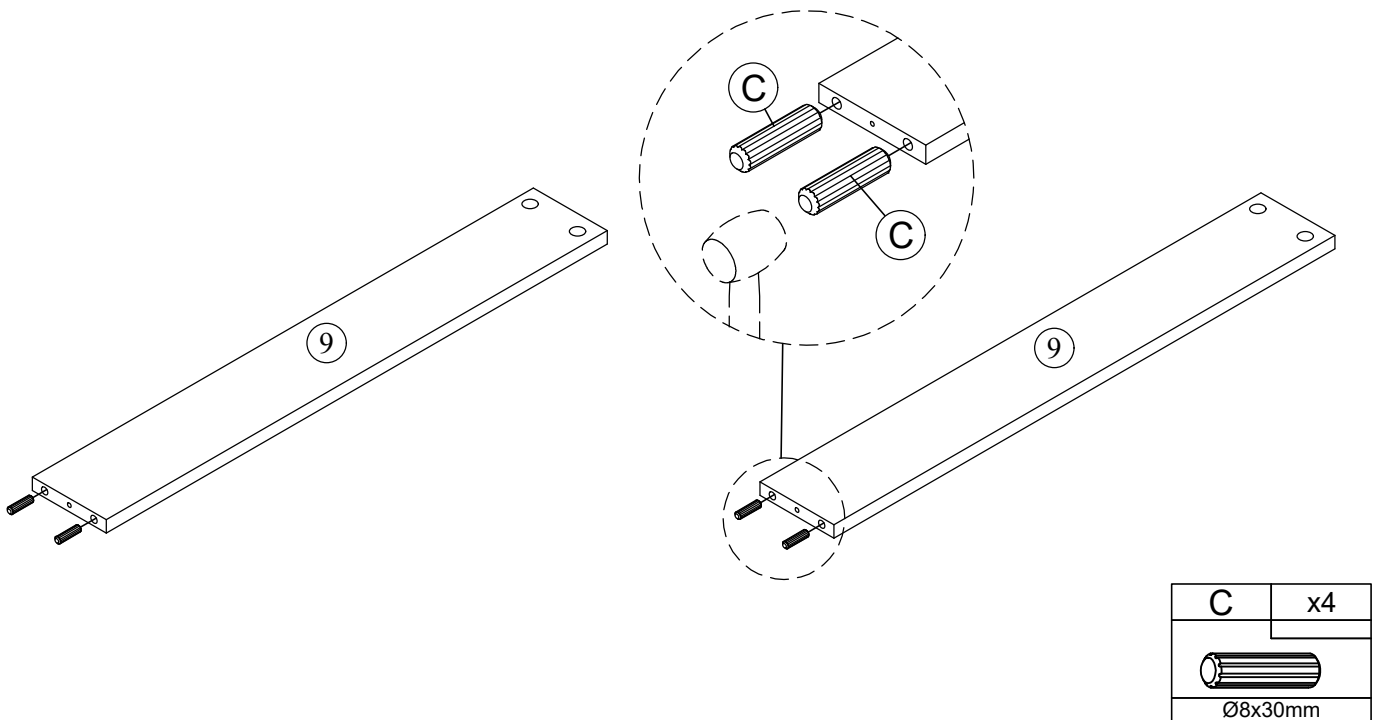
STEP 4



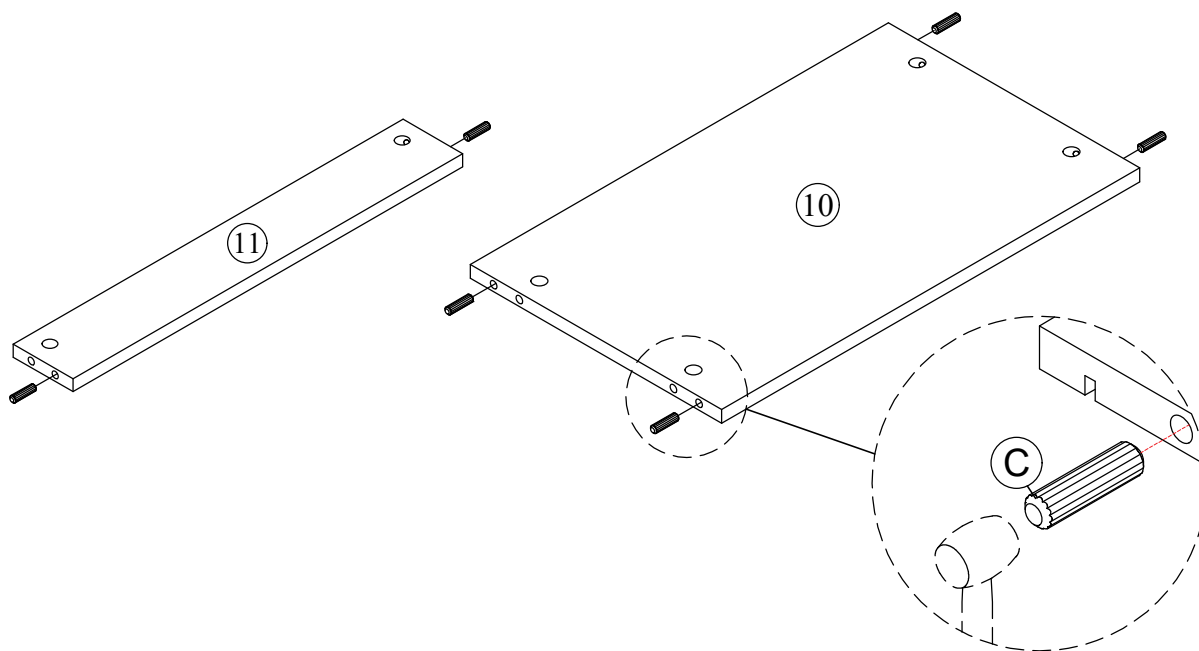
STEP 5



STEP 6

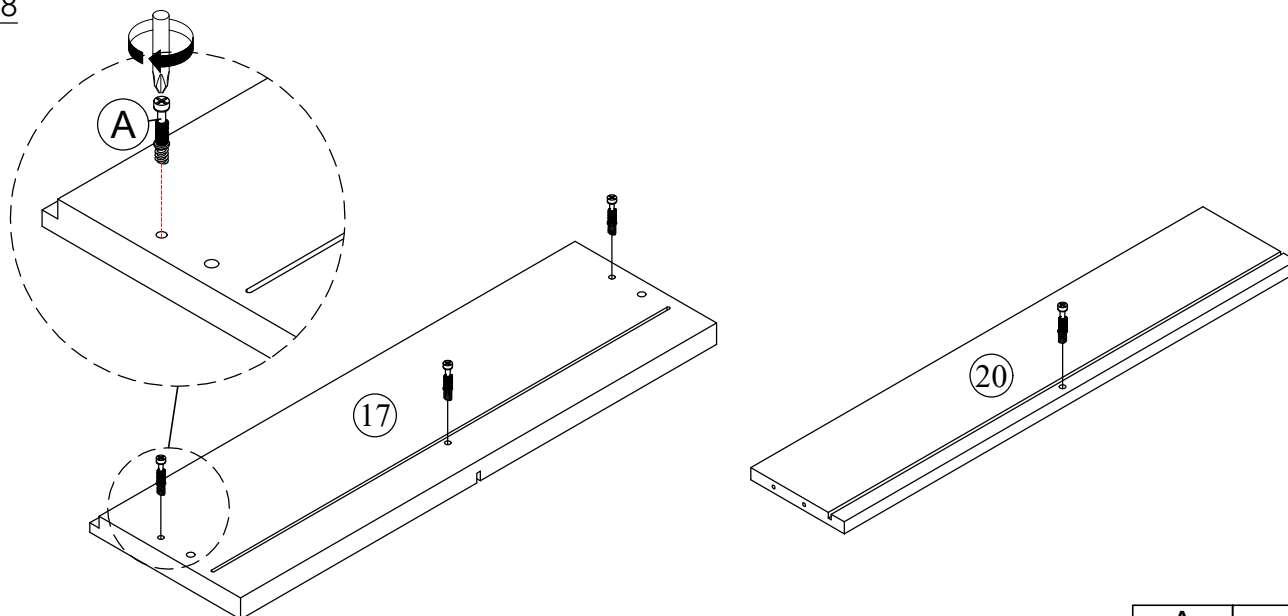


STEP 7



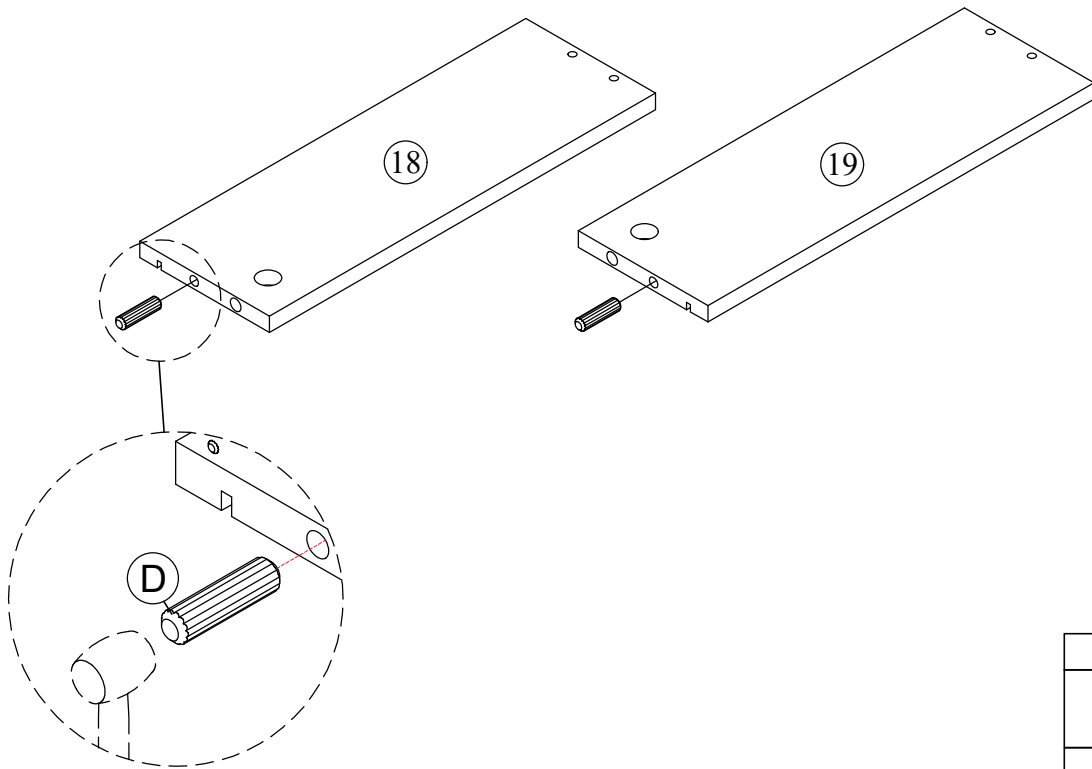
C	x6
<p>Ø8x30mm</p>	

STEP 8

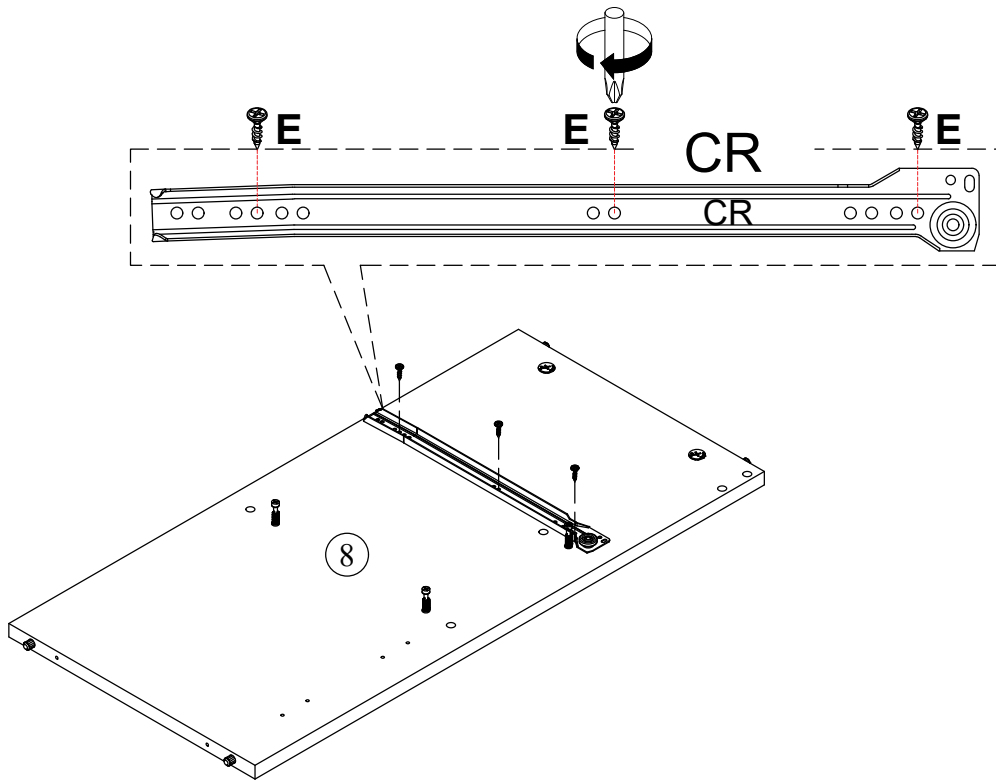




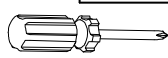
A	x4
R	x1
<p>SCREW DRIVER</p>	

STEP 9

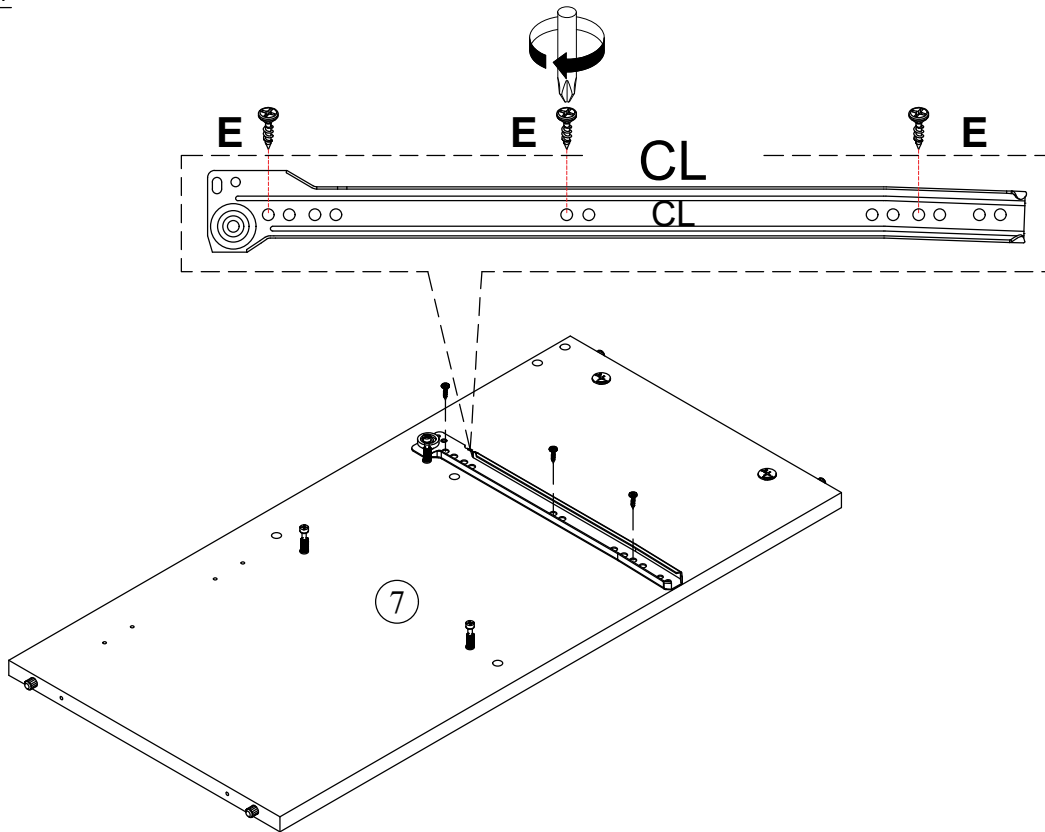




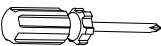
STEP 10



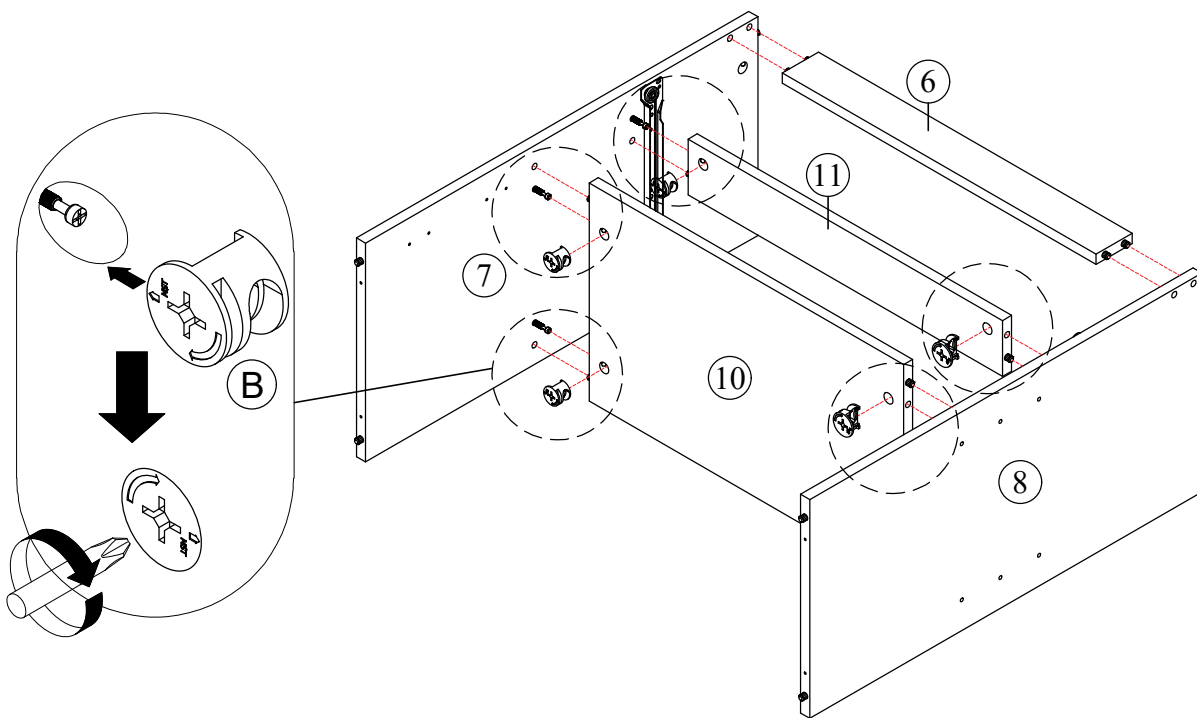
CR	x1
	
300mm	
E	x3
	
M3.5x16mm	
R	x1
	
SCREW DRIVER	


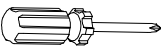
STEP 11



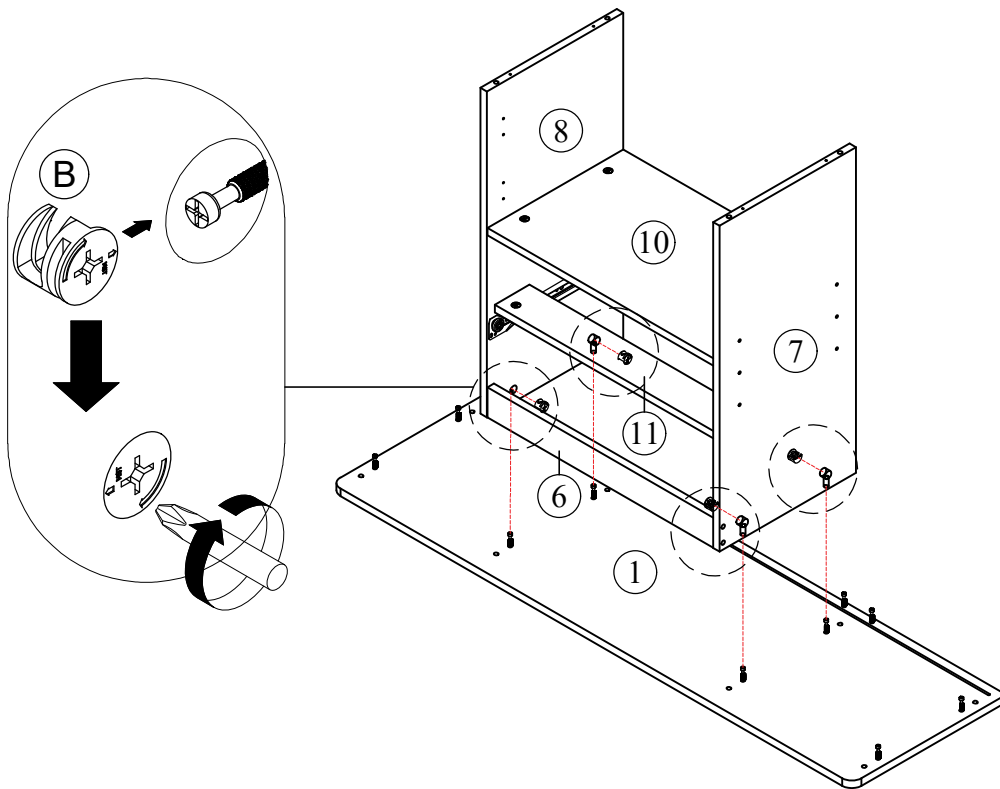
CL	x1
	
300mm	
E	x3
	
M3.5x16mm	
R	x1
	
SCREW DRIVER	


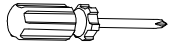
STEP 12



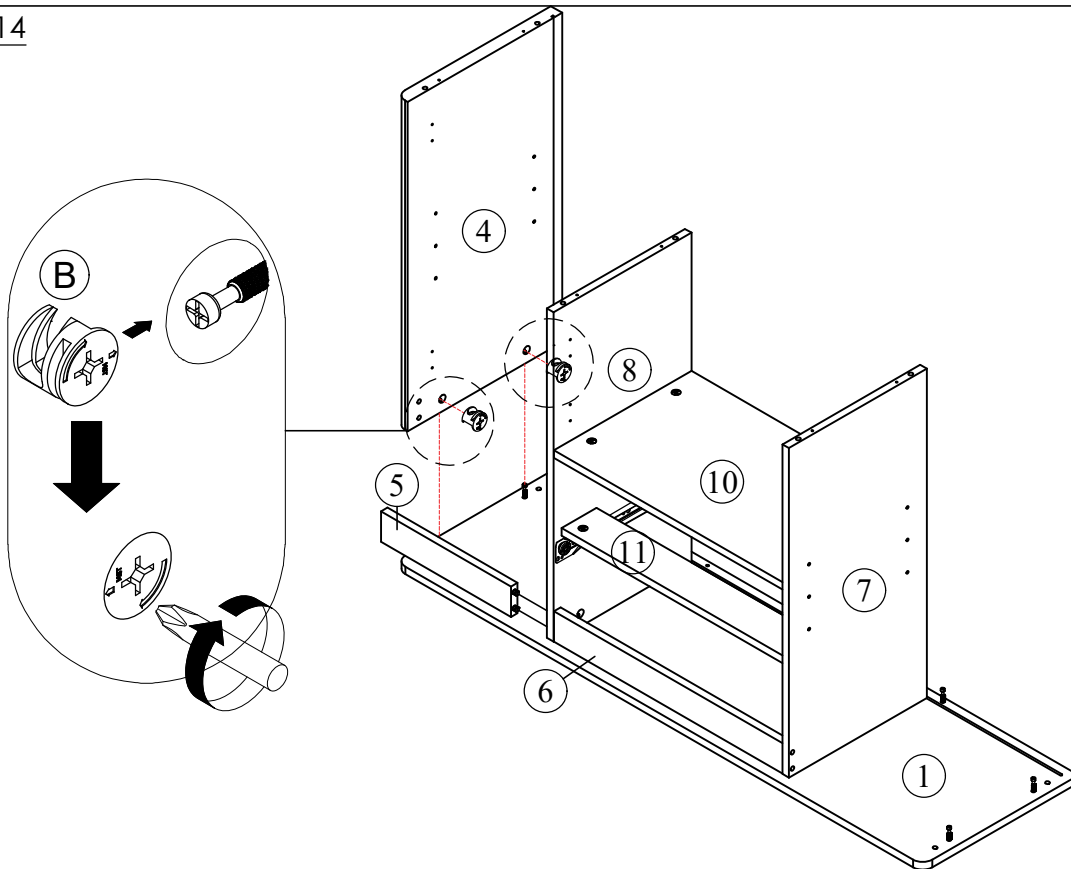
B	x6
	
Ø15x9.5mm	
R	x1
	
SCREW DRIVER	



STEP 13



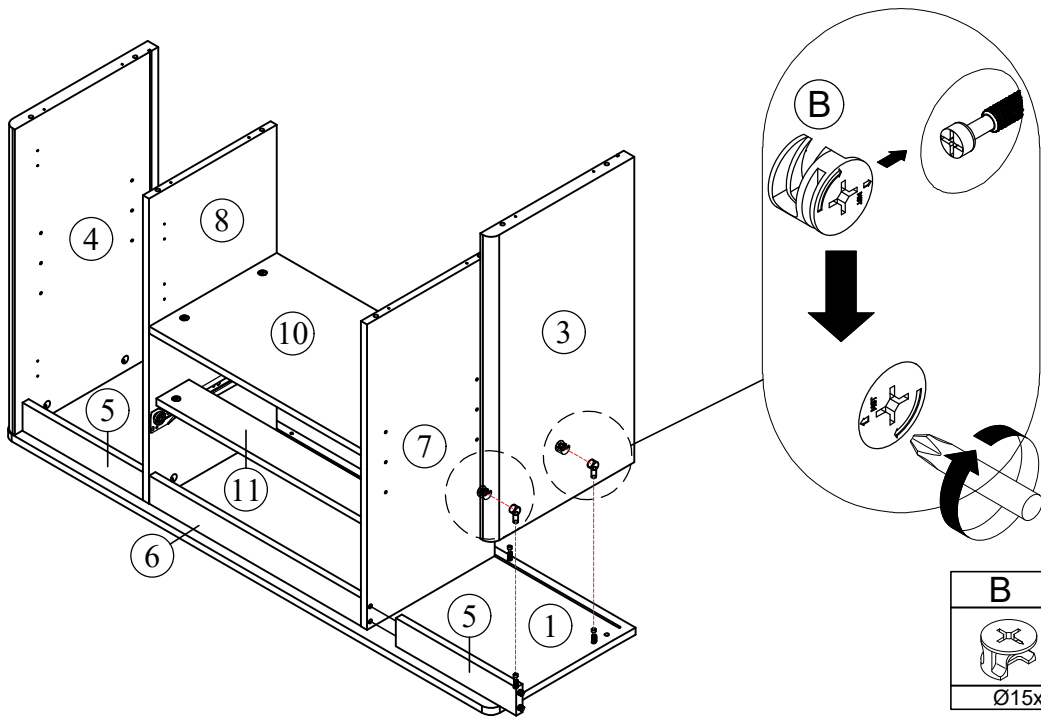
B	x4
	
Ø15x9.5mm	
R	x1
	
SCREW DRIVER	


STEP 14

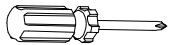


B	x2
	
Ø15x9.5mm	
R	x1
	
SCREW DRIVER	

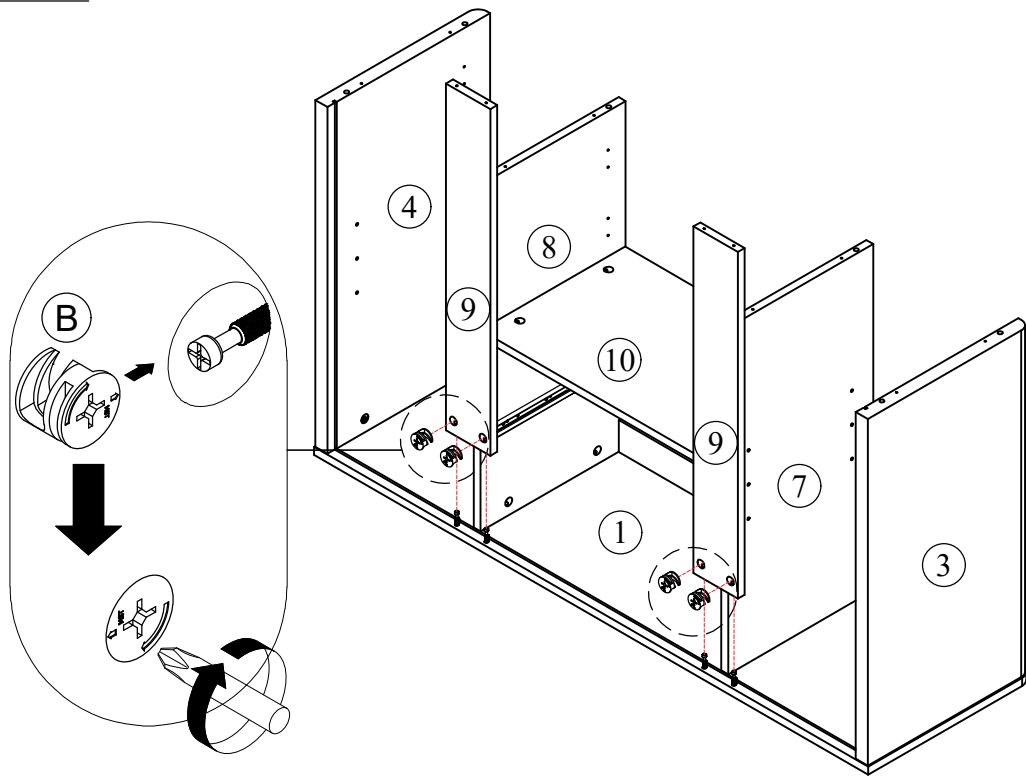
STEP 15




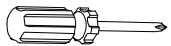
B	x2
	
Ø15x9.5mm	

R	x1
	
SCREW DRIVER	

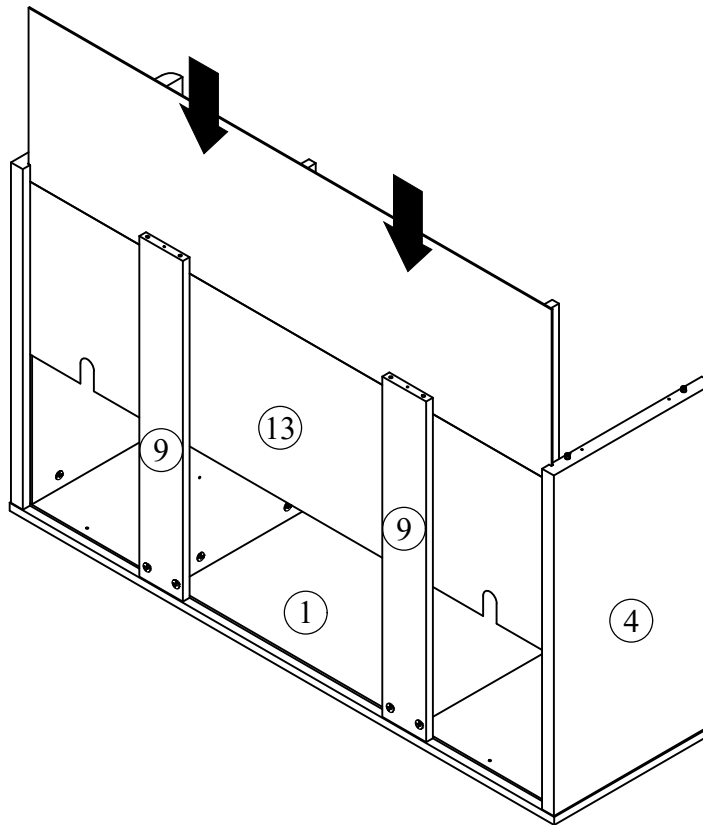
STEP 16



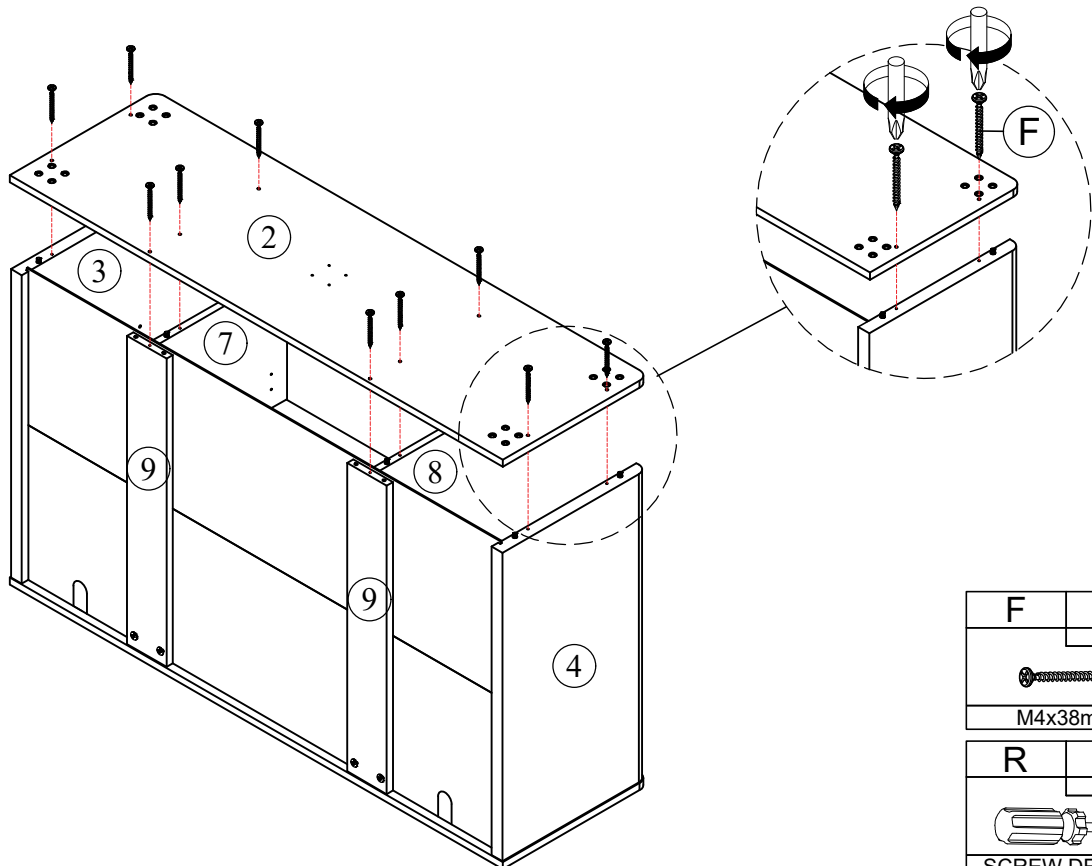
B	x4
	
Ø15x9.5mm	


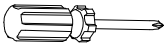
R	x1
	
SCREW DRIVER	

STEP 17

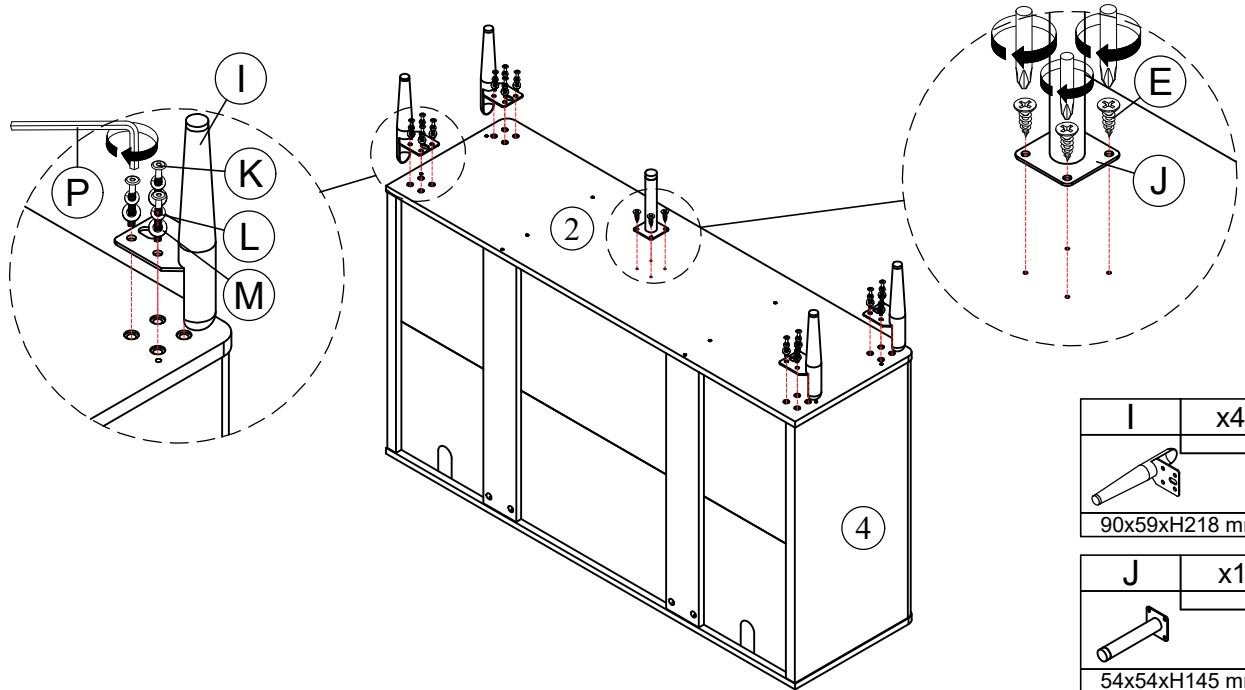


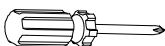
STEP 18





F	x10
 M4x38mm	
R	x1
 SCREW DRIVER	


STEP 19





R	x1
	
SCREW DRIVER	


K	x16
	
M6x15mm	


L	x16
	
M6	

M	x16
	
M6	

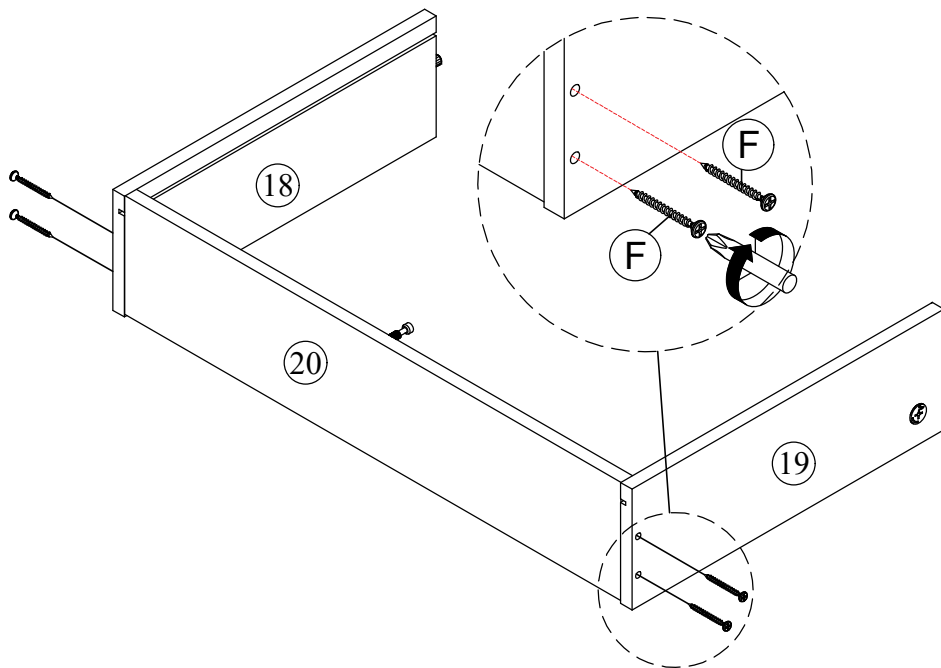
E	x4
	
M3.5x16mm	


I	x4
	
90x59xH218 mm	


J	x1
	
54x54xH145 mm	

P	x1
	
M4	

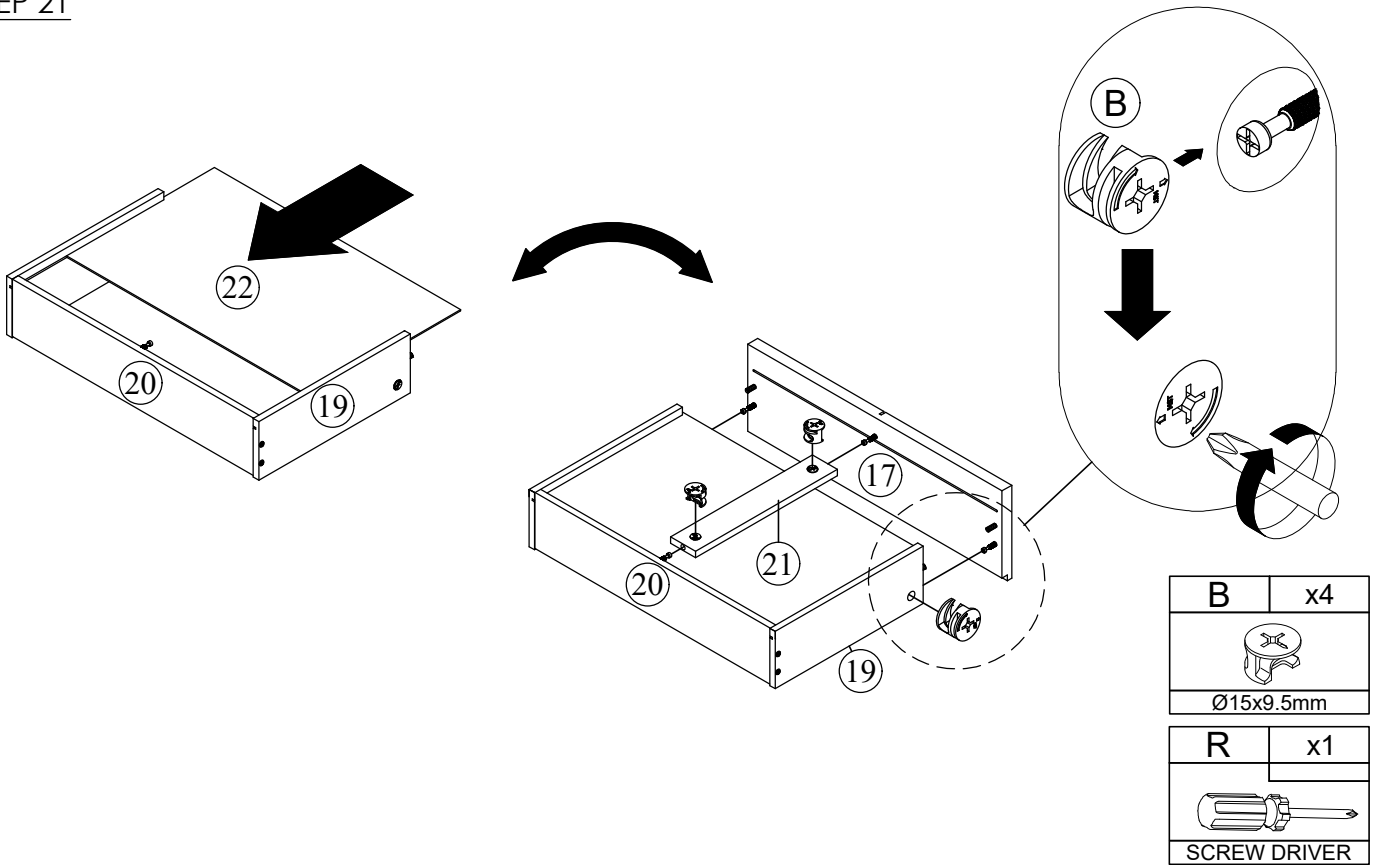
STEP 20


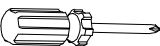


F	x4
	
M4x38mm	

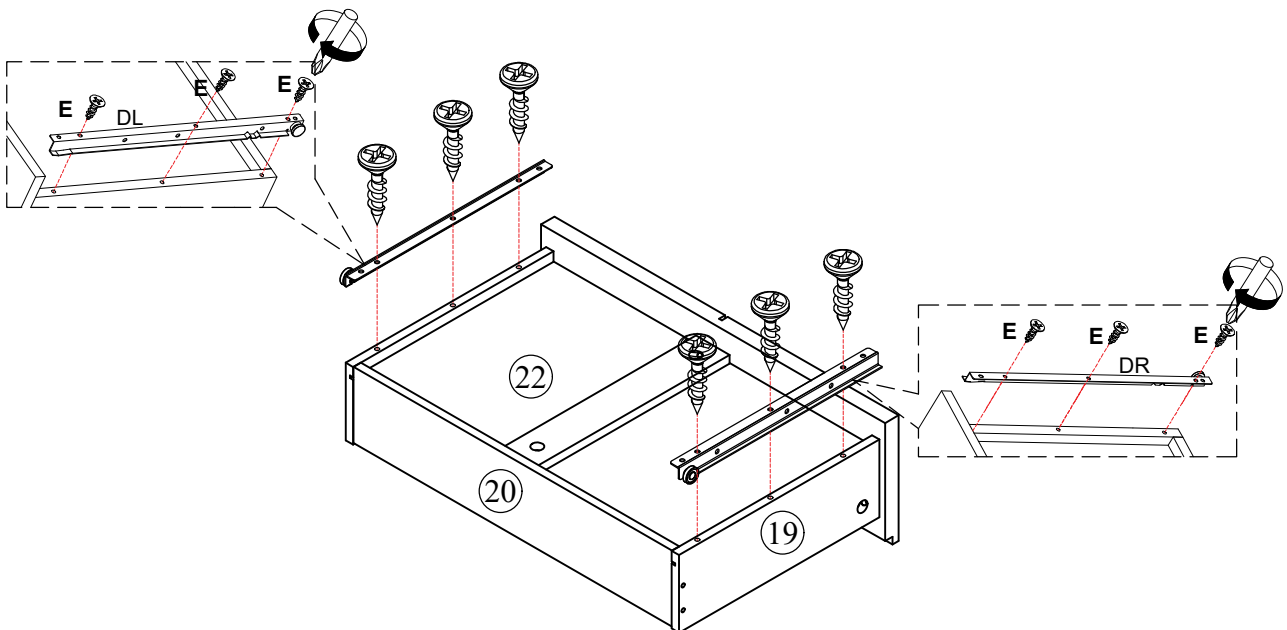
R	x1
	
SCREW DRIVER	

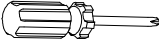

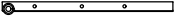

STEP 21



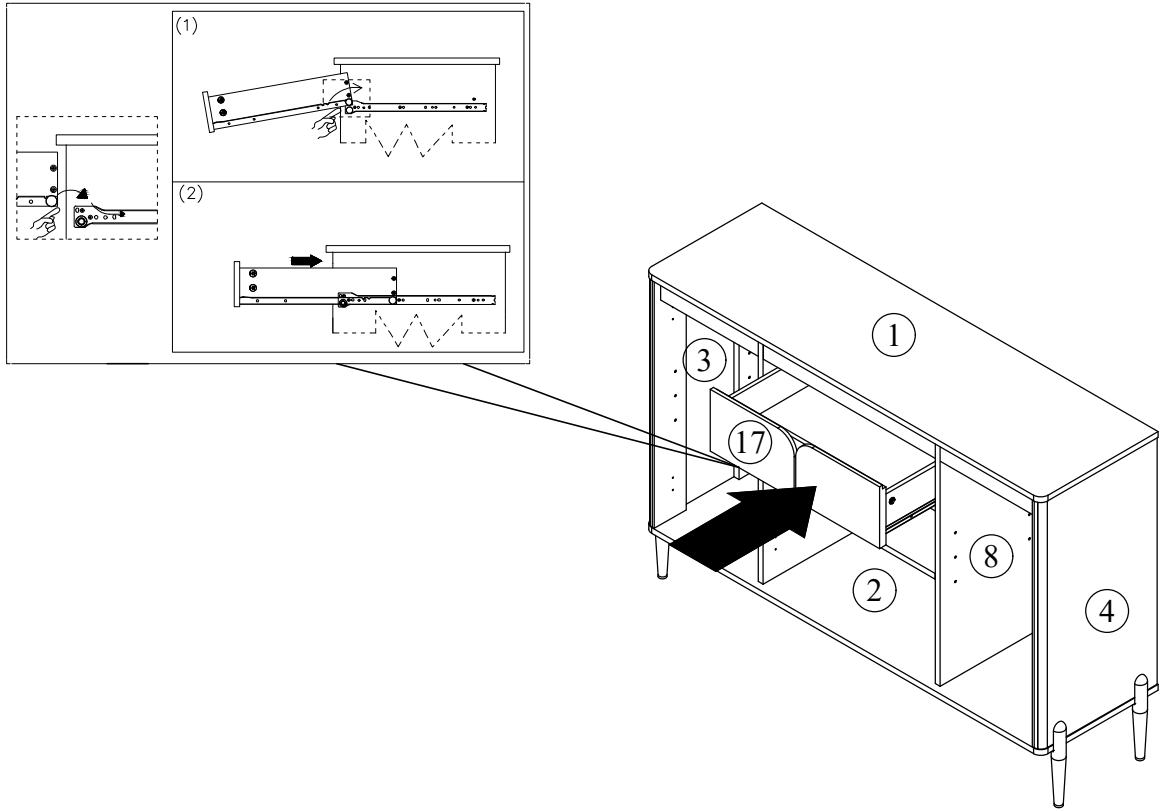
B	x4
	
Ø15x9.5mm	
R	x1
	
SCREW DRIVER	

STEP 22

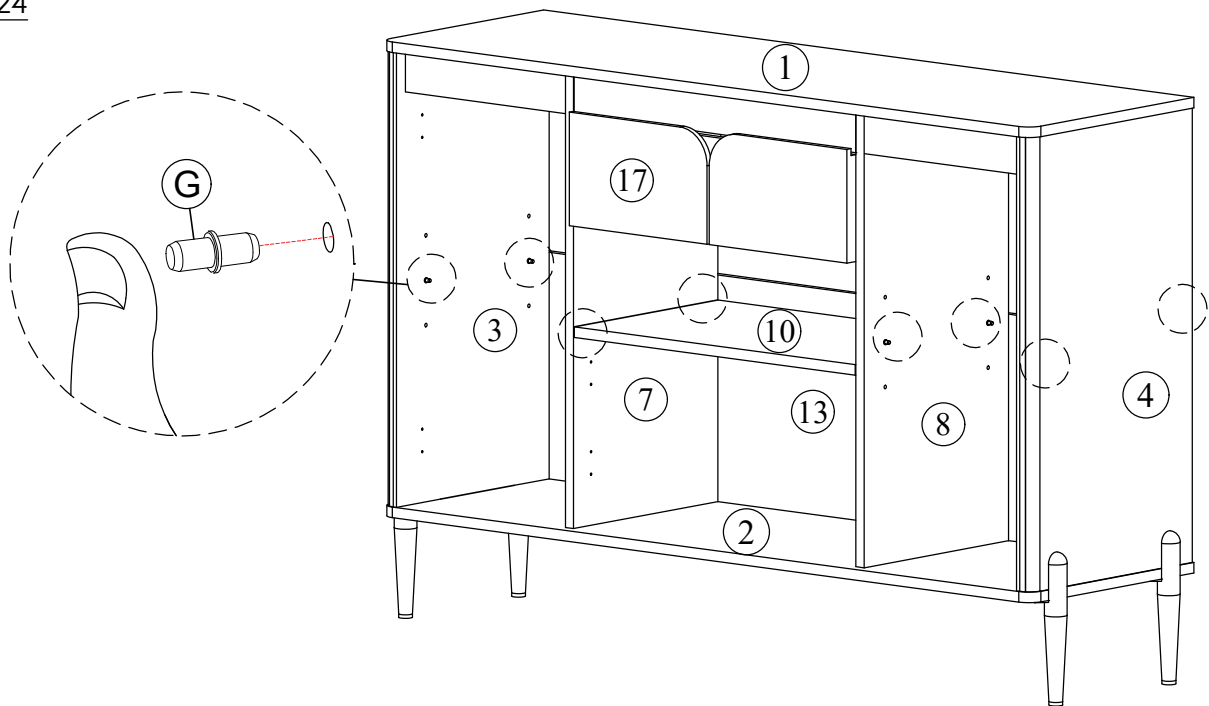


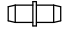
R	x1	E	x6	DR	x1	DL	x1
							
SCREW DRIVER		M3.5x16mm		300mm		300mm	

STEP 23

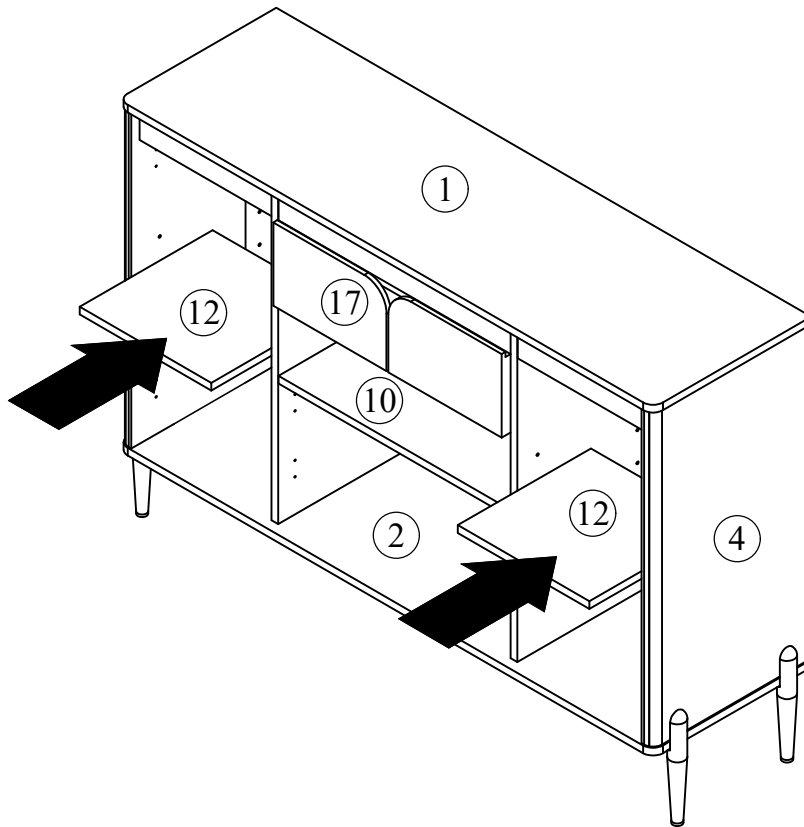


STEP 24

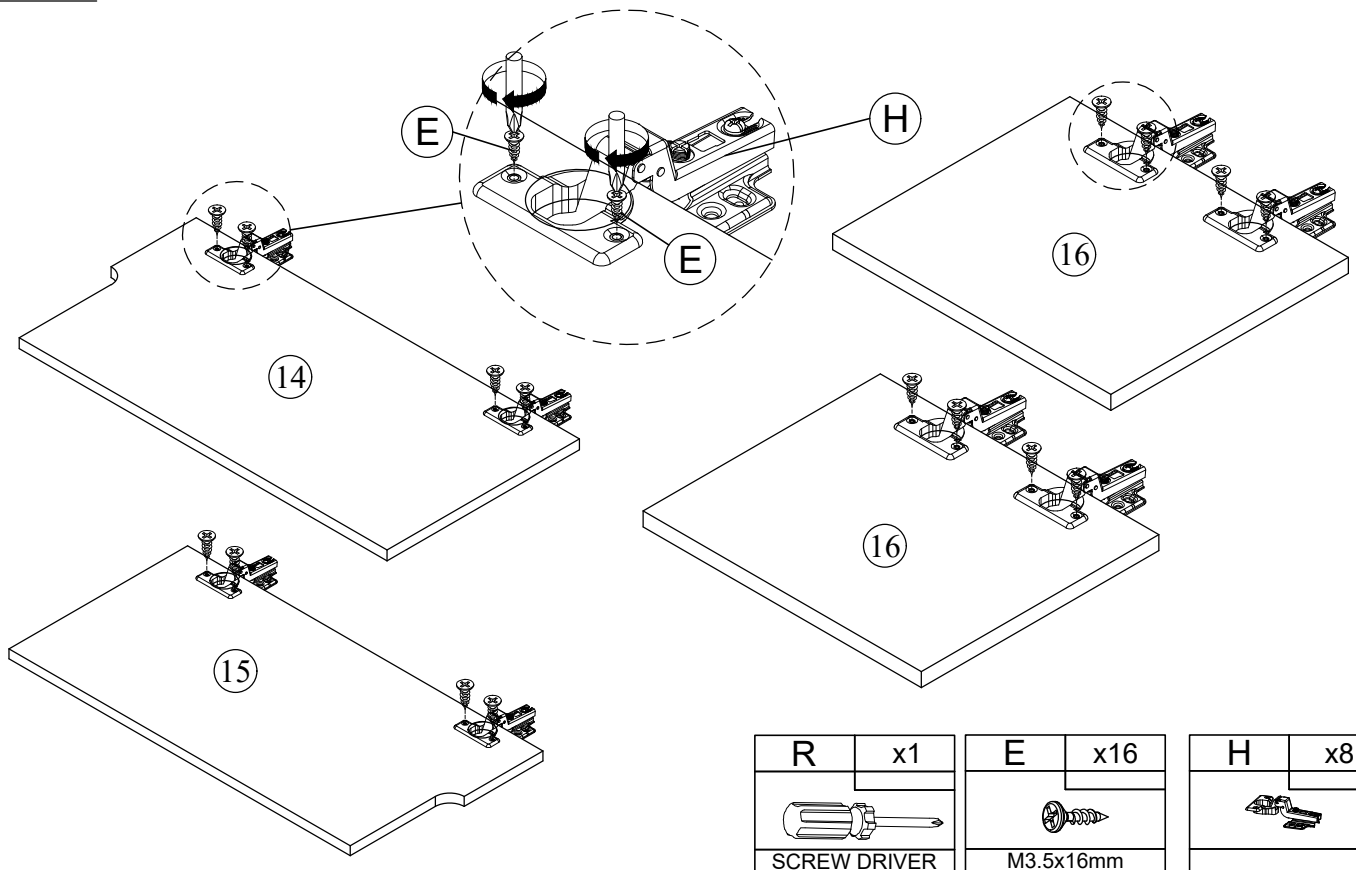


G	x8
	

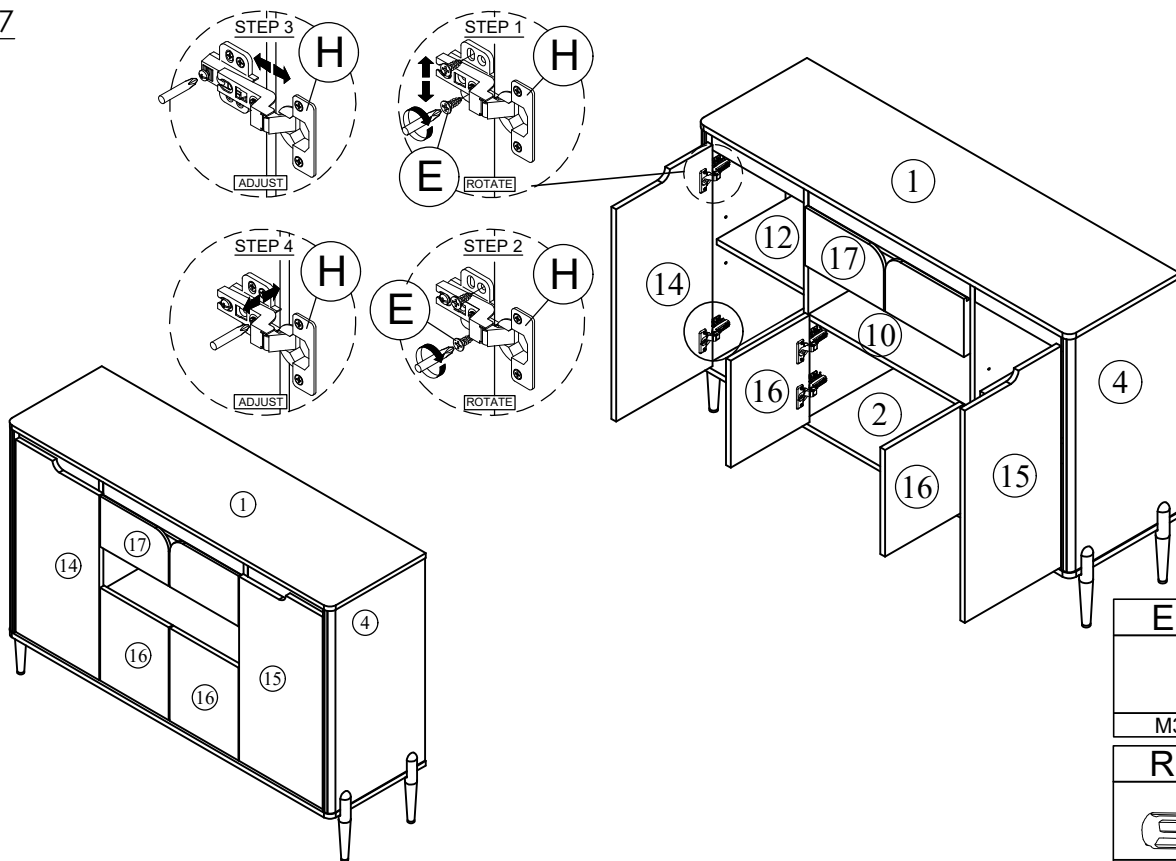
STEP 25





STEP 26

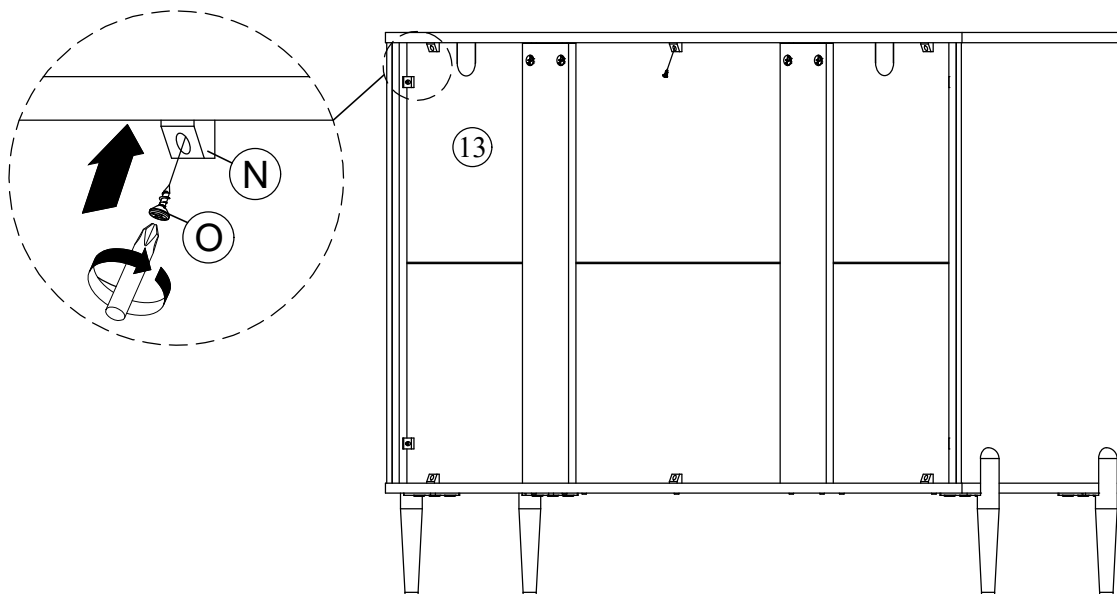





STEP 27



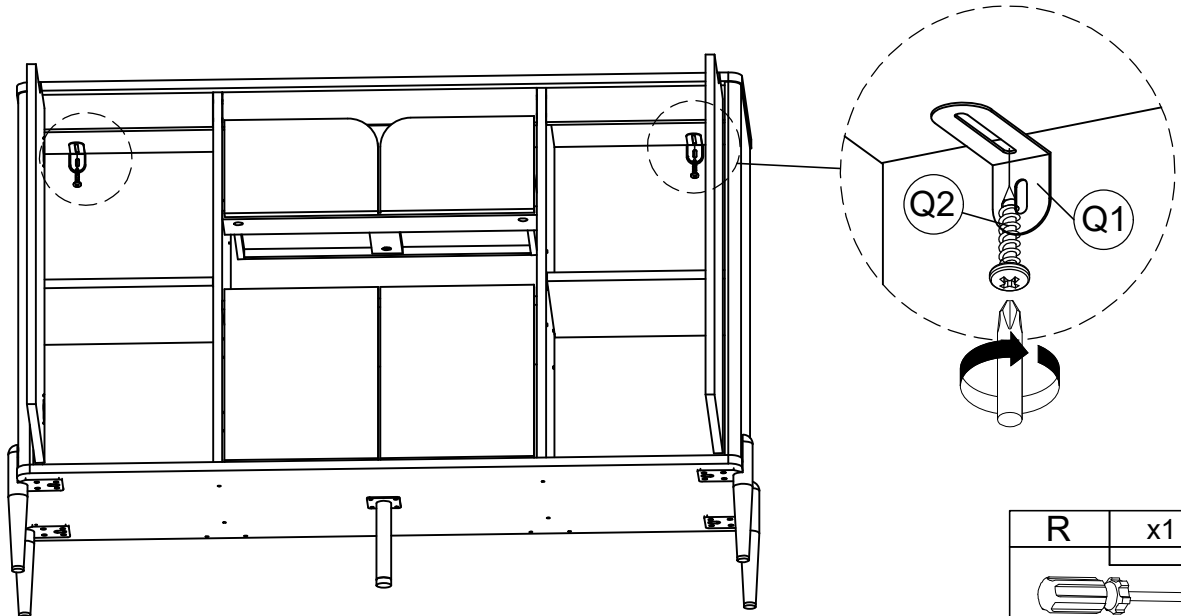
E	x32
	
M3.5x16mm	
R	x1
	
SCREW DRIVER	

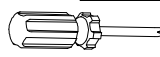
STEP 28

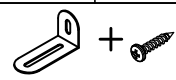


O	x10
	
N	x10
	
R	x1
	
SCREW DRIVER	

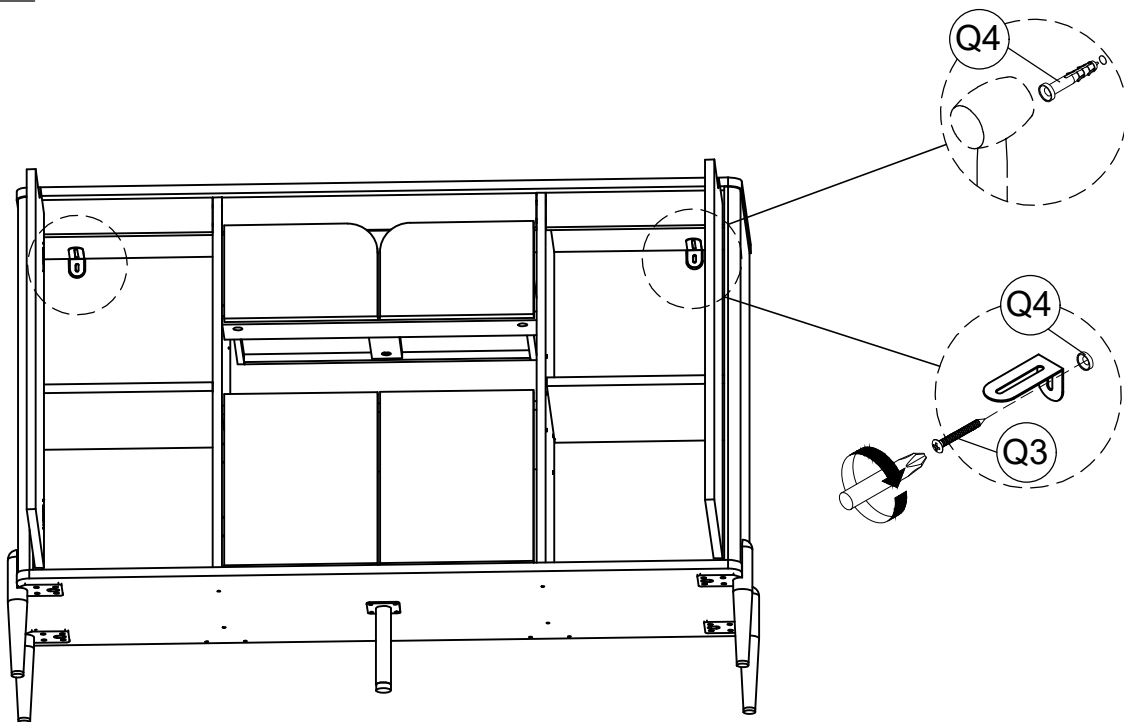
STEP 29

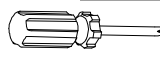


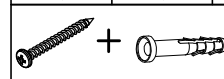
R	x1
	
SCREW DRIVER	

Q1	Q2	x2
		
SETS		

STEP 30



R	x1
	
SCREW DRIVER	

Q3	Q4	x2
		
SETS		