

KM-01

Assemble Instructions

Hardware Identification



Ⓐ M6*16x8PCS



Ⓑ M6*10x8PCS



Ⓒ M8*20x8PCS



Ⓓ M8x1PC



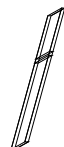
Ⓔ M6x1PC

Part Identification

① x1PC



② x2PCS



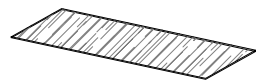
③ x2PCS



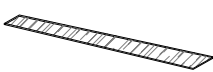
④ x2PCS



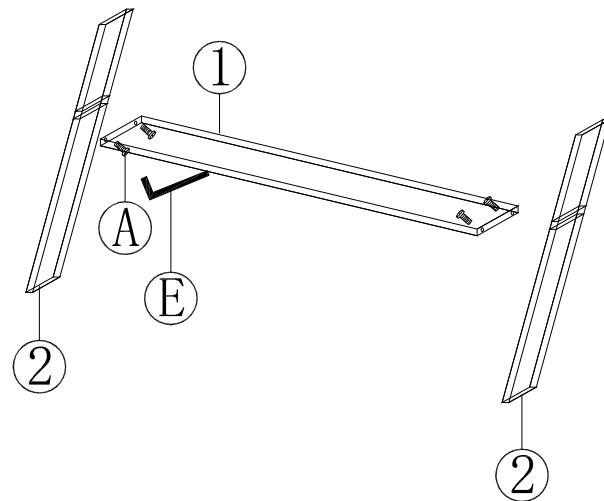
⑤ x1PC



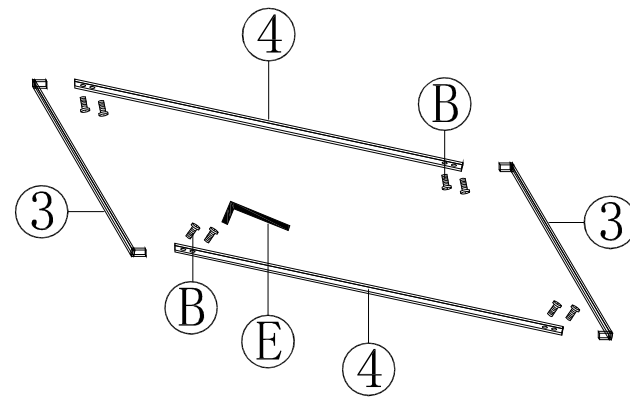
⑥ x1PC



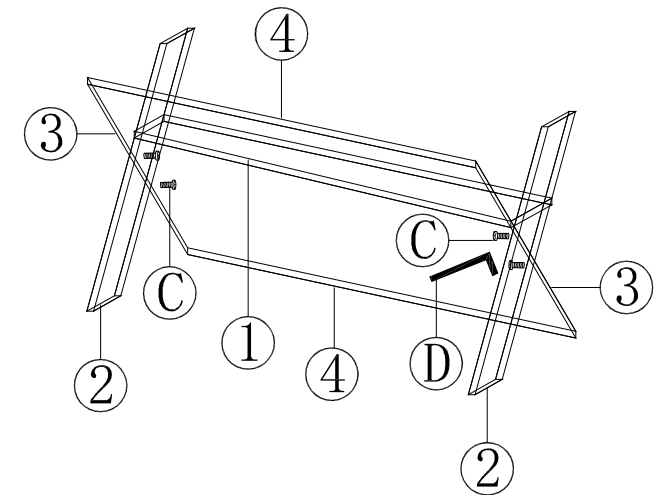
1



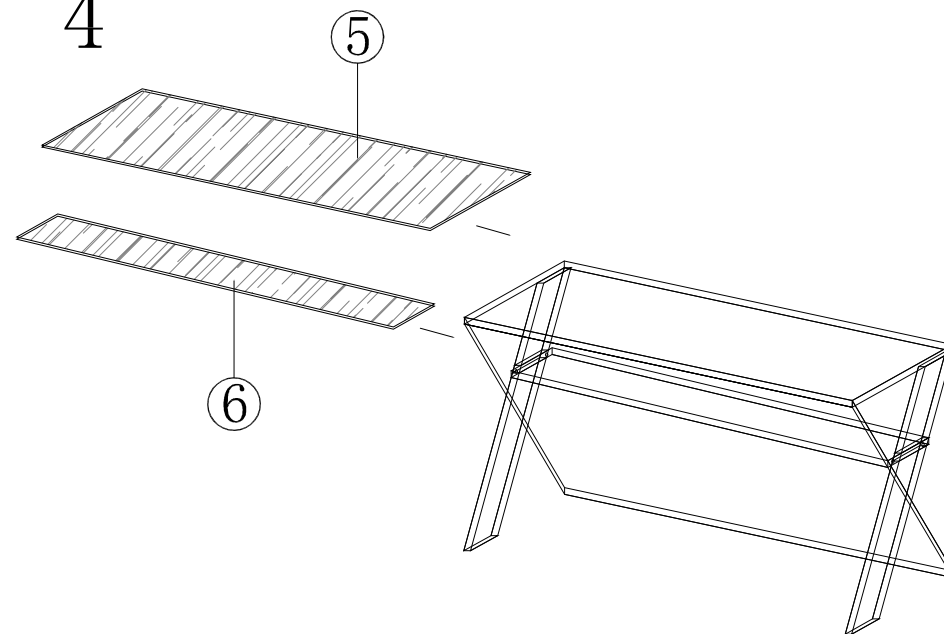
2



3



4



5

