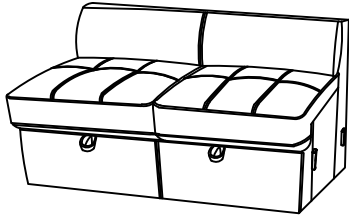
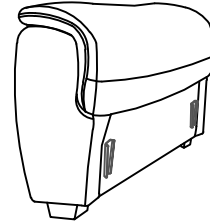


2 Seater

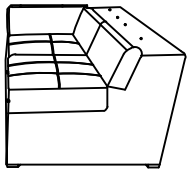


2 Seater with sofa bed (1)

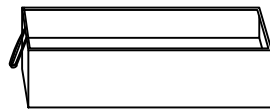


Right armrest(1)

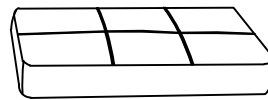
Chaise with ottoman



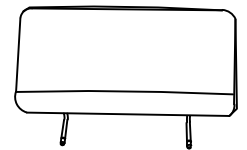
Chaise(1)



Ottoman frame(1)



Ottoman seat cushion(1)



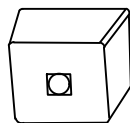
Headrest (5)

A



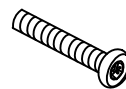
Sofa foot (4)

B



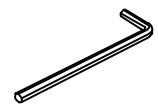
Sofa foot (10)

C



8*60 Screw(10)

D



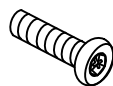
M5*100*40Wrench(1)

E



17mmGasket (10)

F



6*18 Screw(4)

G



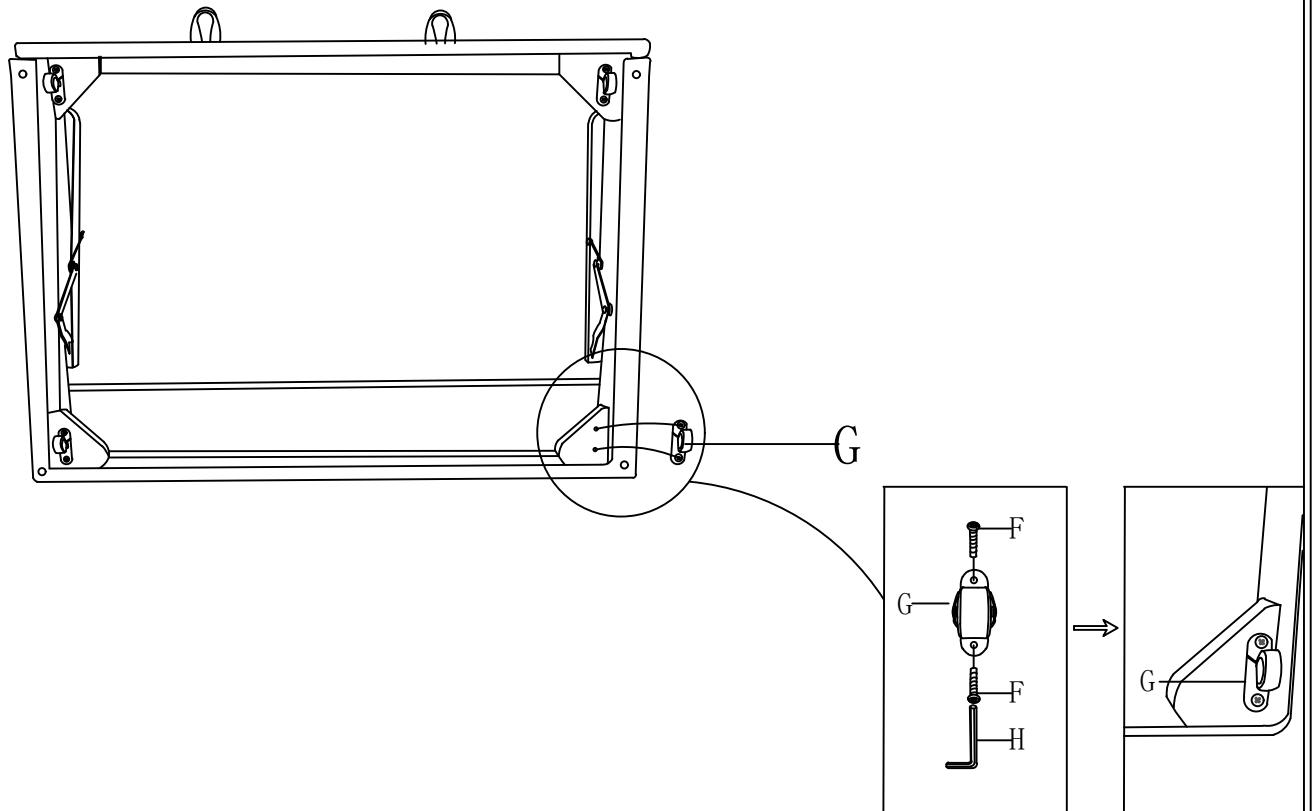
Roller(4)

H

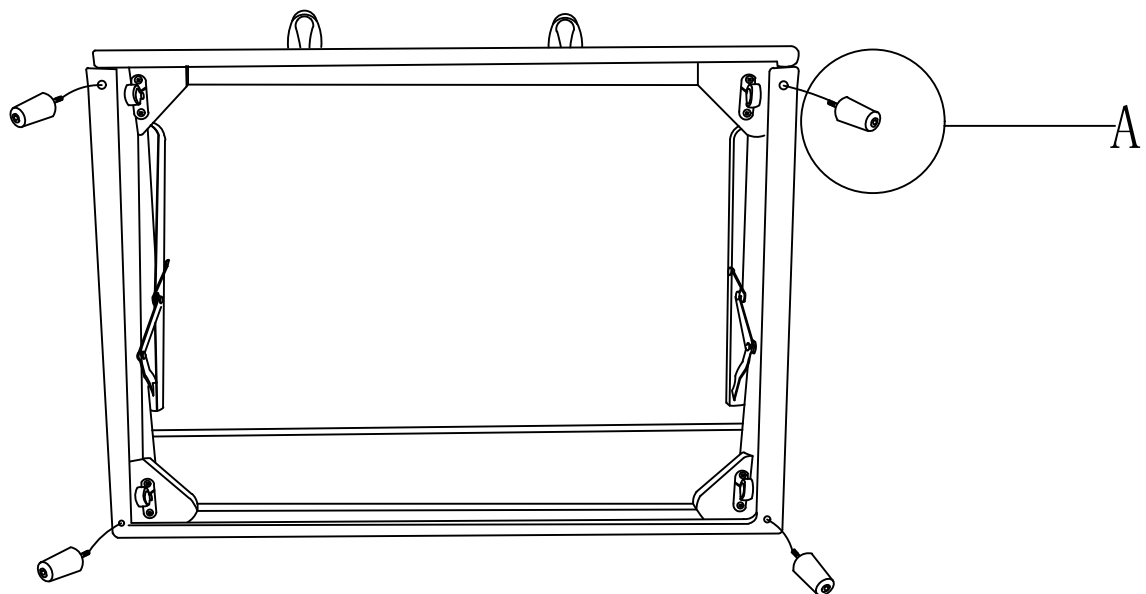


M4*65*23Wrench(1)

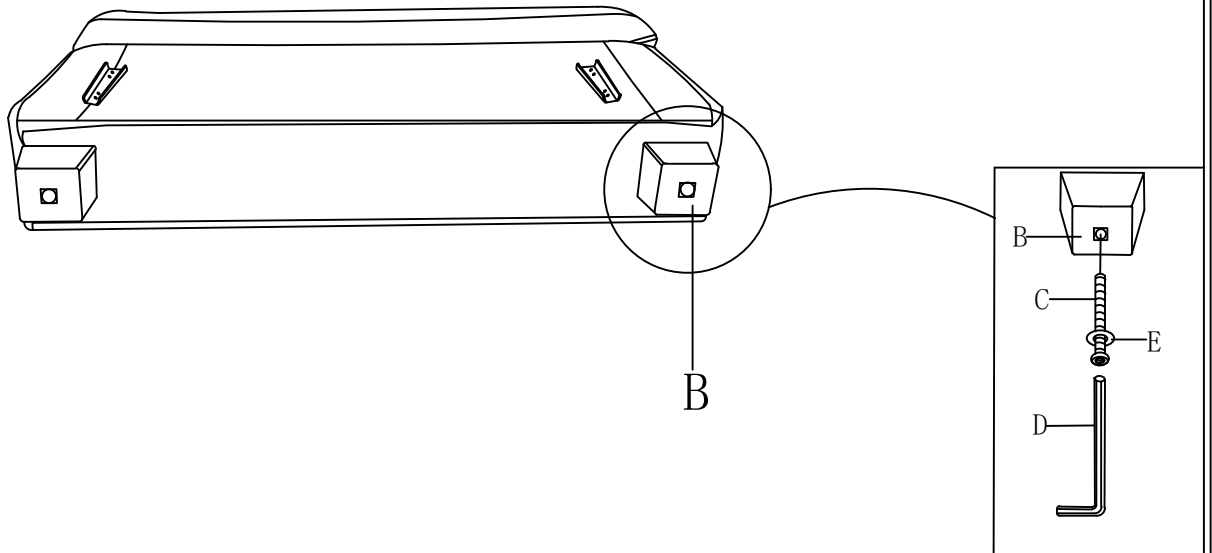
STEP 1: Turn over the 2 seater sofa base and install the rollers



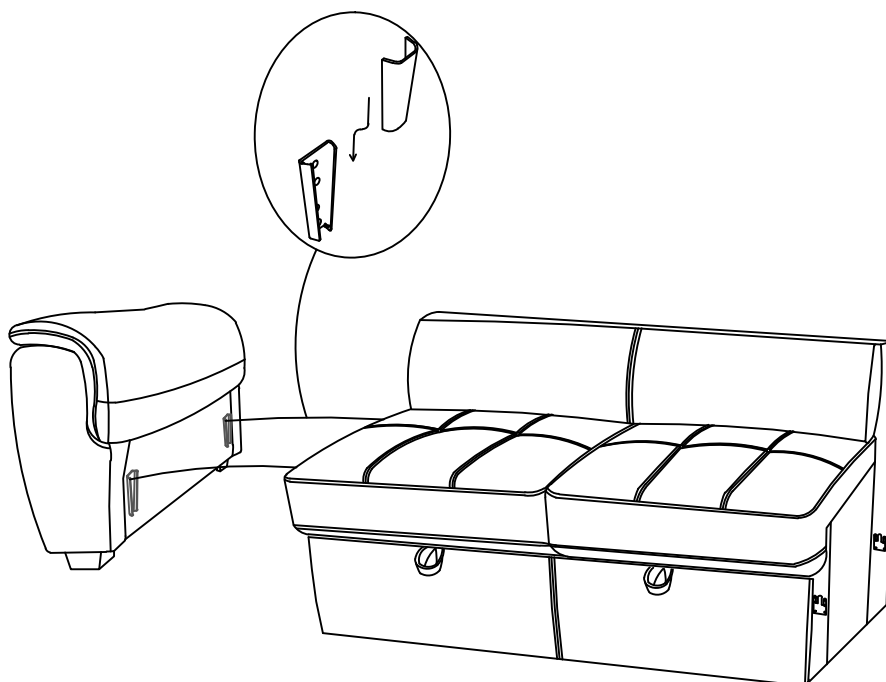
STEP 2: Turn over the 2 seater sofa base and install the sofa feet



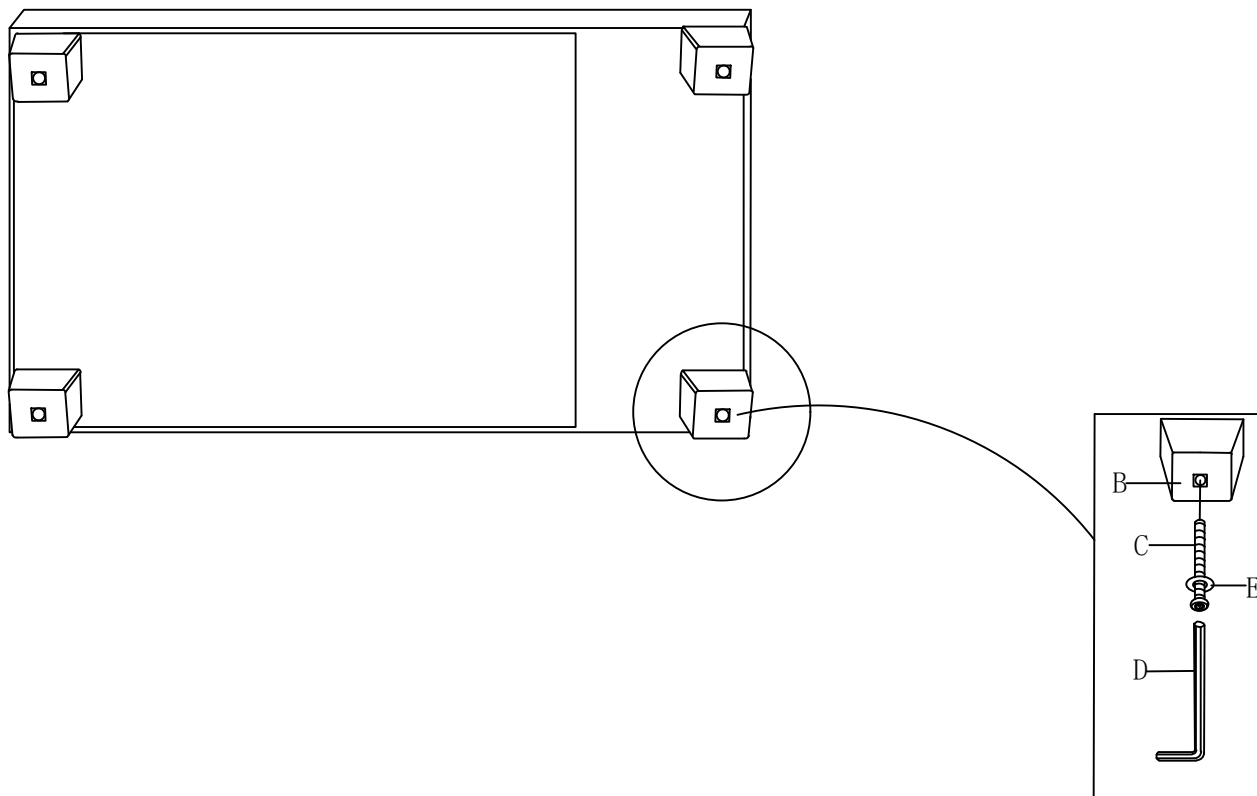
STEP 3: Turn over the right armrest install the sofa feet



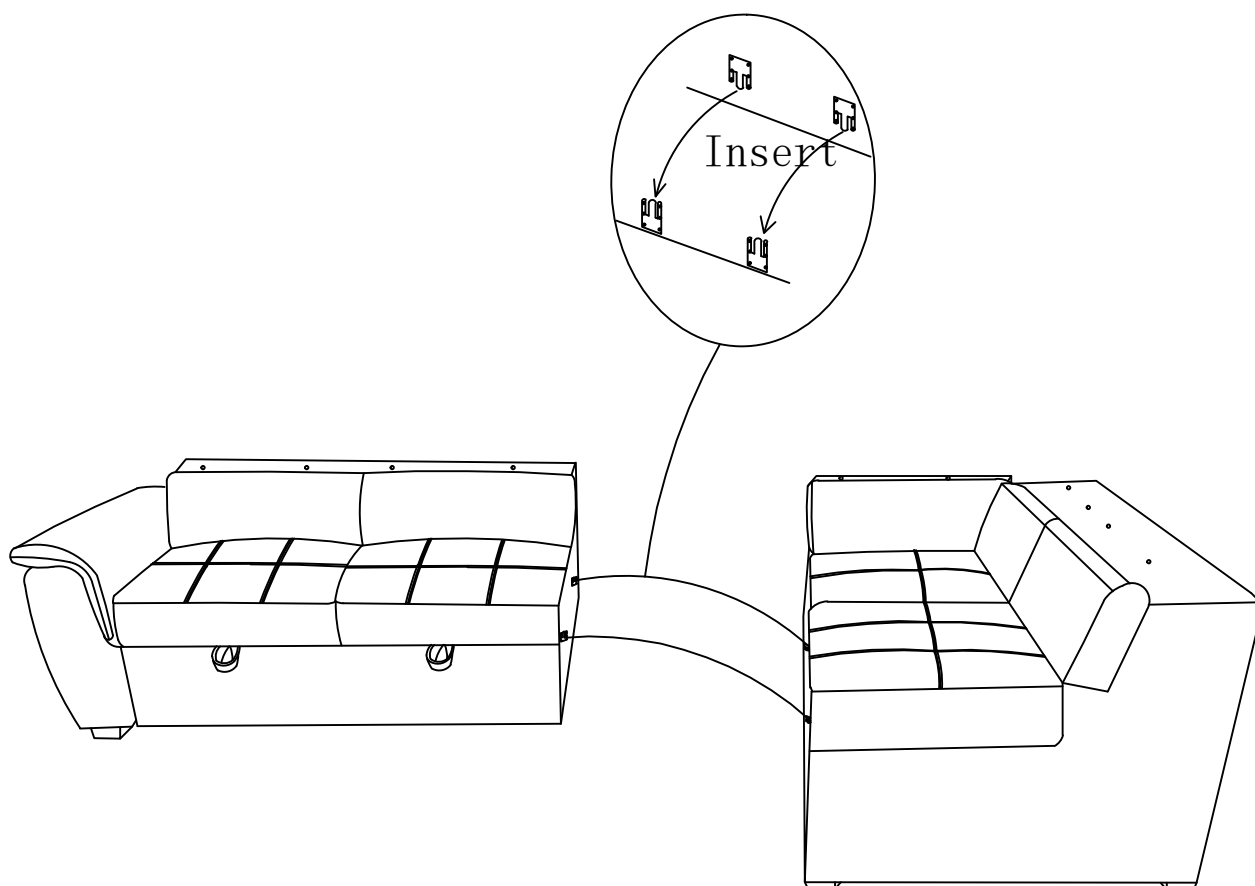
STEP 4: Insert the right armrest into the 2 seater with sofa bed



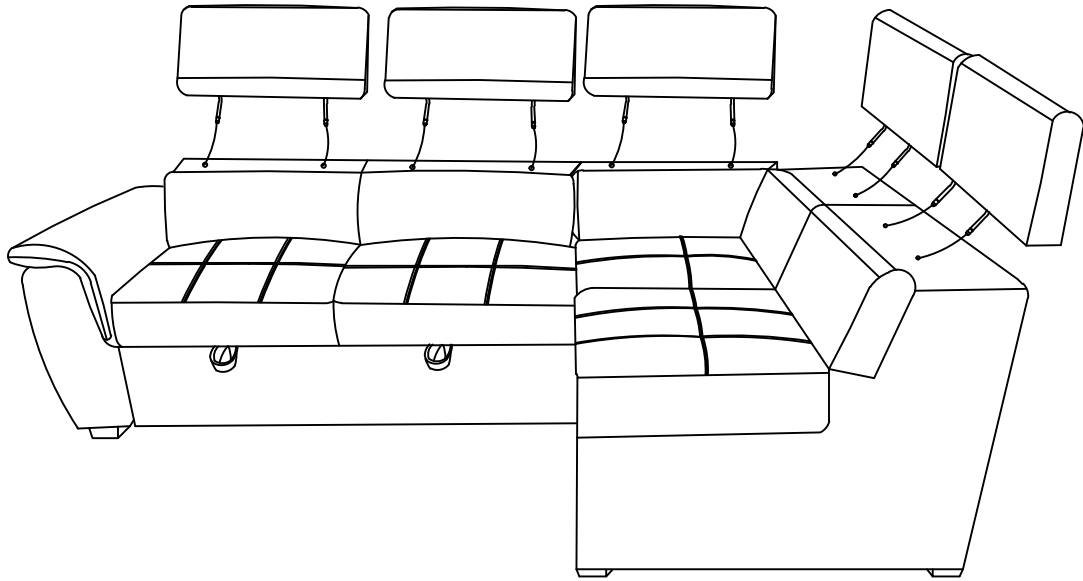
STEP 5: Turn over the chaise and install the sofa feet



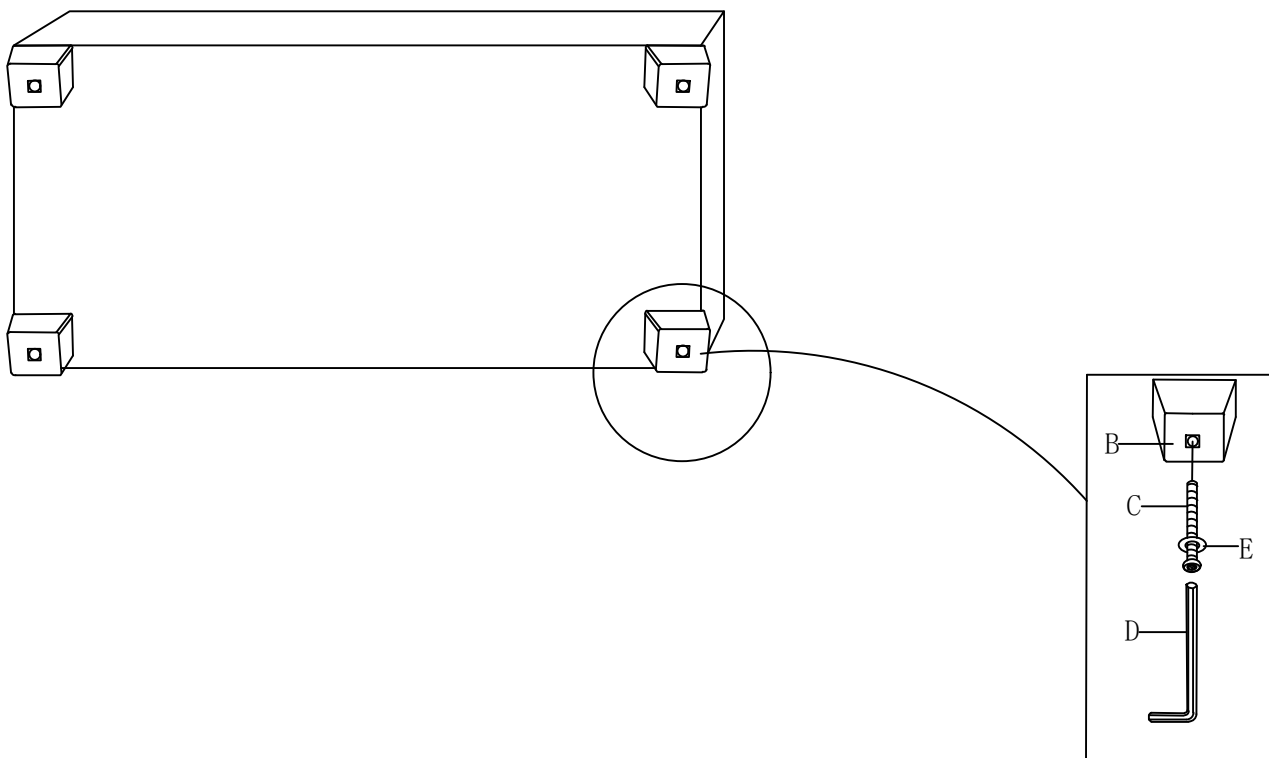
STEP 6: Insert the 2 seater with sofa bed into the chaise



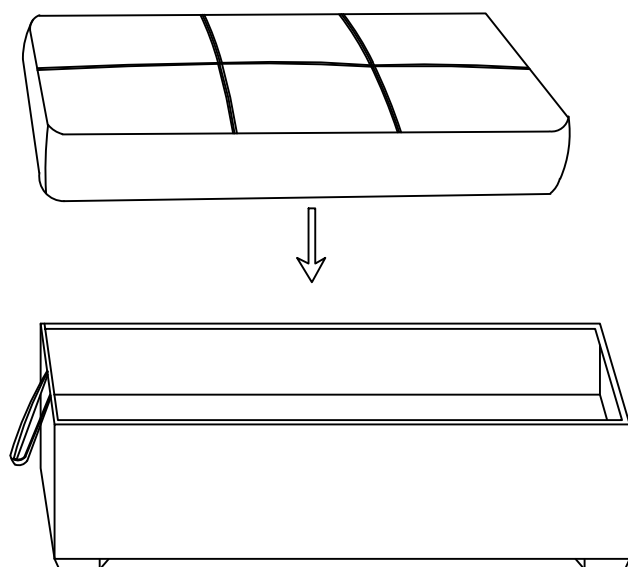
STEP 7: Insert the headrest into the sofa



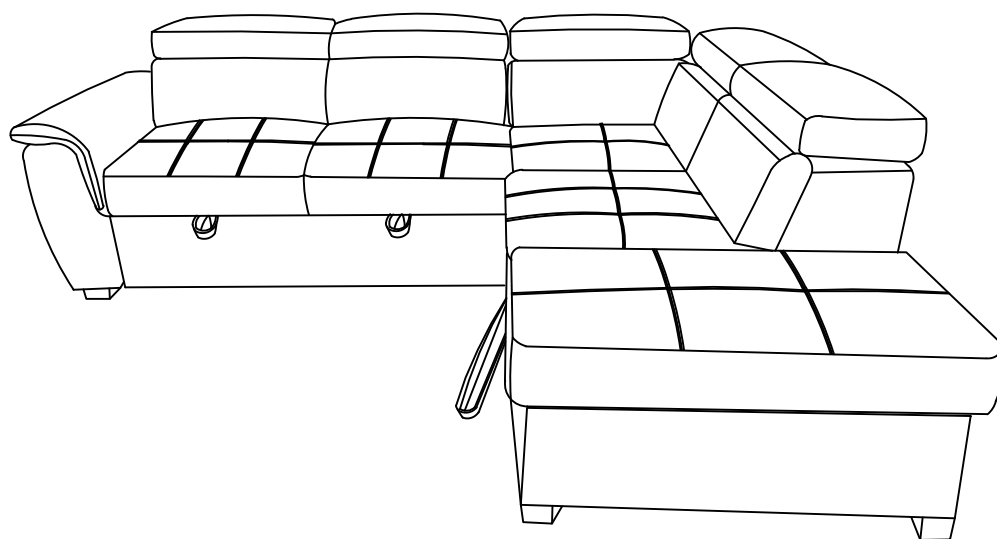
STEP 8: Turn over the ottoman frame and install the sofa feet



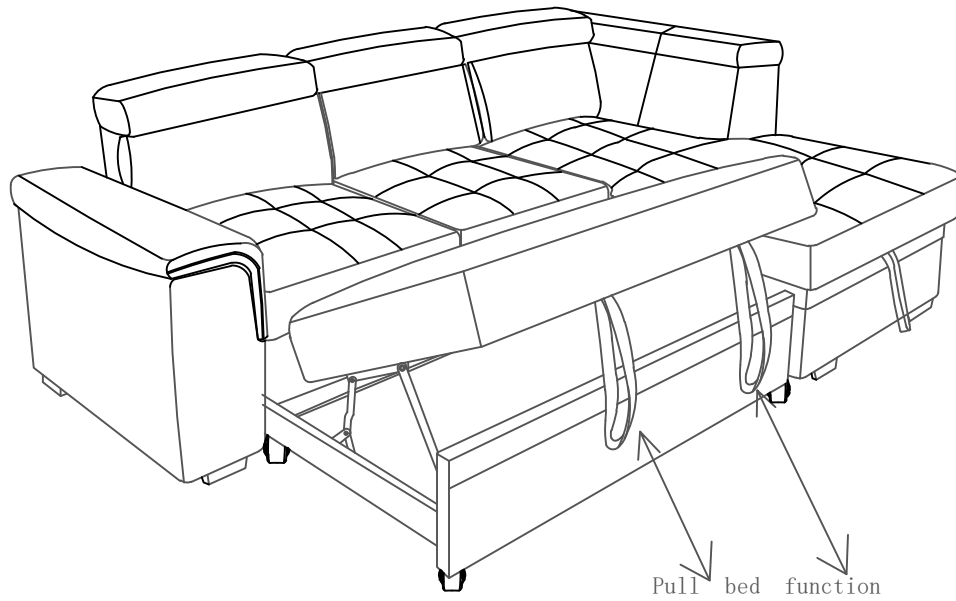
STEP 9: Put ottoman seat on ottoman frame



STEP 10: Assembly completed



STEP 11: Turn over the sofa bed frame and install the roller



STEP 12: Pull out the sofa bed

