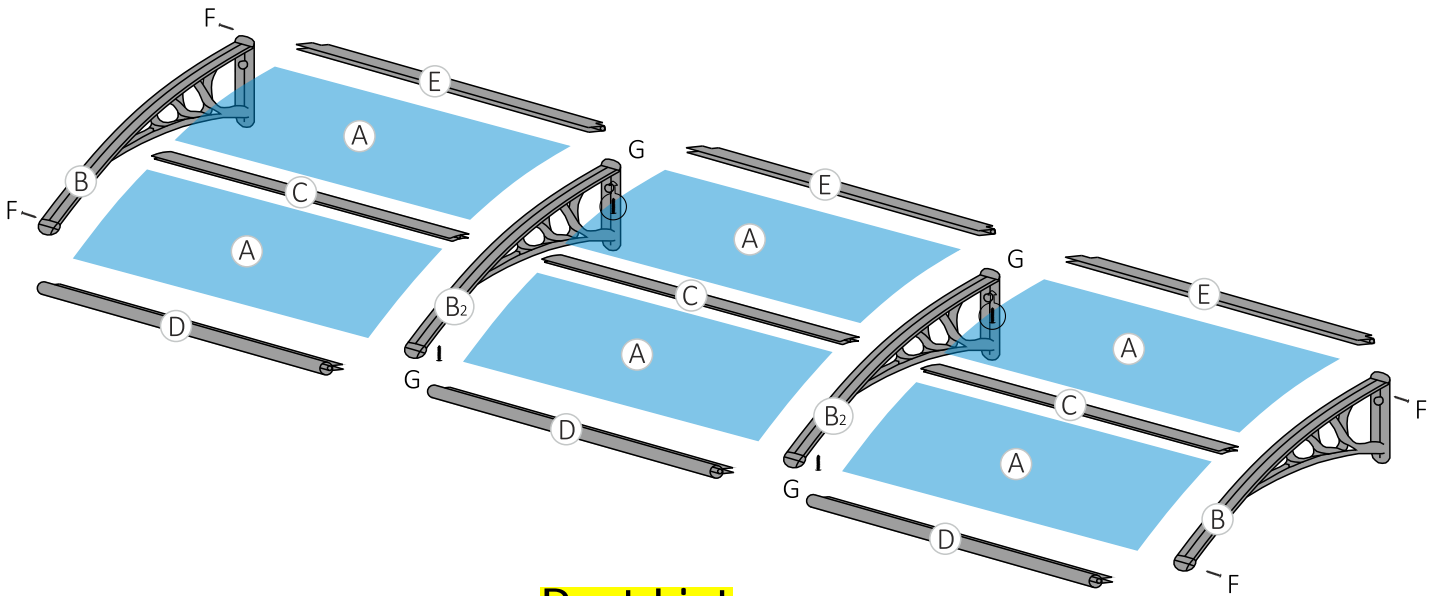





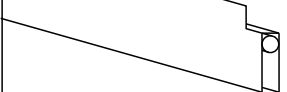





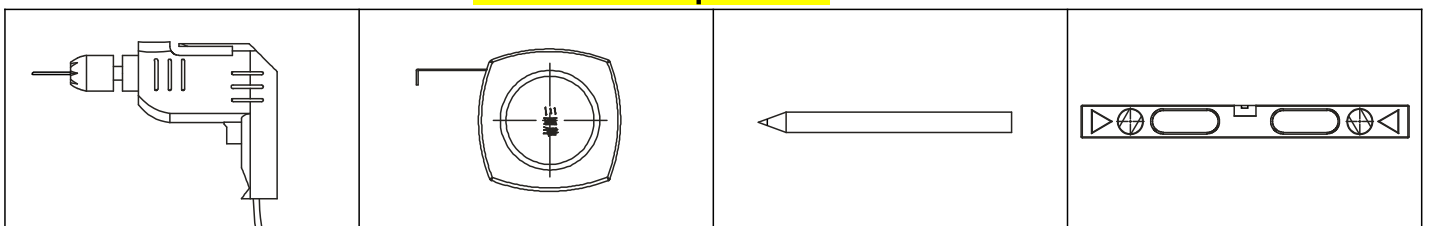
Assembly Instruction



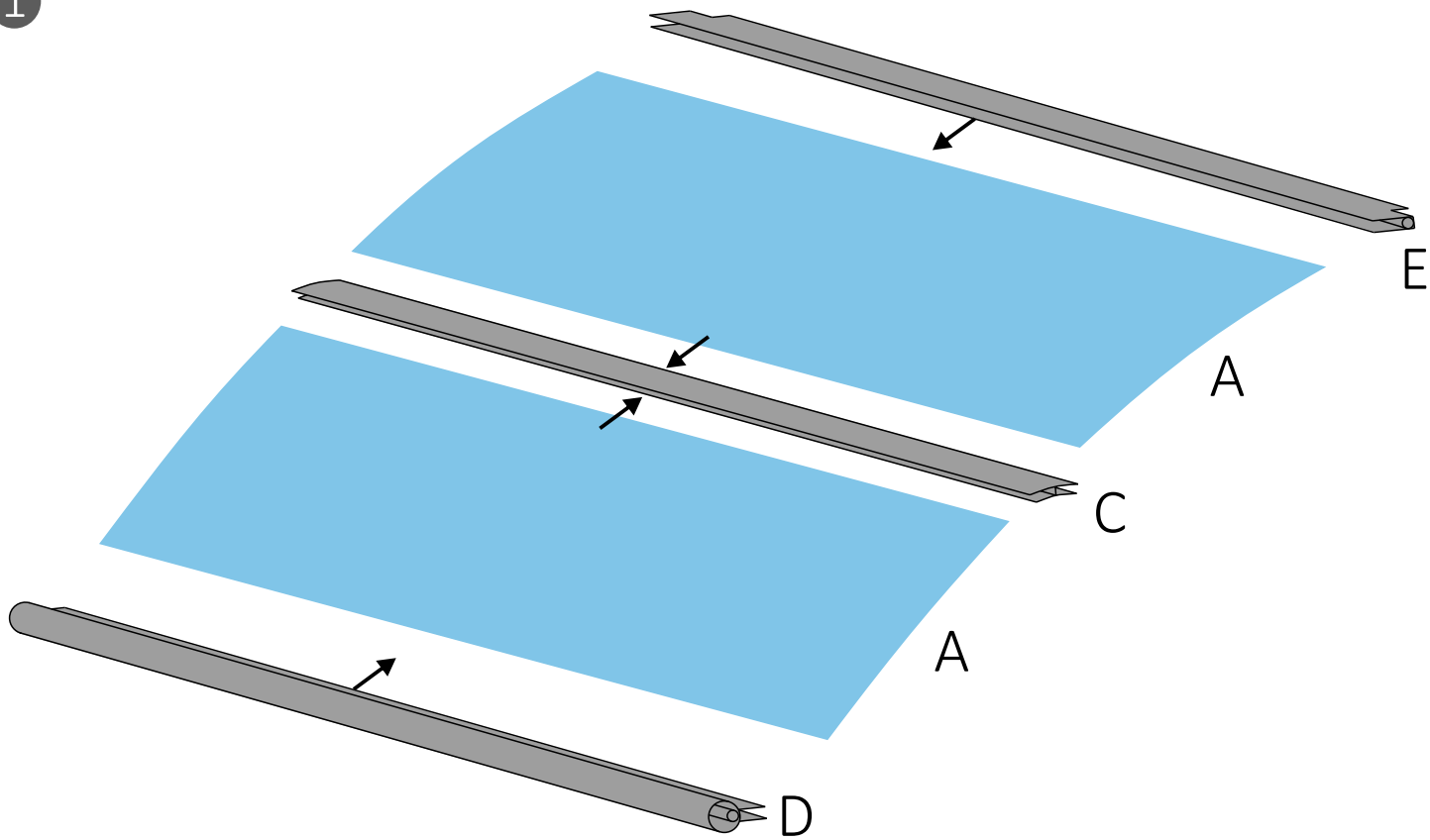
Part List

A	6x	PC Board	
B	2x	Bracket	
B ₂	2x	Middle one has holes	
C	3x	H Bar	
D	3x	Front Bar	
E	3x	Back Bar	
F	4x	Screws	
G	8x	Sharp Screws	
H	8x	Screwset	

Tools Required

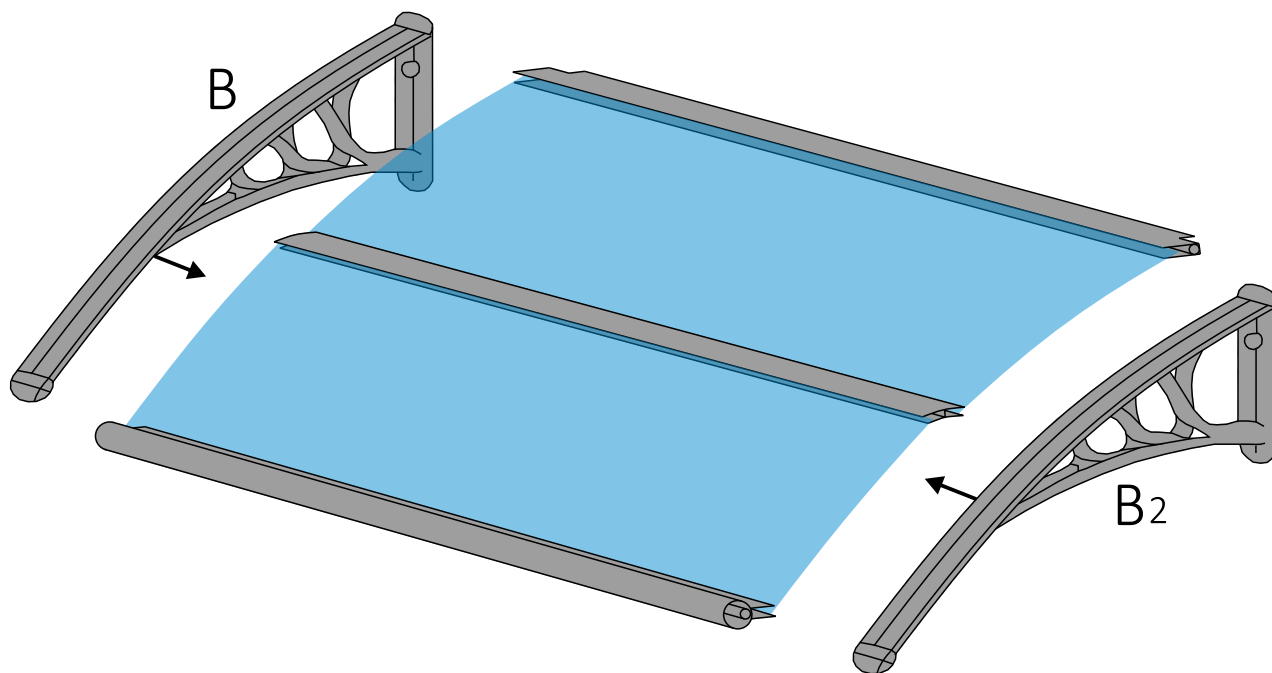


1



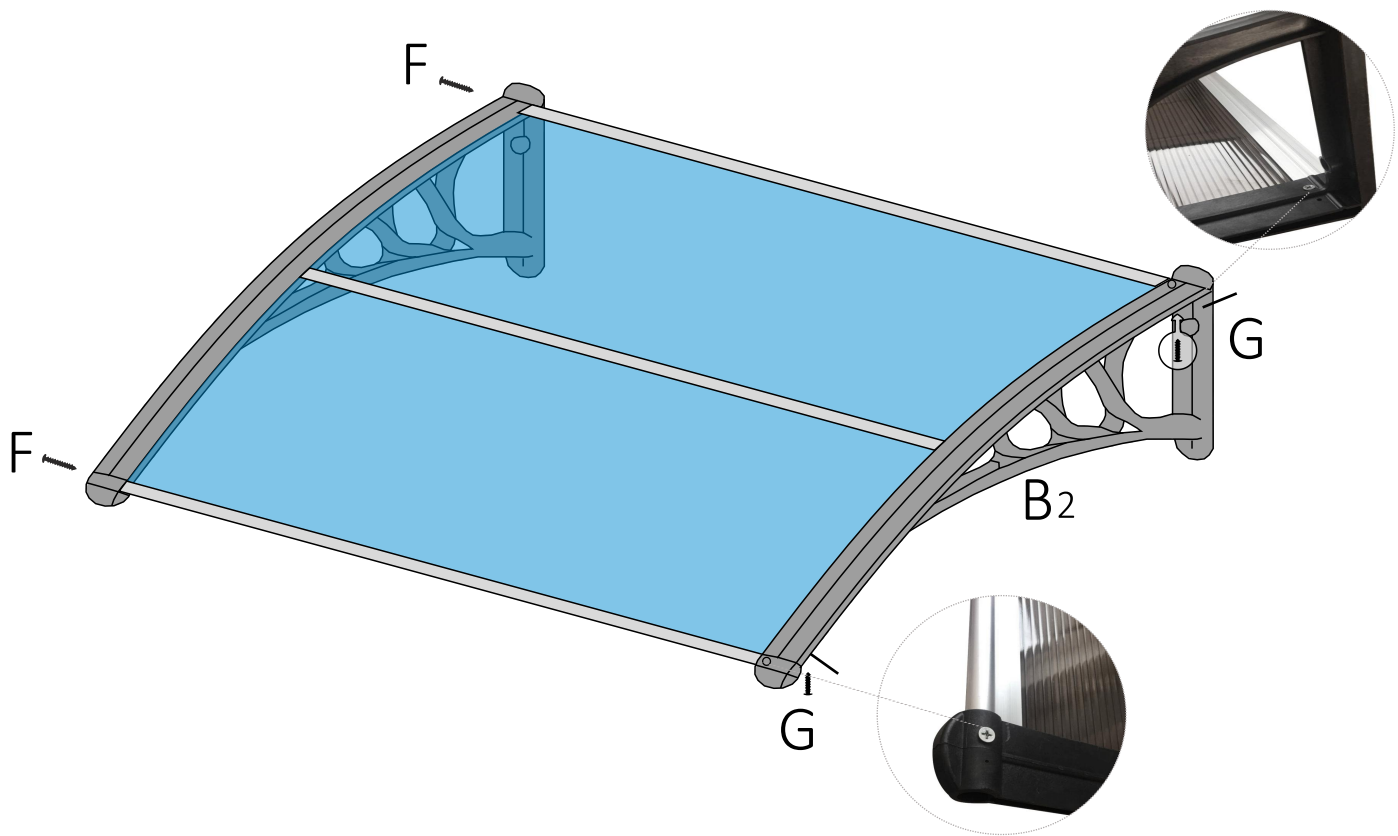
Place the roof plates (2XA) on the connection profile (C) and a front profile (D) a wall profile (E)

2



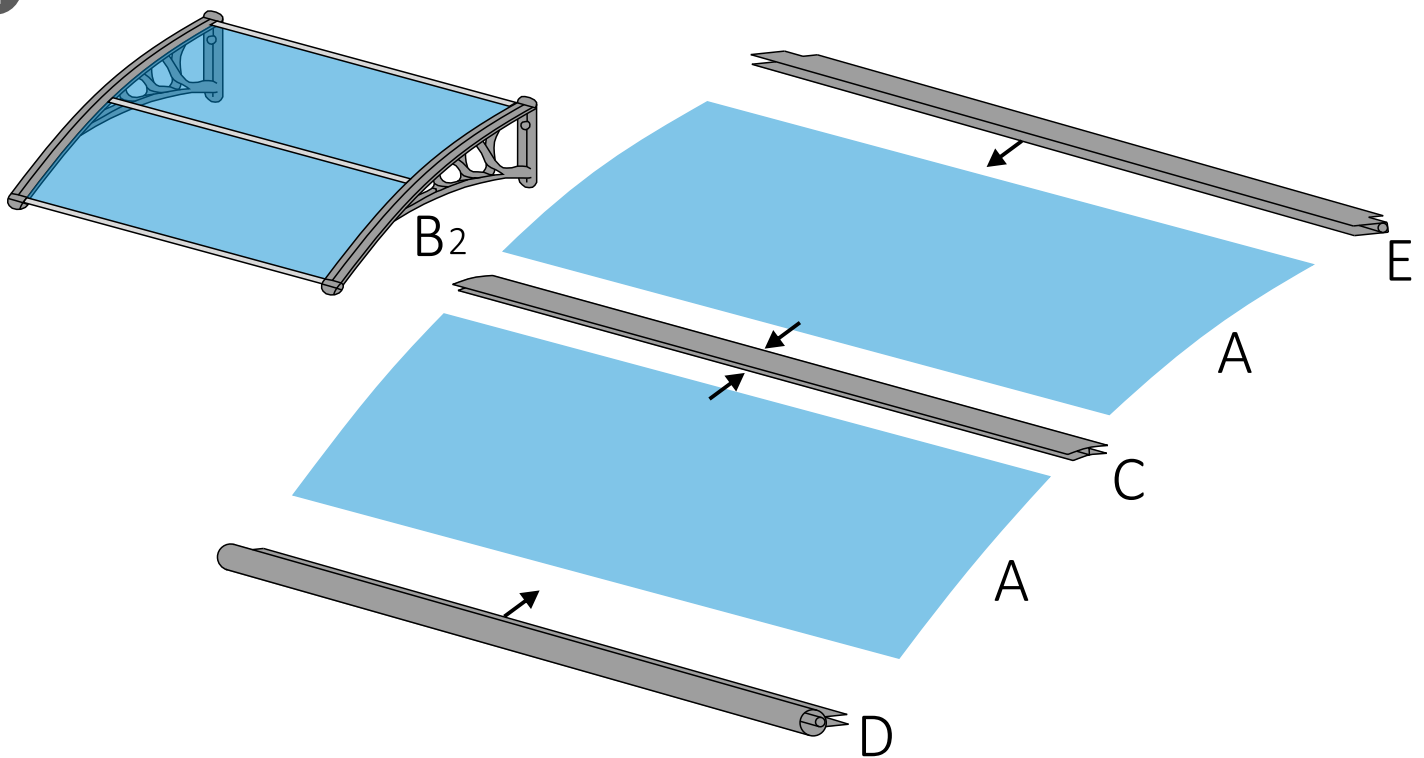
Place the holder (B) and (B2) on the roof plates (A)

3



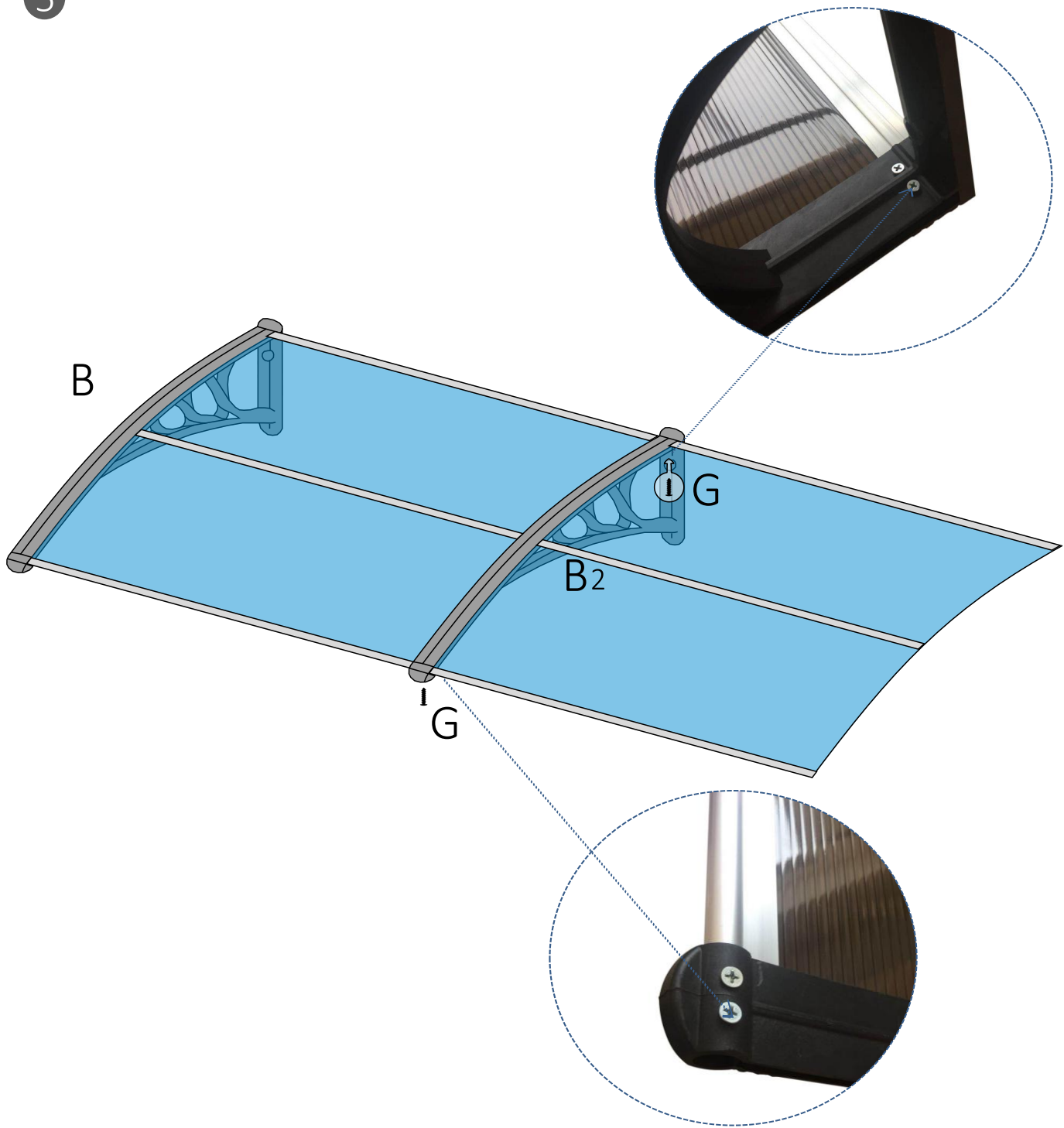
Attach the holder (B) to the front profile (D) and the Wall profile (E) by screws (F) and fix the inner holder (B2) by screws (G) from the bottom to the front profile (D) and the Wall profile (E)

4



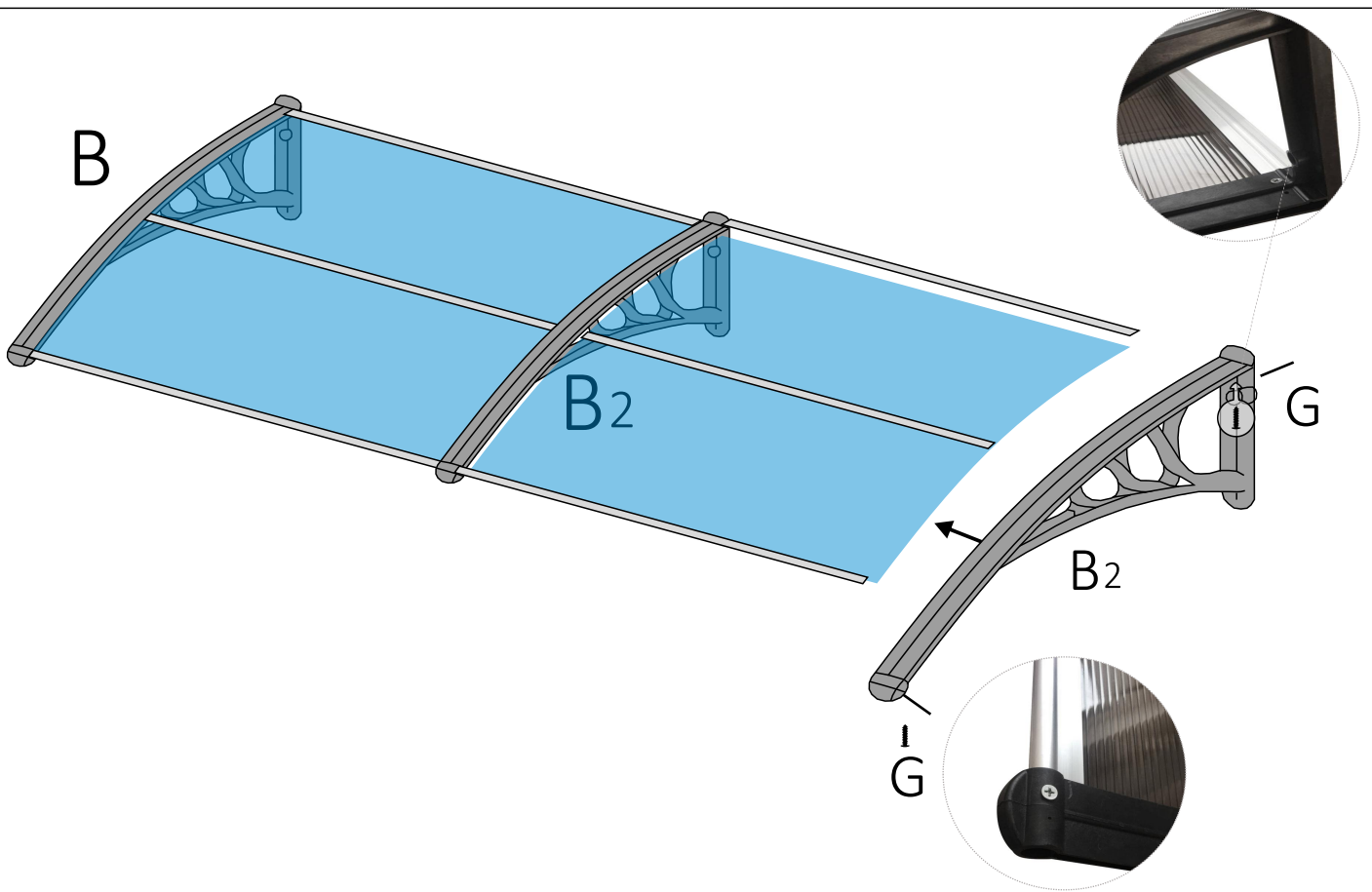
Place the roof plates (2XA) on the connection profile (C) and a front profile (D) a wall profile (E)

5



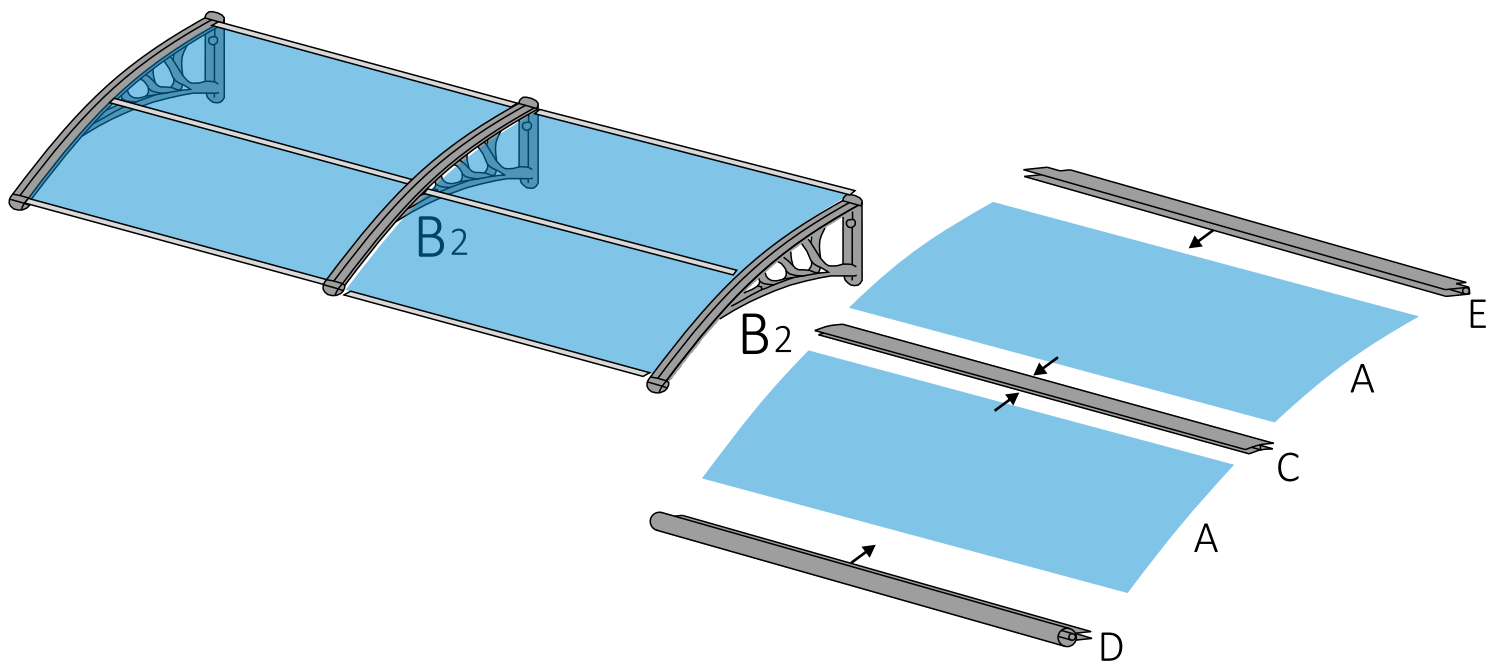
Tighten inner holder (B2) by screws (G) from the bottom to the front profile (D) and the Wall profile (E)

6



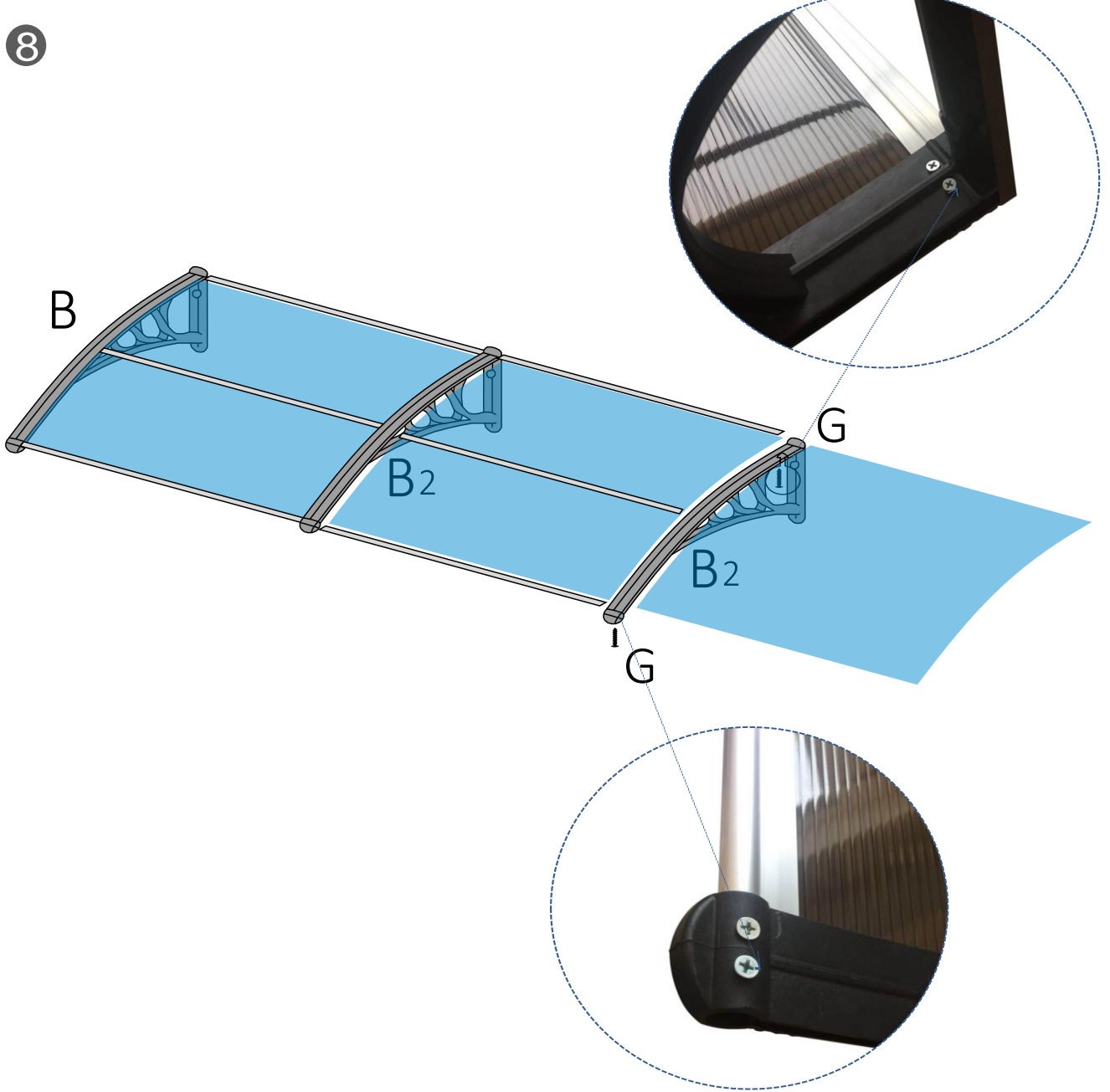
Place the holder (B2) on the roof plates (A) and fix the inner holder (B2) by screws (G) from the bottom to the front profile (D) and the Wall profile (E)

7



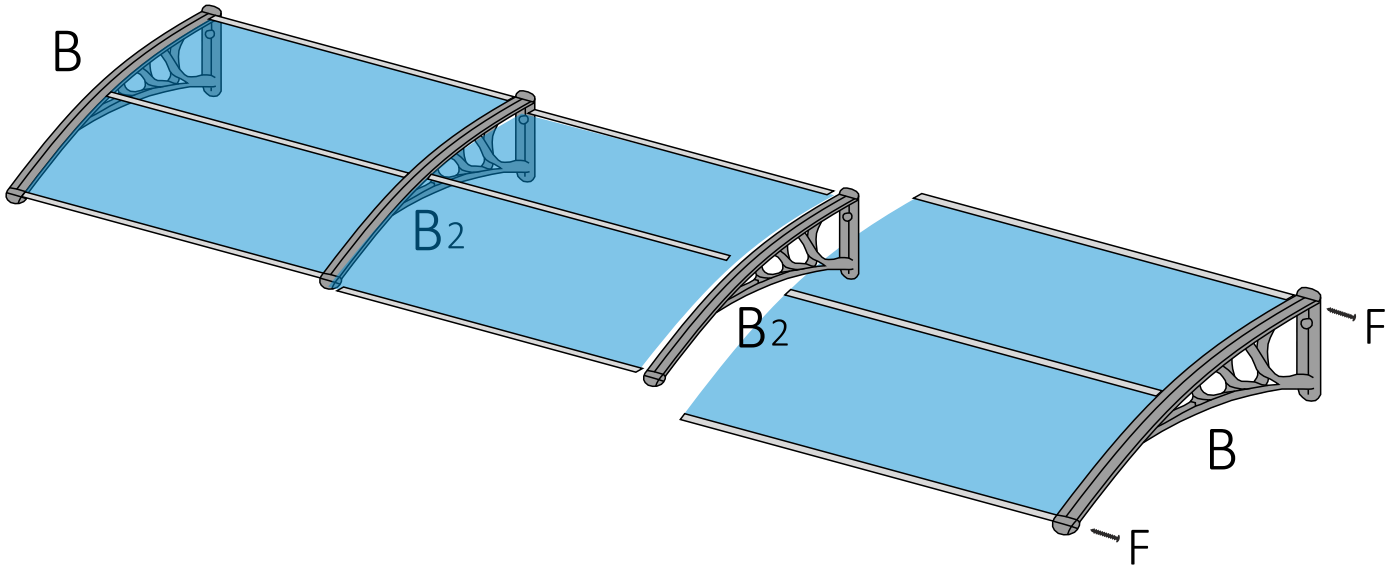
Place the roof plates (2XA) on the connection profile (C) and a front profile (D) a wall profile (E)

8



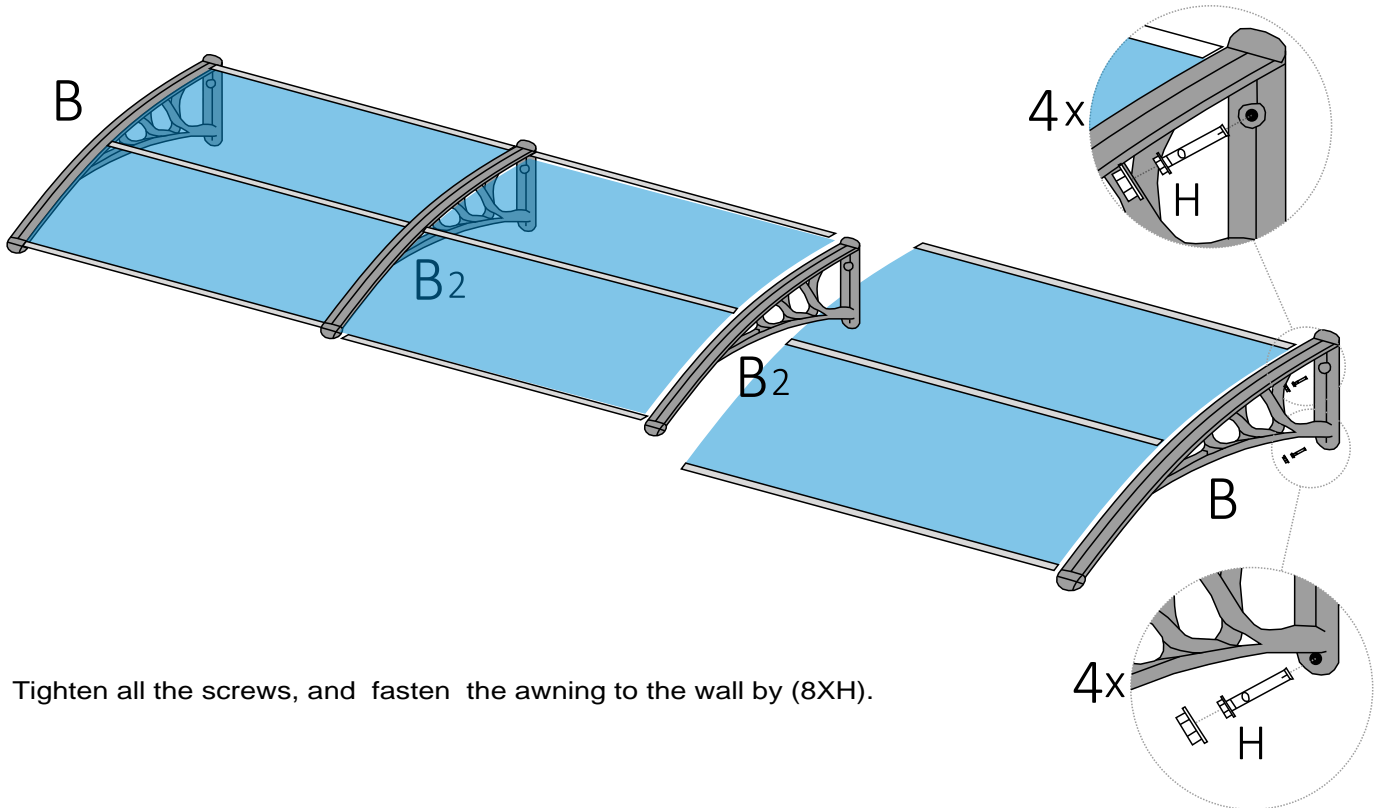
Tighten inner holder (B2) by screws (G) from the bottom to the front profile (D) and the Wall profile (E)

9



Fasten the holder (B) by screws (F) to the front profile (D) and wall profile (E) and place the second part of the canopy on the first part

10



Tighten all the screws, and fasten the awning to the wall by (8XH).