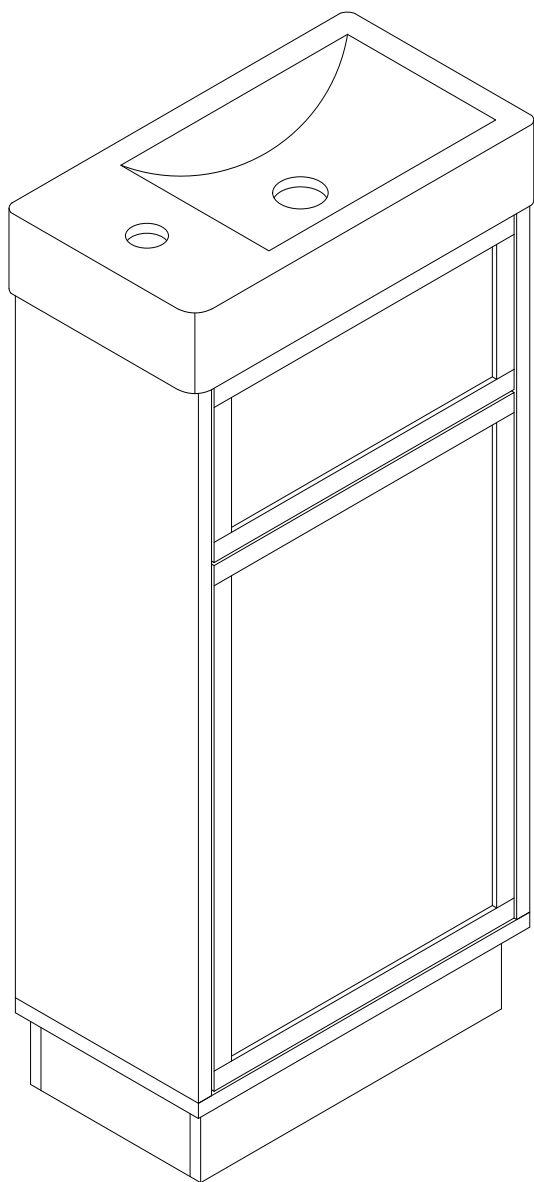
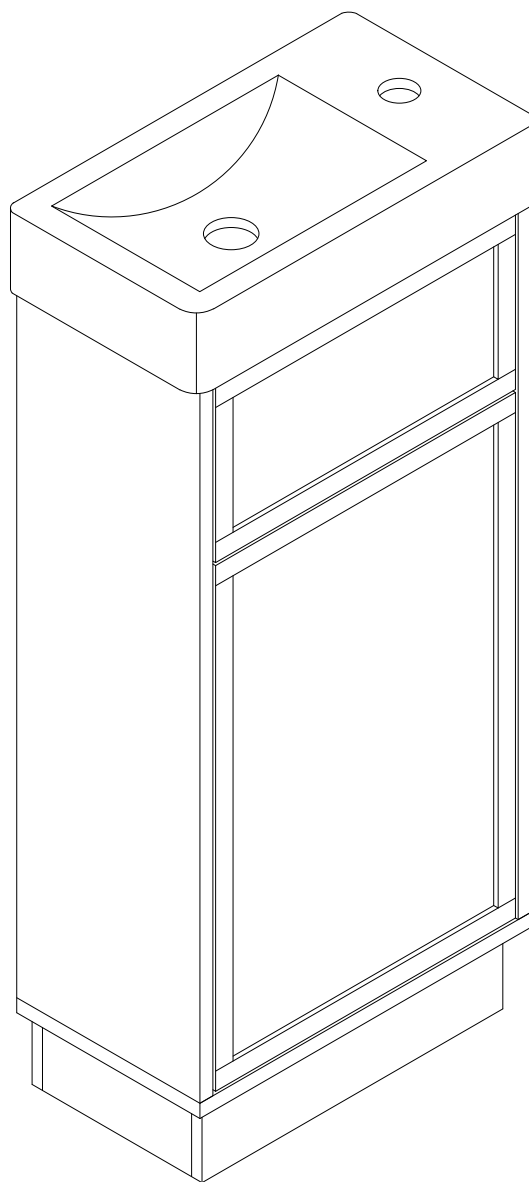


ASSEMBLY INSTRUCTIONS



or



Before Installation

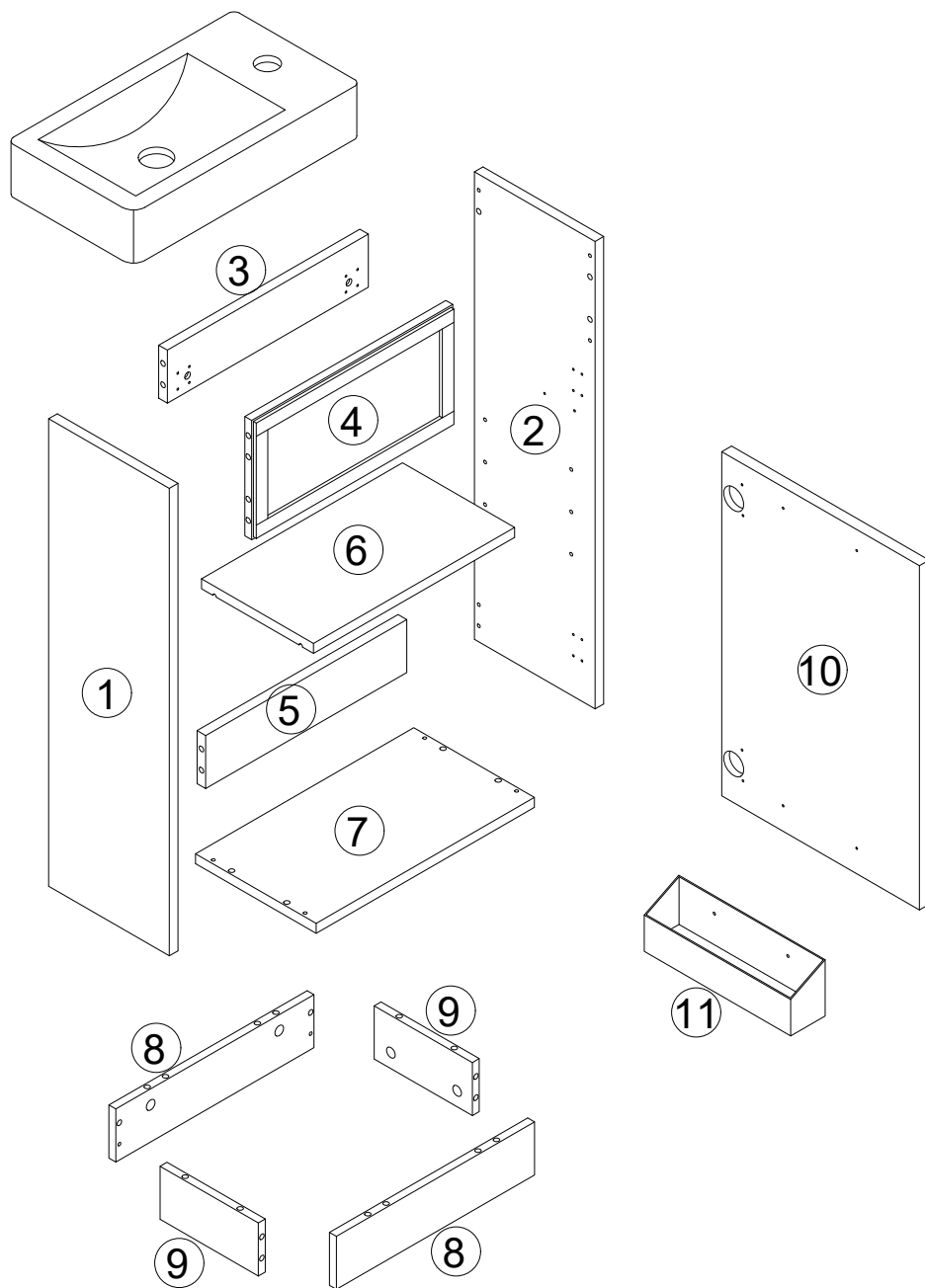
Important-Please read these instructions fully before starting assembly

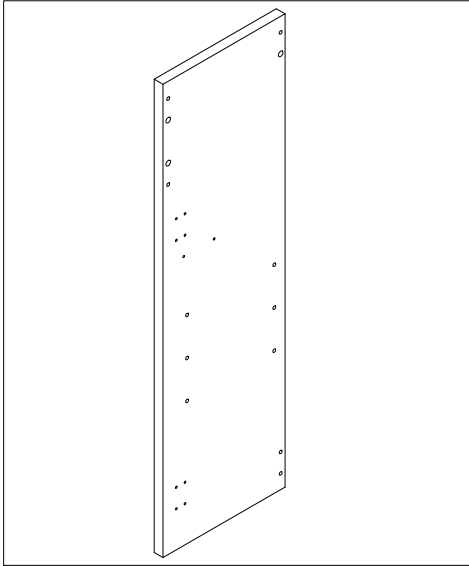
Thank you for purchasing this quality product. Be sure to check all packing materials carefully for small parts, which may have come loose inside the carton during shipment. Identify and count all items according to the PARTS LIST and/or HARDWARE LIST shown below. Check you have all the components and tools listed on the following pages.

- We recommend that you assemble this product with the assistance of another person; this will make the assembly easier, and will help eliminate damage to the product or injury to persons during assembly.
- Please do not over tighten screws or bolts until the assembly is completed.
- Keep children and animal away from the work area, small parts could choke if swallowed. Please put all parts on a non-abrasive floor before assembly, and follow the assembly steps to assemble your newly purchased product correctly and efficiently.

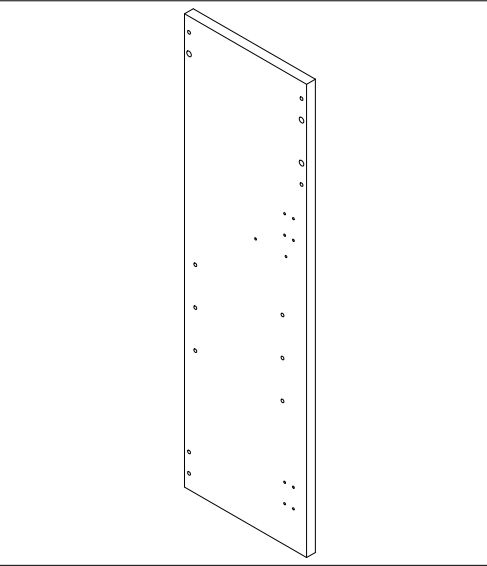
Cam Lock Assembly Instructions

		Diagram A Insert Cam Bolt into hole as shown in diagram A.
		Diagram B Make sure not to insert the Cam Bolt: Too deep as shown in figure B as this will cause the Cam Lock to be misaligned and unable to interlock properly.
		Diagram C Also avoid inserting the Cam Bolt too close to the surface of the hole as shown in figure C, as this will cause the Cam Lock to be too loose, and not interlock properly.
		Connect the panels together.
		ARROW SIGN Insert the Cam Lock so the side opening fits over the head of the Cam Bolt.
		To tighten the Cam Lock, turn it clockwise on half a turn with a flat screwdriver. *Do not use an automatic screwdriver as it may bend or break if too much power is imposed.

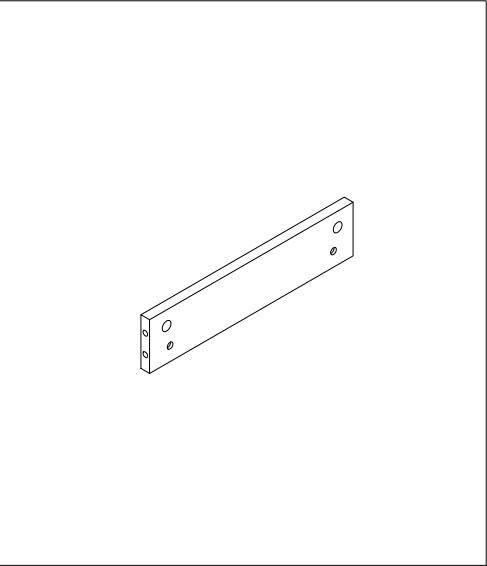




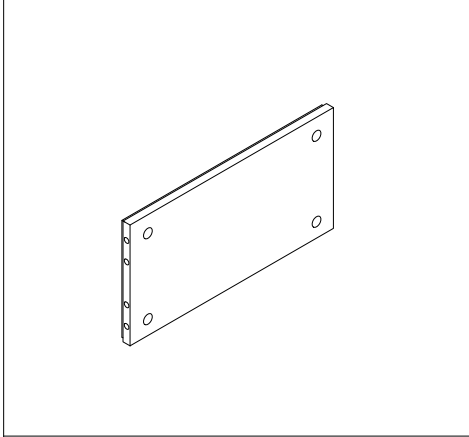
① x 1



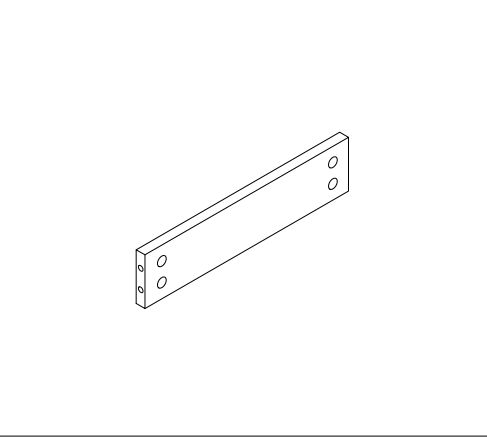
② x 1



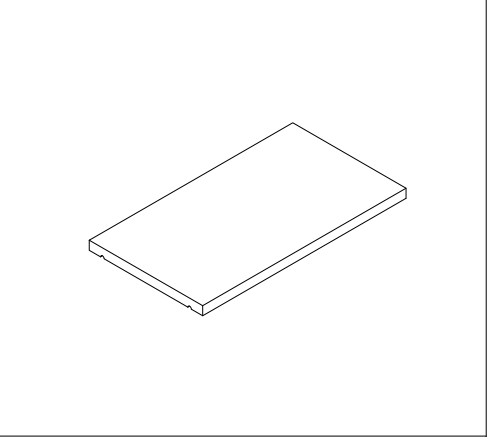
③ x 1



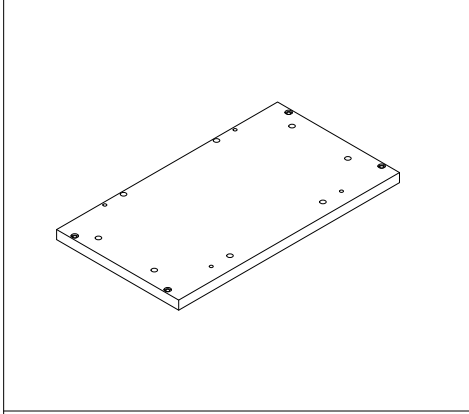
④ x 1



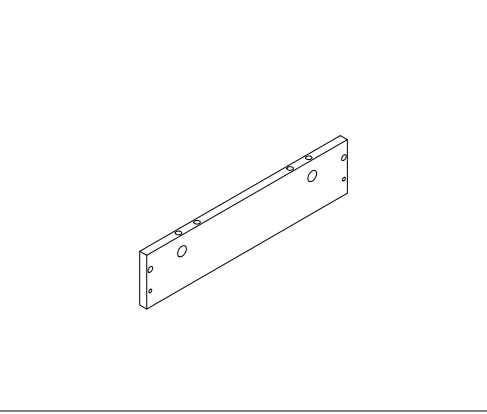
⑤ x 1



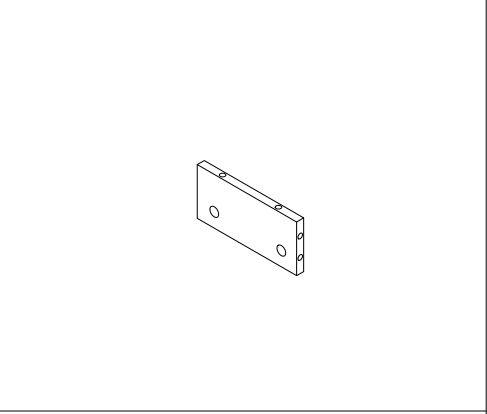
⑥ x 1



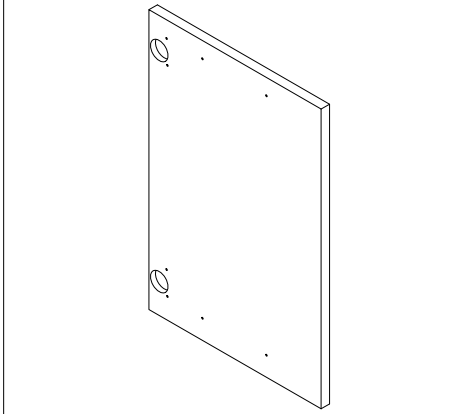
⑦ x 1



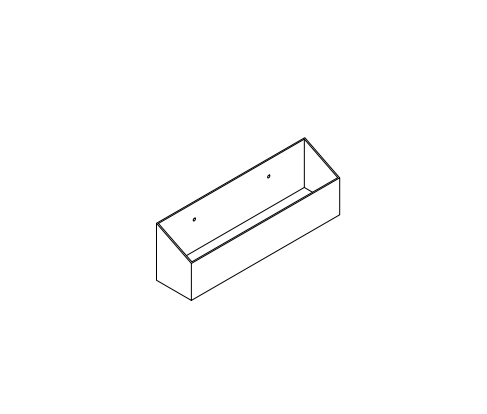
⑧ x 2



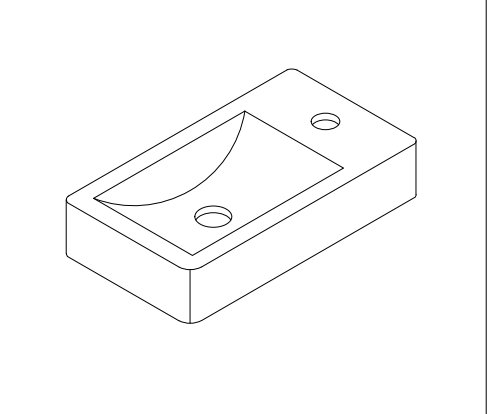
⑨ x 2

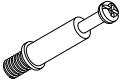



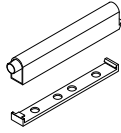

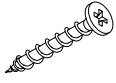
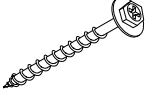
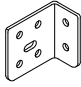
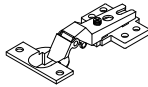
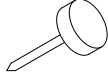




⑩ x 1

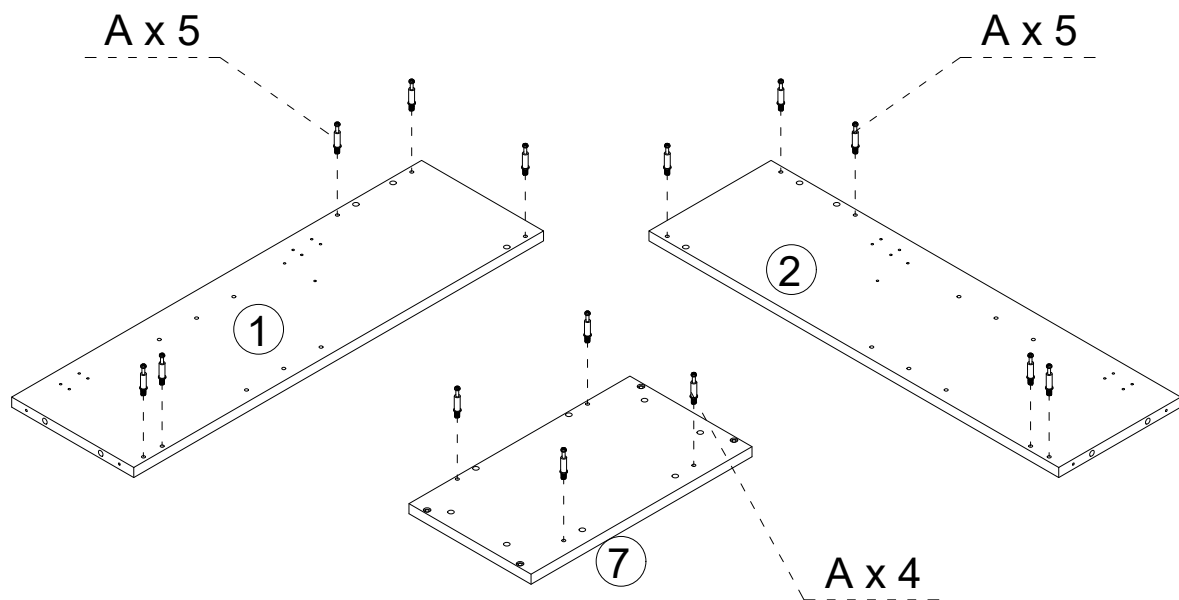


⑪ x 1




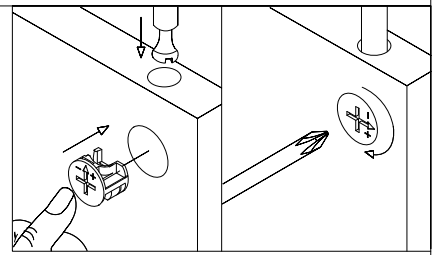
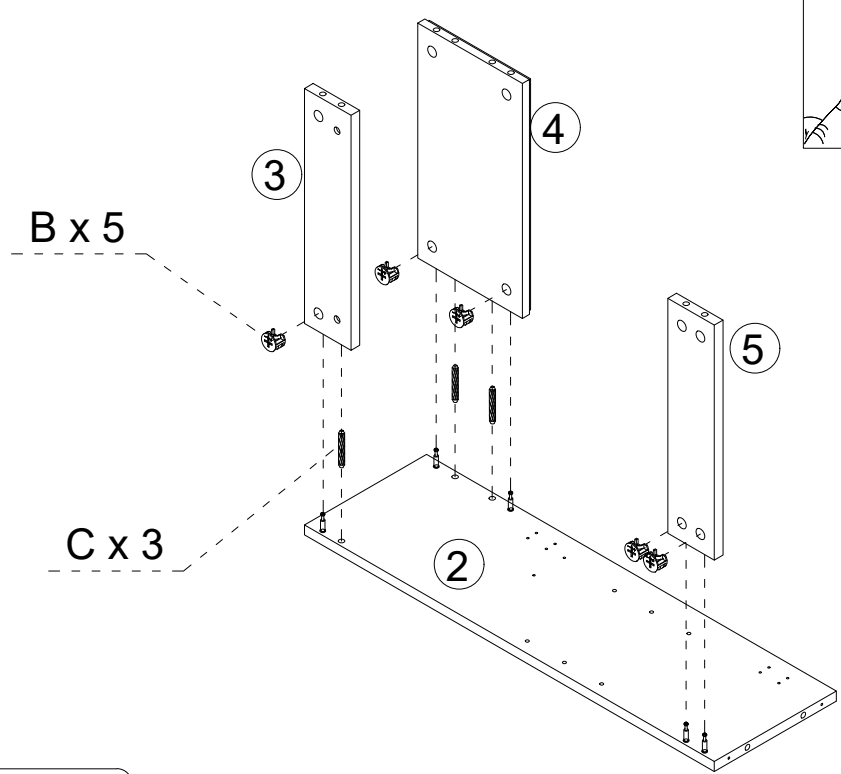
					
Φ6x35mm A x 18+1	Φ15x9.5mm B x 18+1	Φ6x30mm C x 22+2	M3.5x12mm D x 16+1	E x 1	M4x12mm F x 12+1
					
M4x35mm G x 4	M6x60mm H x 2	I x 2	Φ35mm J x 2	K x 4	Φ8x40mm L x 2
					
Φ5x25mm M x 4					

Step 1




$\Phi 6 \times 35 \text{mm}$
 $A \times 14$

Step 2

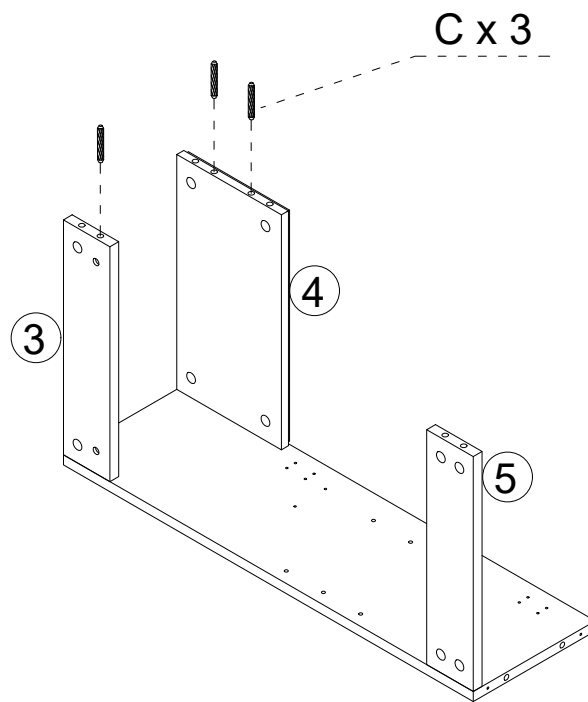


$\Phi 15 \times 9.5 \text{mm}$
 $B \times 5$

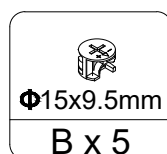
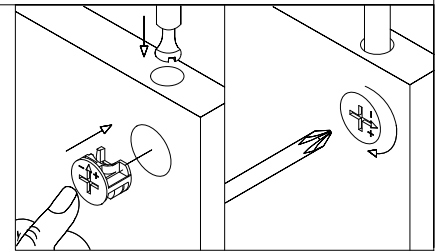
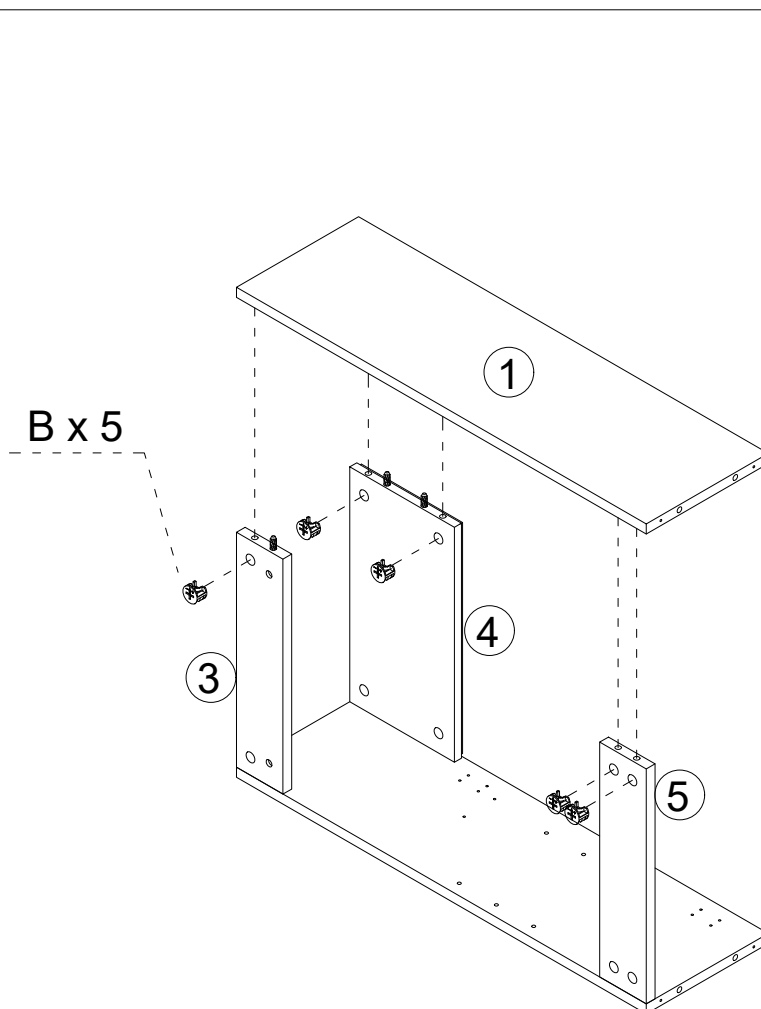


$\Phi 6 \times 30 \text{mm}$
 $C \times 3$

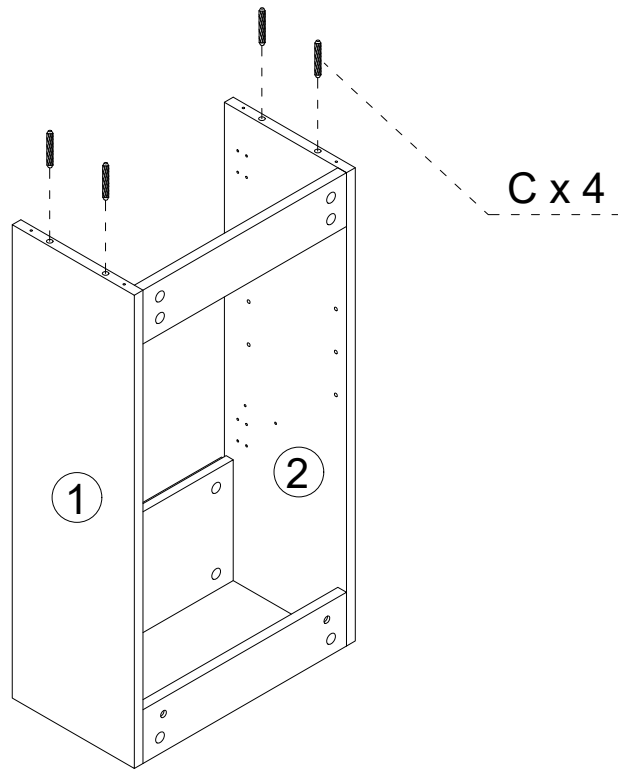
Step 3



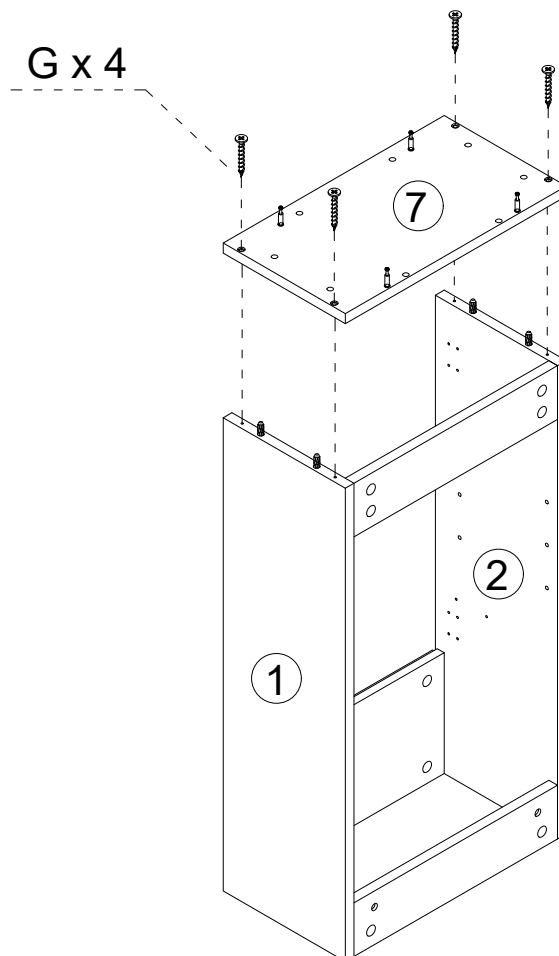
Step 4



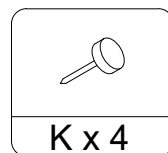
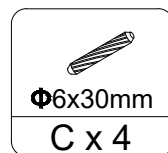
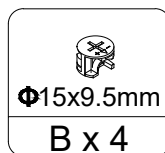
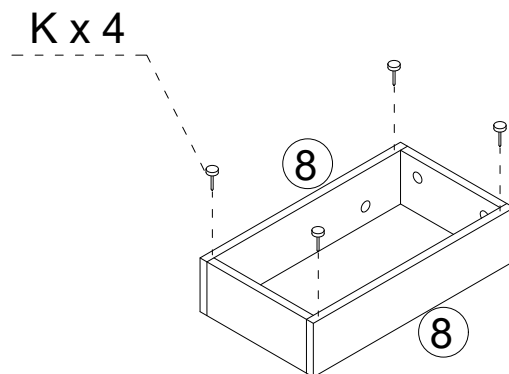
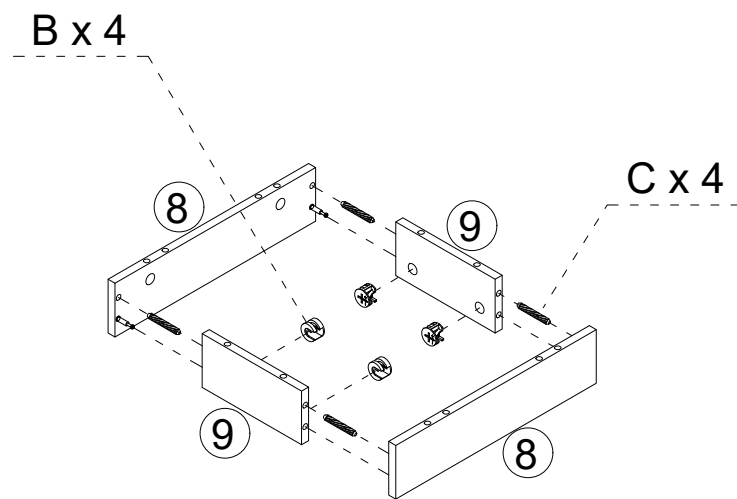
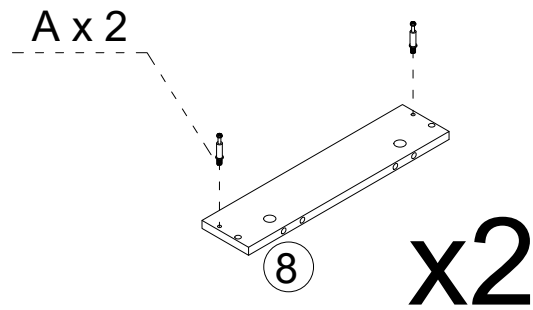
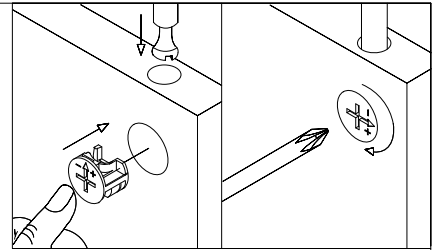
Step 5



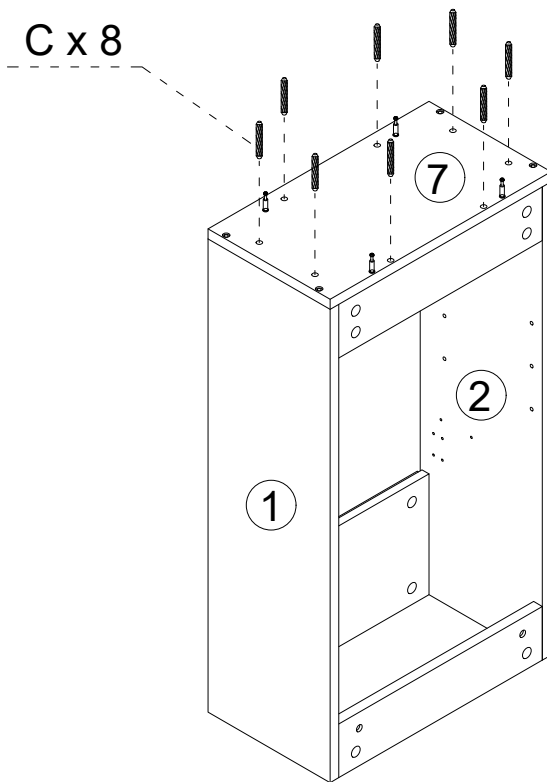
Step 6



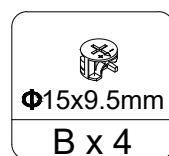
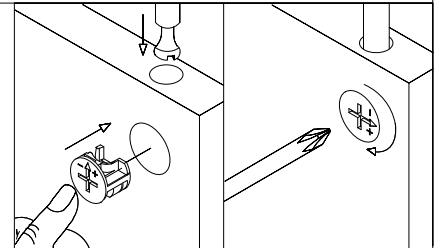
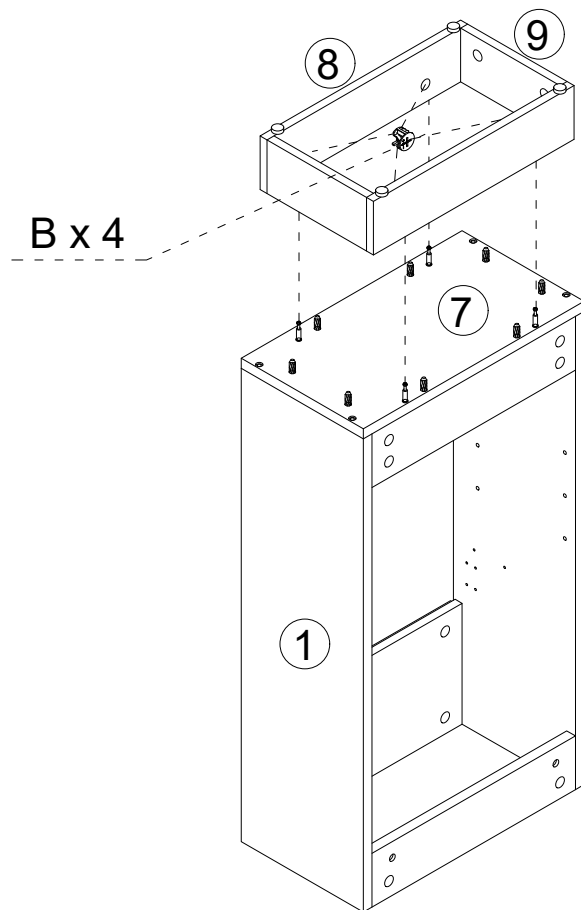
Step 7



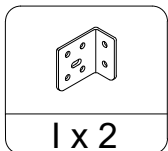
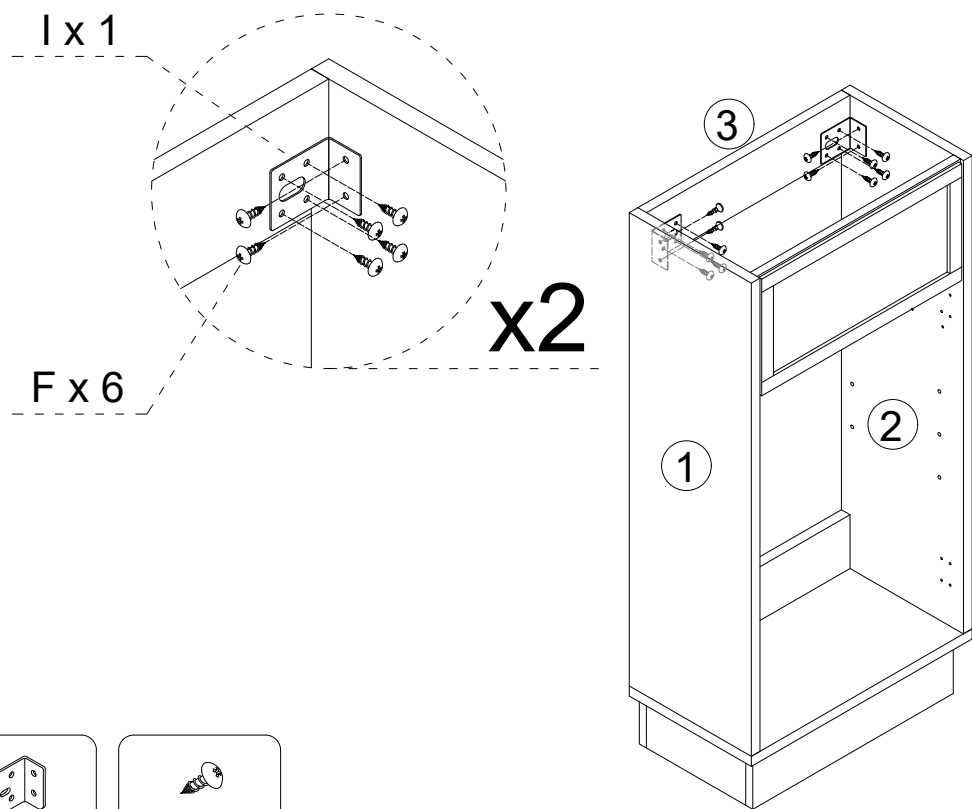
Step 8



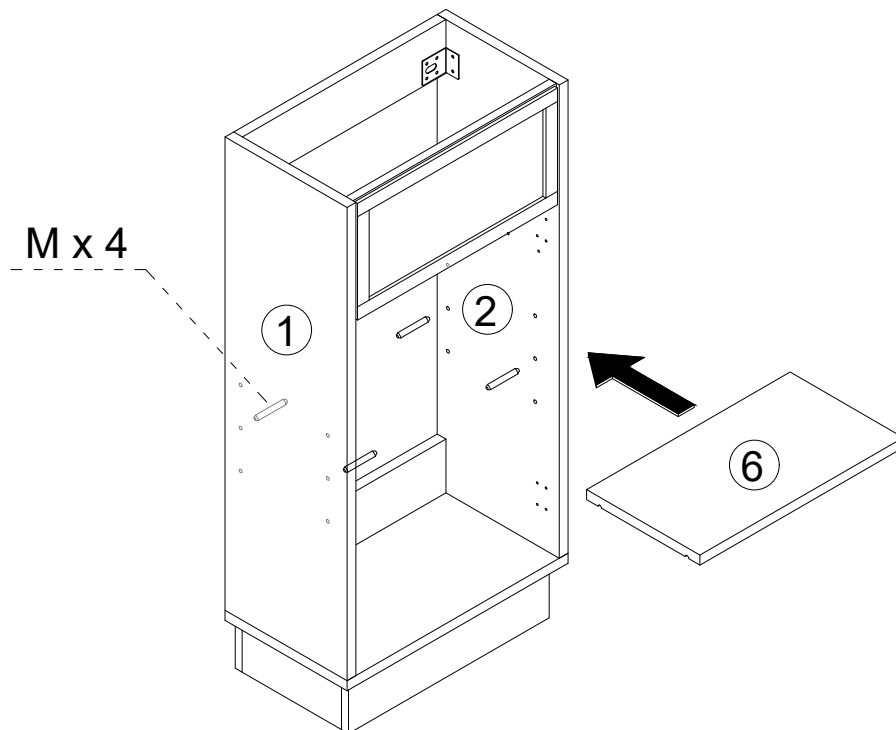
Step 9



Step 10



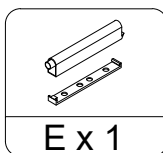
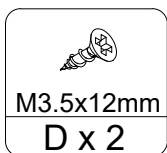
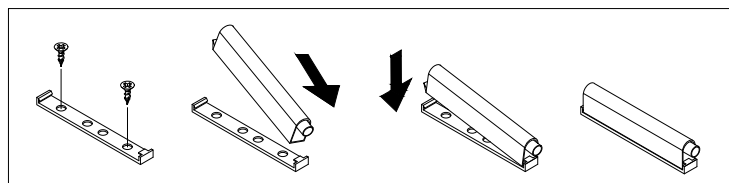
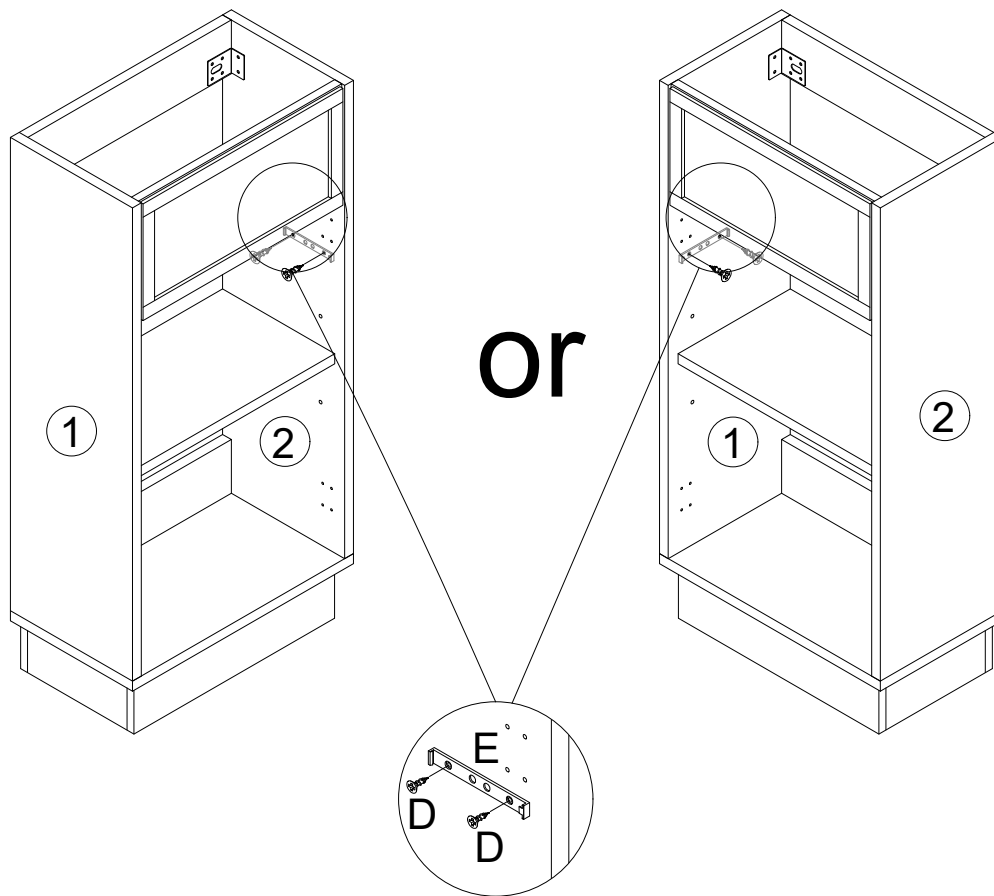
Step 11



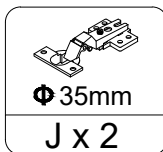
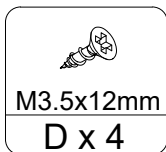
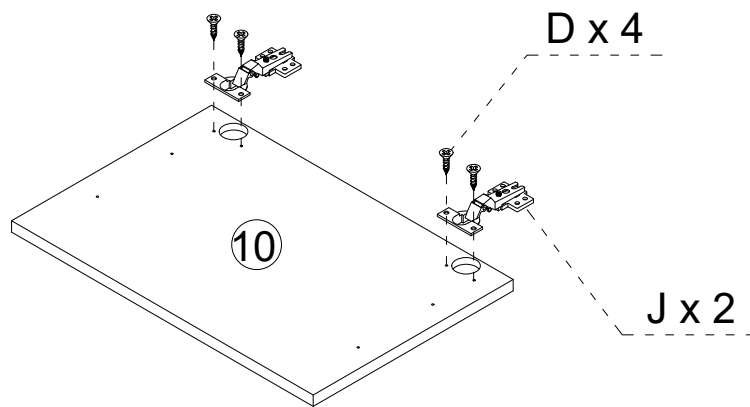
Step 12

Door to the left

Door to the right



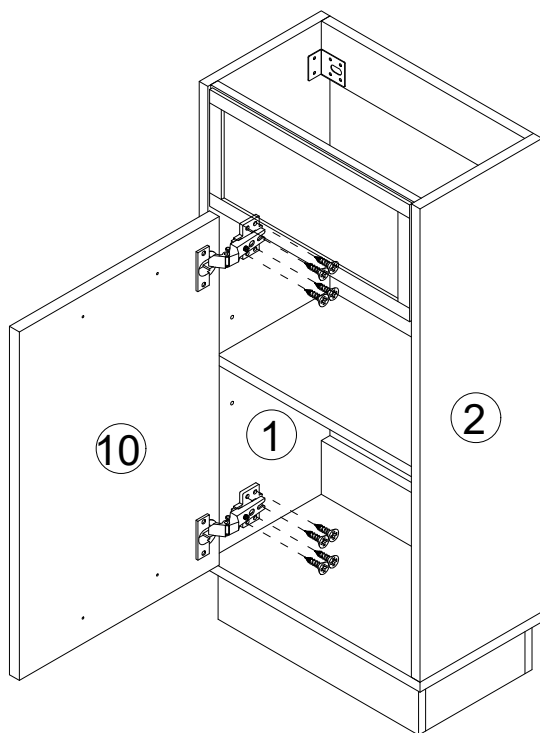
Step 13



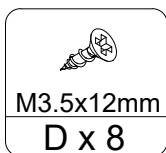
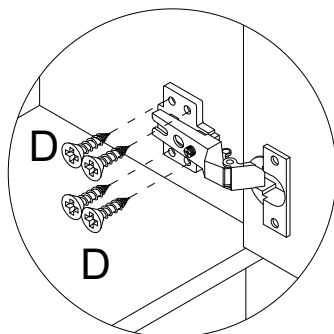
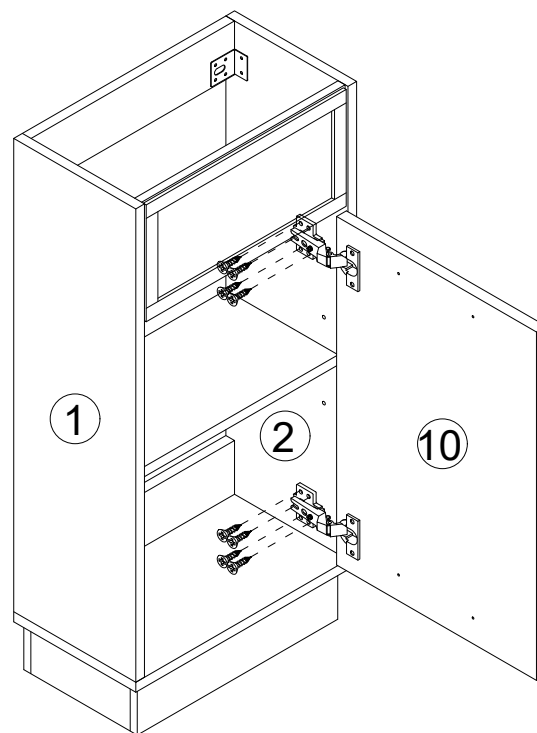
Step 14

Door to the left

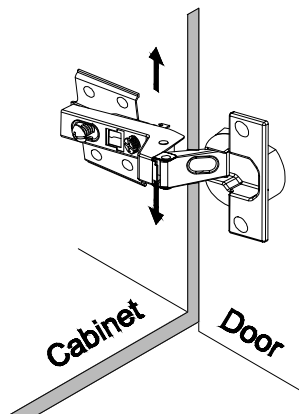
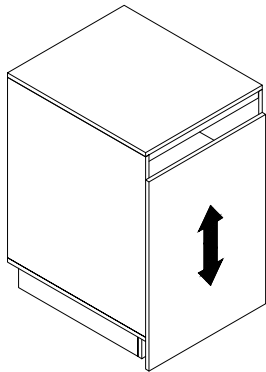
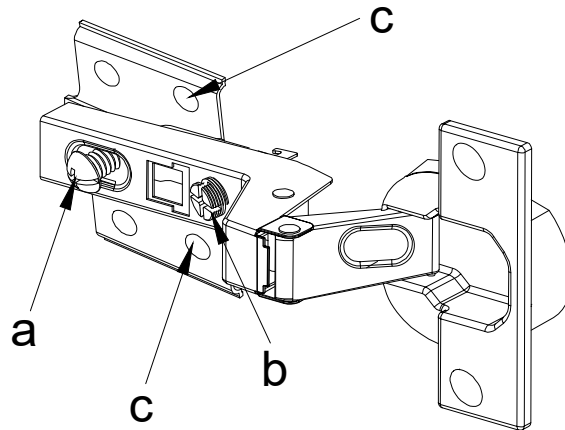
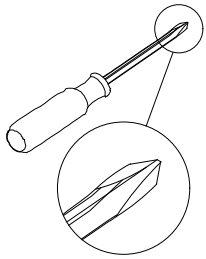
Door to the right



or

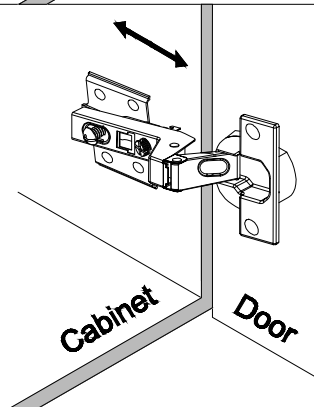
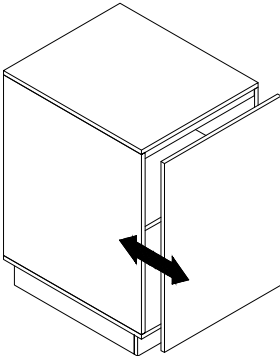


Step 15



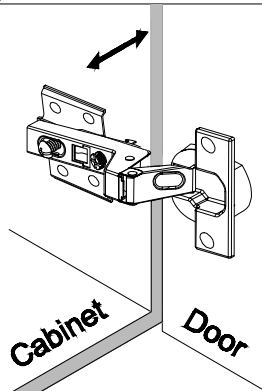
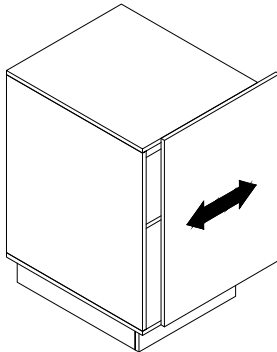
To adjust the vertical height.

Loosen the four screws "c" on both hinges. Two of them are usually in slotted holes which allows you to adjust up or down by a few mm. Then tighten back up.



To adjust depth.

Loosen screw "a" and adjust door, if the door can not be adjusted, please loosen screw "b", then try again. Tighten screw "a" and "b".



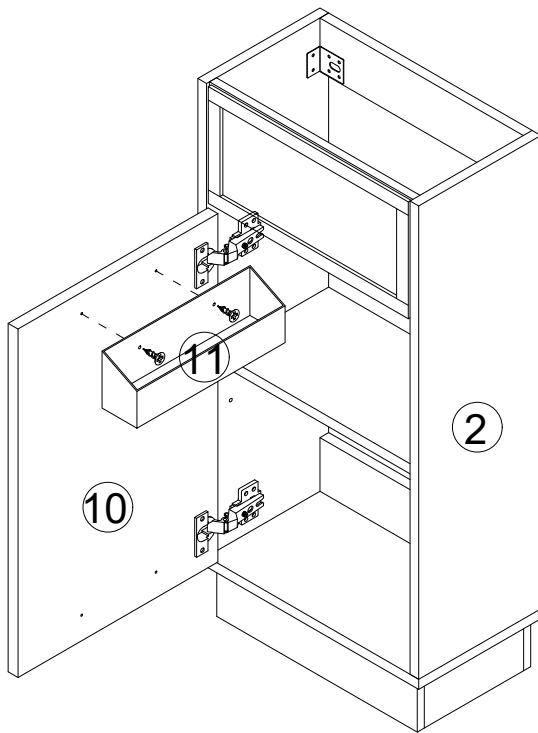
To adjust side ways.

Turning the screw "b" on BOTH hinges on each door.

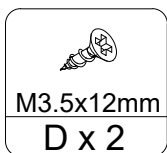
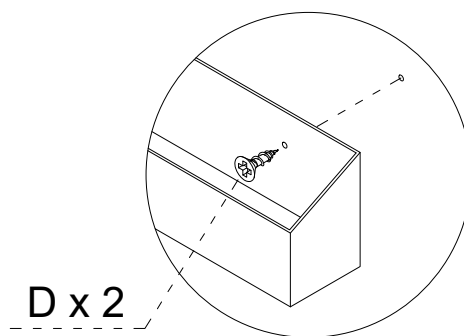
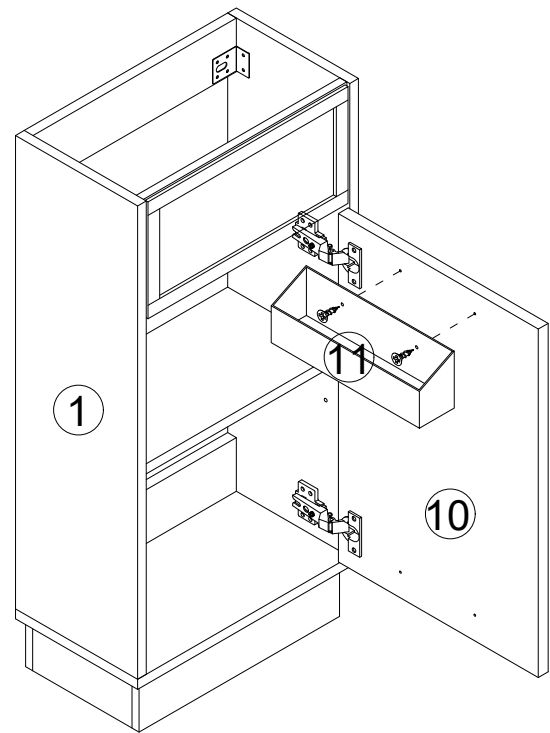
Step 16

Door to the left

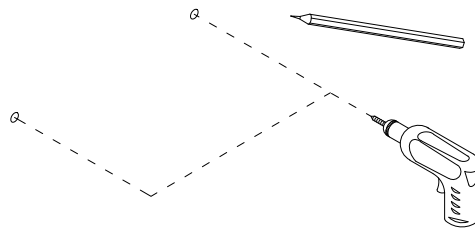
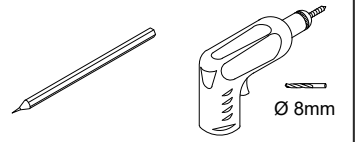
Door to the right



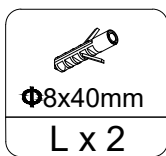
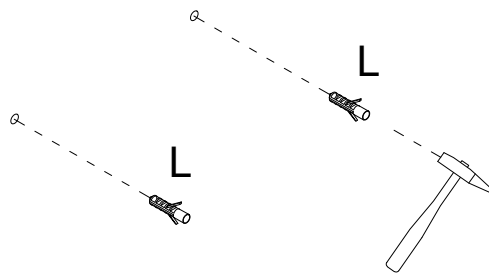
or



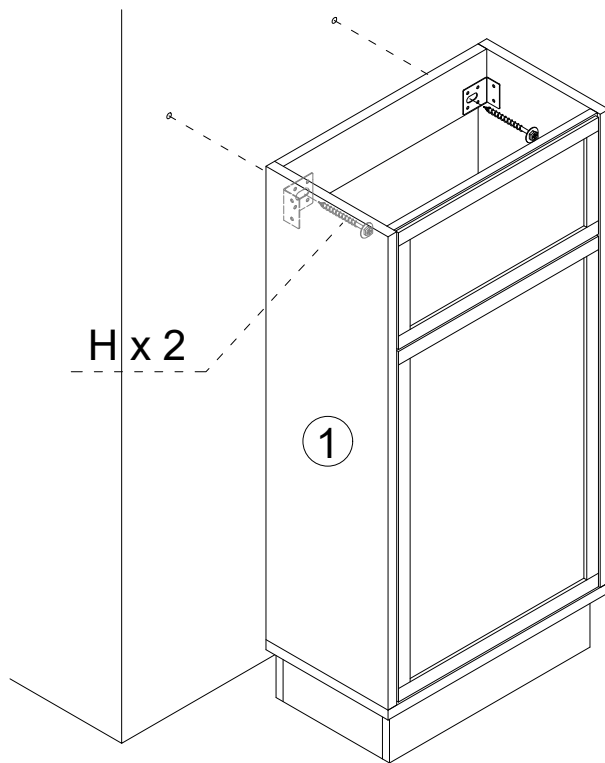
Step 17



Step 18



Step 19

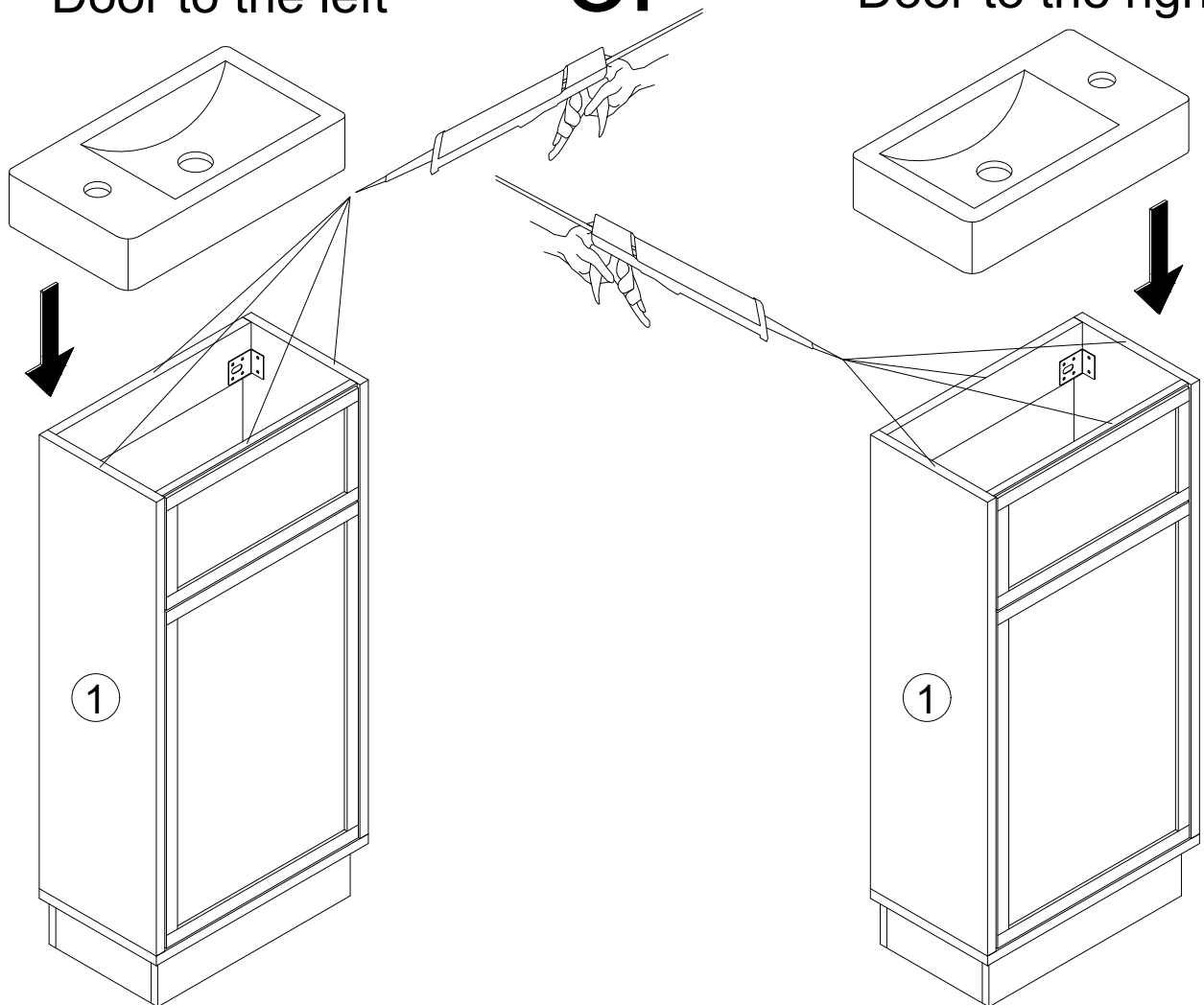


Step 20

Door to the left

or

Door to the right



Step 21

