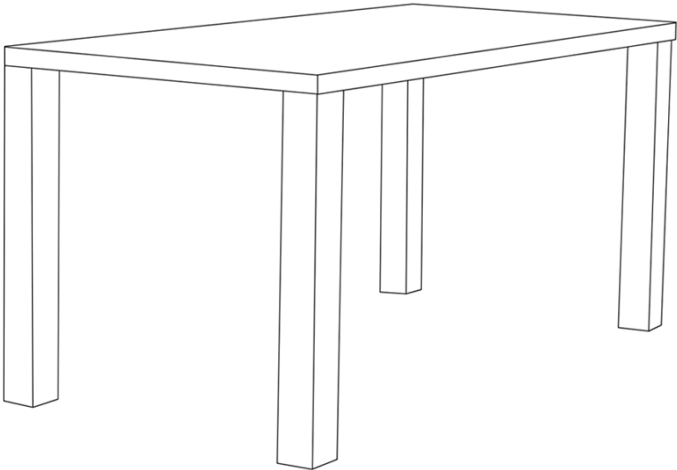


ASSEMBLY GUIDE



Important - Please read these instructions fully before starting assembly



SAFETY AND CARE ADVICE



NO POWER TOOLS

SAFETY AND CARE ADVICE

- Check you have all the components and tools listed.
- Remove all fittings from the plastic bags and separate them into their groups.
- We do not recommend the use of power drills/drivers for inserting screws, as this could damage the unit. Only use hand screwdrivers and Allen keys.
- Keep children and animals away from the work area, small parts could cause choking if swallowed.
- Make sure you have enough space to layout the parts before starting.
- Assemble the item as close to its final position (in the same room) as possible.
- Do not overtighten the nuts to avoid causing damage to the threads.
- Only clean using a damp cloth and mild detergent, do not use bleach or abrasive cleaners.
- From time to time check that there are no loose screws on this unit
- This product should not be discarded with household waste. Take to your local authority waste disposal centre

IMPORTANT INFORMATION



45 MINUTE
BUILD



MAXIMUM
CAPACITY 100Kg



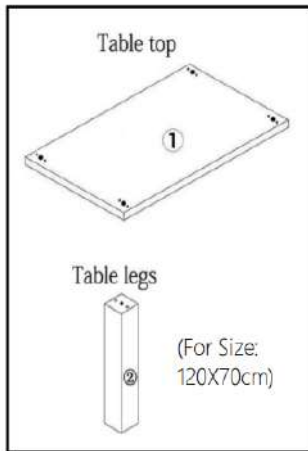
TWO
PERSON



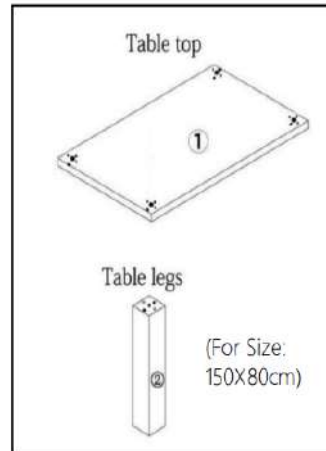
IMPORTANT
STEP







PLEASE CHECK CAREFULLY AND MAKE SURE YOU HAVE ALL FITTINGS AND TOOLS LISTED BELOW BEFORE YOU START.

①x1



②x4



<p>(A)</p>  <p>M8x725mm Threaded Rod X4</p>	<p>(B)</p>  <p>X16(For 150X80cm) X8 (For 120X70cm)</p> <p>M8x30mm Wooden Dowel</p>	<p>(C)</p>  <p>M8x22mm Metal Washer X4</p>
<p>(D)</p>  <p>M8mm Nut X4</p>	<p>(E)</p>  <p>M14mm Box Spanner X1</p>	<p>(F)</p>  <p>φ30PVC Stickers X4</p>

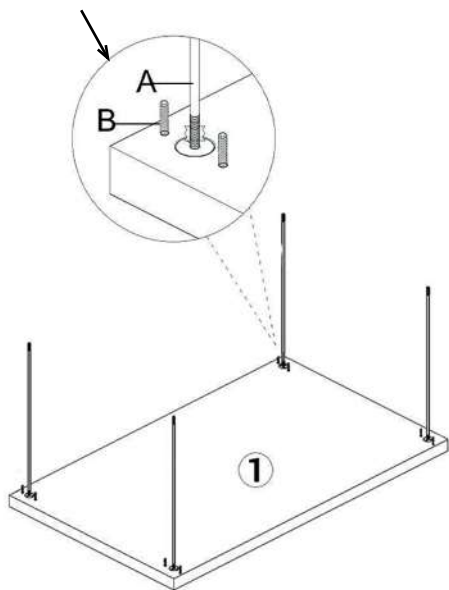
NOTE: The quantities above are the correct amount to complete the assembly. In some cases more fittings may be supplied than are required.

STEP 1

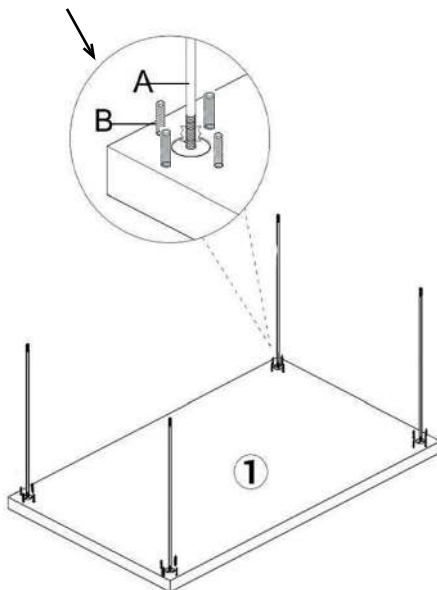
ATTENTION: Put the pieces on a soft flat surface e.g. a carpet to avoid scratching or bumping. Make sure that you have all pieces and components ready to build the table. Firstly insert threaded rods (A) and wooden dowel (B) into the assemble holes of the table top (part 1).

ATTENTION: Be careful not to over-screw beyond the thread stops.

For size
120X70cm

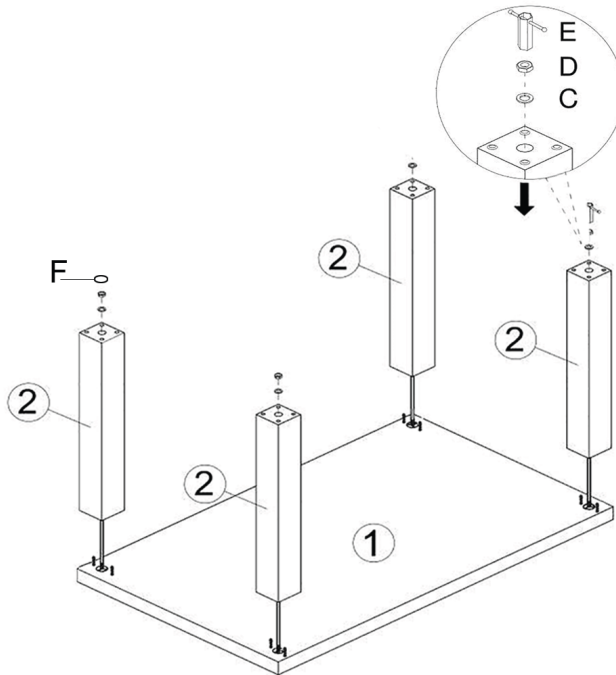


For size
150X80cm



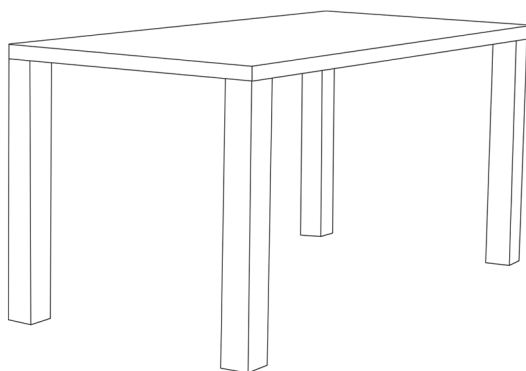
STEP 2

Place the table legs (part 2) over the threaded rods as shown, use Fixing (C), (D), and Box Spanner (E) to tighten. Then put the Sticker (F).



STEP 3

ATTENTION: With help,
turn the table around to
complete assembly





OUR 2 YEAR* GUARANTEE

our products come with a 2 year guarantee
to give you peace of mind shopping

*excludes some garden furniture items
which have a 1 year guarantee



WHAT THE GUARANTEE COVERS



PRE-INSERTED FIXINGS
e.g. lose metal threads



FAULTY JOINTS
e.g. legs bending



EXTERNAL FIXING FAULTS
e.g. bonding/glue



STRUCTURAL INTEGRITY
e.g. the frame of the
product