












Assembly Instructions

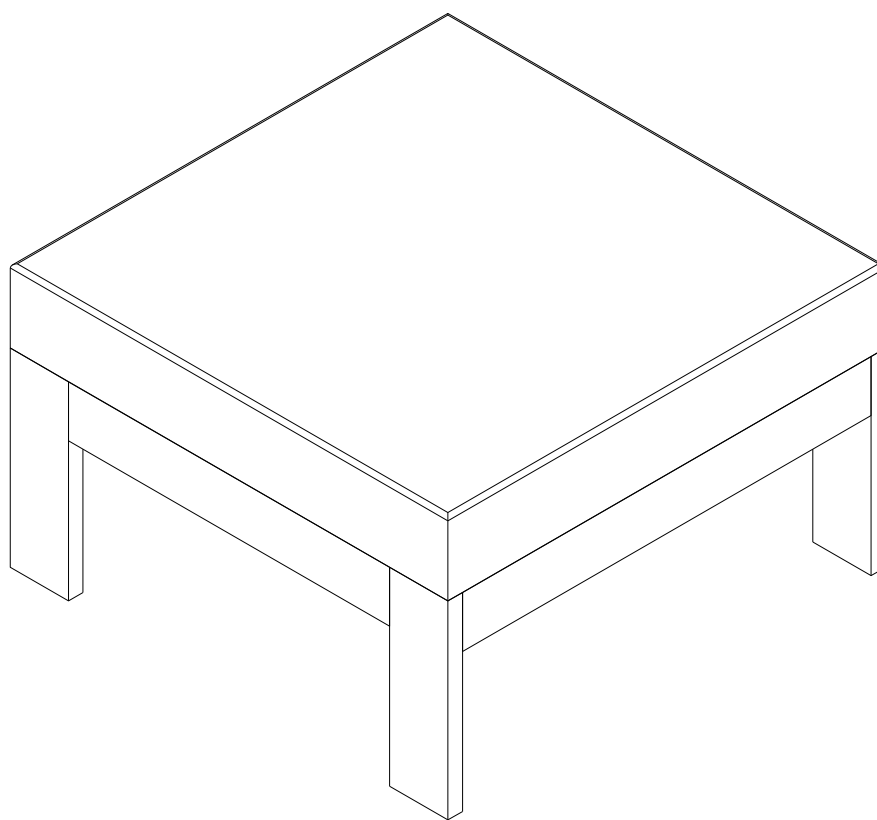
Caution : You must read this before you proceed

Care & Maintenance

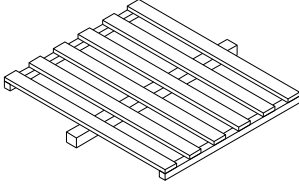
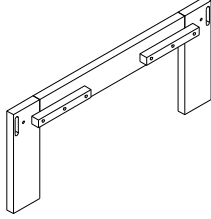
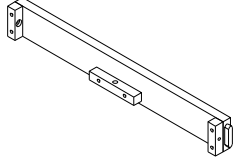
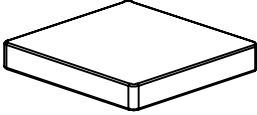
- ⊘  ● Not for commercial use. For residential use only.
- ⊘  ● Prolonged exposure to rain may cause rusting which can stain floors.
- ⊘  ● Do not put hot items directly on furniture surface.
- ⊘  ● Do not clean furniture with harsh cleansers or polish.
- ✓  ● To obtain the longest lifespan of your outdoor products, minimizing exposure to direct sunlight is recommended.
- ⊘  ● Children should not climb or jump on the furniture.
- ⊘  ● Do not write on furniture without a padded barrier to protect the surface.
- ✓  ● To obtain the longest lifespan of your outdoor products, avoid extended and lengthy exposure to rain, snow, and direct sunshine. Whenever possible cover the product and /or place under patio or awnings.
- ⊘  ● Stains may be removed with mild soap solution and damp cloth.
- ✓  ● Keep away from sources of ignition.
- ✓  ● Dust and pick-up spills using a clean, non-colored, lint-free cloth.

Please look into the Seat Panel for hardware packs




STOOL



Parts List

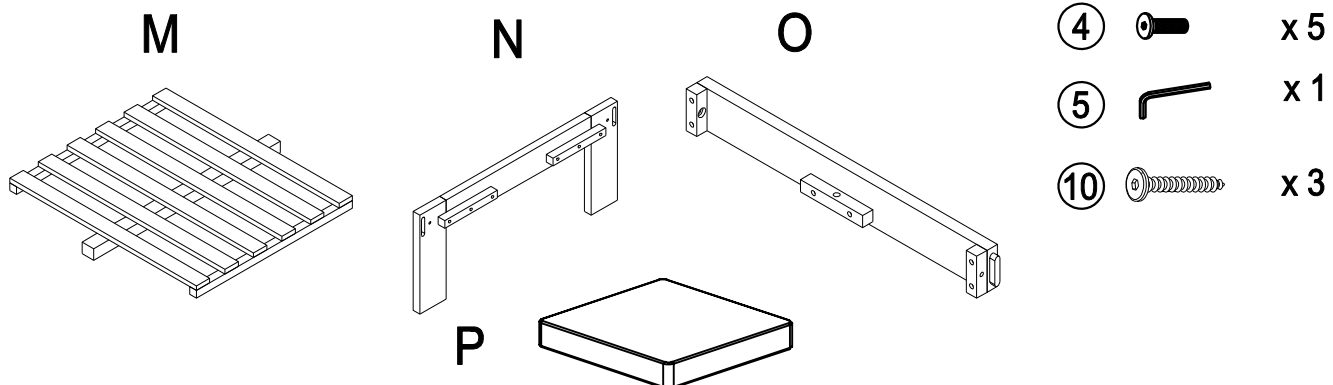
Label	Picture	Description	QTY
M		Stool Seat Panel	1
N		Stool Leg Panel	2
O		Stool Bracing	2
P		Seat Cushion	1

Parts List

Label	Picture	Description	QTY
④		Bolts (M6x30)	5
⑤		Allen Wrench (M4)	1
⑩		Screw (M6x35)	3

Assembly Preparation

Before Beginning Assembly





- Read instructions, cover to cover.



- Have 2 adults on hand for assembly.



- Do not assemble on flooring or carpet.



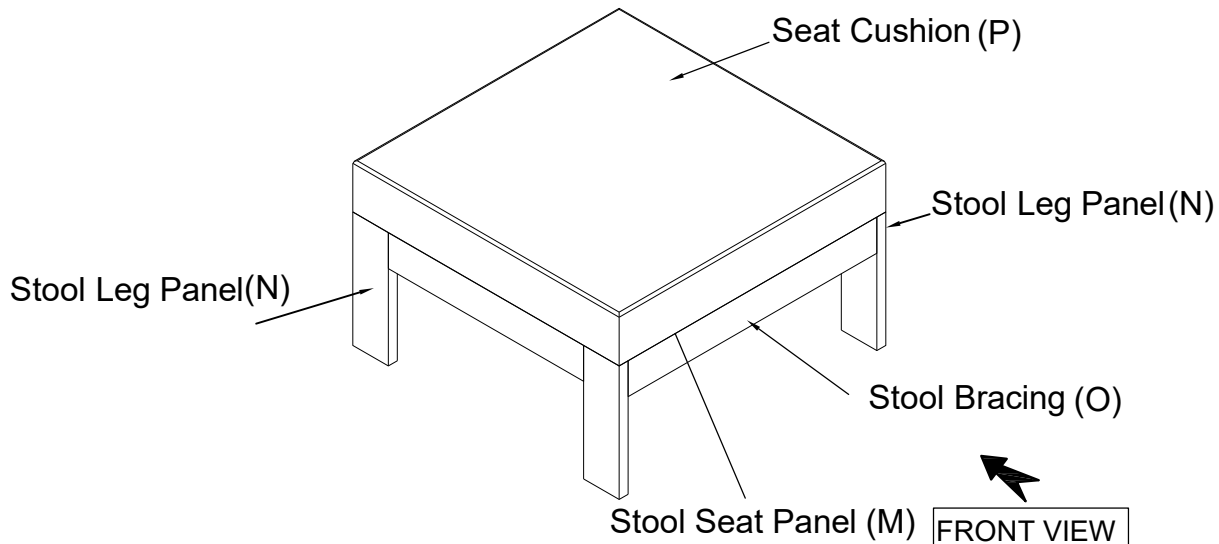
- Assemble on a clean non-marring surface (packing foam).



- Save all packaging until finished.

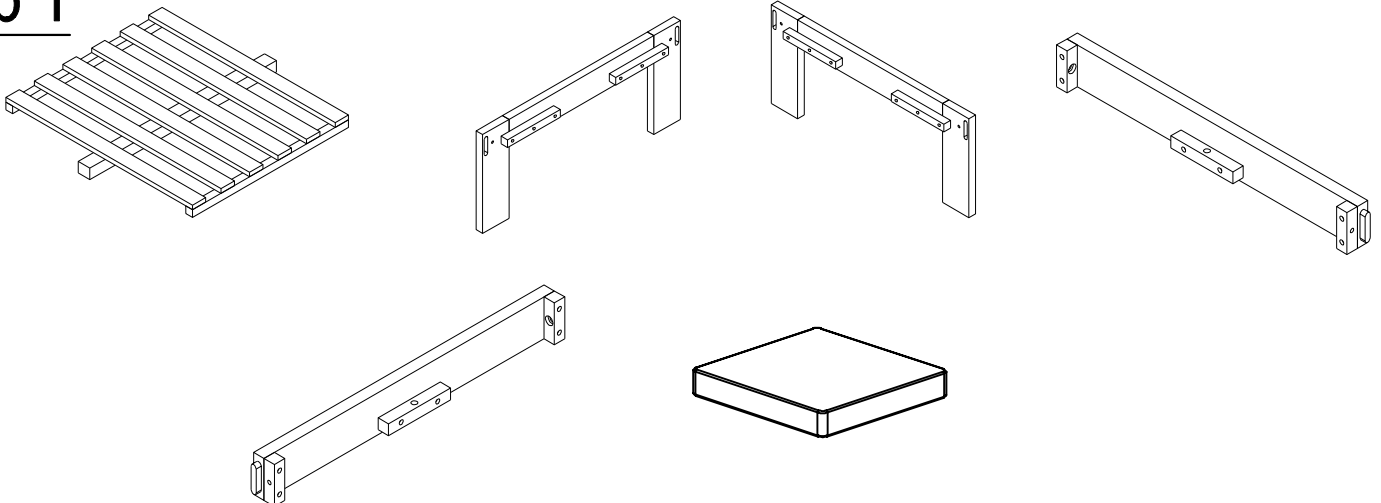
Assembly Preparation

Overview

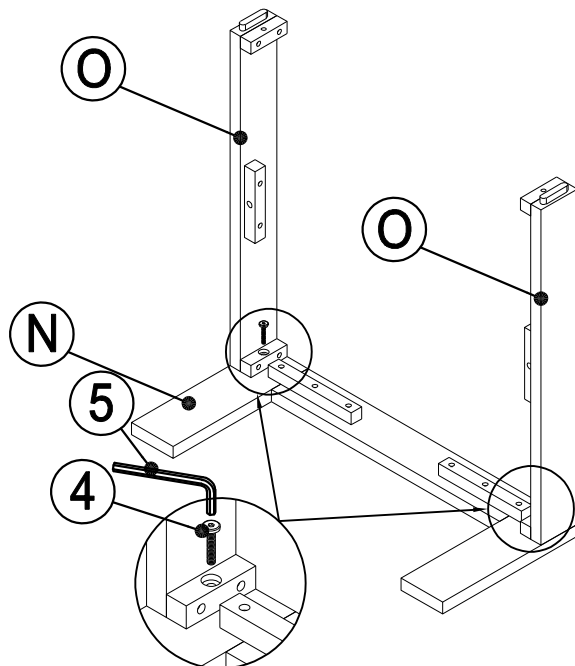


This Stool has multiple parts and may require up to some 30 minutes to assemble. To give you an overview of the Stool, the above picture is to help you put the various parts into perspective. Please read through the instructions here below to familiarise the parts and steps before assembly.

Step 1

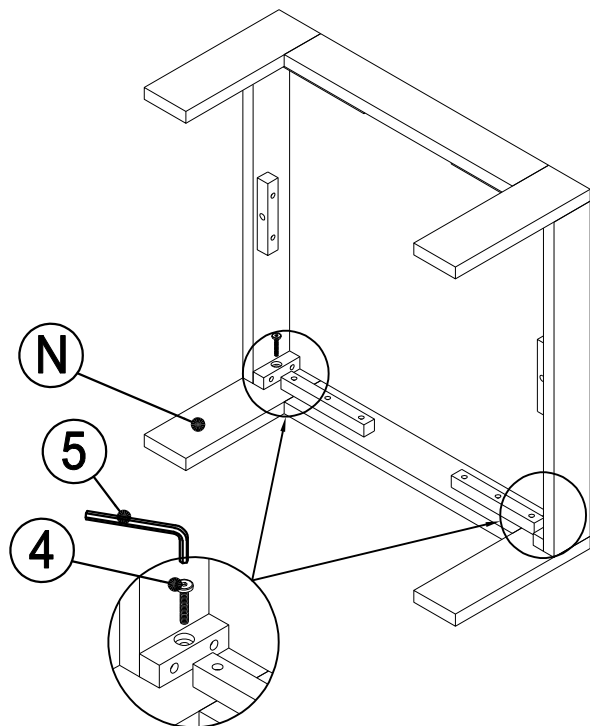


Step 2



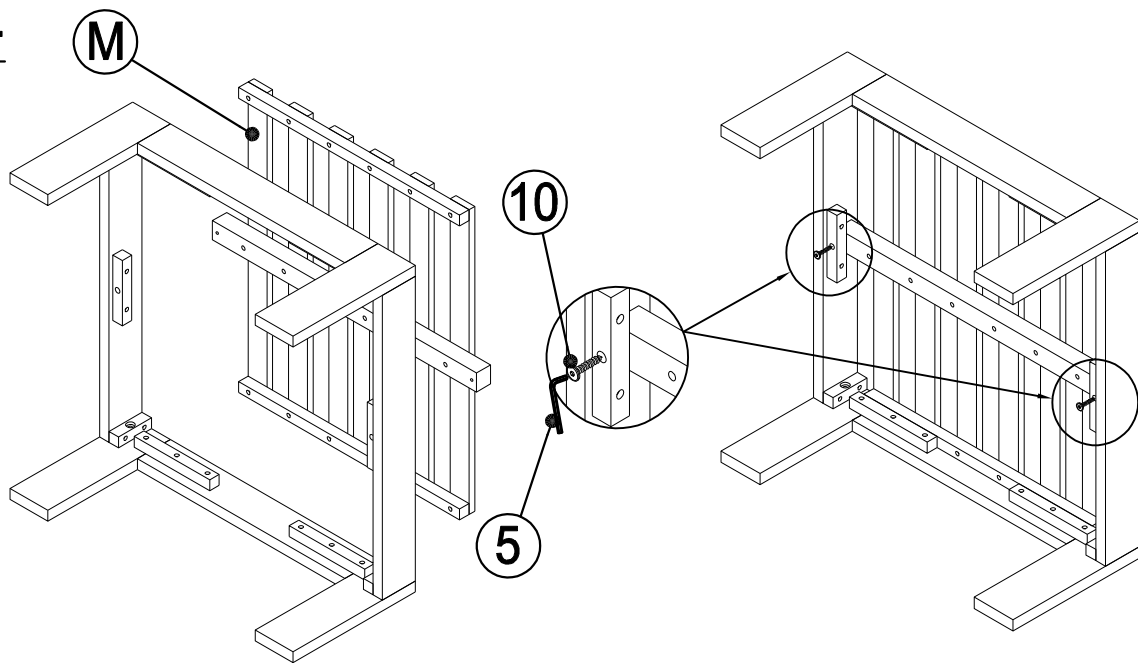
With assistance from your adult partner, attach the Stool Bracing (O) to Stool Leg Panel (N) by using Bolts (4) with Allen Wrench (5).
Do not fully tighten the Bolts.

Step 3



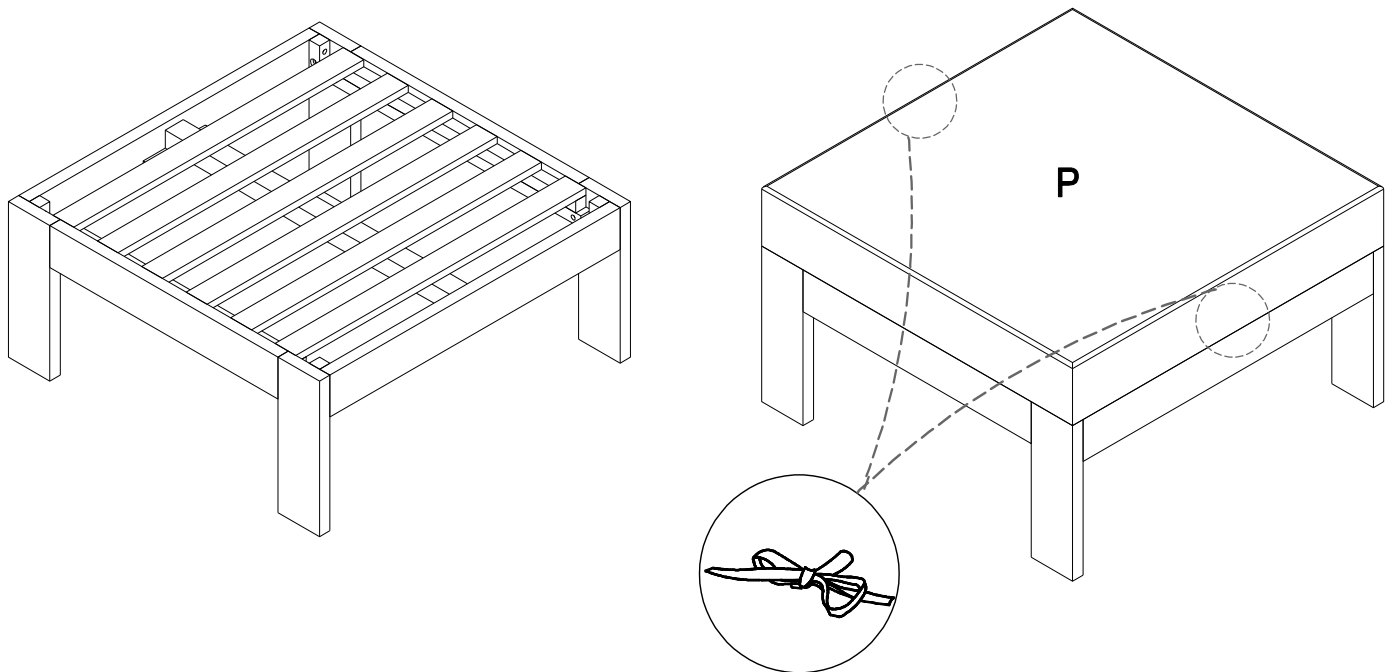
Attach Stool Bracing (O) to Stool Leg Panel (N) by using Bolts (4) with Allen Wrench (5).
Do not fully tighten the Bolts.

Step 4



Attach Stool Seat Panel (M) together with Stool Leg Panel (N) and Stool Bracing (O)
Lock in the mounting position, using Screws (10) and Allen Wrench (5).
Do not fully tighten the Screws.

Step 5



Next, install the Seat Cushion (P)
Tie the magic tape straps of Seat Cushion (P). Your Chair is ready for use.
This chair can only be used on flat, level surface.