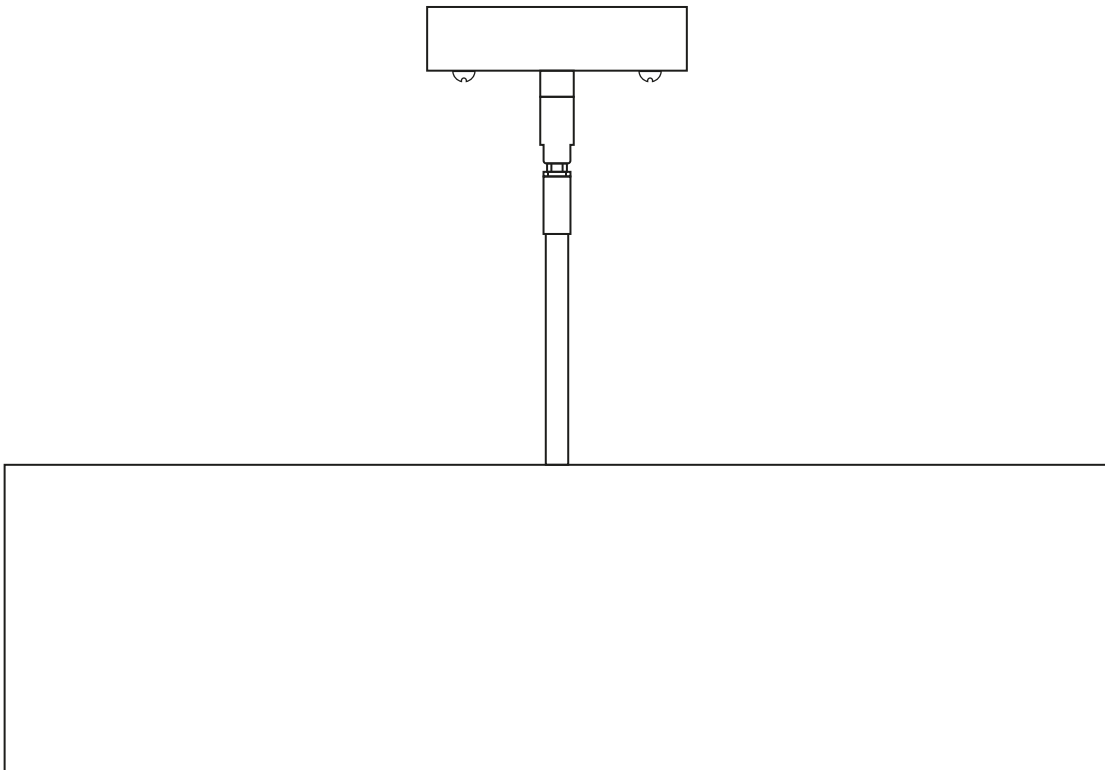


DOUBLE DRUM CEILING LIGHT

ASSEMBLY INSTRUCTIONS

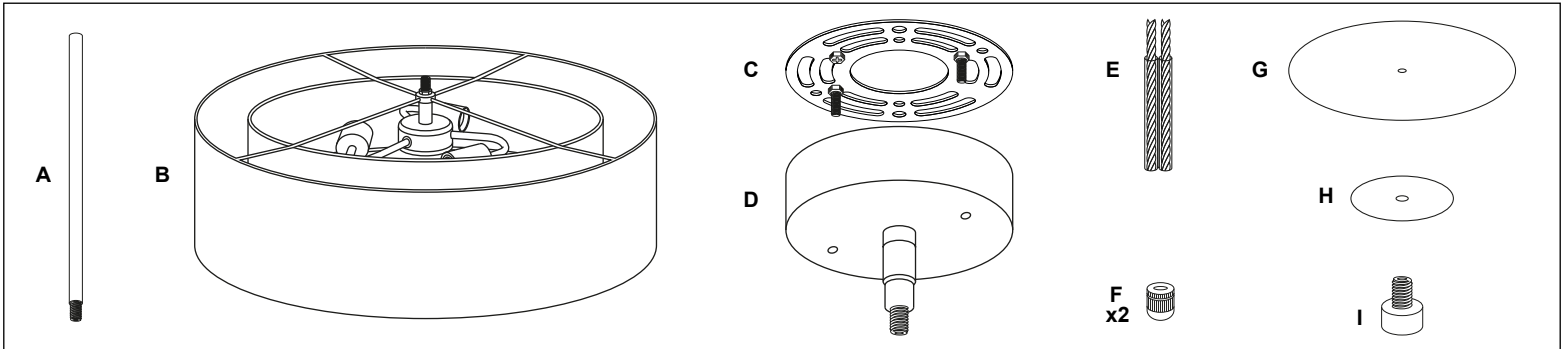
REMOVE ALL PARTS FROM PACKAGE, BE CAREFUL NOT
TO DAMAGE ANY COMPONENTS.



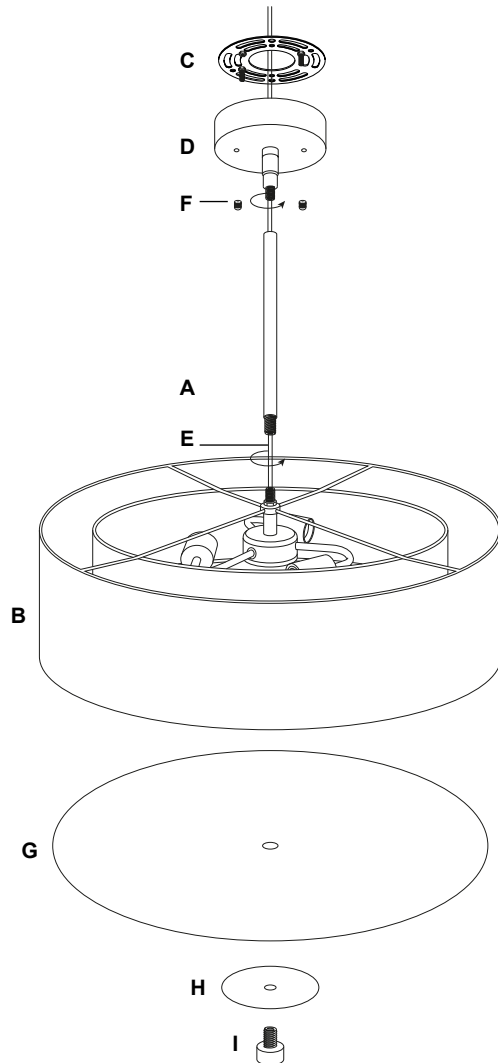
PROFESSIONAL INSTALLATION RECOMMENDED

DOUBLE DRUM CEILING LIGHT

REMOVE ALL PARTS FROM PACKAGE, BE CAREFUL NOT TO DAMAGE ANY COMPONENTS.



1. Measure area and determine desired hanging height.
2. Product comes with one (1) 6" hard stem [A] for semi-flush hanging height. Product may also be flush-mounted without stem.
3. Thread wire (E) from fixture thread [B] through stem [A].
4. Detach mounting plate [C] from canopy [D]. Thread wire [E] through canopy.
5. Flip over fixture so the three diffuser tabs are showing. Place diffuser circle [G] on top of tabs so holes align. Place decorative washer [H] over hole. Insert finishing screw [I] and tighten by hand.
6. Install bulbs 60W max (not included).
7. Mounting plate [C] will attach to ceiling junction box.
8. Install light to ceiling. We recommend installation by a qualified electrical professional. Canopy nuts [F] are used to tighten light to ceiling. Remove plastic wrapping from fabric shade before turning on light.



Note: Turn off switch before replacing the bulb. Make sure the bulb has sufficient time to cool down. Do not subject the lamp to any shock while lit as shattering of glass shade may result.