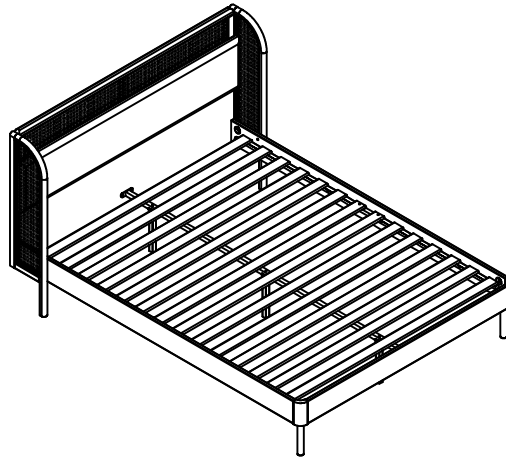
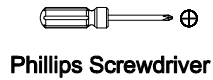


## ASSEMBLY INSTRUCTIONS

### Rattan Queen Bed

Tools Required  
(Not Provided)



#### SAFETY PRECAUTION

1. KEEP ALL HARDWARE PARTS OUT OF REACH OF CHILDREN.
2. DISPOSE PLASTIC PACKAGING MATERIAL IMMEDIATELY TO AVOID ANY RISK OF SUFFOCATION TO CHILDREN AND ANIMALS.

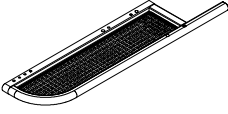
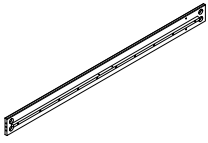
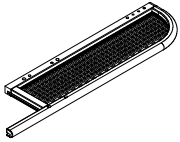
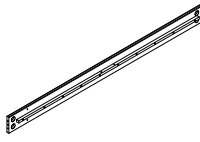
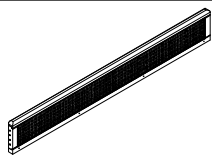
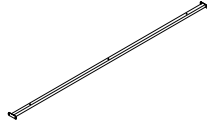
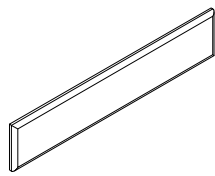

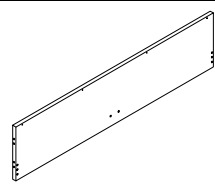
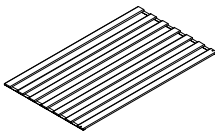

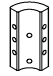
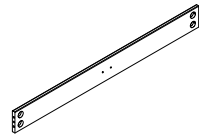
#### TIPS FOR ASSEMBLY

1. Allow ample room for assembly and assemble the product near where product will be placed.
2. Assemble the product on a surface that does not scratch or damage the exterior gloss and finish of the furniture.
3. Identify all of the parts, hardware and quantities required for each step.
4. During assembly, do not over-tighten any fittings as this may cause damage.
5. DO NOT USE POWER TOOLS TO ASSEMBLE THIS PRODUCT.
6. Always place the product on a flat, level surface.
7. Do not sit or stand on the partially assembled product; only use the product for which it is intended.

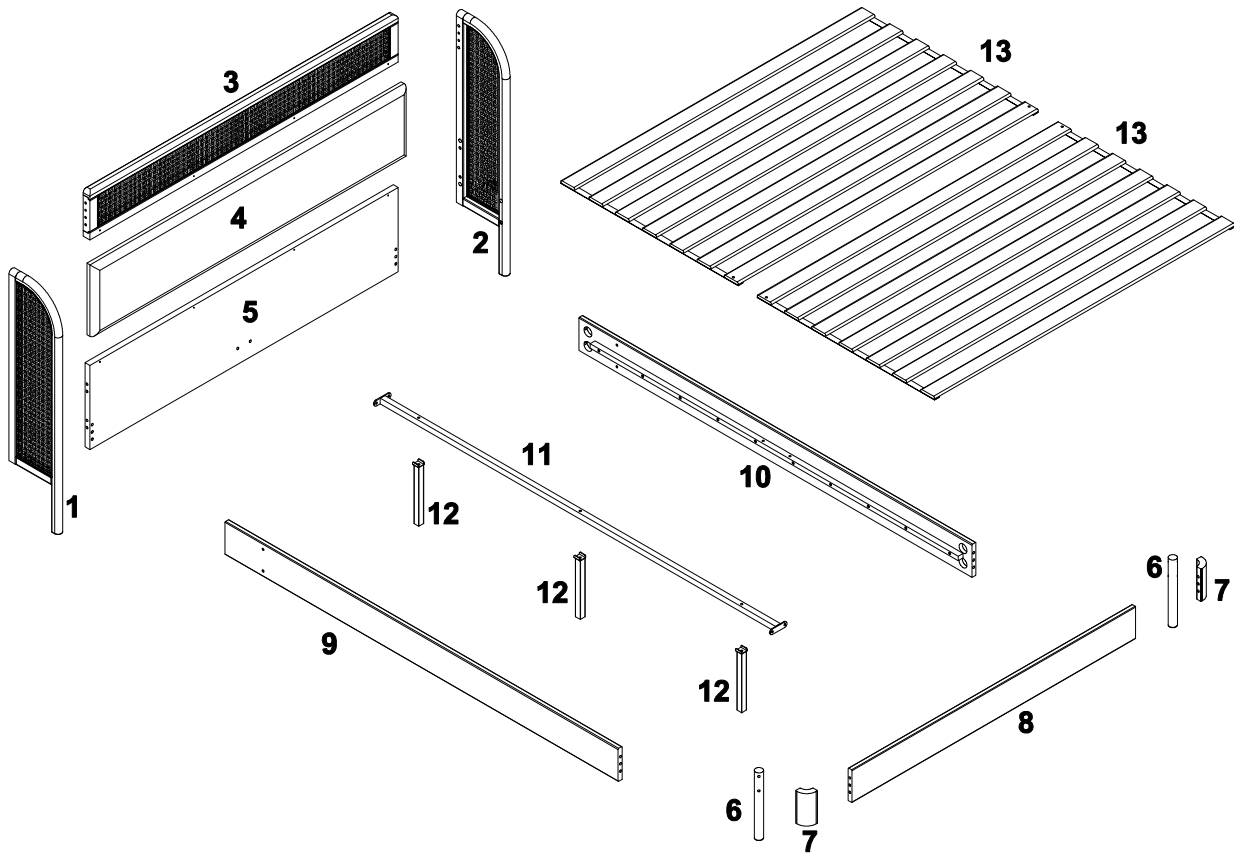
#### CARE AND MAINTENANCE

- Use a slightly damp cloth to clean the product. Do not use bleach or abrasive cleaning material.
- Check all the fittings periodically and re-tighten as necessary. Do not use the product if any of the parts is damaged or broken.
- Never allow any kind of liquid to remain on your furniture. Absorption can cause wood to warp or delaminate.
- Do not place hot items (e.g. hot drinks) directly onto the wood surface.
- Do not drag and/or pull the furniture.





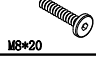

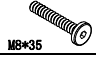

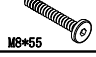
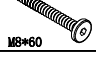



# Parts List

ITEM	DESCRIPTION	PART	QTY	ITEM	DESCRIPTION	PART	QTY
<b>1</b>	<b>Left Frame</b>		<b>1pc</b>	<b>9</b>	<b>Left Bed Frame</b>		<b>1pc</b>
<b>2</b>	<b>Right Frame</b>		<b>1pc</b>	<b>10</b>	<b>Right Bed Frame</b>		<b>1pc</b>
<b>3</b>	<b>Top Frame</b>		<b>1pc</b>	<b>11</b>	<b>Metal Center Support</b>		<b>1pc</b>
<b>4</b>	<b>Upholstered Part</b>		<b>1pc</b>	<b>12</b>	<b>Metal Leg</b>		<b>3pcs</b>
<b>5</b>	<b>Bottom Headboard</b>		<b>1pc</b>	<b>13</b>	<b>Slats</b>		<b>2pcs</b>
<b>6</b>	<b>Leg</b>		<b>2pcs</b>				
<b>7</b>	<b>Connector</b>		<b>2pcs</b>				
<b>8</b>	<b>Footboard</b>		<b>1pc</b>				

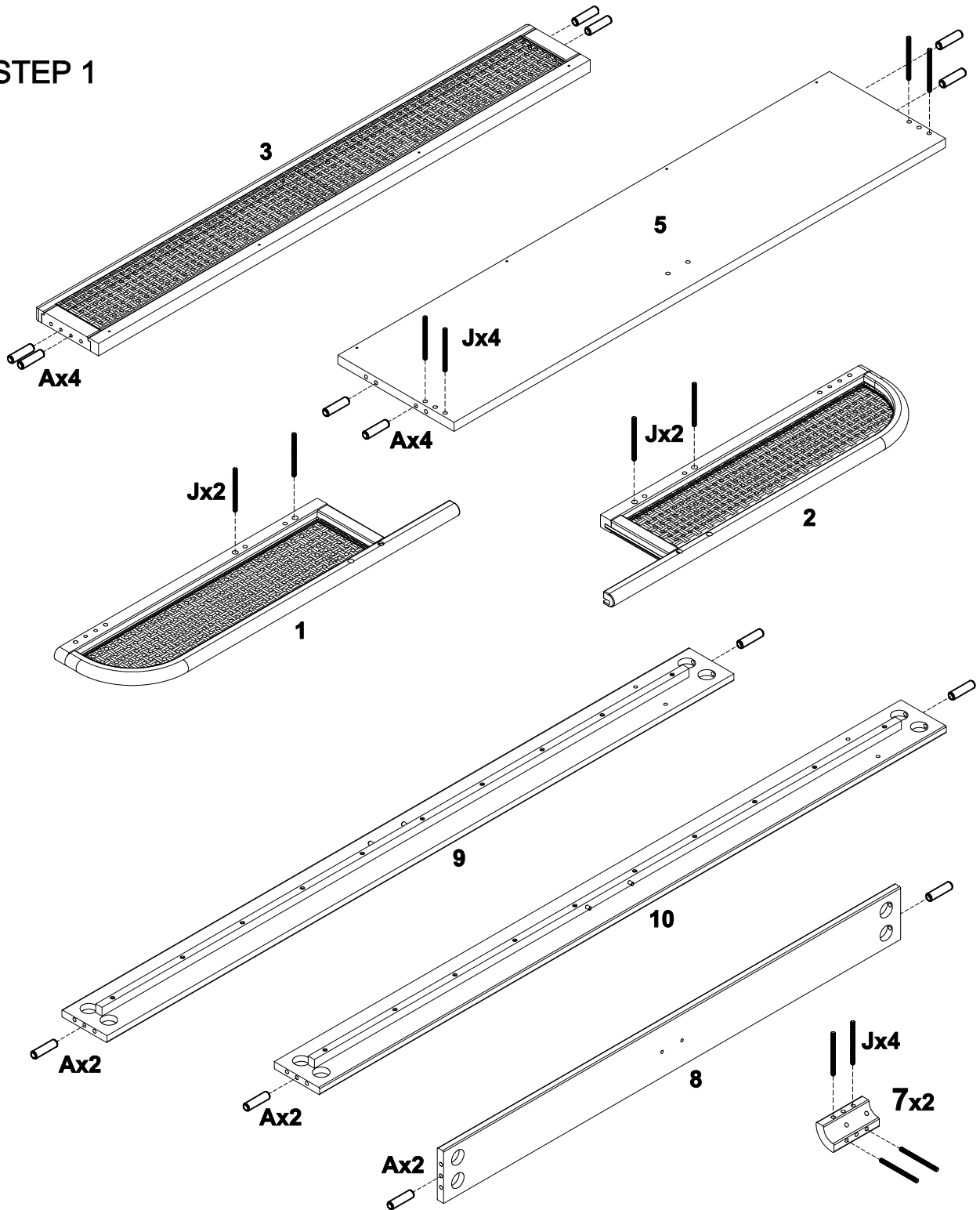
# Parts Assembly Overview



## Hardware List

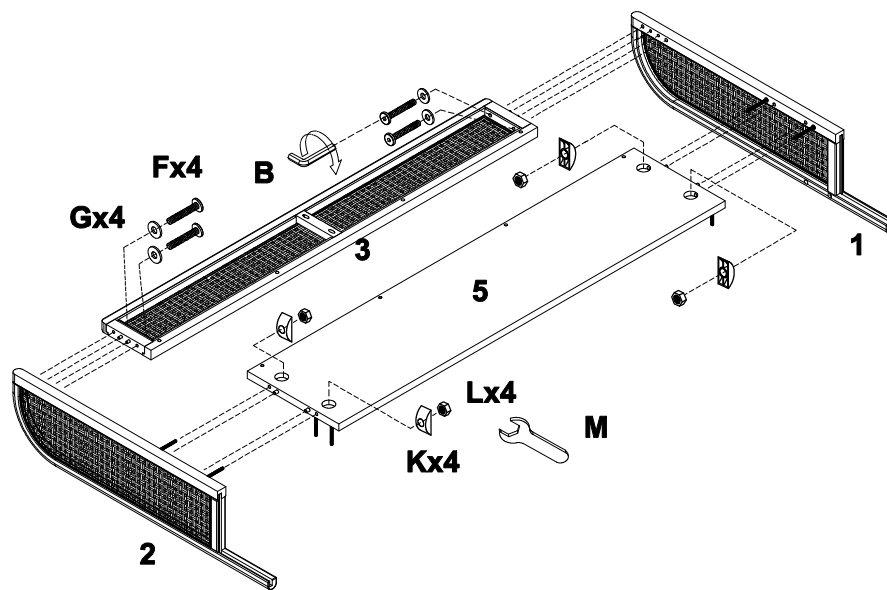
ITEM	DESCRIPTION	HARDWARE	QTY	ITEM	DESCRIPTION	HARDWARE	QTY
<b>A</b>	Wood Dowel	 10*40mm	14pcs	<b>J</b>	Locking Pin		16pcs
<b>B</b>	Allen Key		1pc	<b>K</b>	Locking Nut		16pcs
<b>C</b>	Screw	 M8*20	4pcs	<b>L</b>	Hex Nut		16pcs
<b>D</b>	Screw	 M8*35	7pcs	<b>M</b>	Wrench		1pc
<b>E</b>	Screw	 M8*55	4pcs				
<b>F</b>	Screw	 M8*60	4pcs				
<b>G</b>	Washer		19pcs				
<b>H</b>	Washer		4pcs				
<b>I</b>	Screw		8pcs				

# STEP 1



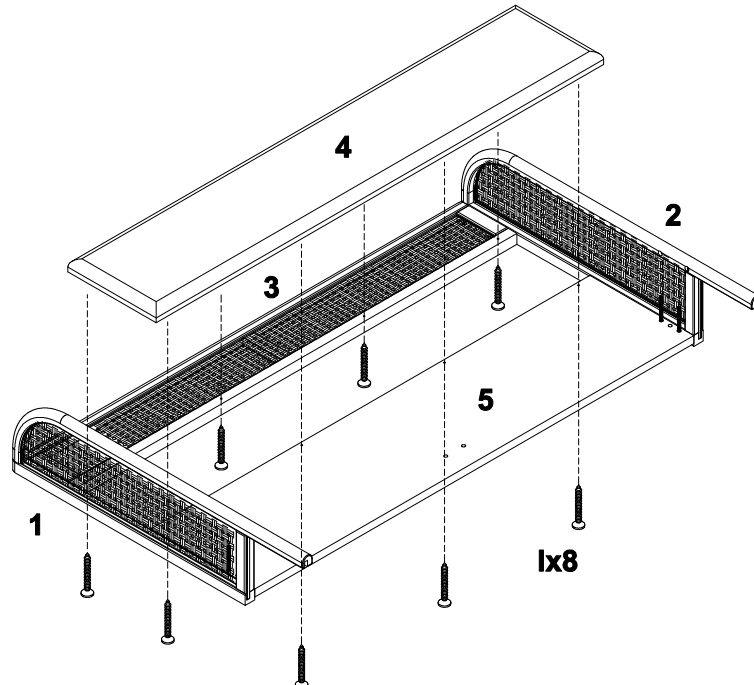
- Lay Left Frame (1), Right Frame (2) and Bottom Headboard (5) as shown and screw in Locking Pins (J) into the designated holes. Insert Wood Dowels (A) into the designated holes on (5).
- Insert Wood Dowels (A) into the designated holes on (3, 8, 9 & 10).
- Screw in Locking Pins (J) into the designated holes on (7).

## STEP 2



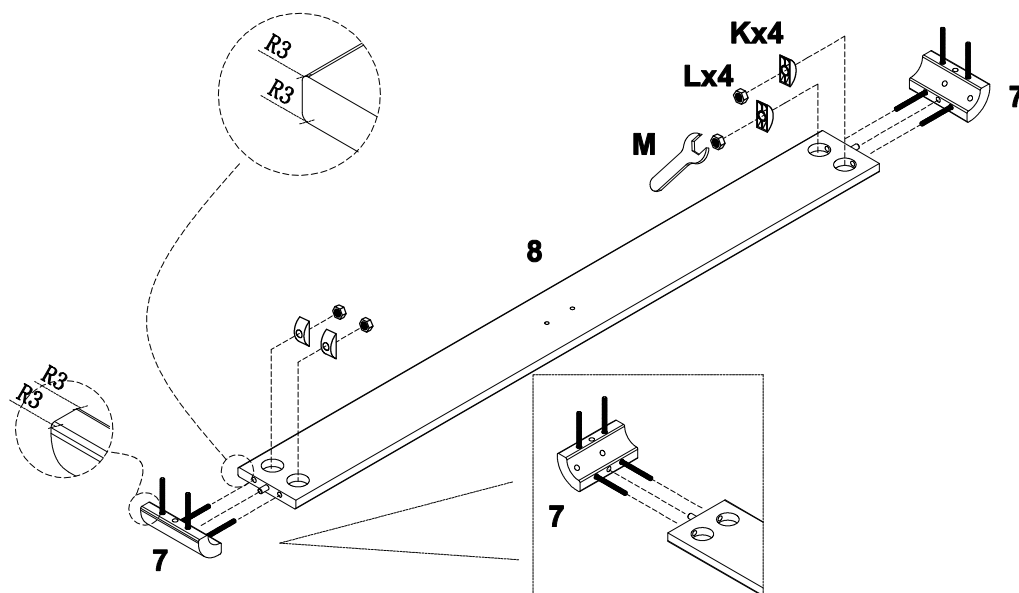
- Affix Top Frame (3) to Left Frame (1) & Right Frame (2) with Screws (F) fitted with Washers (G) by Allen Key (B).
- Insert Locking Nuts (K) into the designated holes on (5). Ensure that the bolt hole on (K) is aligned to the bolt hole on (5).
- Attach (5) to (1 & 2). Take care to insert Locking Pins (J) on (1 & 2) through Locking Nuts (K) on (5) and fasten with Hex Nuts (L). Use Wrench (M) to drive and tighten Hex Nuts (L) completely.

## STEP 3



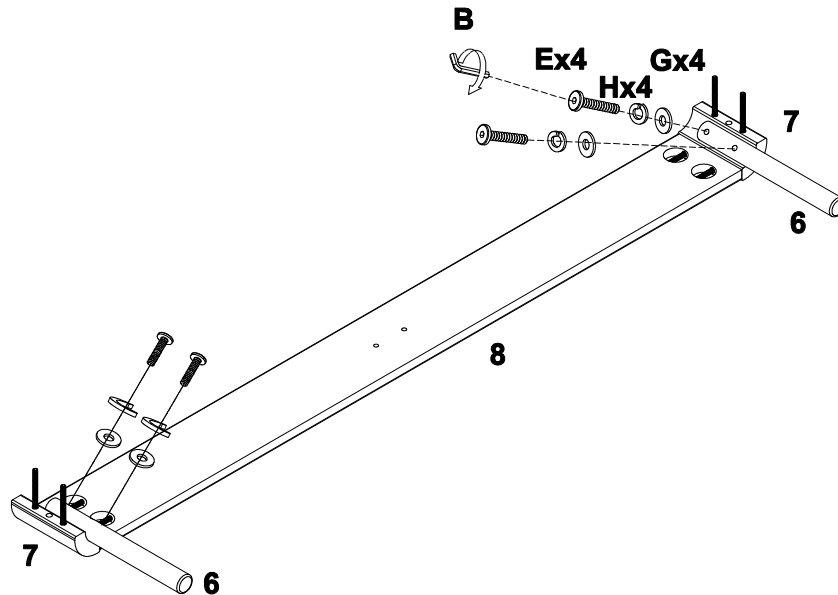
- Affix Upholstered Part (4) to (3 & 5) with Screws (I).

## STEP 4



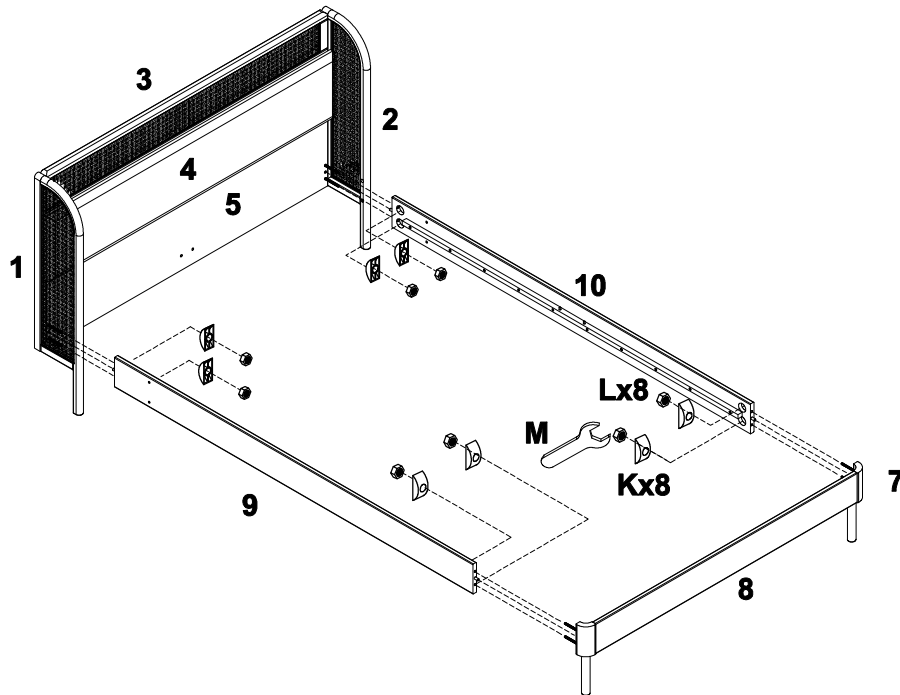
- Insert Locking Nuts (K) into the designated holes on (8). Ensure that the bolt hole on (K) is aligned to the bolt hole on (8).
- Attach (8) to (7). Take care to insert Locking Pins (J) on (7) through Locking Nuts (K) on (8) and fasten with Hex Nuts (L). Use Wrench (M) to drive and tighten Hex Nuts (L) completely.

## STEP 5



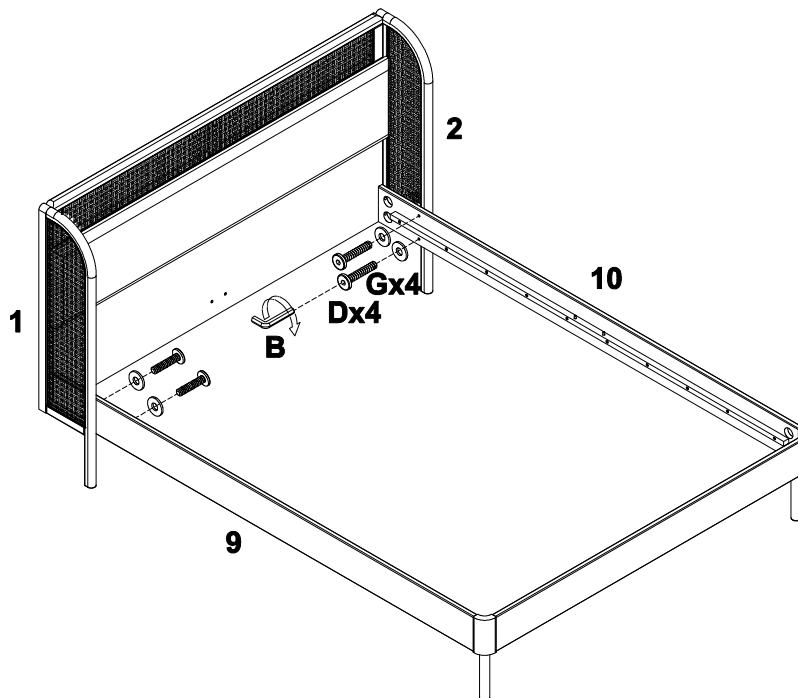
- Fasten Legs (6) to footboard frame as shown with Screws (E) fitted with Washers (H & G) by Allen Key (B).

## STEP 6



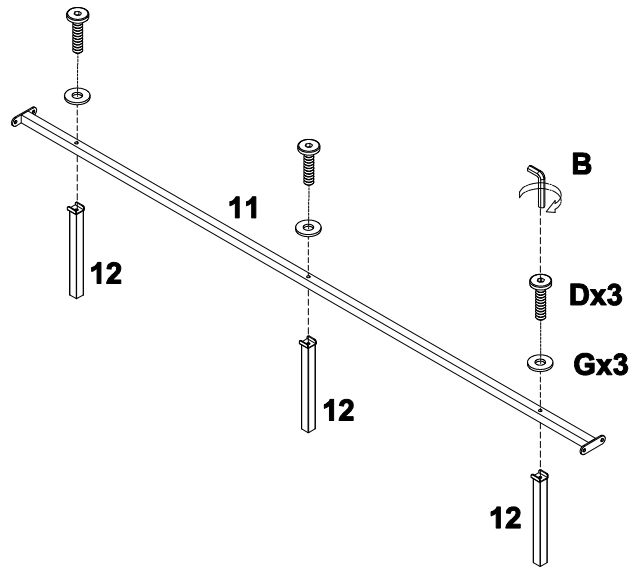
- Insert Locking Nuts (K) into the designated holes on (9 & 10). Ensure that the bolt hole on (K) is aligned to the bolt hole on (9 & 10).
- Attach (9 & 10) to (5 & 7). Take care to insert Locking Pins (J) on (5 & 7) through Locking Nuts (K) on (9 & 10) and fasten with Hex Nuts (L). Use Wrench (M) to drive and tighten Hex Nuts (L) completely.

## STEP 7



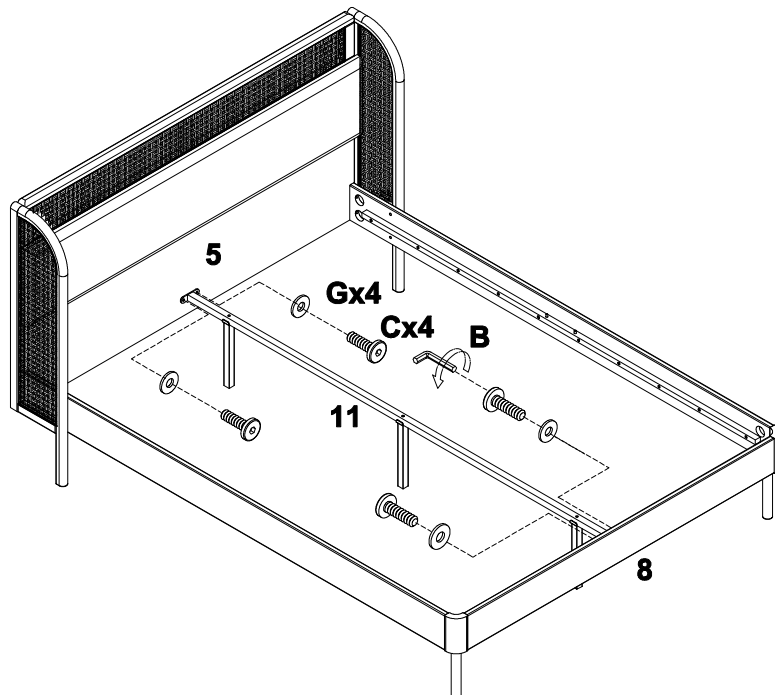
- Fix Left Bed Frame (9) to Left Frame (1) and Right Bed Frame (10) to Right Frame (2) with Screws (D) fitted with Washers (G) by Allen Key (B).

## STEP 8



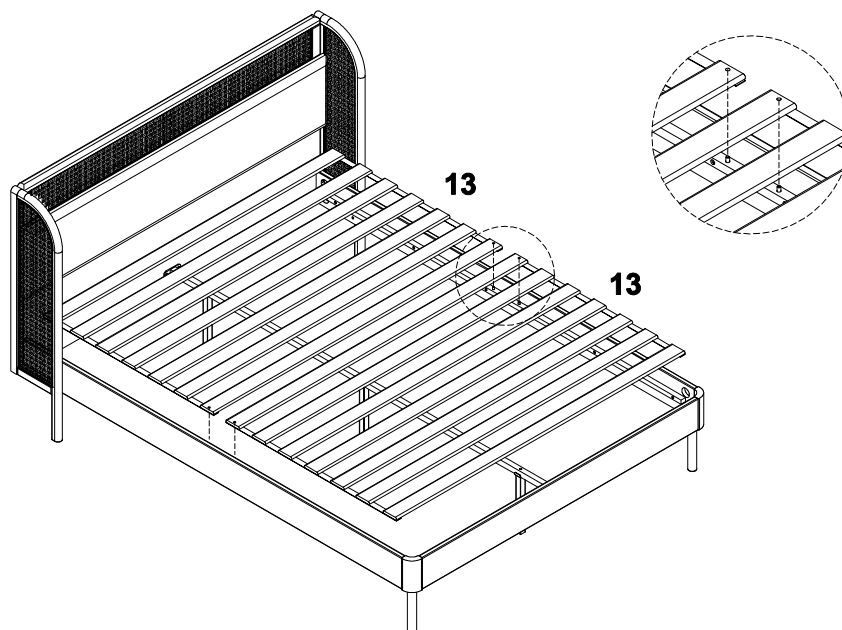
- a) Fasten Metal Leg (12) to Metal Center Support (11) with Screws (D) fitted with Washers (G). Use Allen Key (B) to drive and tighten (D) completely.

## STEP 9



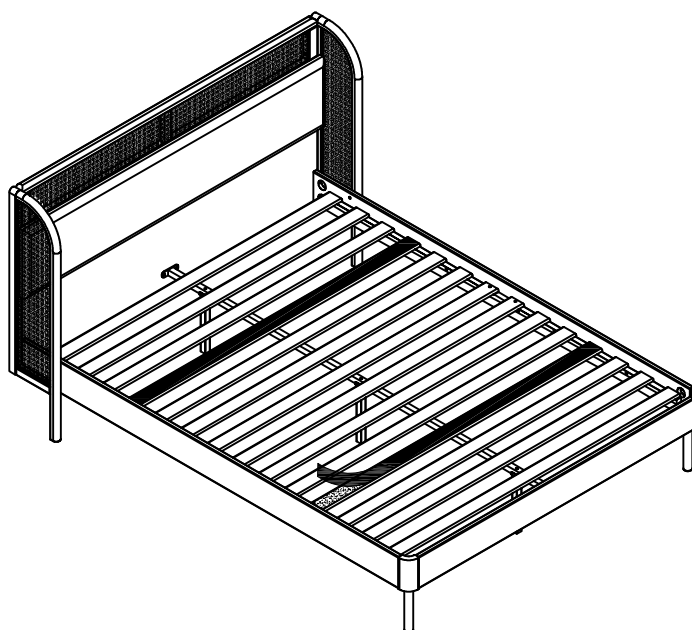
- a) Use Screws (C) fitted with Washers (G) to fasten Metal Center Support (11) to Bottom Headboard (5) and Footboard (8).  
b) Use Allen Key (B) to drive (C). Do not tighten (C) completely until all the screws are in place.

## STEP 10



e) Lay 2 sets of Slats (13) to rest on the slat support as shown. Check and ensure that the designated slat of each set is firmly fixed to the designated place.

## STEP 11



a) Remove the adhesive tape covering on the designated slat to expose the non-slip surface that serves to keep the mattress in place.

The assembly is complete.