

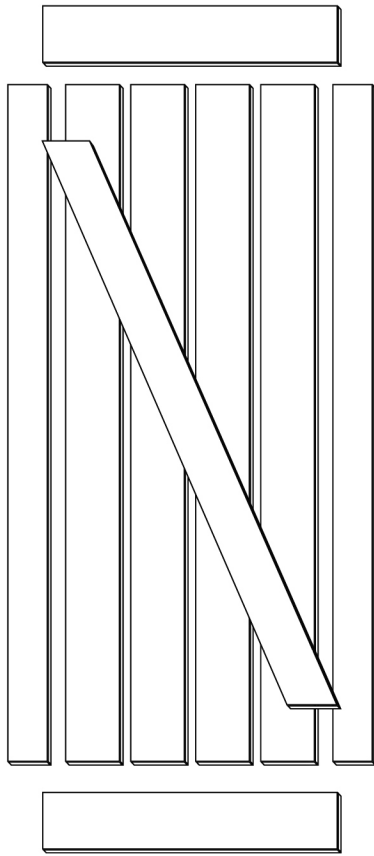
ISLiFe

Solid Wood Bi-Fold Barn Door Installation Guide

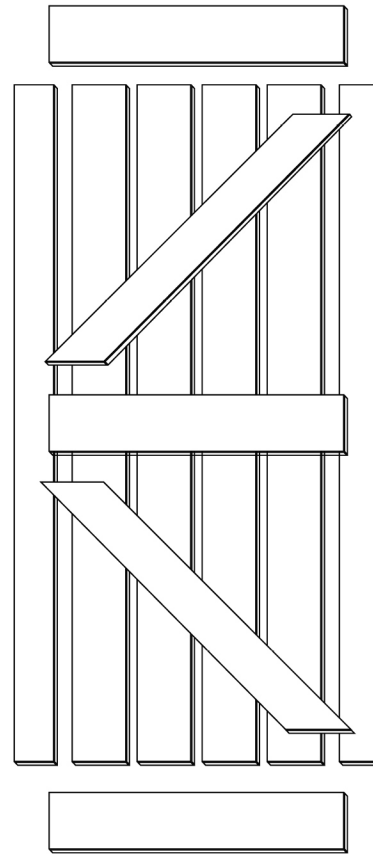
Contact us : info@islifeusa.com
Our Website : www.islifeusa.com

Solid Wood Bi-Fold Barn Door

Installation Guide



Z Series



K Series



Avoid direct sunlight
Avoid moisture
Avoid rain



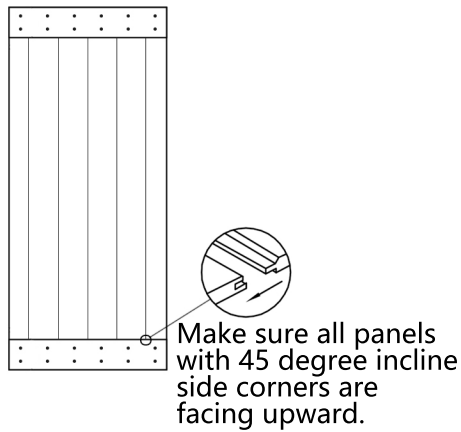
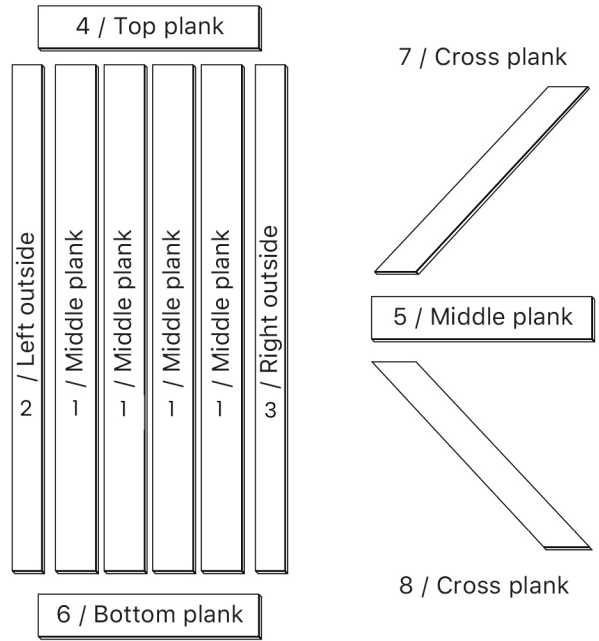
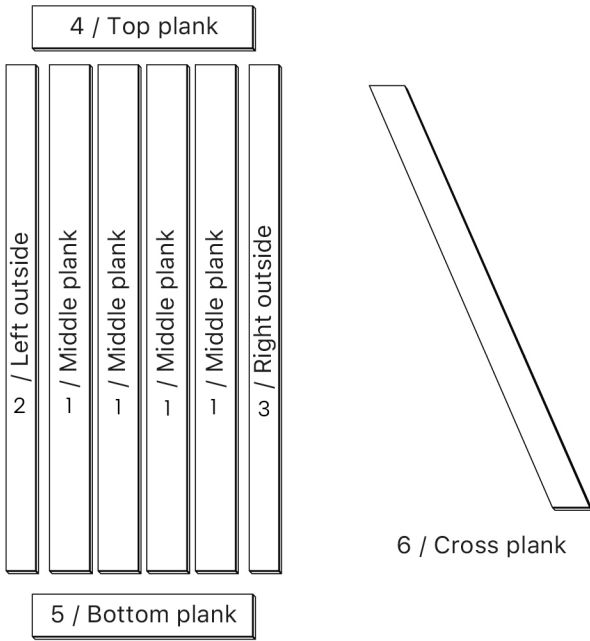
Tools Required



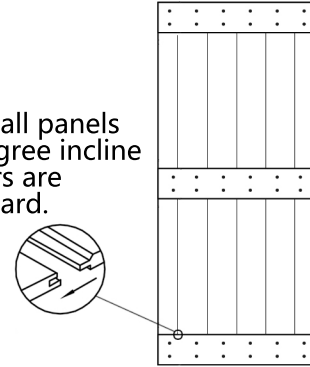
Two-person assembly recommended
Wear work gloves

Z Series

K Series



Make sure all panels with 45 degree incline side corners are facing upward.



Side view:

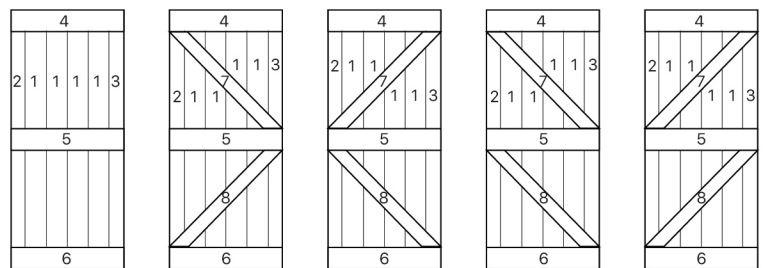
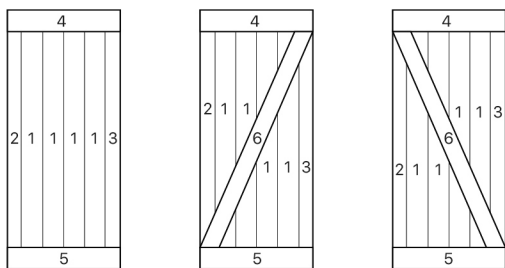


Side view:



Note: The quantity of (#1 middle board) will vary depending on the size of the product.

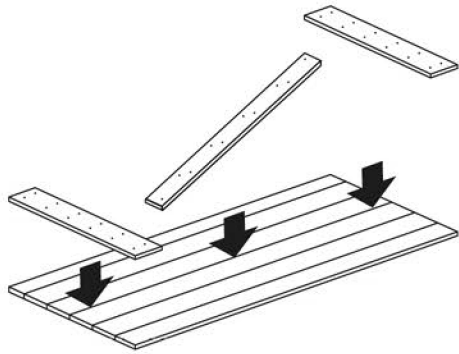
Note: The quantity of (#1 middle board) will vary depending on the size of the product.



The instruction Include multiple patterns, please decide on your desired pattern before proceeding.

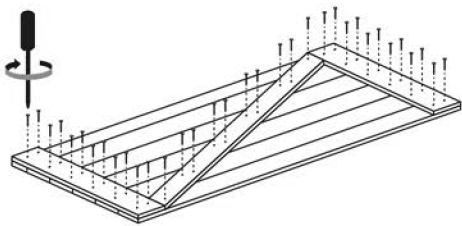
The instruction Include multiple patterns, please decide on your desired pattern before proceeding.

Z Series



Step 1: Combin panels 1, 2 and 3.

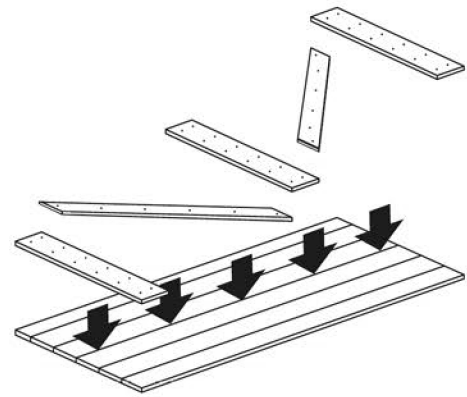
Step 2: Align panels 4, 5 and 6 with the pre-drilled holes.



Step 3: Tighten all screws until snug

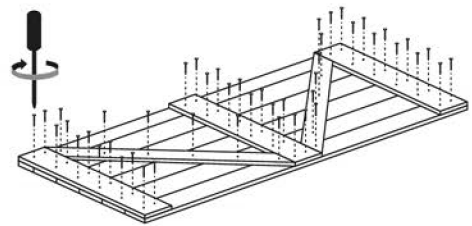
Note: The quantity of screw holes will vary depending on the size of the products.

K Series



Step 1: Combin panels 1, 2 and 3.

Step 2: Align panels 4, 5 and 6 with the pre-drilled holes



Step 3: Tighten all screws until snug

Note: The quantity of screw holes will vary depending on the size of the products.

For detailed steps on installing the sliding hardware kit, refer to the installation guide included in the package

Installation Tips:

1. To prevent cracking when driving screws into solid wood doors, it is recommended to first drill a pilot hole approximately 1/8 inch to 1/4 inch deep using a 7/64 inch drill bit before tightening the screws.
2. Single door (2 panels) hanging and positioning please follow to hardware instruction manual part 05 & 05B.
3. Double doors (4 panels) hanging and positioning please follow to hardware instruction anual part 06.