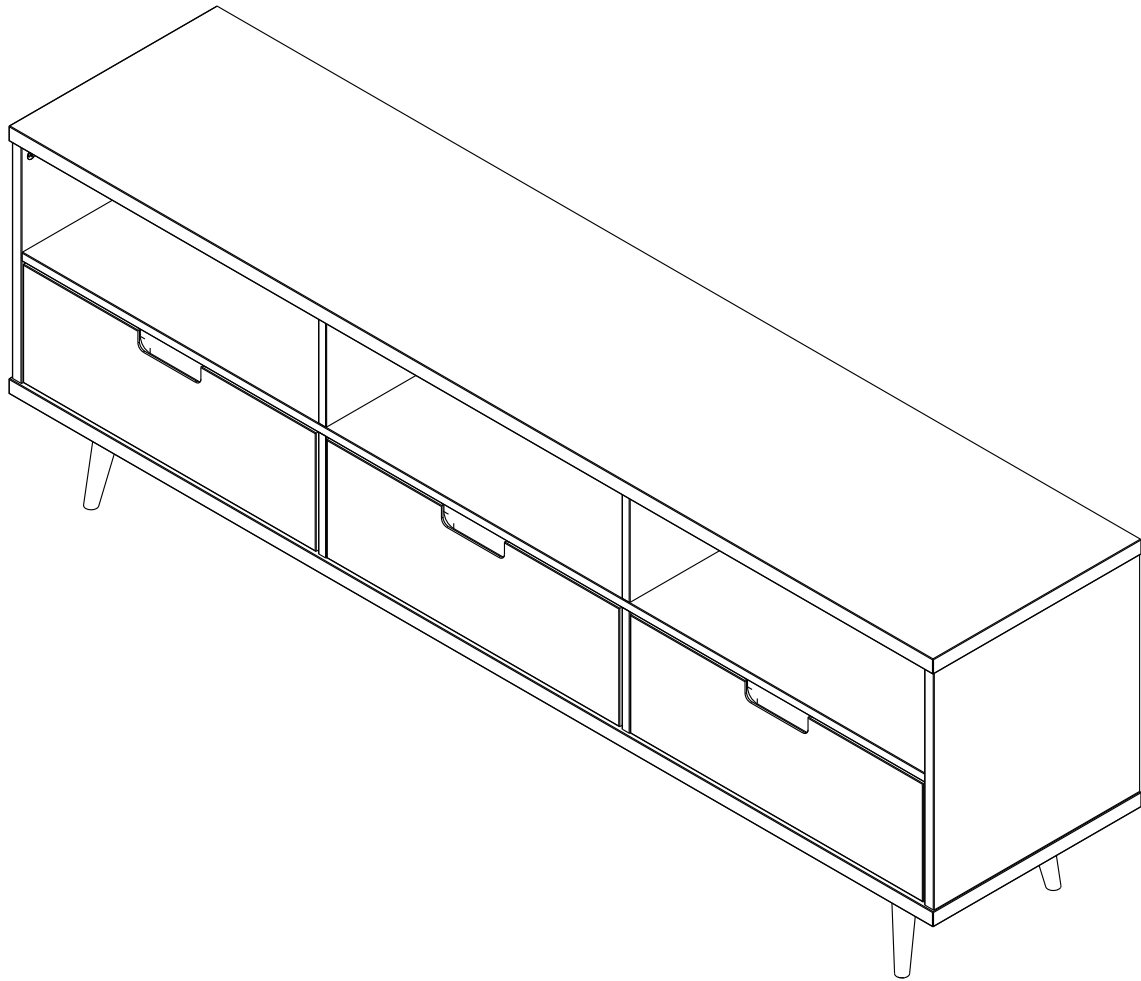


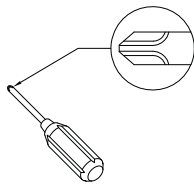
Assembly Instruction



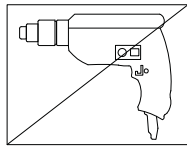
Revised 12/2020

General Assembly Guidelines

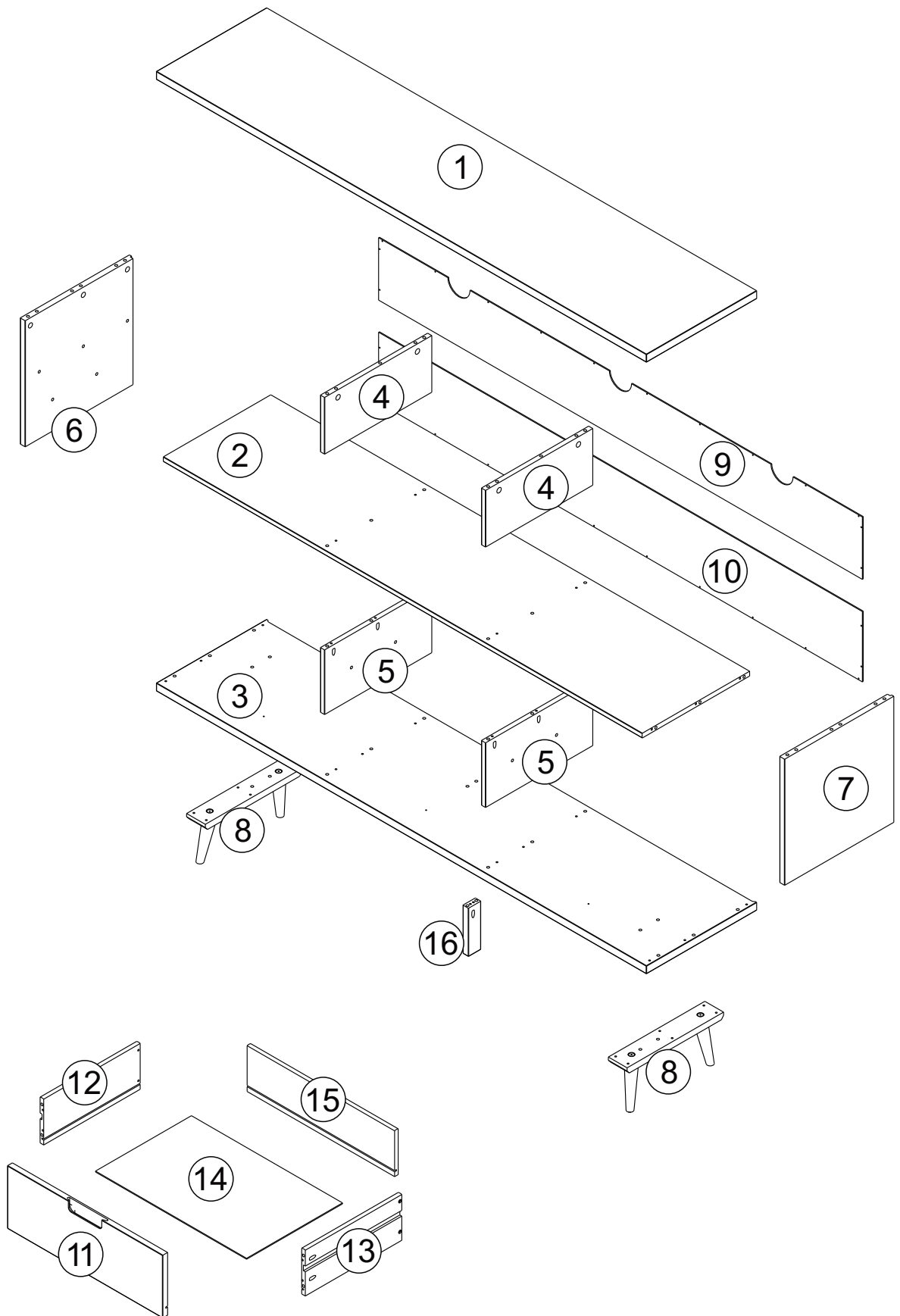
- I. Ensure that all parts and hardware are available before beginning assembly.
- II. Follow each step carefully to ensure the proper assembly of this product.
- III. Two people are recommended for ease in the assembly of this product.
- IV. The three main types of hardware used to assemble this product are : wood dowels , screws and bolts.
- V. A Phillips head screwdriver is required for the assembly of this product .



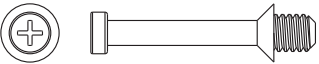
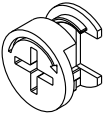
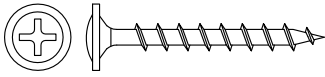

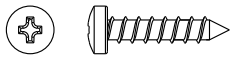
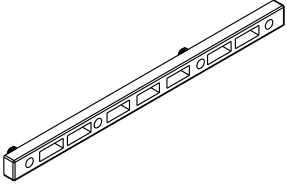
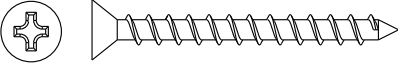

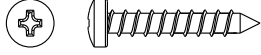
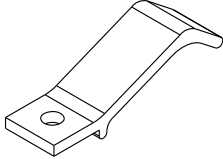
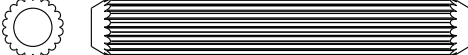
- VI. Power tools should not be used to assemble this product .

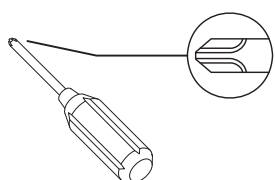


Parts List



Hardware List

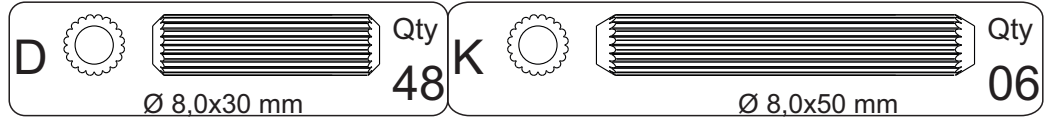
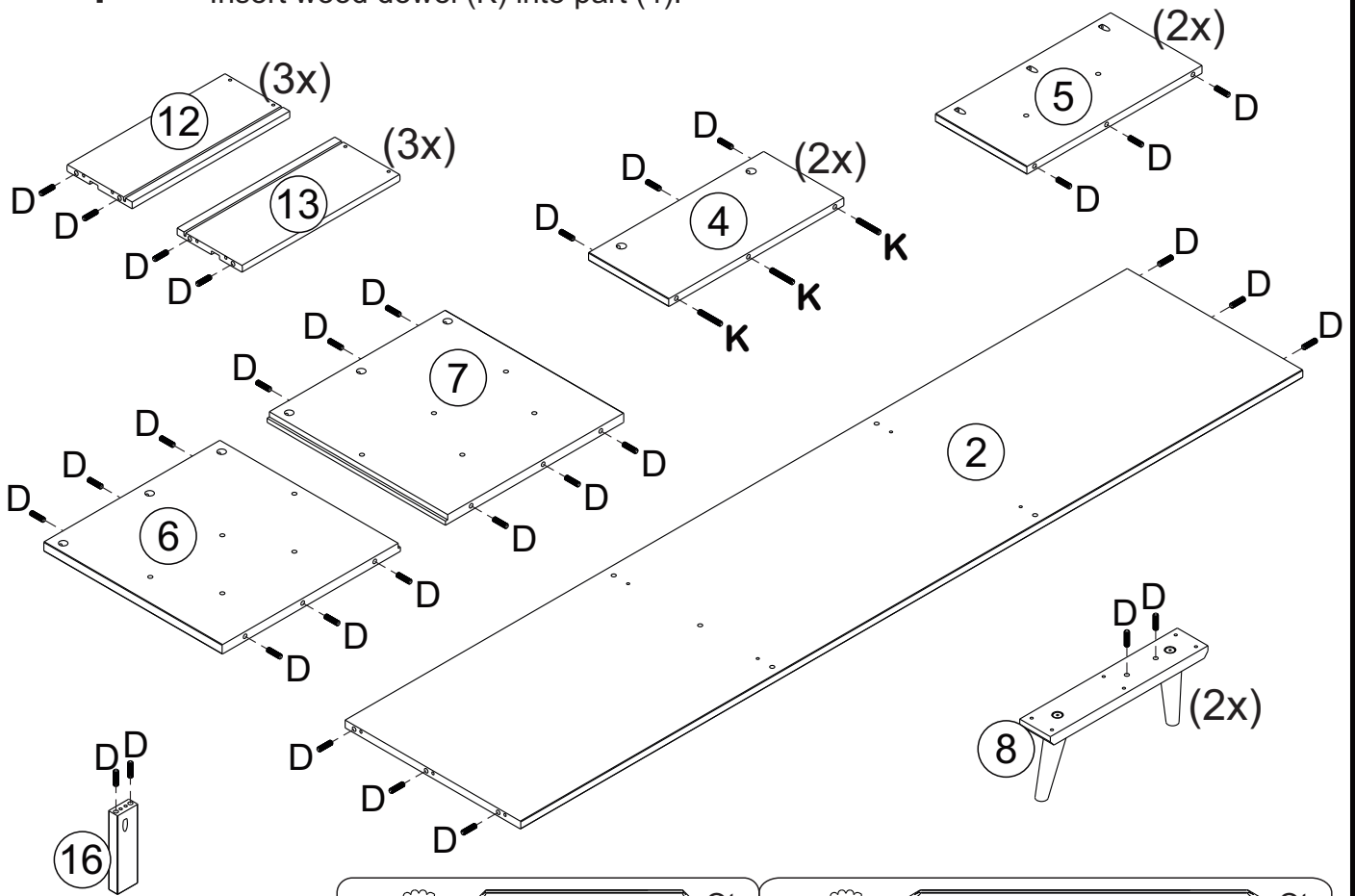
A		Ø 5,5x28mm	Cam Bolt	10 pcs
B		Ø 14x14mm	Cam Lock	10 pcs
C		Ø 3,5x30 mm	Screw	50 pcs
D		Ø 8,0x30 mm	Wood dowel	48 pcs
E		Ø 3,5x16 mm	Screw	43 pcs
F			Plastic Slide	06 pcs
G		Ø 4,0x40 mm	Screw	16 pcs
H				08 pcs
I		Ø 3,5x20 mm	Screw	08 pcs
J			Drawer Limiter	03 pcs
K		Ø 8,0x50 mm	Wood dowel	06 pcs



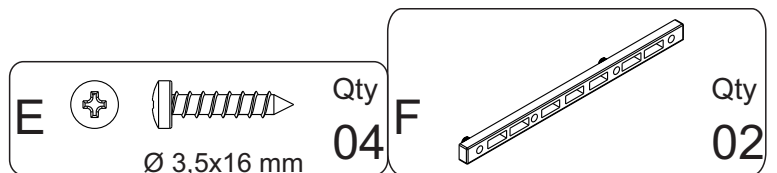
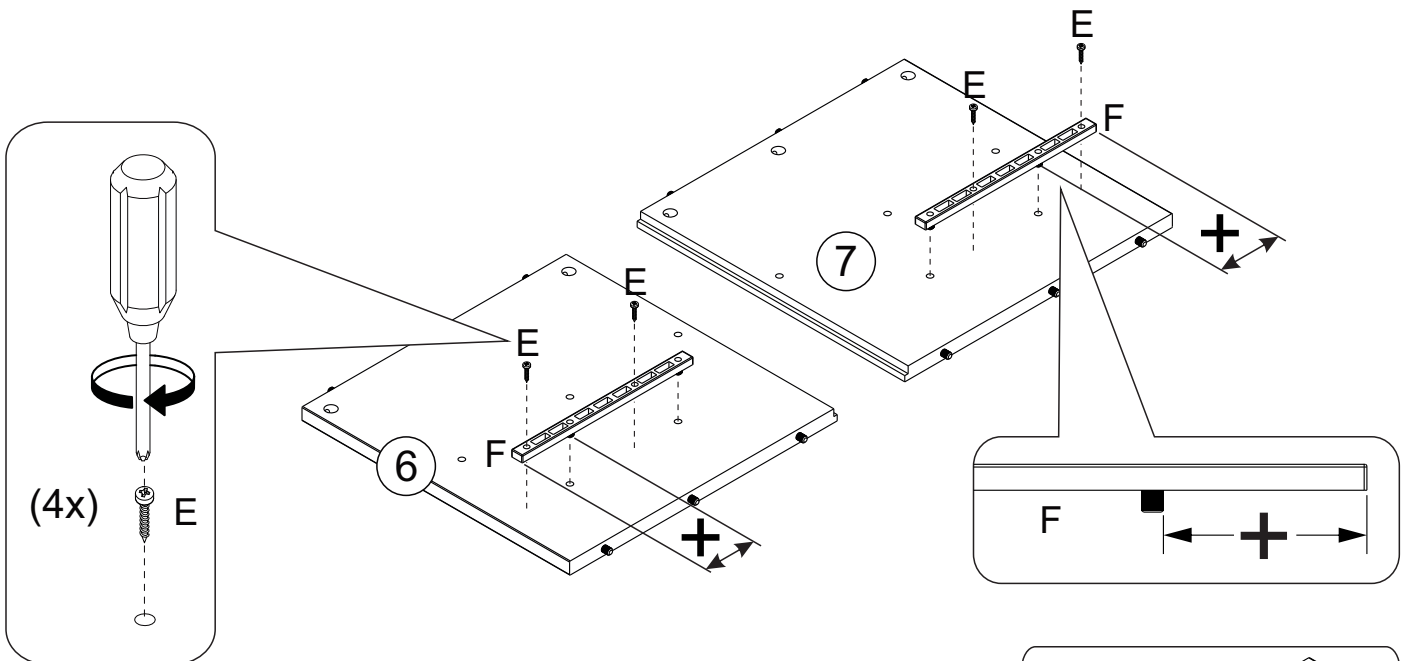
Philips head screwdriver required for assembly
(not included)

*The hardware quantities listed above are required for proper assembly.
Some extra hardware may also have been included.*

Step 1 Insert wood dowel (D) into parts (2), (4), (5), (6), (7), (8), (12), (13) and (16).
Insert wood dowel (K) into part (4).

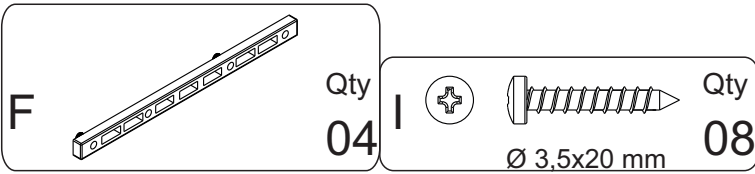
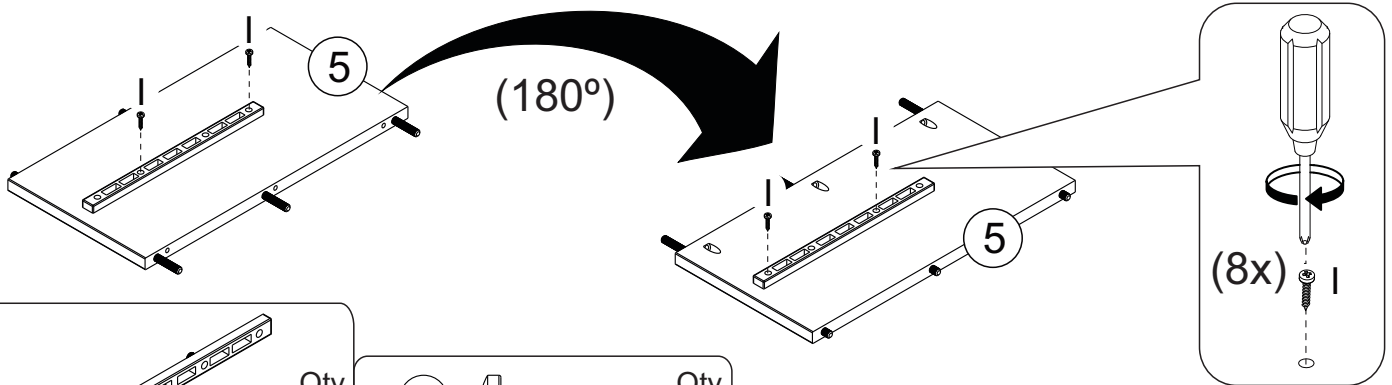
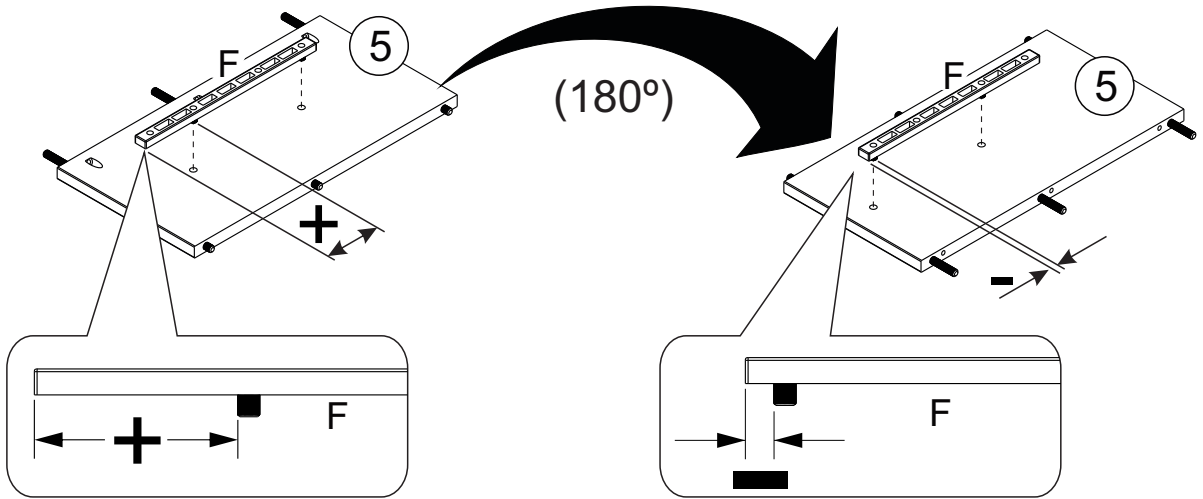


Step 2 Attach the Plastic Slide (F) into part (6) and (7) using Screw (E) and a Phillips head screwdriver. Complete this step twice.

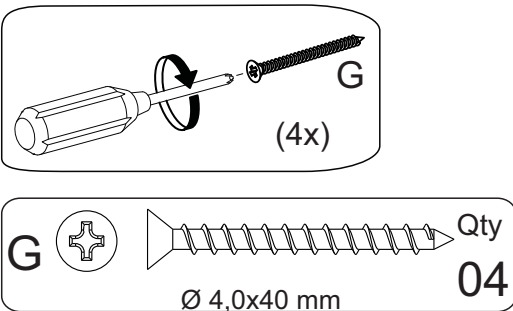
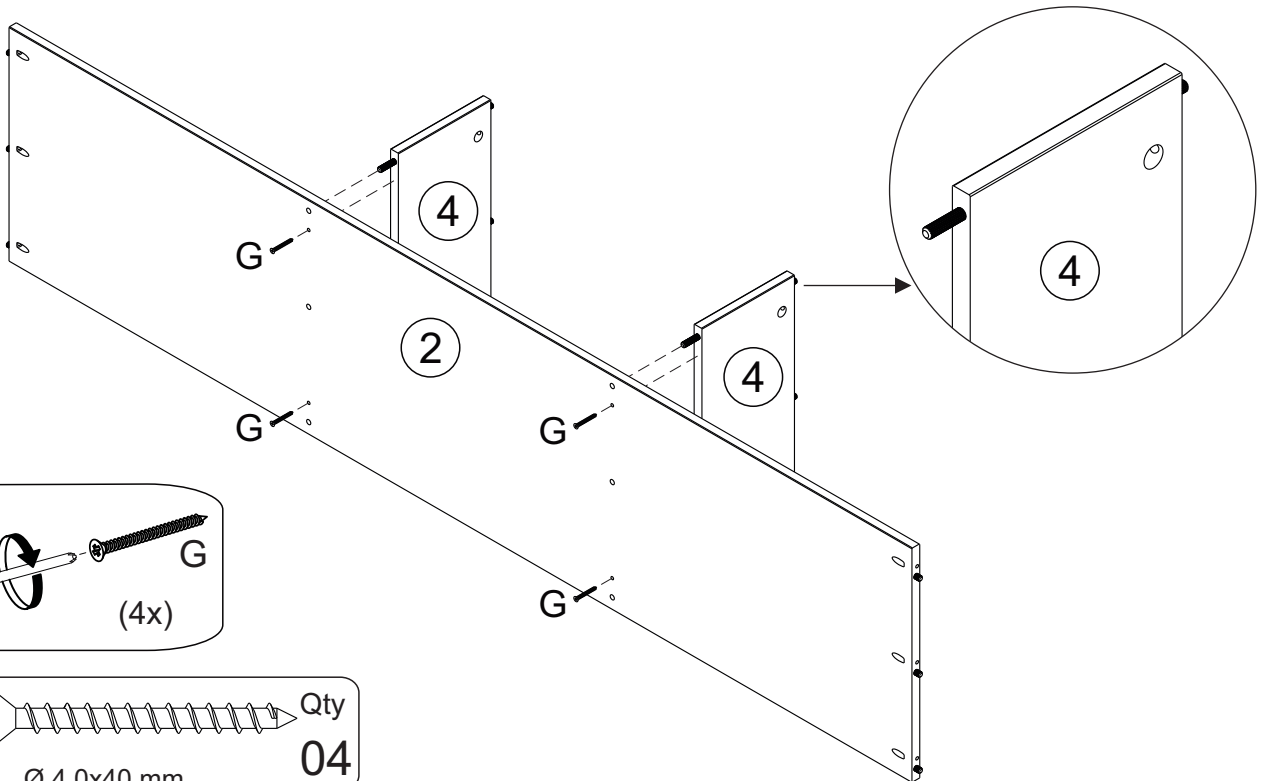


Step 3 Attach the Plastic Slide (F) into part (5) using Screw (I) and a Phillips head screwdriver. Complete this step twice.

2x

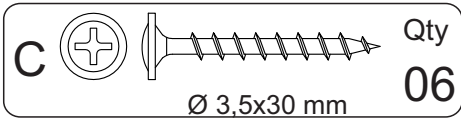
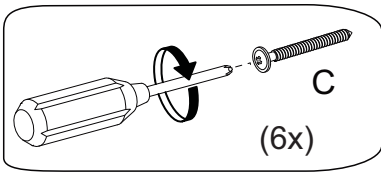
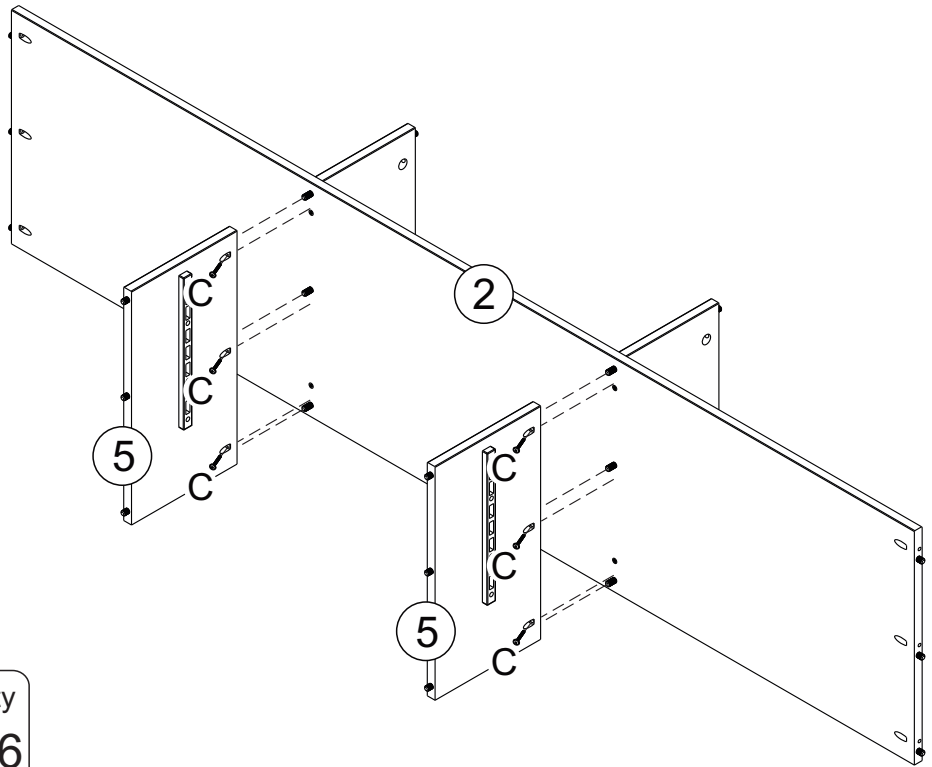


Step 4 Attach part (2) in the holes of parts (4) using screw (G) and a Phillips head screwdriver.



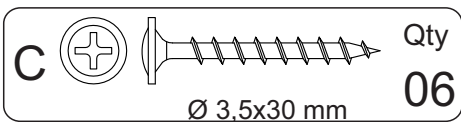
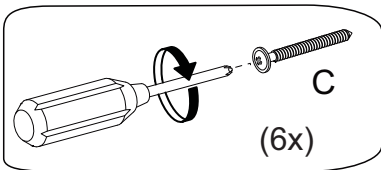
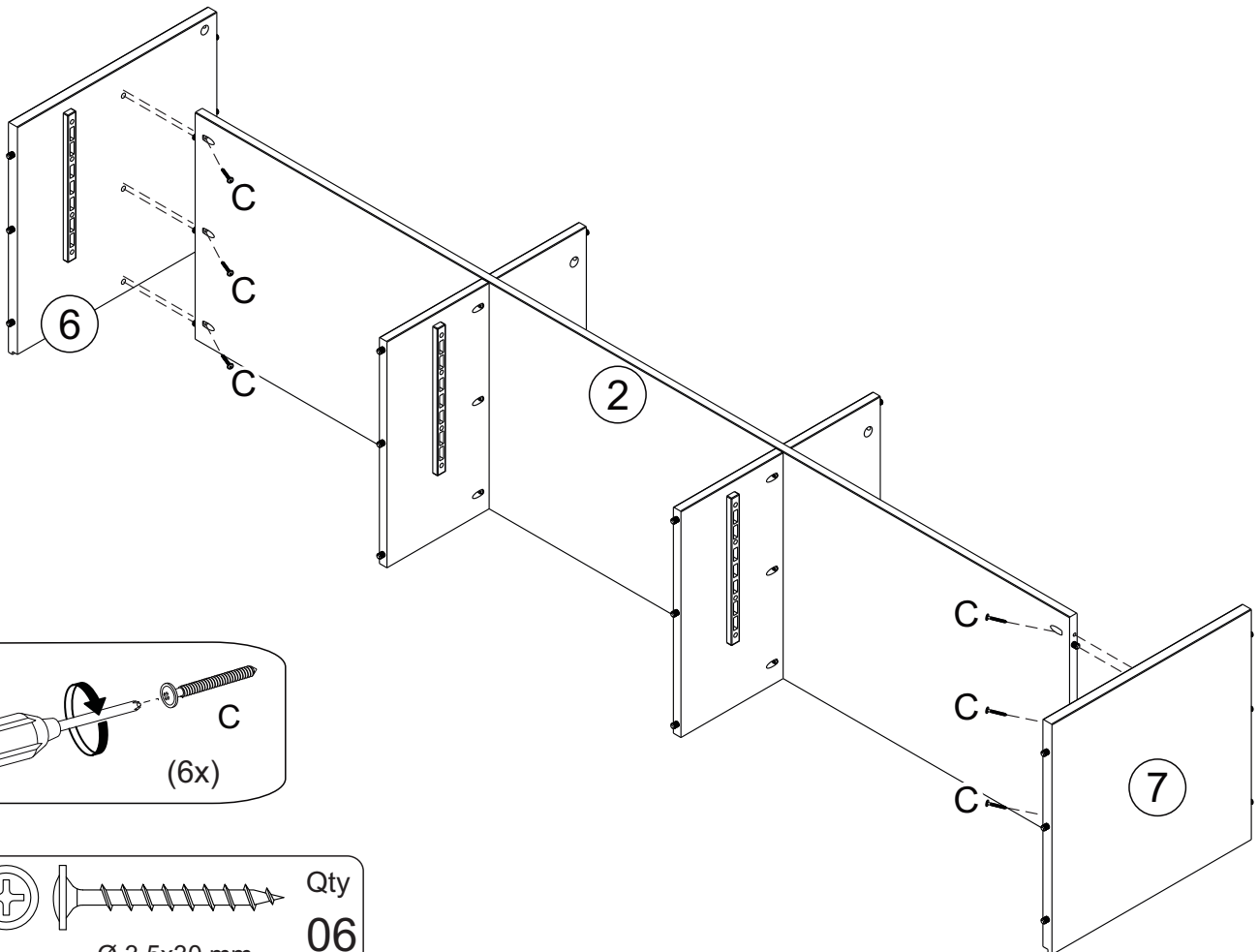
Step 5

Attach parts (5) in the holes of part (2) using screw (C) and a Phillips head screwdriver.



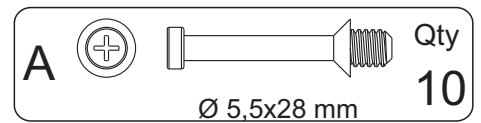
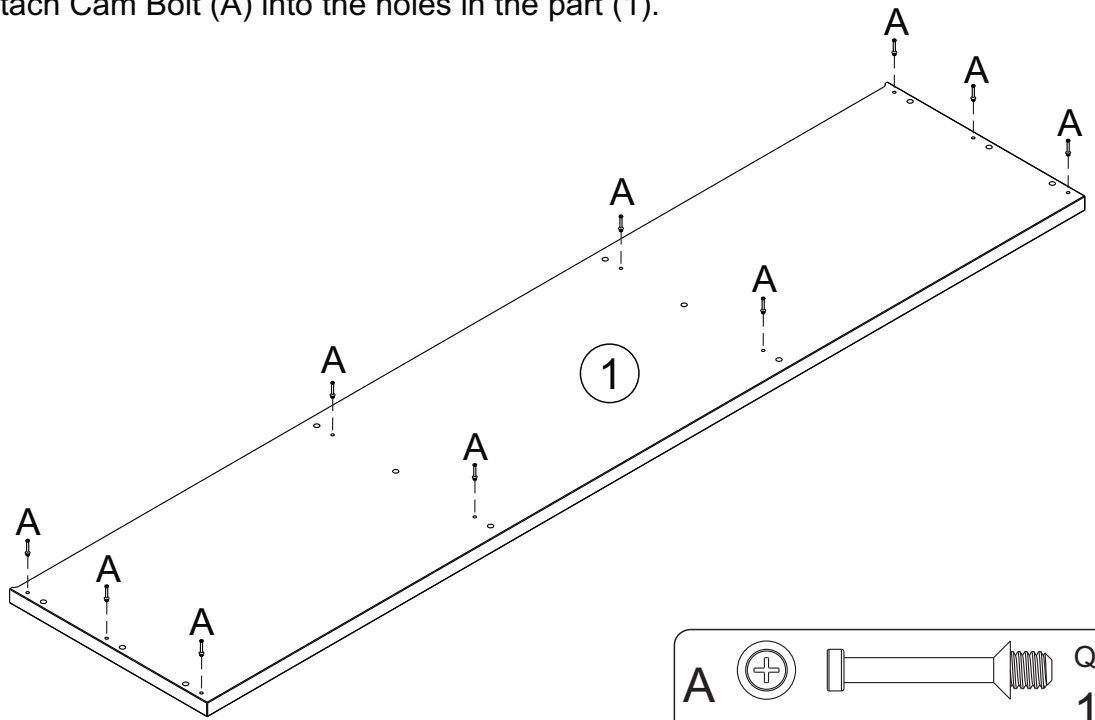
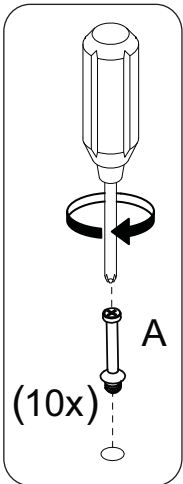
Step 6

Attach holes part (6) and (7) in the wood dowels of part (2) using screw (C) and a Phillips head screwdriver.



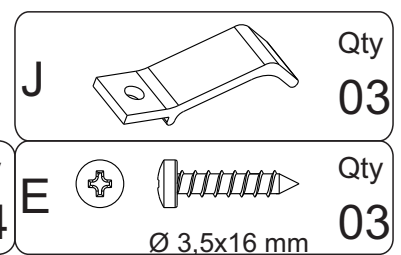
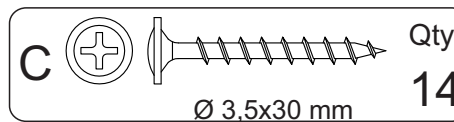
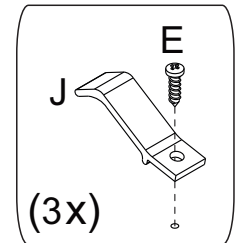
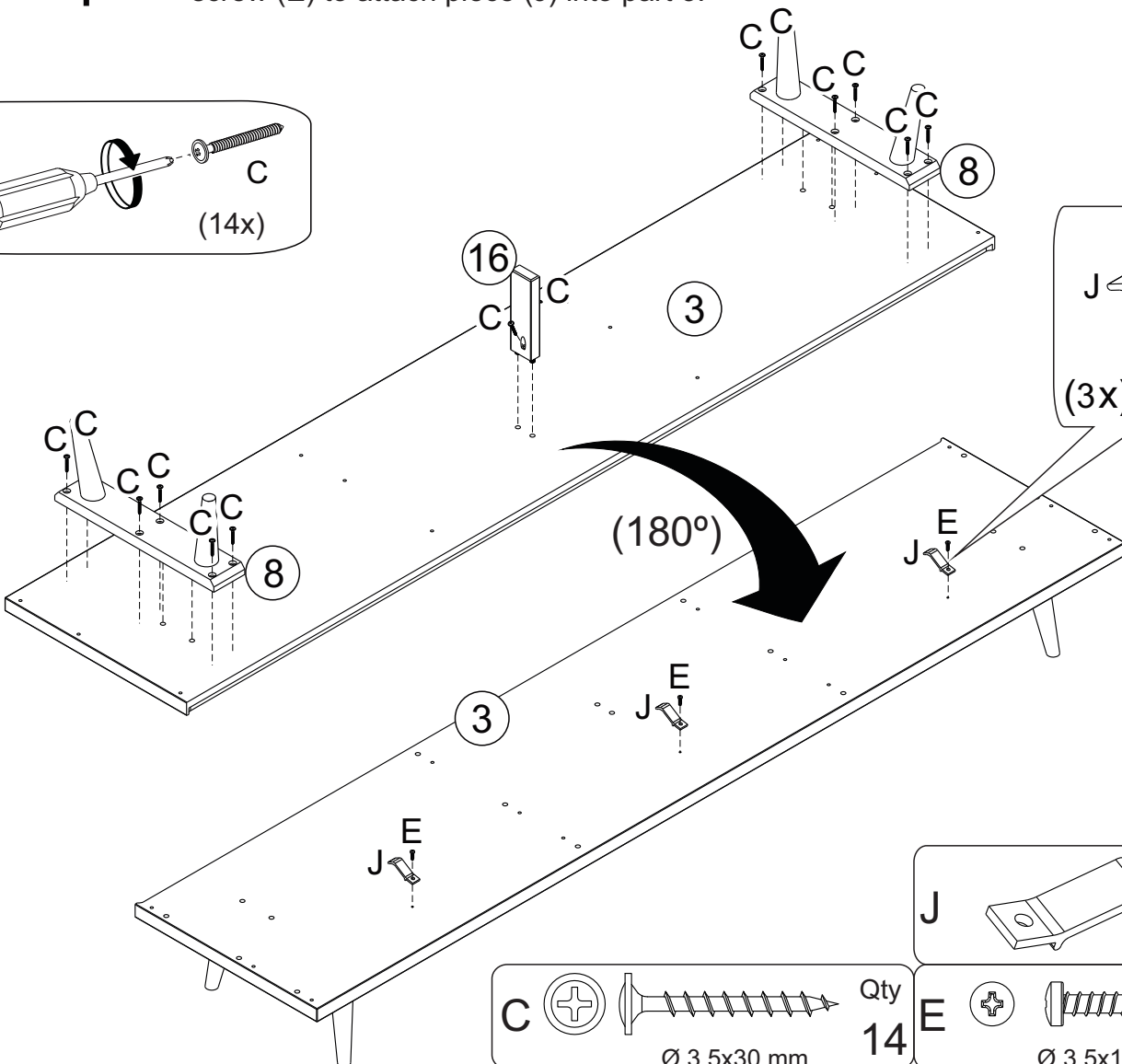
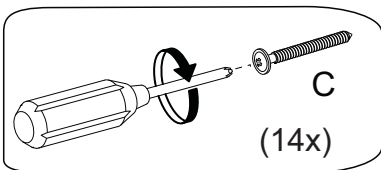
Step 7

Attach Cam Bolt (A) into the holes in the part (1).



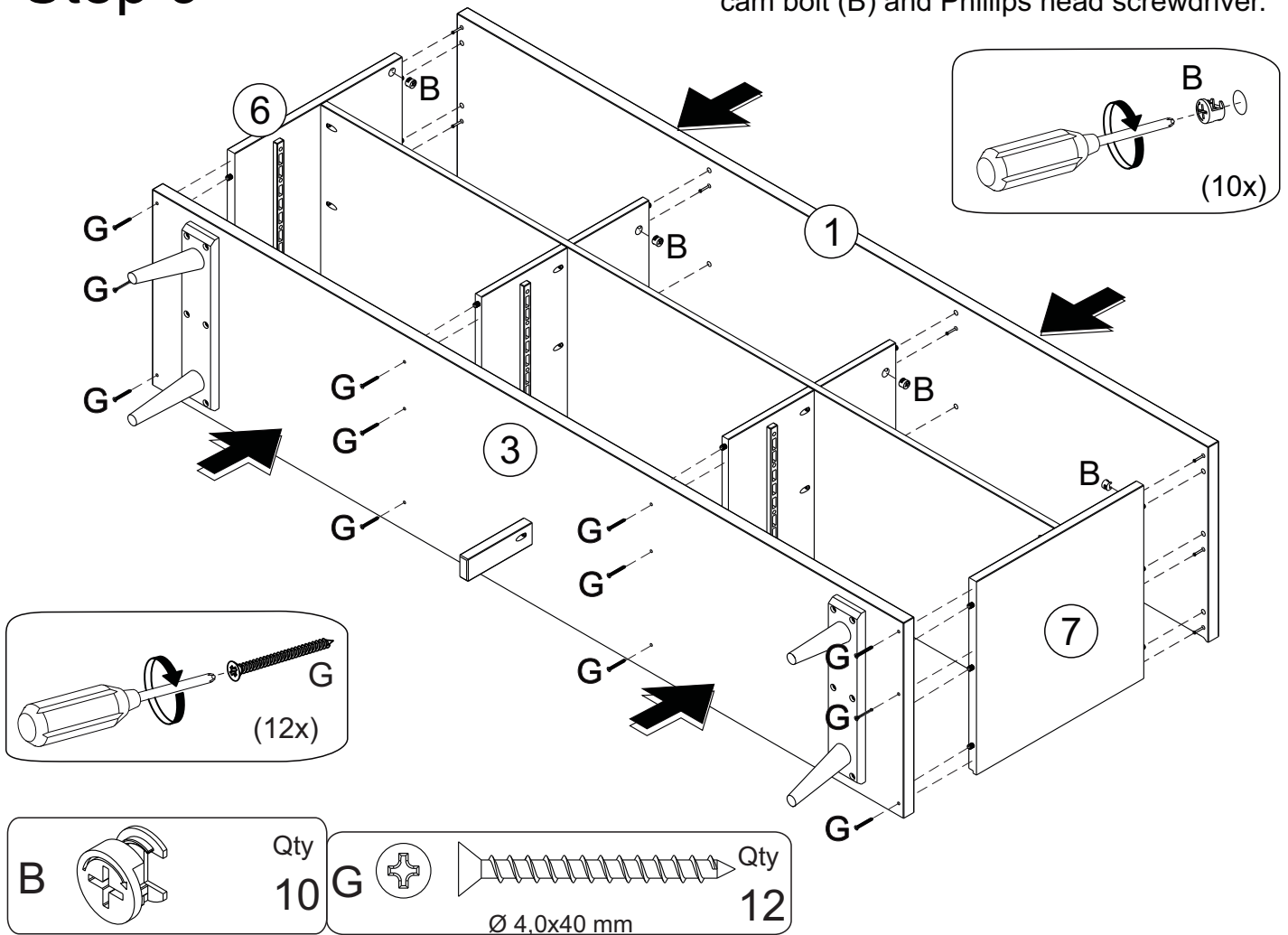
Step 8

Attach parts 8, 16 to part 3 using screw (C) and a Phillips head screwdriver. Use screw (E) to attach piece (J) into part 3.



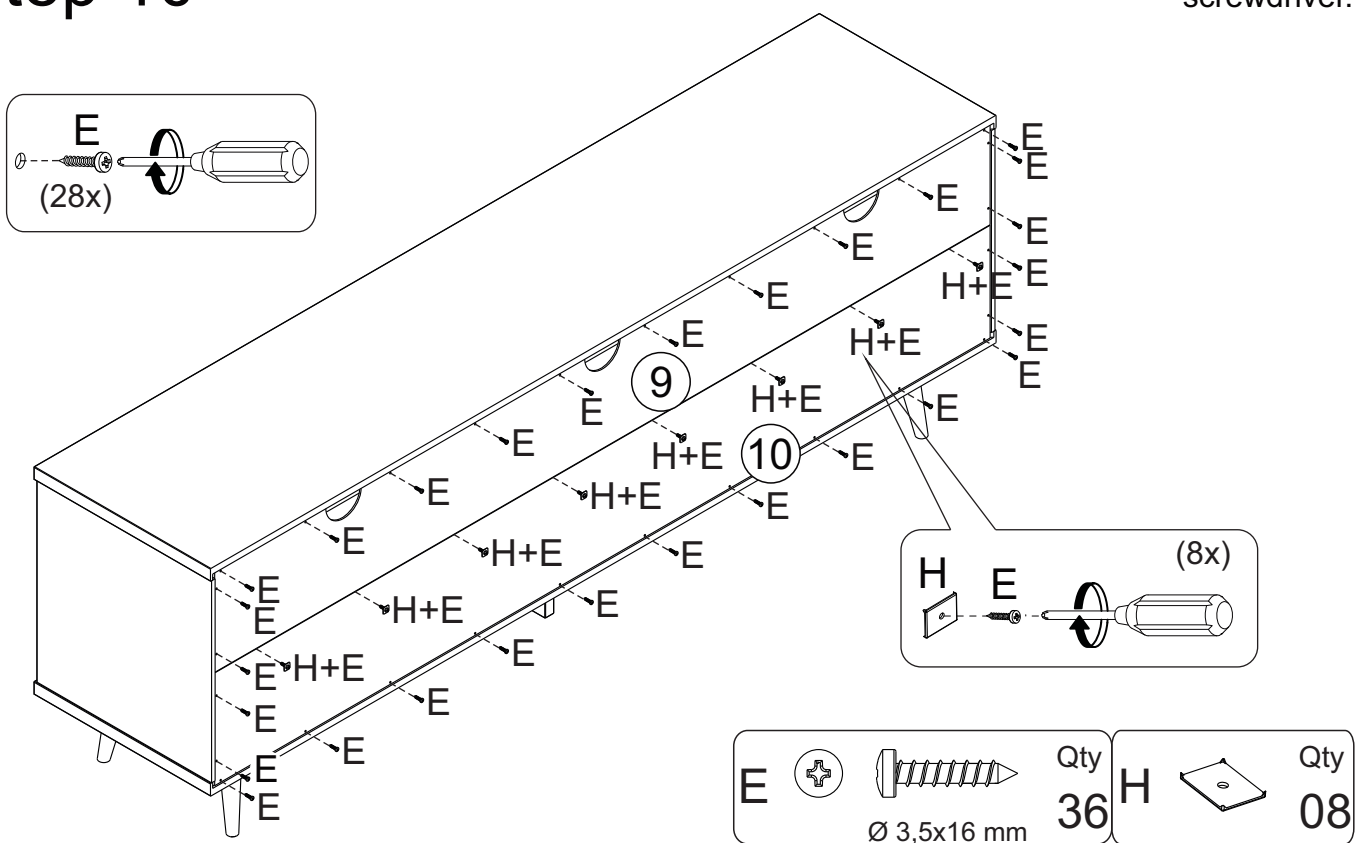
Step 9

Attach part (1) and (3) in the wood dowels of part (6) and (7) using screw (G) and cam bolt (B) and Phillips head screwdriver.



Step 10

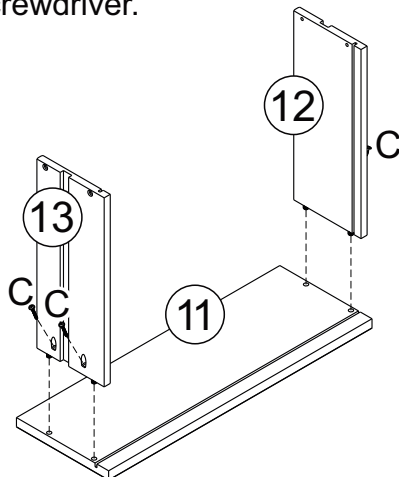
Attach part (9) and (10) using screw (E) and hardware (H) and Phillips head screwdriver.



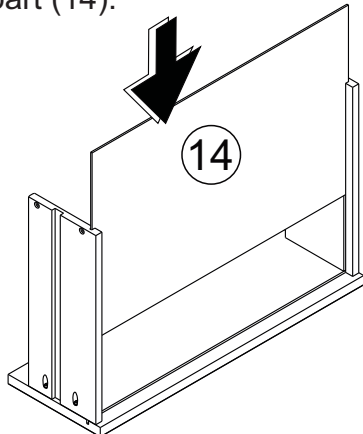
Step 11

3x

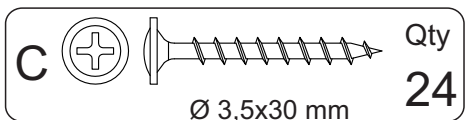
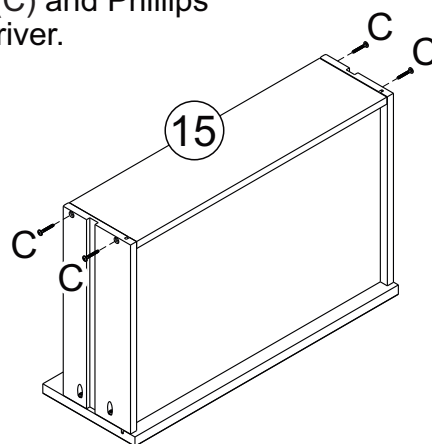
Attach part (12) and (13) in the part (11) using screw (C) and Phillips head screwdriver.



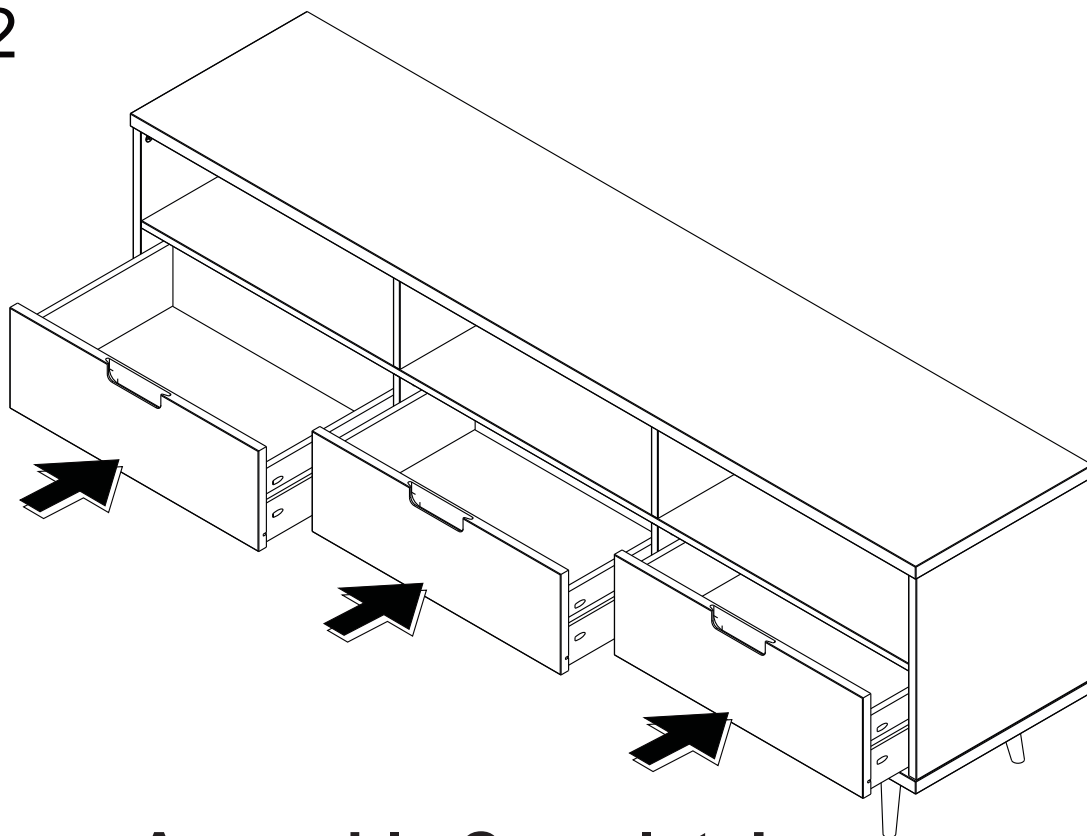
Insert part (14).



Attach part (12) and (13) in the part (15) using screw (C) and Phillips head screwdriver.



Step 12



Assembly Complete!