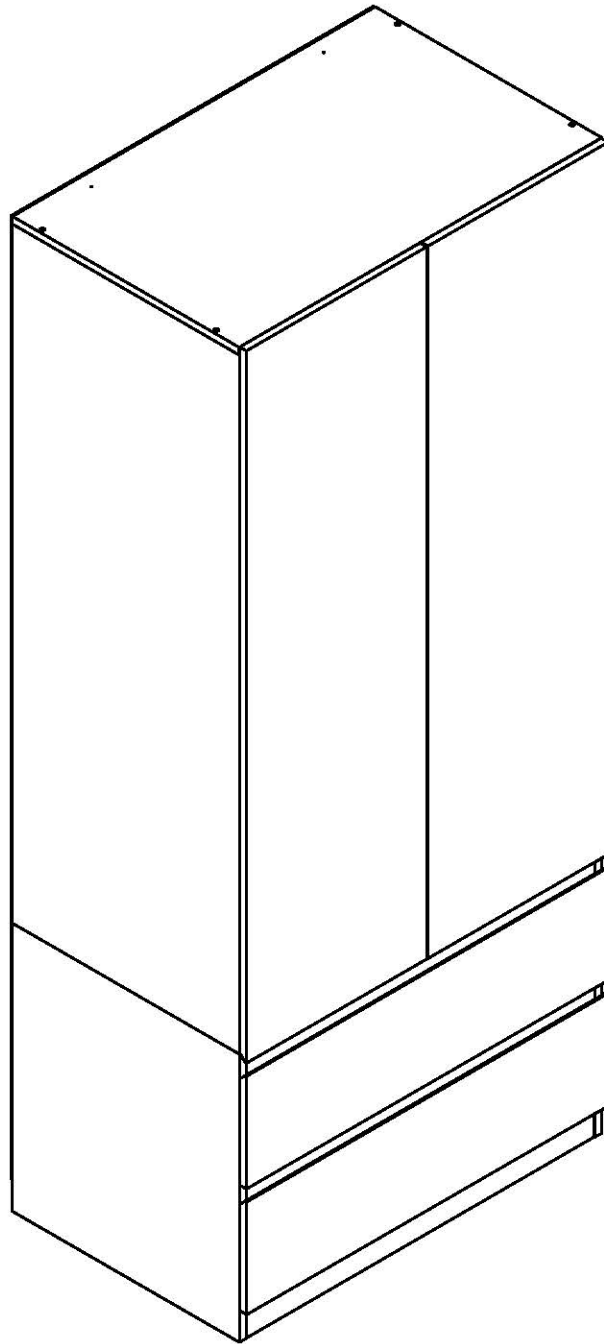


Wardrobe



IMPORTANT INFORMATION!

•please read the entire manual before starting to assemble and/or using this product. follow the manual thoroughly and keep it for further reference.

AVOID SCRATCHES!

•In order to avoid scratching this furniture should be assembled on a soft layer-could be a rug.

IMPROVE EFFICIENCY !

•Try to find a partner to install with you, which can speed up the installation efficiency and shorten the time.

IMPORTANT !

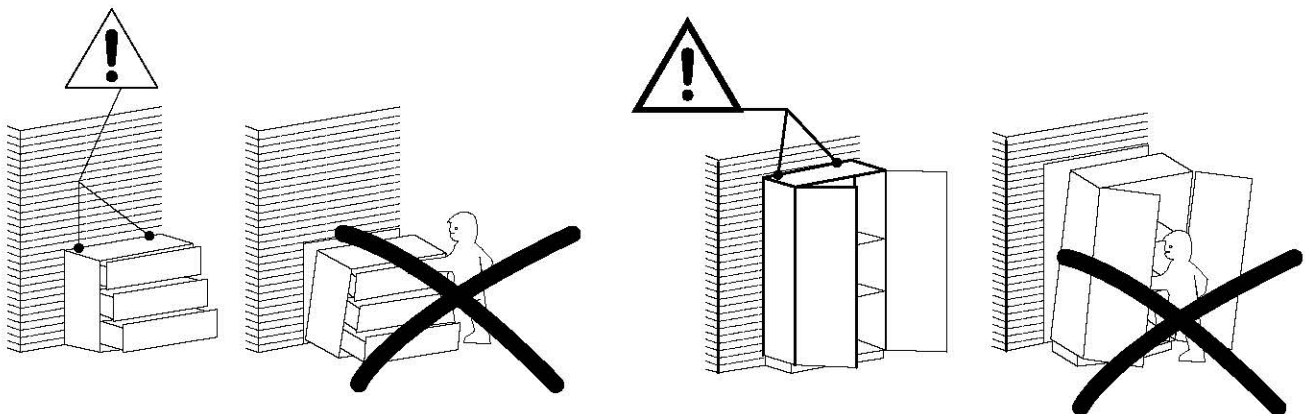
•It is important that any product which is assembled using any kind of screw is re-tightened 2 weeks after assembly, and once every 3 months - in order to assure stability through-out the lifespan of the product.

•For regular maintenance and cleaning of the product, for the frame, please use a rag dipped in neutral detergent to fully wipe it, and then dry it with a clean rag. For glass materials, wipe with a rag dampened with water glass cleaner, and then dry with a dry rag.

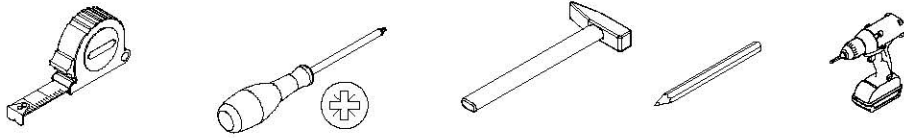
•Do not use an electric screwdriver, and do not use too much force when installing, because the board is easy to break.

ANTI-TOPPLE WARNING !









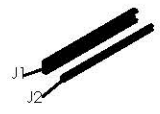





Overturnd furniture can cause serious or fatal crush injuries. To prevent tipping over, be sure to use the wall attachment, if not included with this product. Please purchase the wall attachment that fit your wall. If unsure, seek professional advice. Please read and follow each step of the instructions carefully.

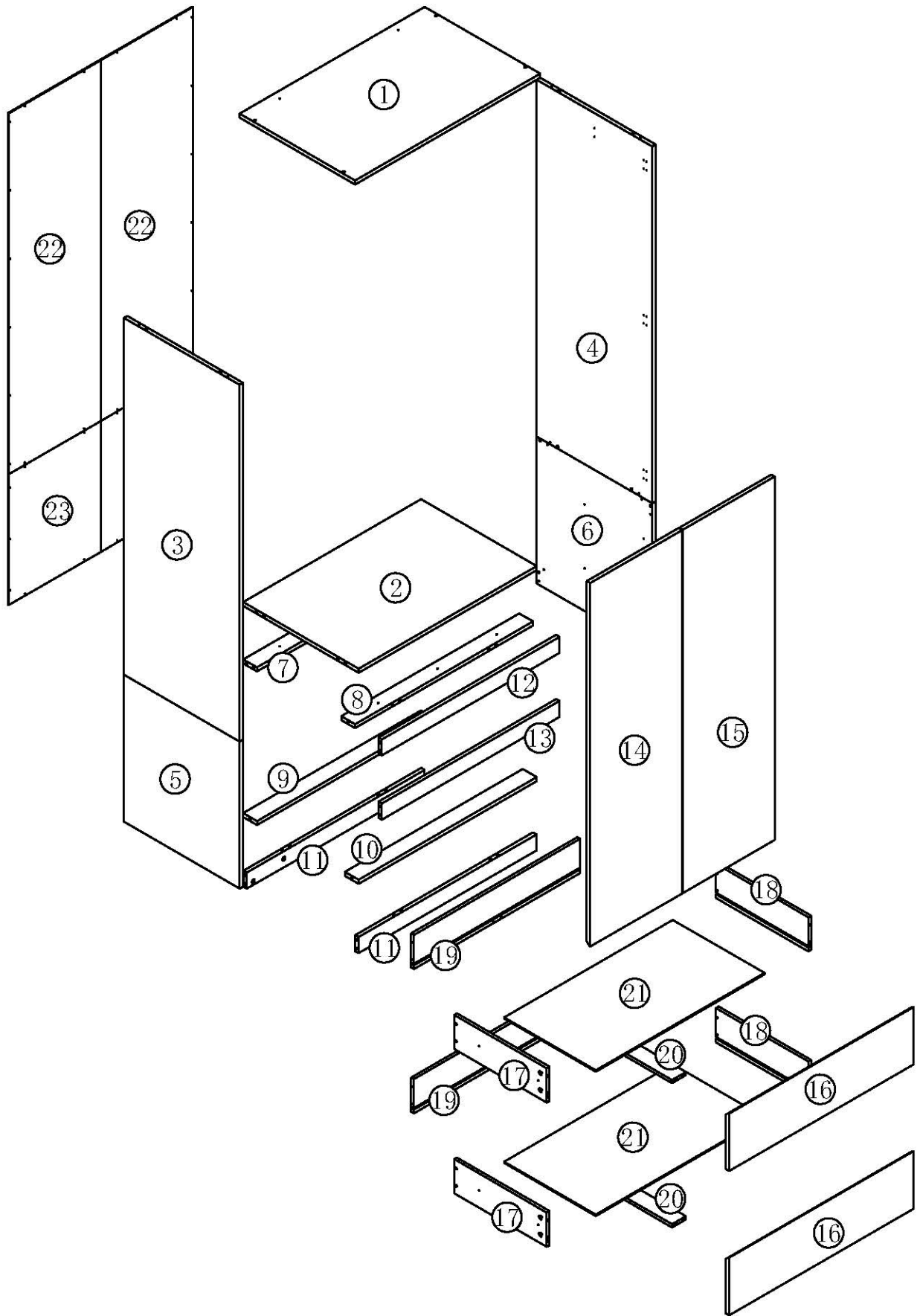


Please prepare the following tools



When installing, please carefully confirm whether each screw corresponds to the manual, accessories with similar shapes can be distinguished by size

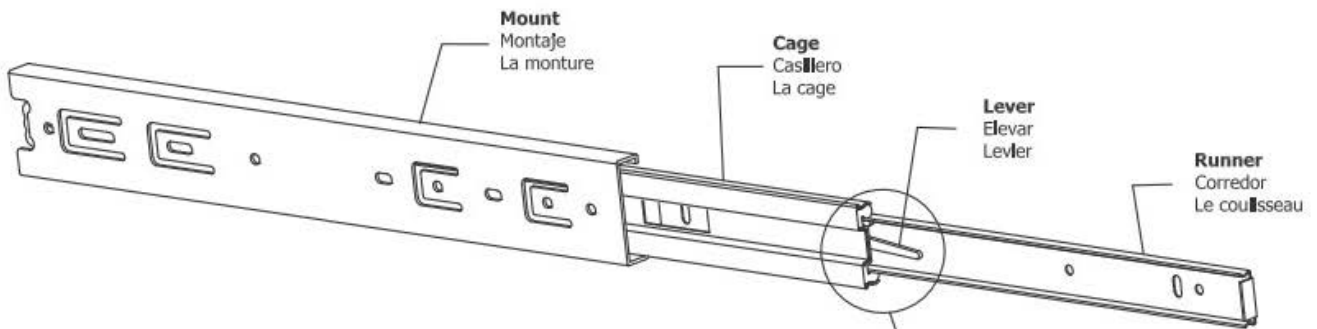
<p>A x 36</p>  <p>CRA0635A</p>	<p>B x 36</p>  <p>CRB1595A</p>	<p>C x 32</p>  <p>CRF0830A</p>	<p>D x 4</p>  <p>CRD0440A</p>	<p>E x 12</p>  <p>CRD0430A</p>
<p>F x 6</p>  <p>DGA861A</p>	<p>G x 40</p>  <p>CRD3514A</p>	<p>H x 6</p>  <p>CRD0425A</p>	<p>J x 2</p>  <p>#4512 14"</p>	<p>K x 16</p>  <p>CRD3512A</p>
<p>L x 34</p>  <p>CRD0312A</p>	<p>M x 2</p>  <p>47 x 18 x 12mm</p>	<p>N x 1</p>  <p>762mm</p>	<p>P x 2</p> 	



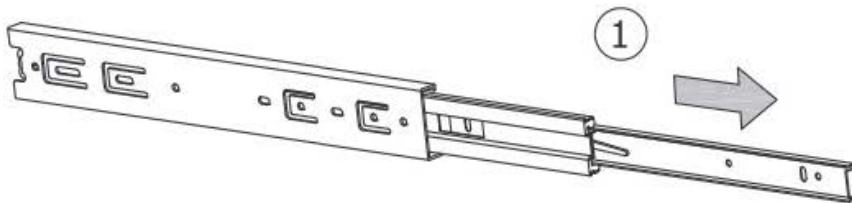
**Slides Must Be Separated Before Assembly.
After Separated, Set Aside Until Needed for Assembly.**

Las diapositivas deben separarse antes del montaje.
Después de la separación, déjelo a un lado hasta que sea necesario.

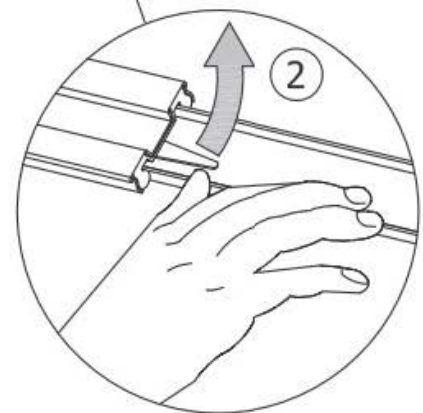
Les glissières doivent être séparées avant l'assemblage.
Après la séparation, mettez de côté jusqu'au moment de l'assemblage.



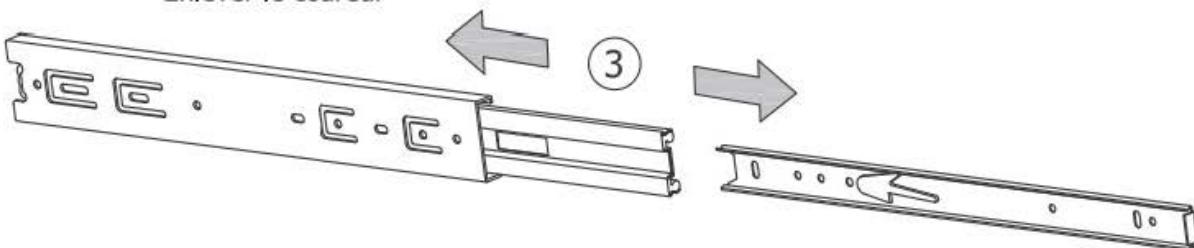
STEP 1: Extend Slide
Extender la diapositiva
Extendre la diapositive






STEP 2: Push Lever UP
Empujar hacia arriba
Lever le levier

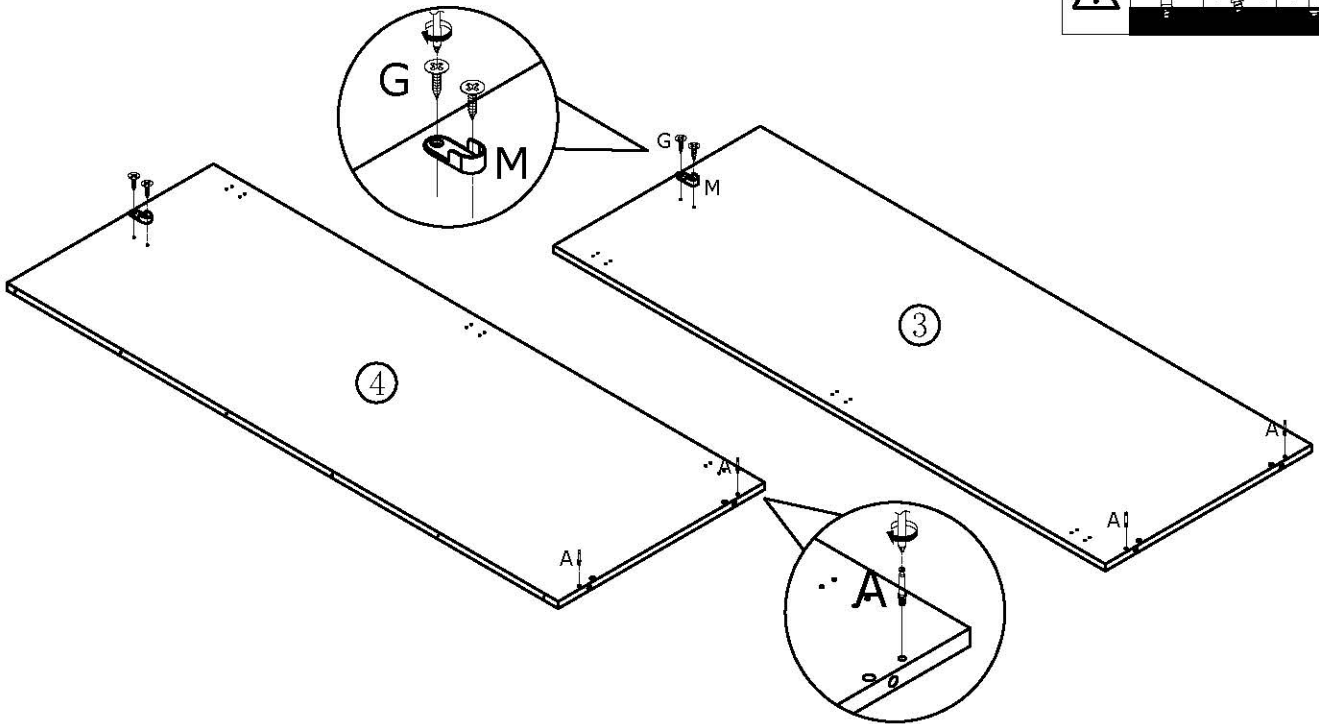
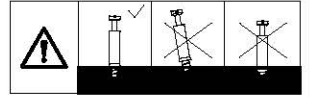
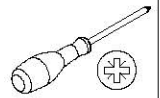


STEP 3: Remove Runner
Quitar el corredor
Enlever le coureur


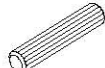


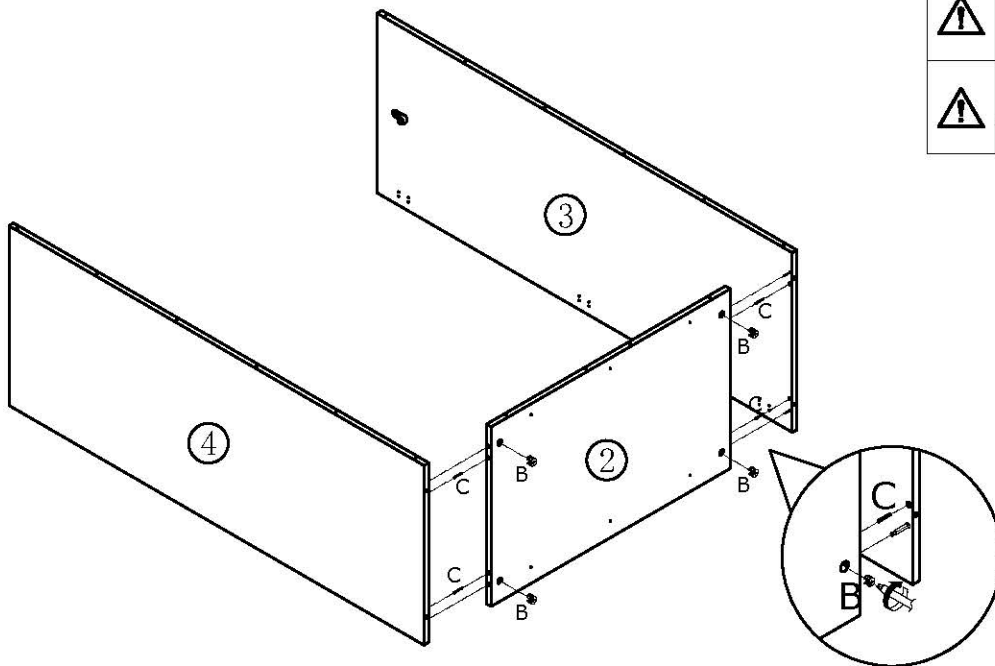
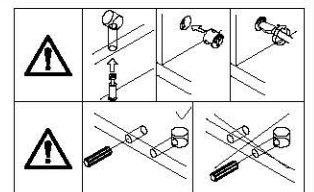
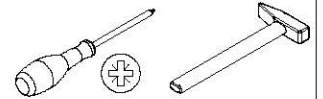
1

A x 4  CRA0635A	G x 4  CRD3514A	M x 2  47x18x12mm
--	--	--

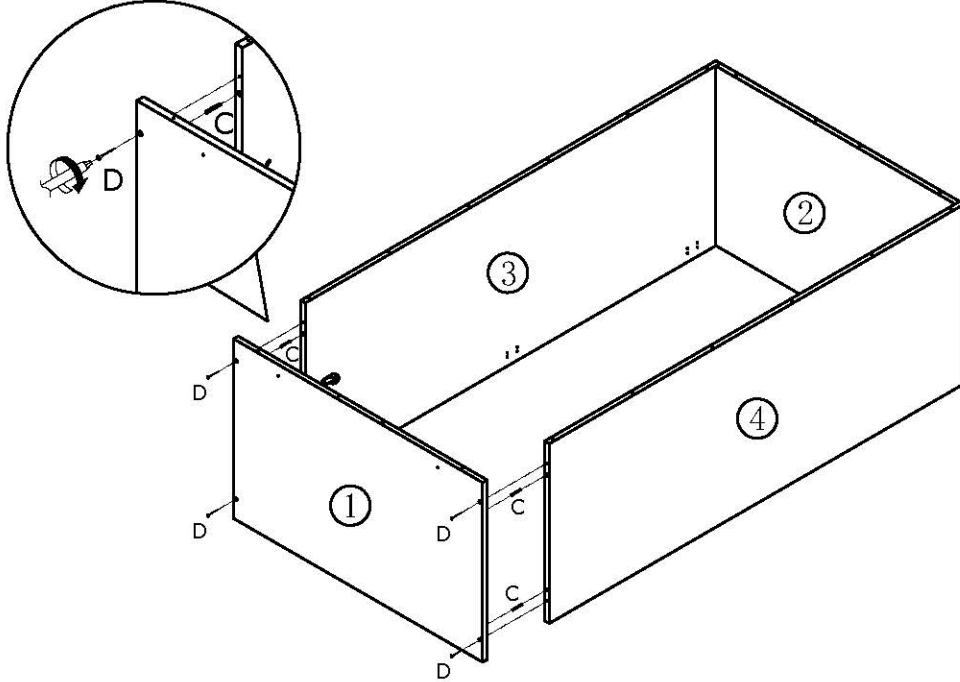
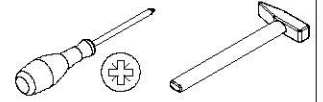
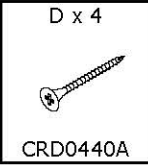


2

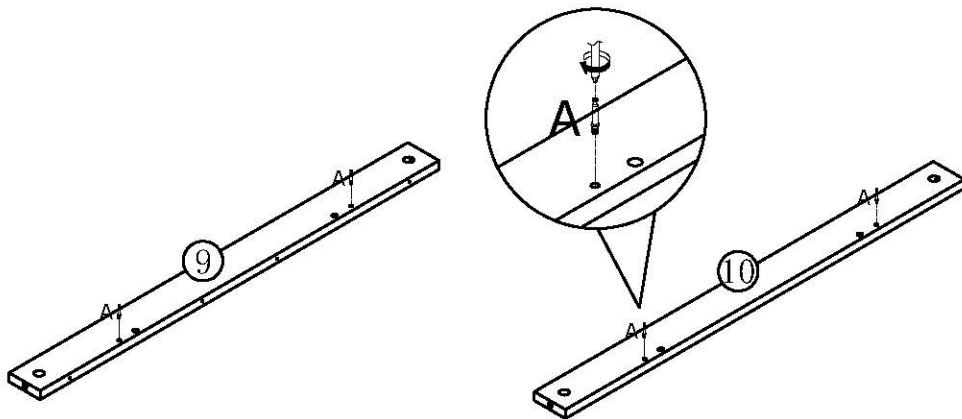
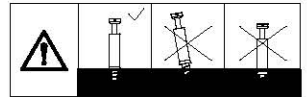
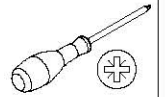
B x 4  CRB1595A	C x 4  CRF0830A
--	--



3



4



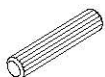
5

B x 4

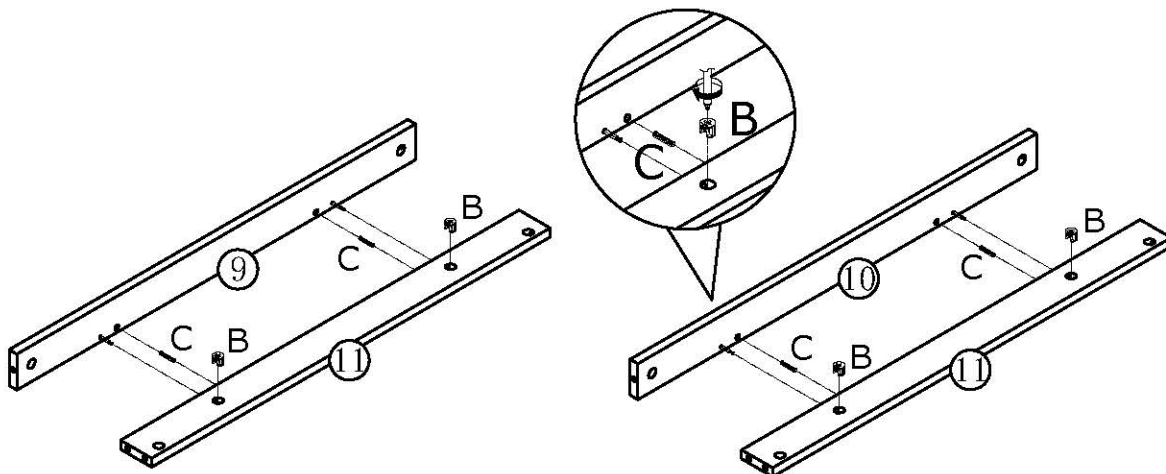
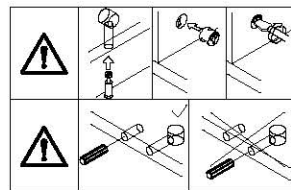
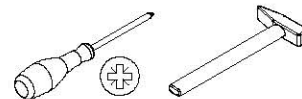


CRB1595A

C x 4



CRF0830A

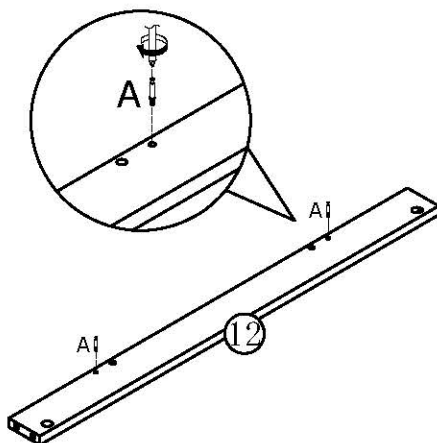
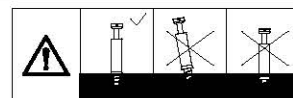
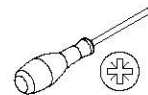


6

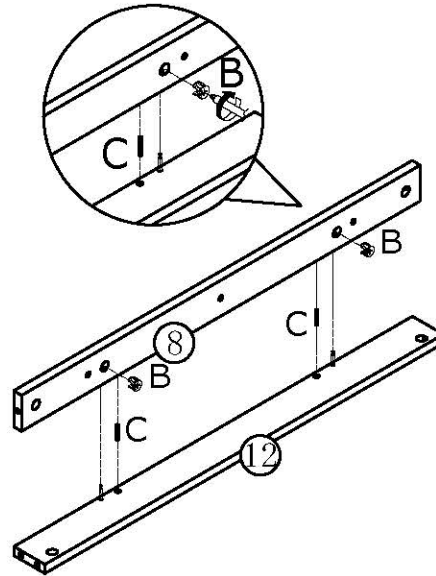
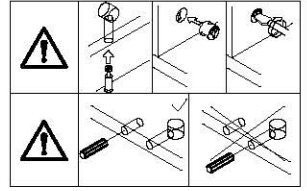
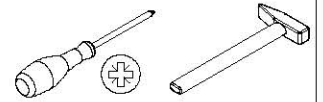
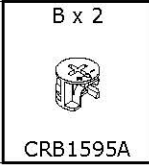
A x 2



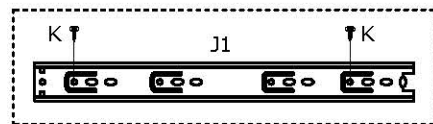
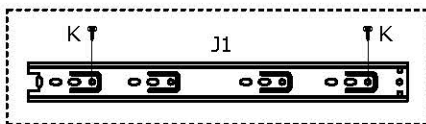
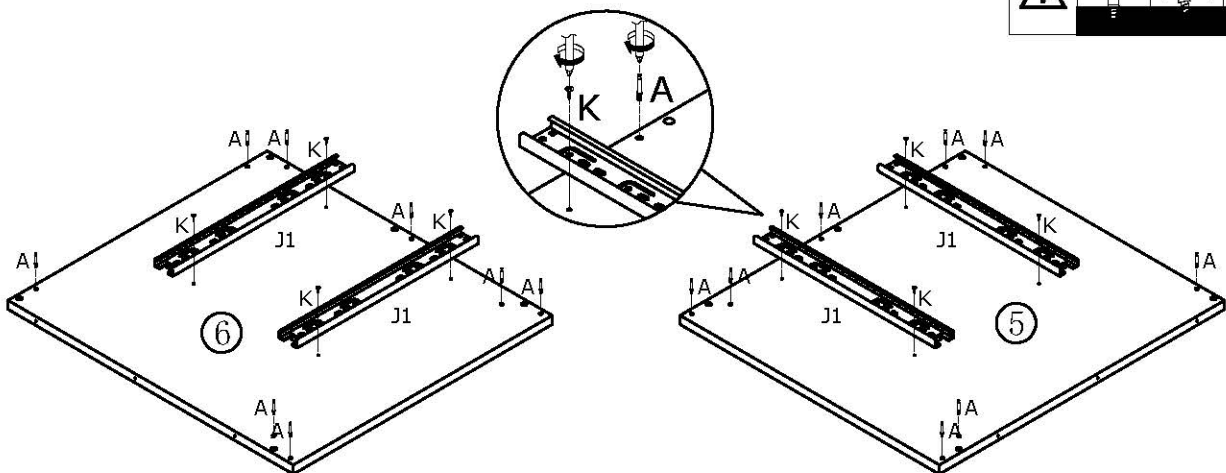
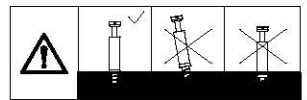
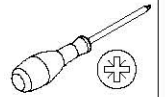
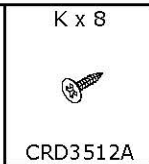
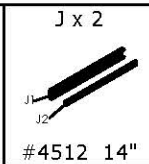
CRA0635A





7

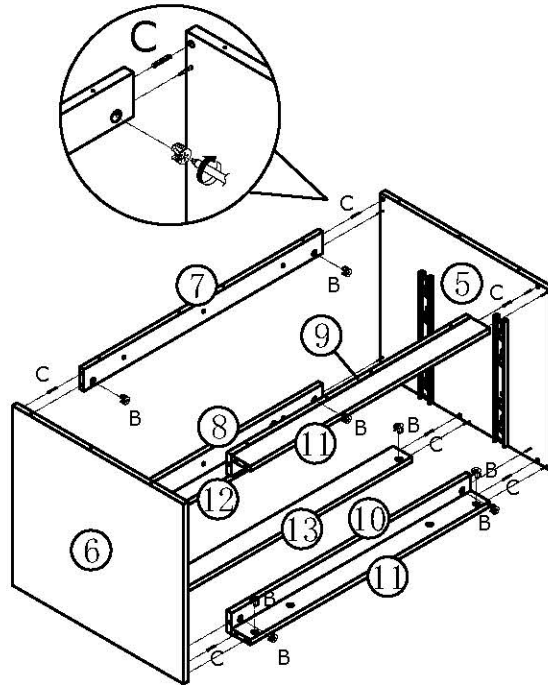
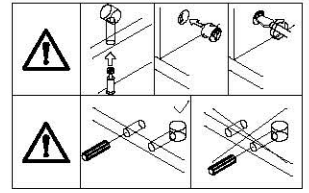
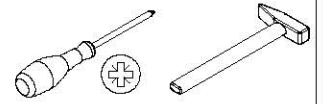


8

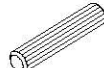



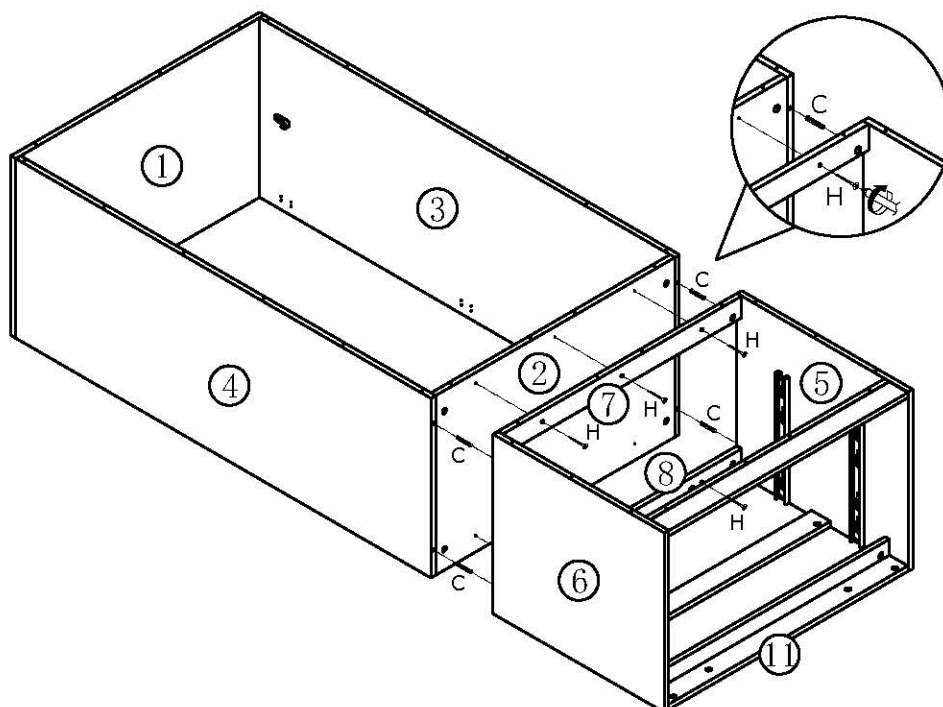
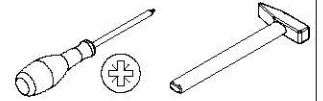
9

B x 16	C x 10
	
CRB1595A	CRF0830A



10

C x 4	H x 6
	
CRF0830A	CRD0425A

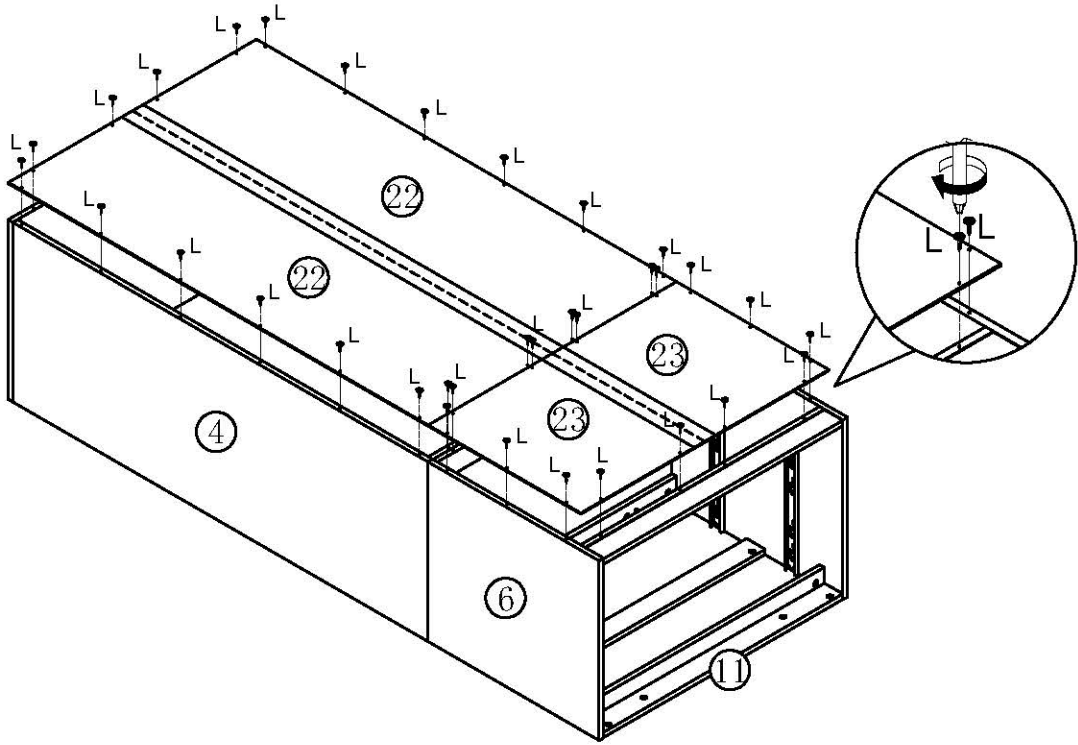
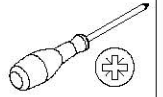


11

L x 34

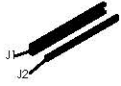


CRD0312A



12

J x 2

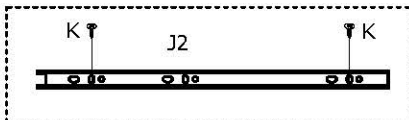
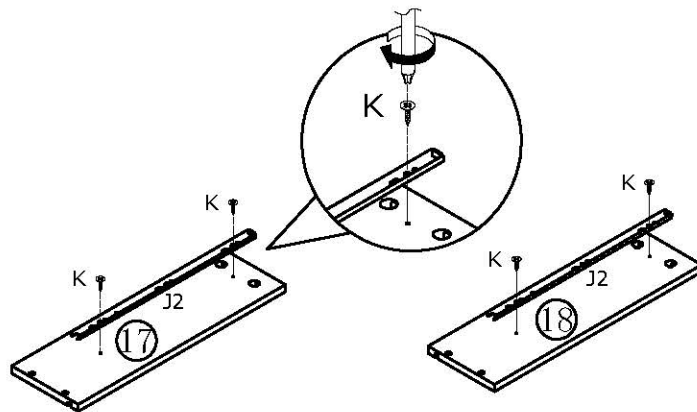
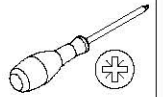


#4512 12"

K x 8



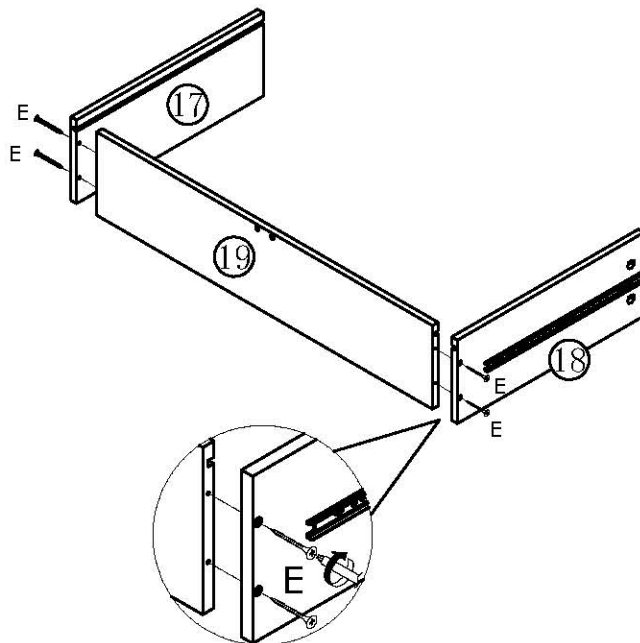
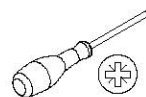
CRD3512A



x2

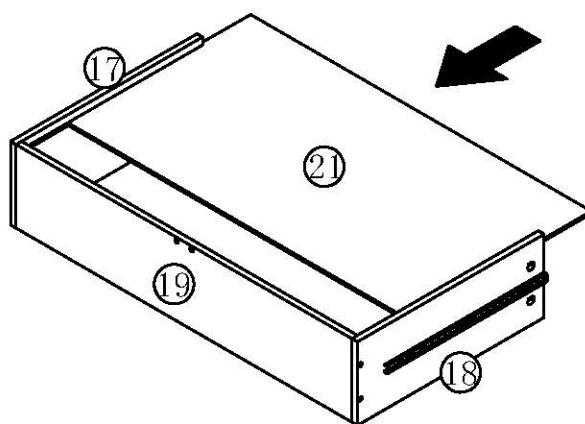
13

Ex 8
CRD0430A



x2

14



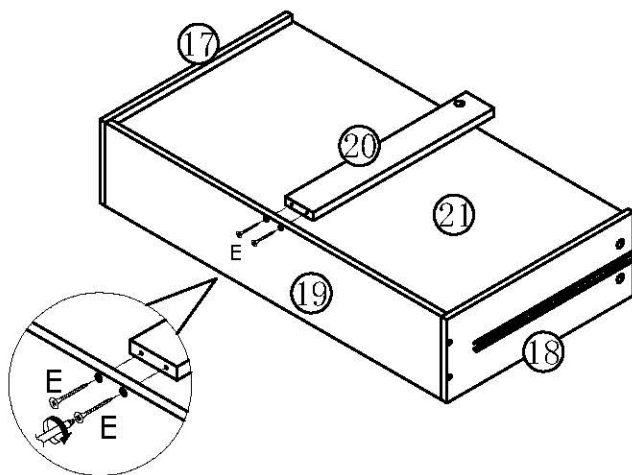
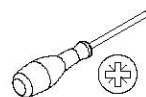
x2

15

E x 4



CRD0430A



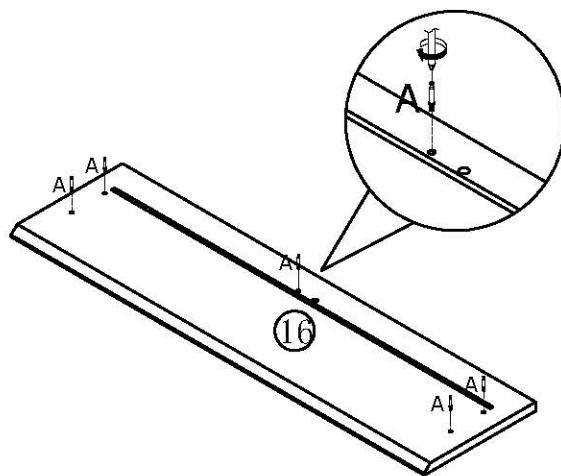
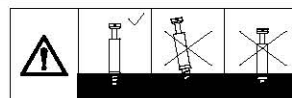
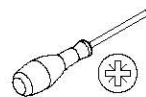
x2

16

A x 10



CRA0635A



x2

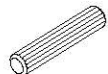
17

B x 10

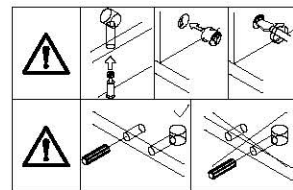
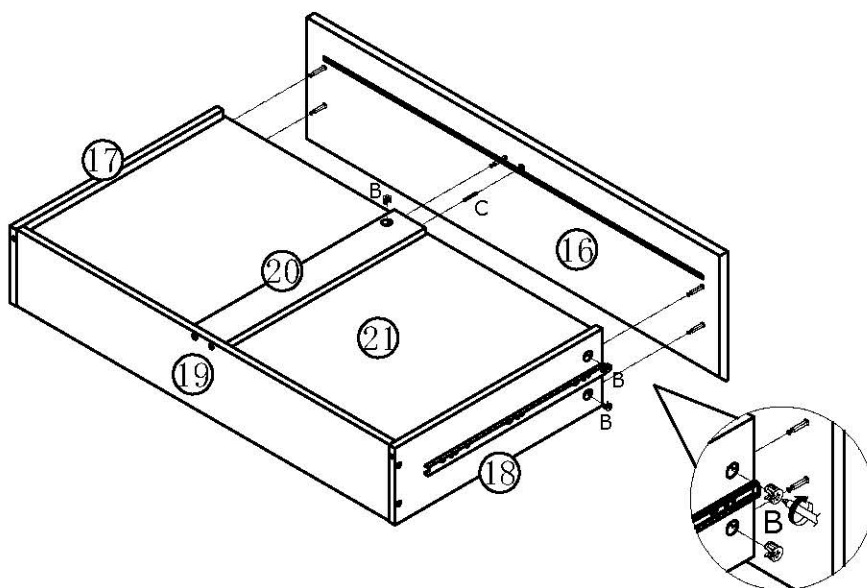


CRB1595A

C x 2

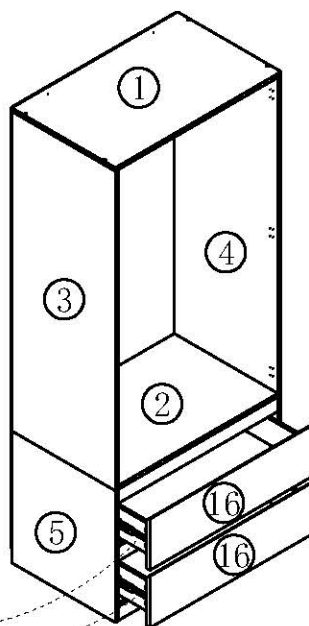
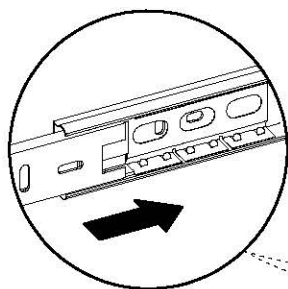


CRF0830A



x2

18

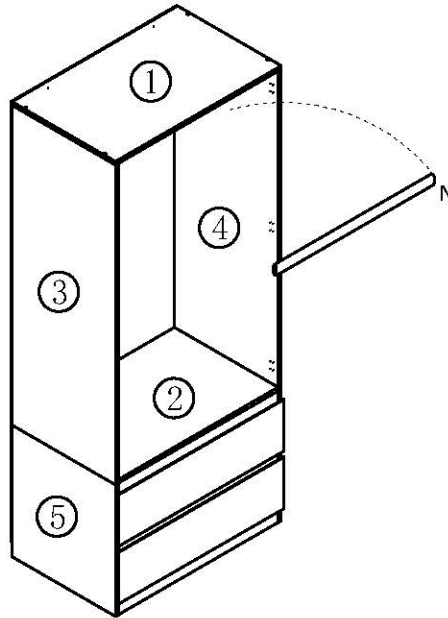


19

N x 1



762mm



20

F x 3

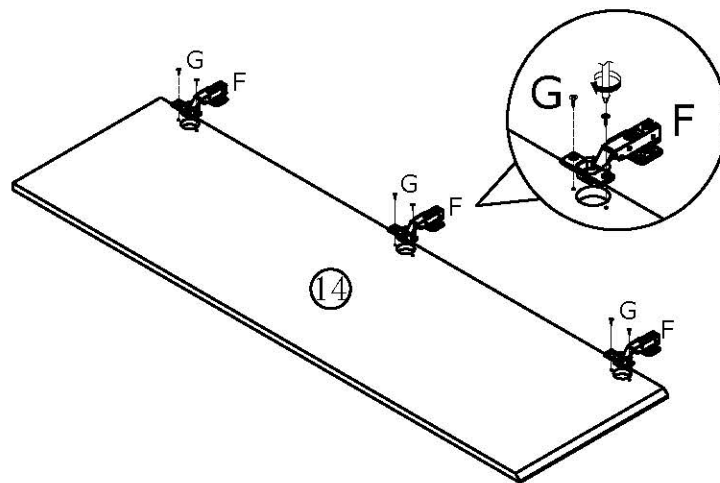
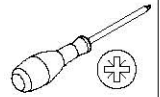


DGA861A

G x 6



CRD3514A

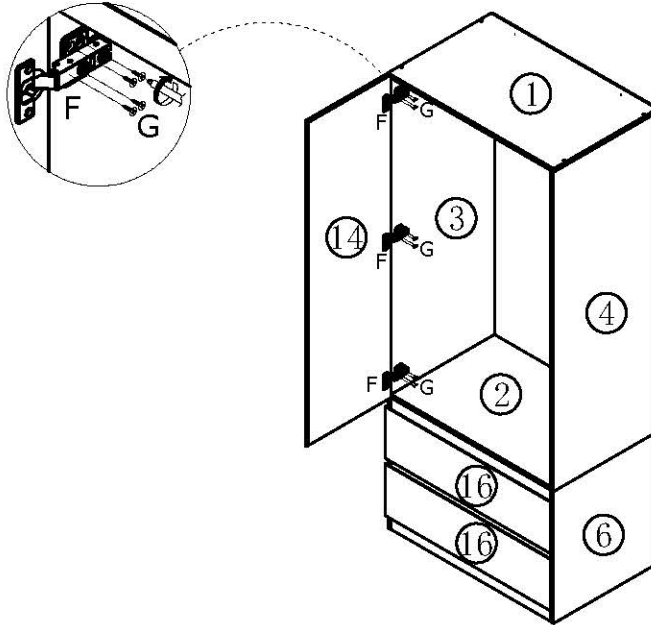
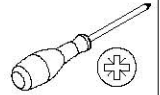


21

G x 12



CRD3514A



22

F x 3

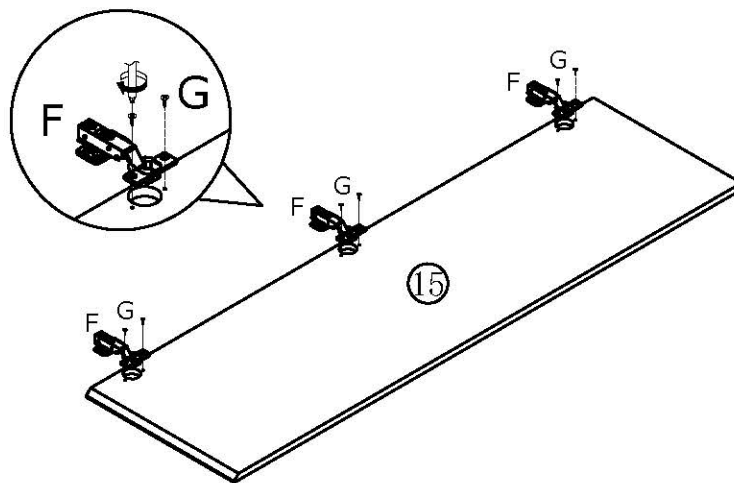
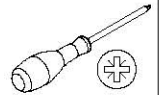


DGA861A

G x 6



CRD3514A

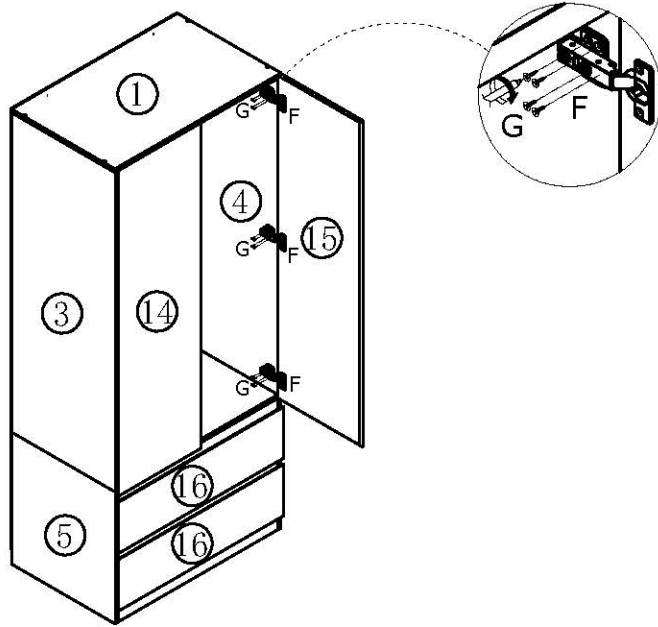
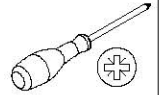


23

G x 12

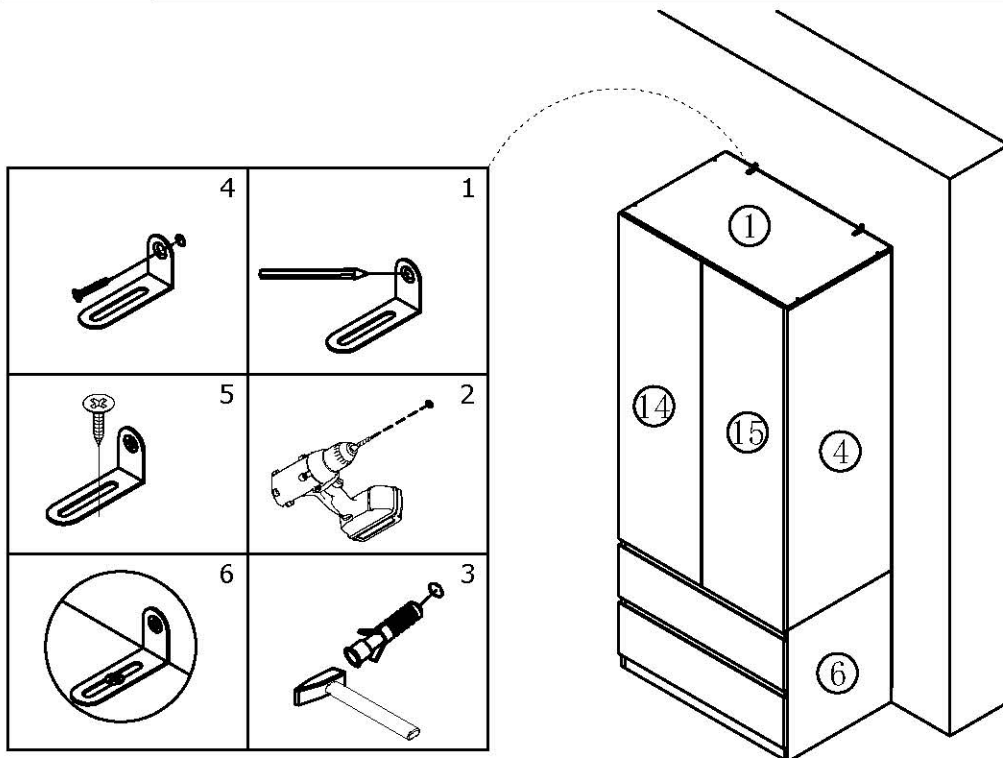
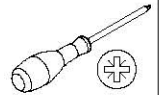


CRD3514A

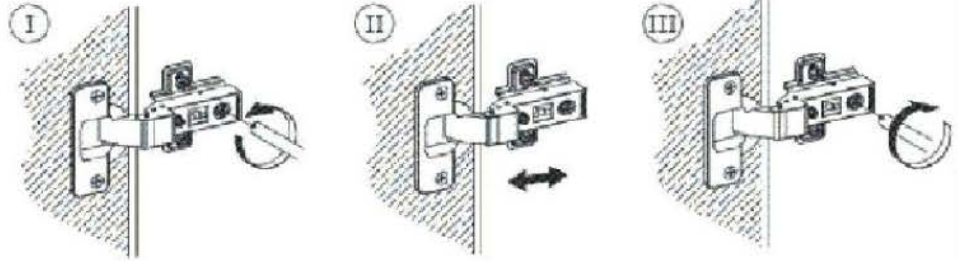
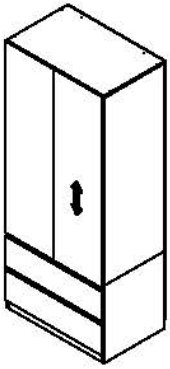


24

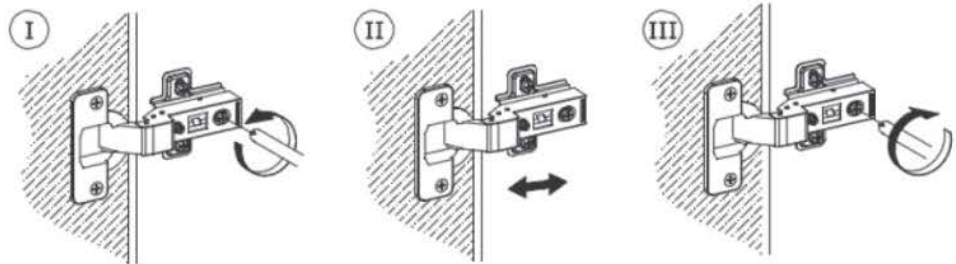
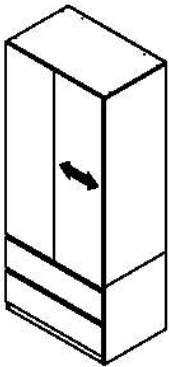
P x 2



Up & Down Adjustment



Left & Right Adjustment



Forward & Back Adjustment

