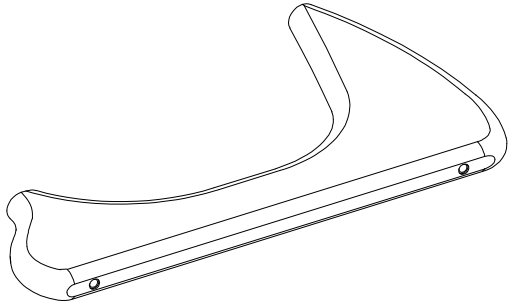
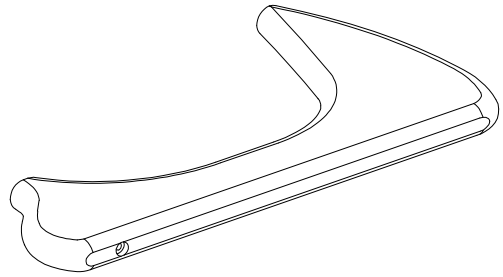


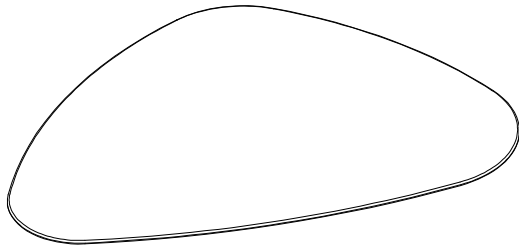
Part List



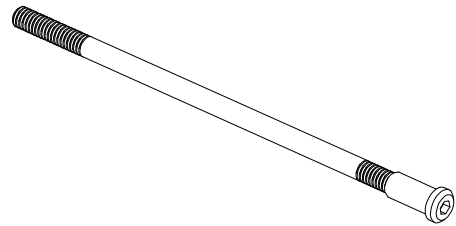
1pc



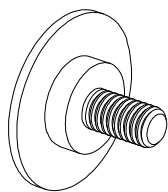
1pc



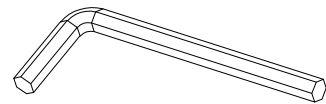
1pc



1pc

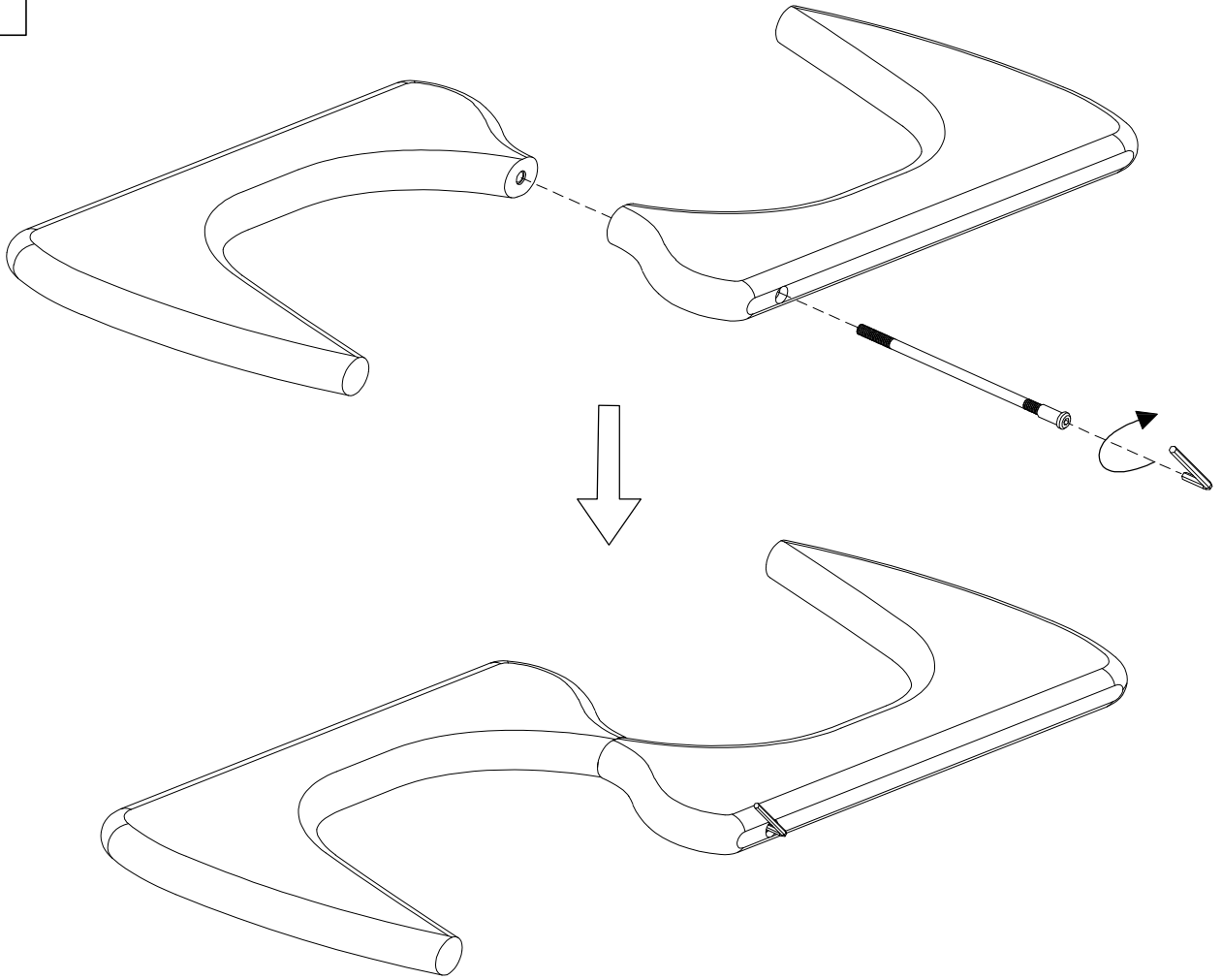


3pc

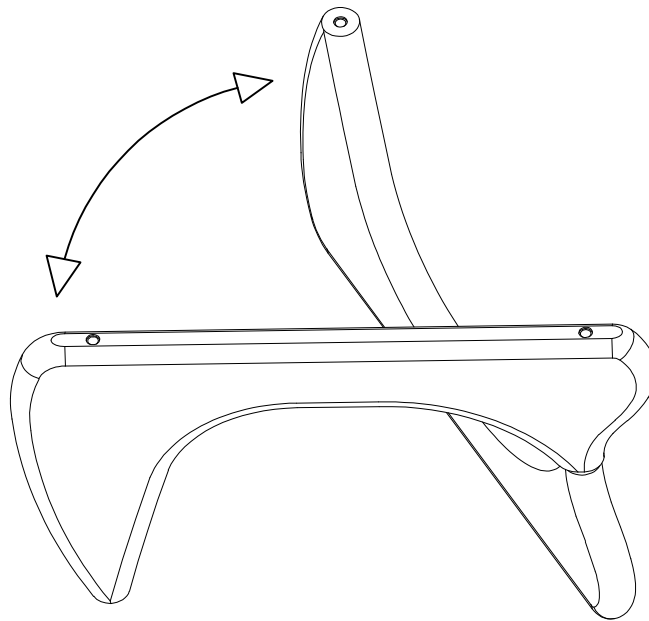


1pc

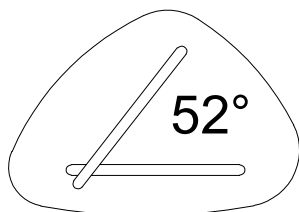
Step1



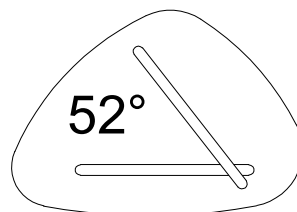
Step2



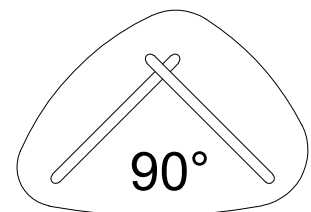
**Flexible
Layout**



1

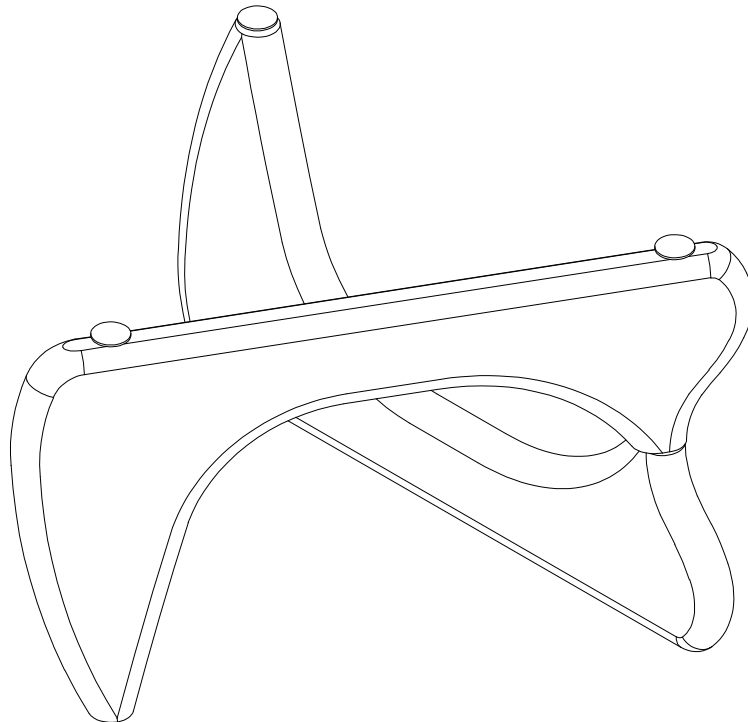
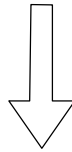
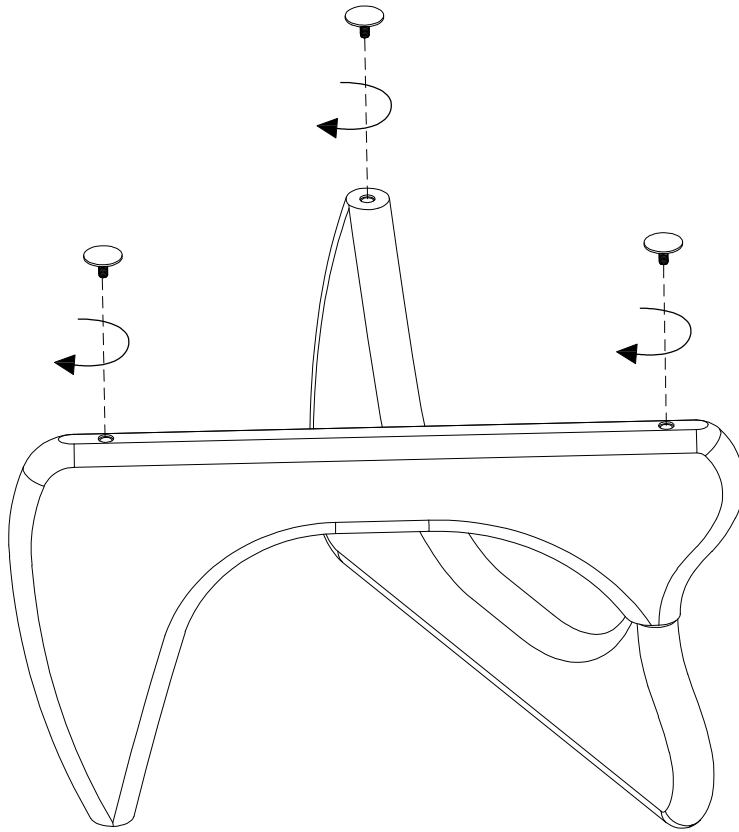


2

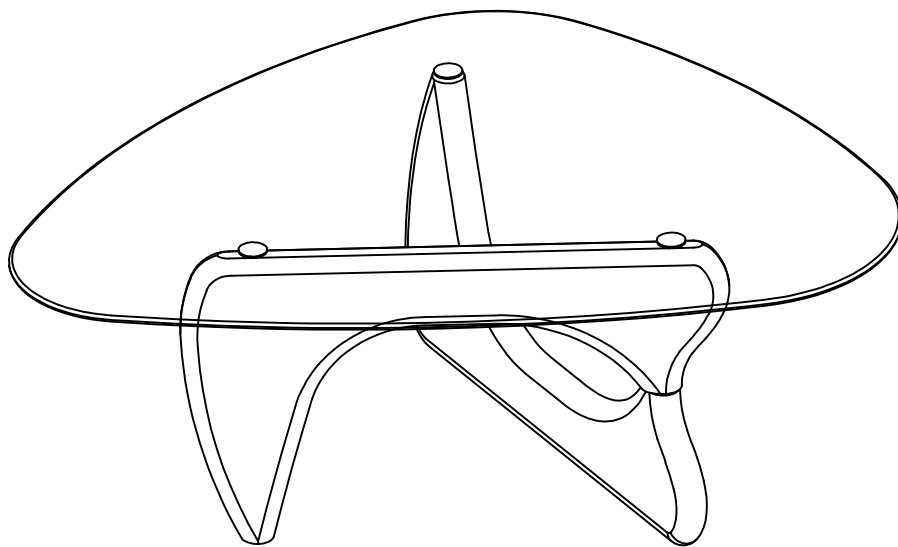
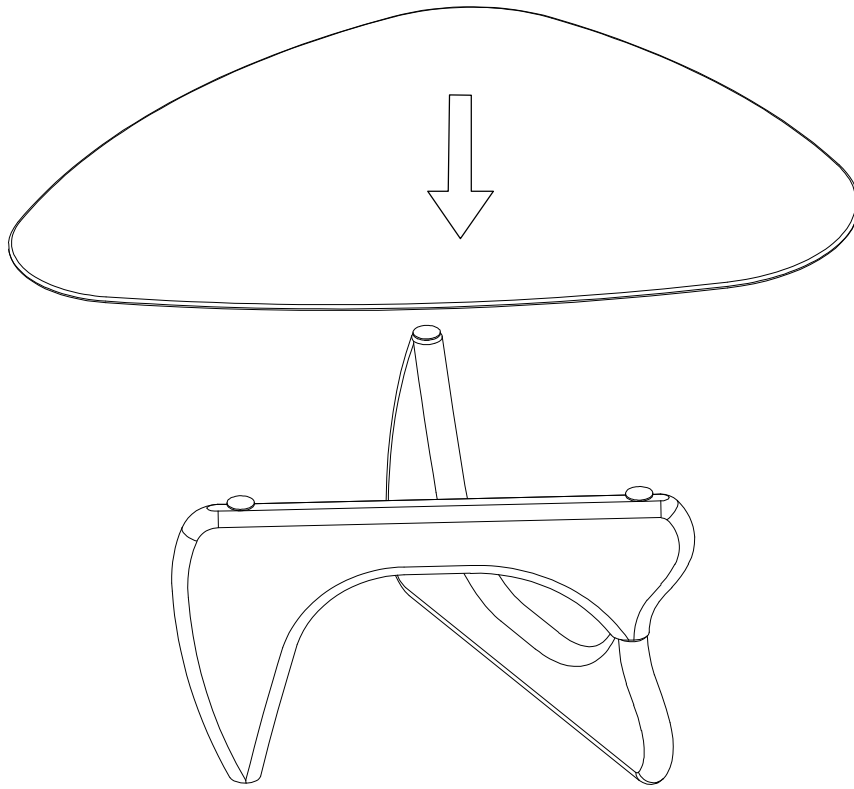


3

Step3



Step4



Finish