

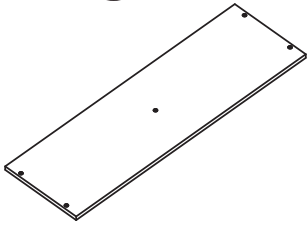
Dresser TV Stand

Instruction Manual



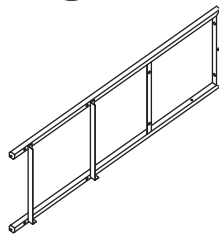
1 Component List

A X1



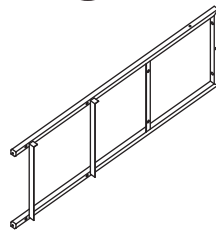
Top Board

B X1



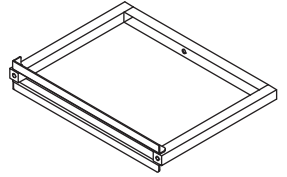
Side Frame

C X1



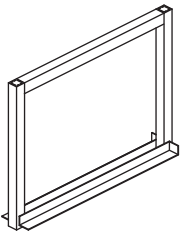
Side Frame

D X2



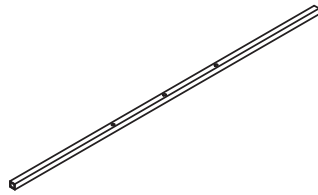
Middle Frame

E X1



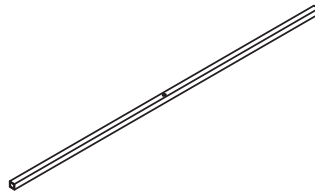
Middle Frame

F X2



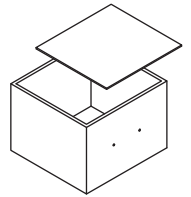
Cross Tube

G X3



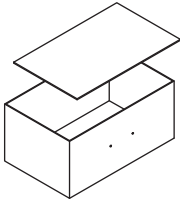
Cross Tube

H X3



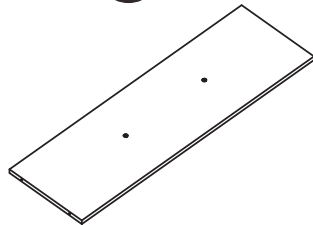
Drawer

I X2



Drawer

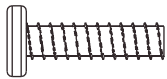
J X1



Middle Board

2 Supplied Parts and Hardware

1 X25



Bolts
M6x25mm

2 X4



Bolts
M6x12mm

3 X10



Bolts
M4x10mm

4 X5



Drawer Handle

5 X4



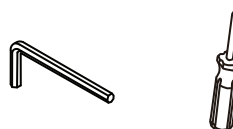
Adjusting Foot

6 X2

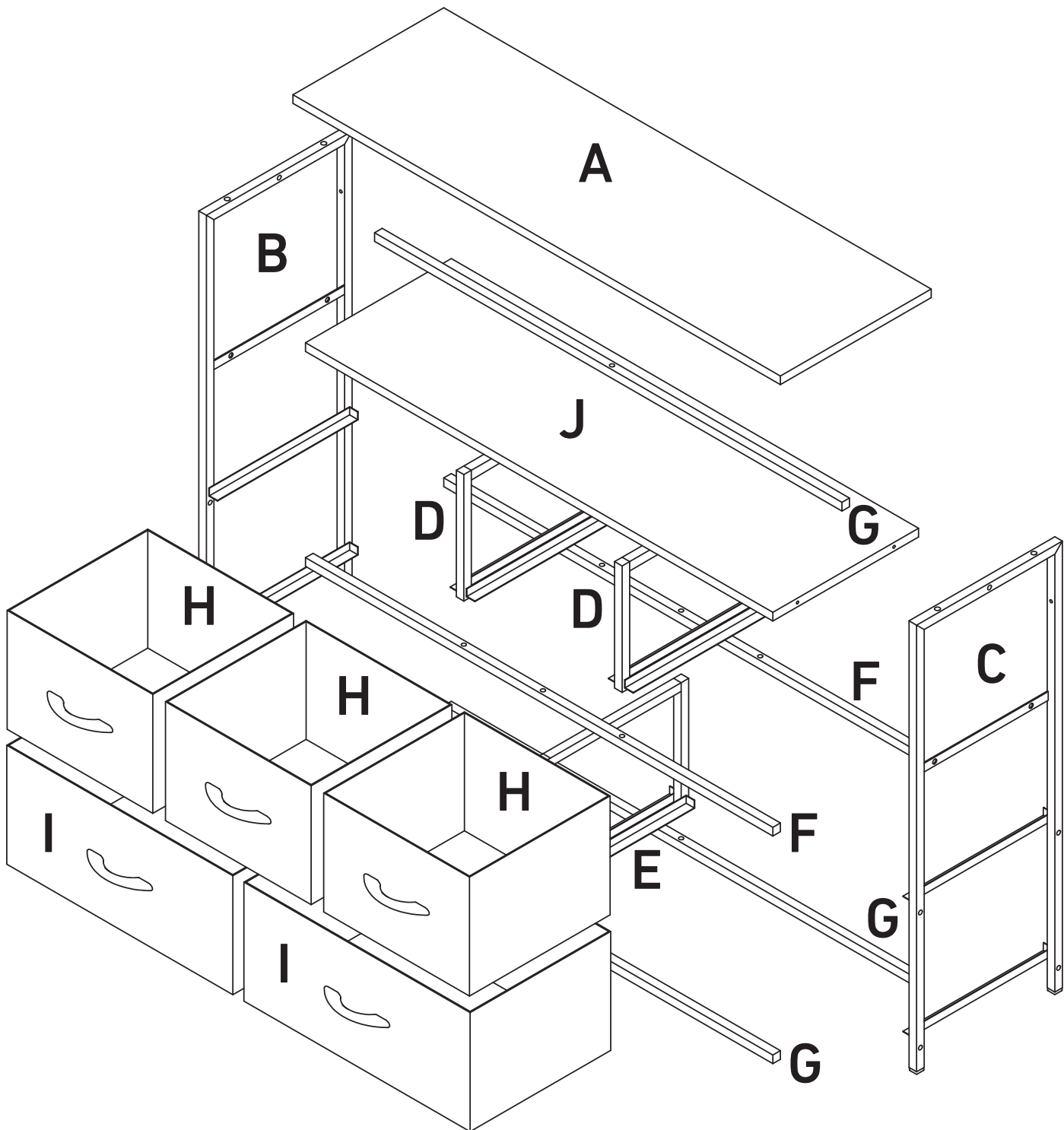


Bolts & Tube
M4x60mm

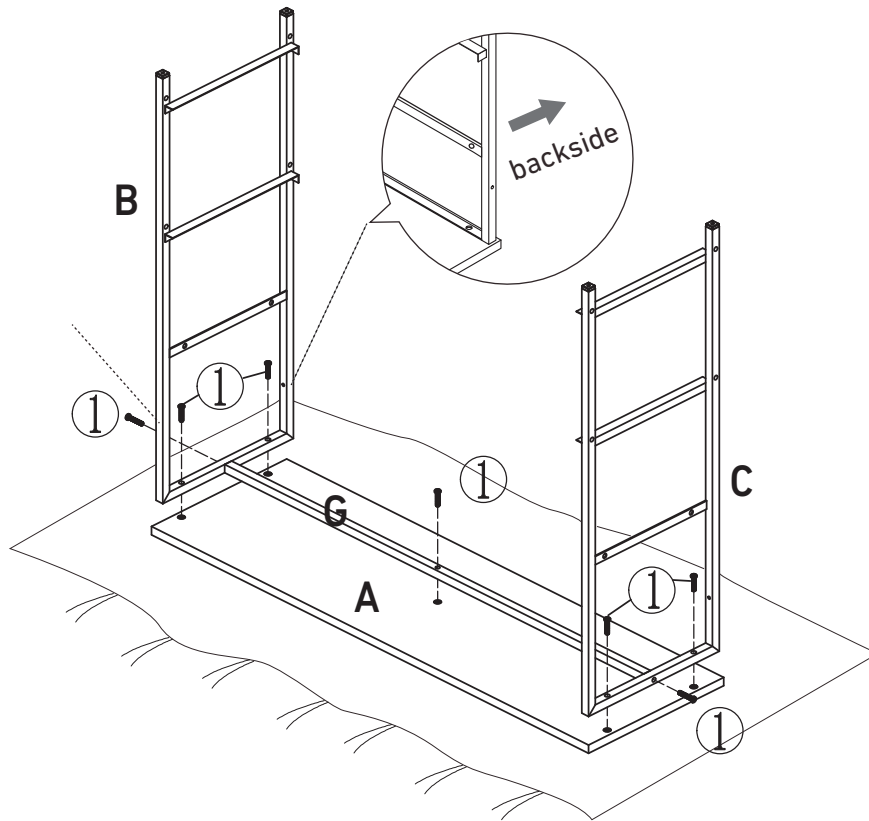
7



Wrench & Screwdriver



Step 1

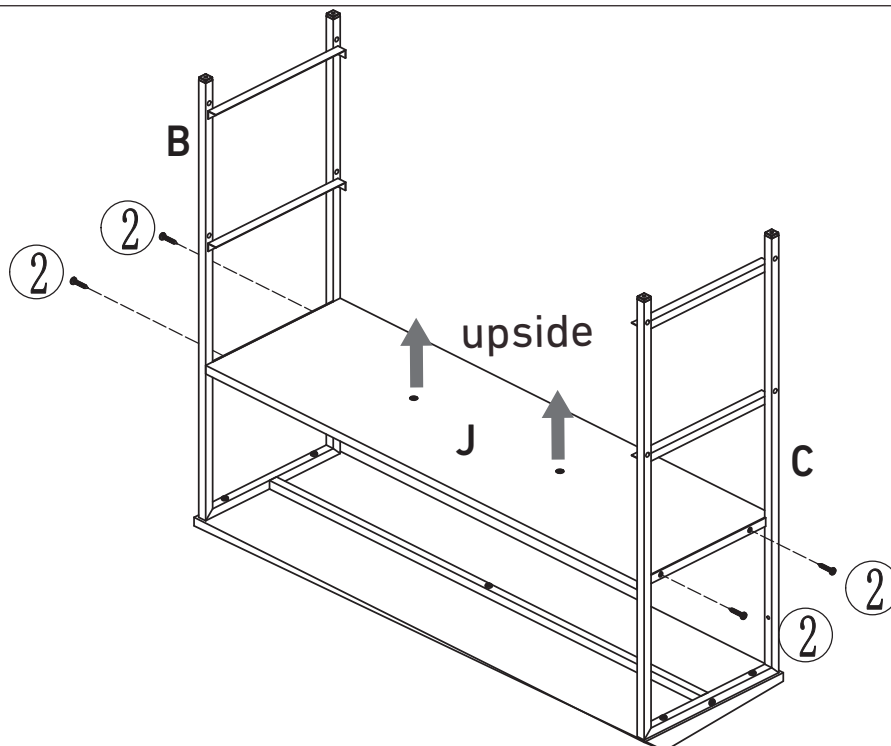


As shown, install Cross Tube (G) to the top of Side Frames (B&C) and fix (B&C&G) to the back of Top Board (A) with Bolts (1)*7.

NOTE:

1. Put a blanket under the Top Board to avoid scratches or damage.
2. Side Frames (B&C) face the same direction, with holes facing backward.

Step 2

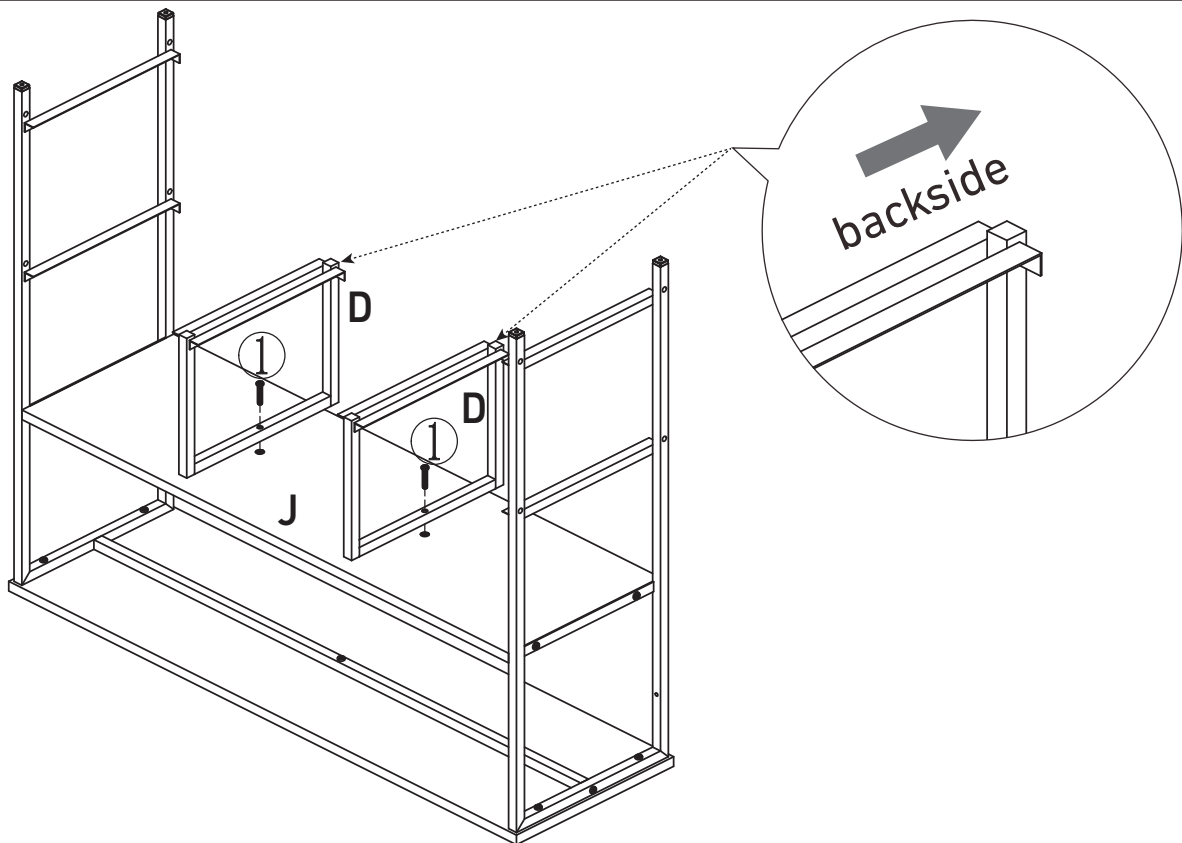


As shown, Install the Middle Board (J) to the Side Frames (B&C) with Bolts (2)*4.

NOTE:

- The back of Middle Board (J) with holes face upwards.

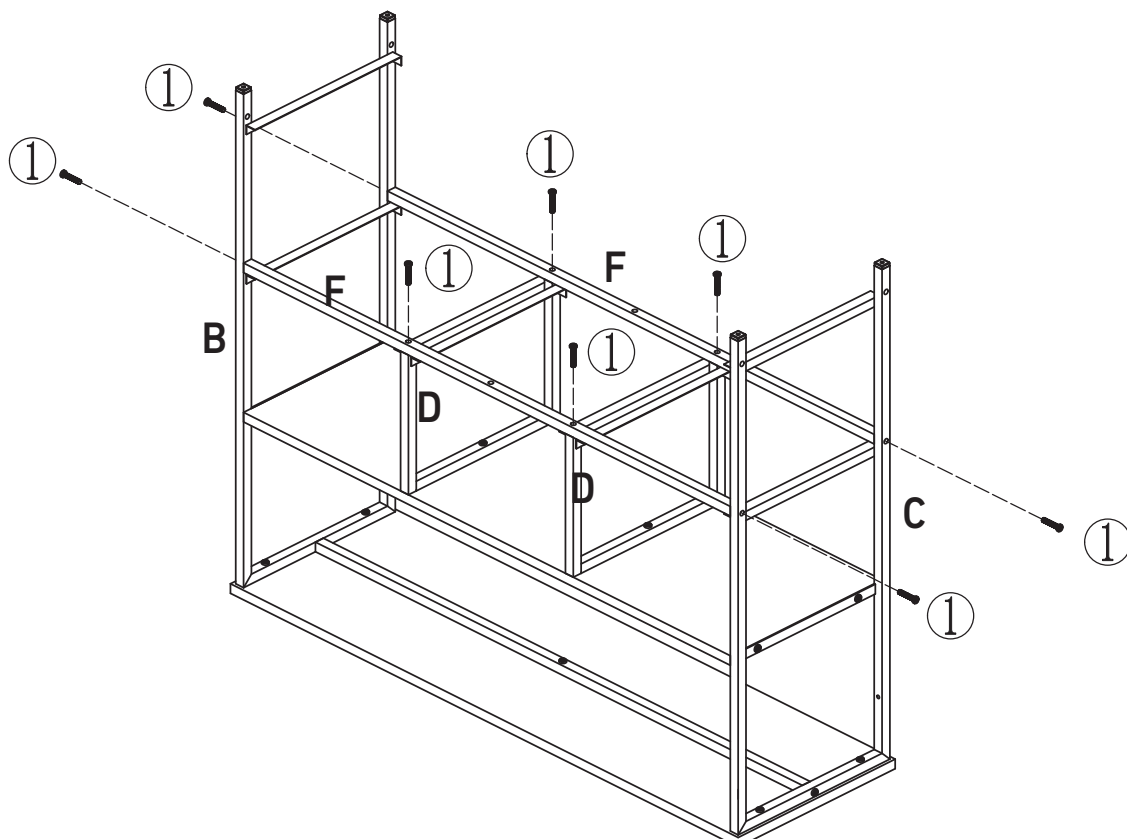
Step 3



Install Middle Frames (**D**)*2 to the Middle Board (**J**) with Bolts (**1**)*4.

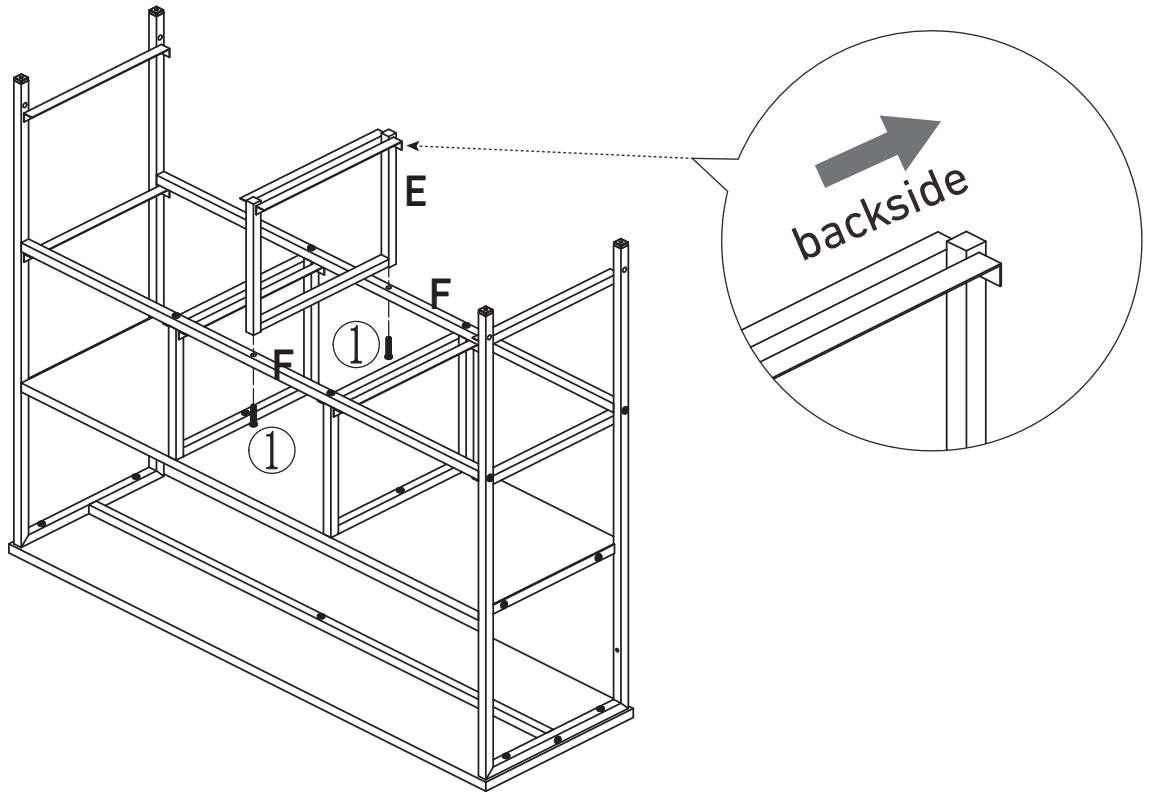
NOTE: Frames (**B&C&D**) face the same direction.

Step 4



Install Cross Tubes (**F**)*2 to the Frames (**B&C&D**) with Bolts (**1**)*8.

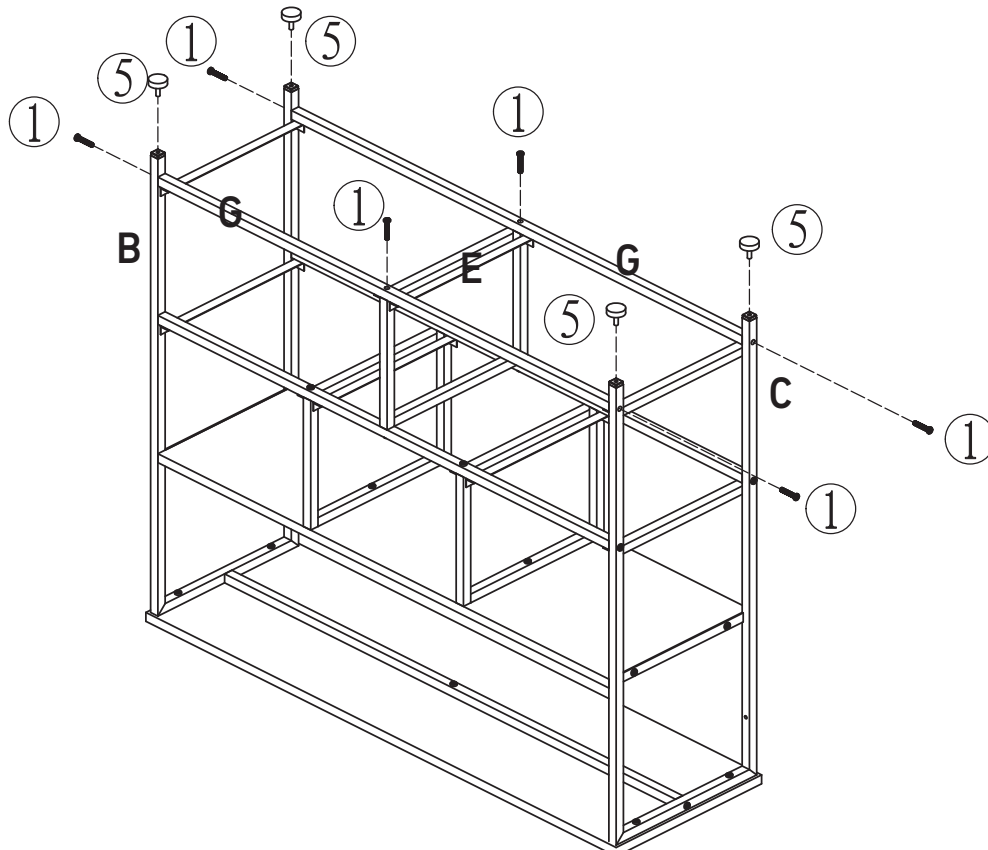
Step 5



Install Middle Frame (E) to Cross Tube (F) with Bolts (1)*2.

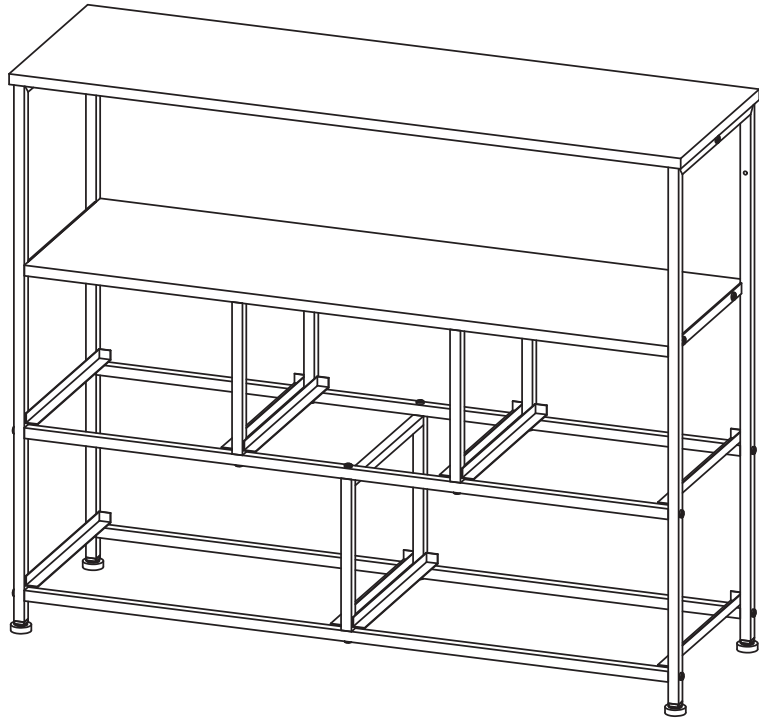
NOTE: Frames (B&C&E) face the same direction.

Step 6



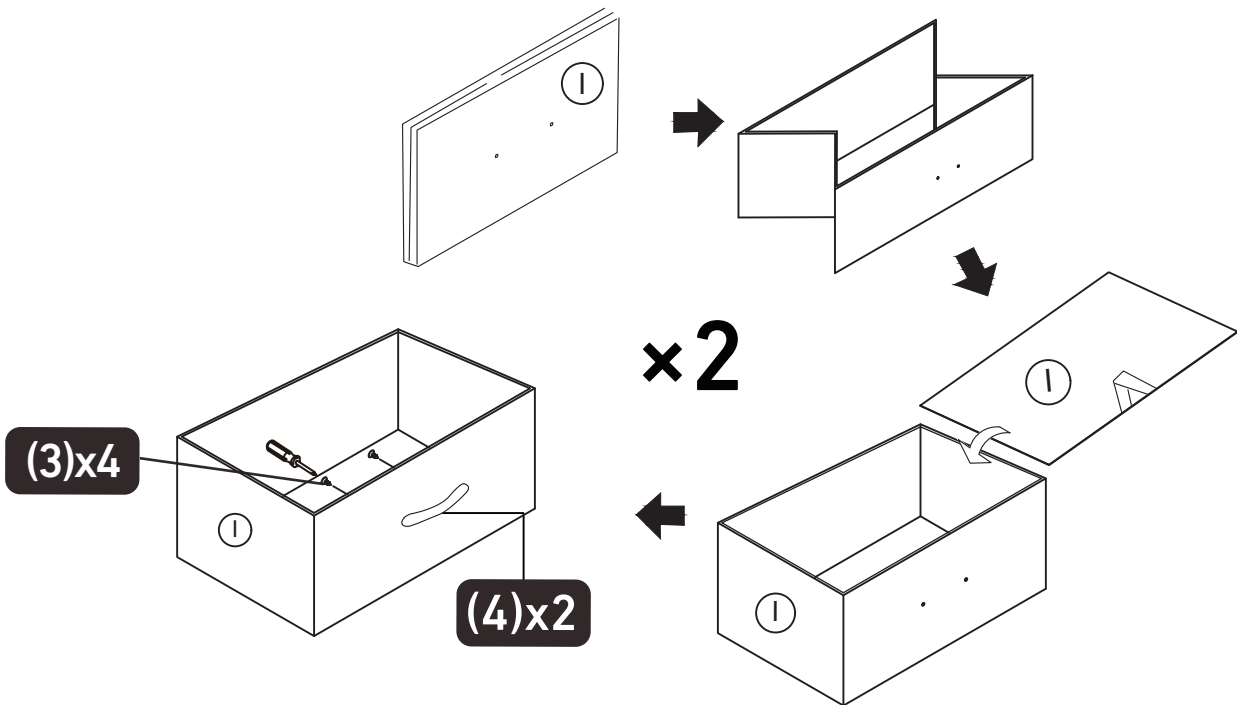
Install Cross Tube (G)*2 to the Frames (B&C&E) with Bolts (1)*6.
Then Install Adjusting Foot (5)*4 to the Side Frames (B&C).

Step 7



Turn the Dresser face up.

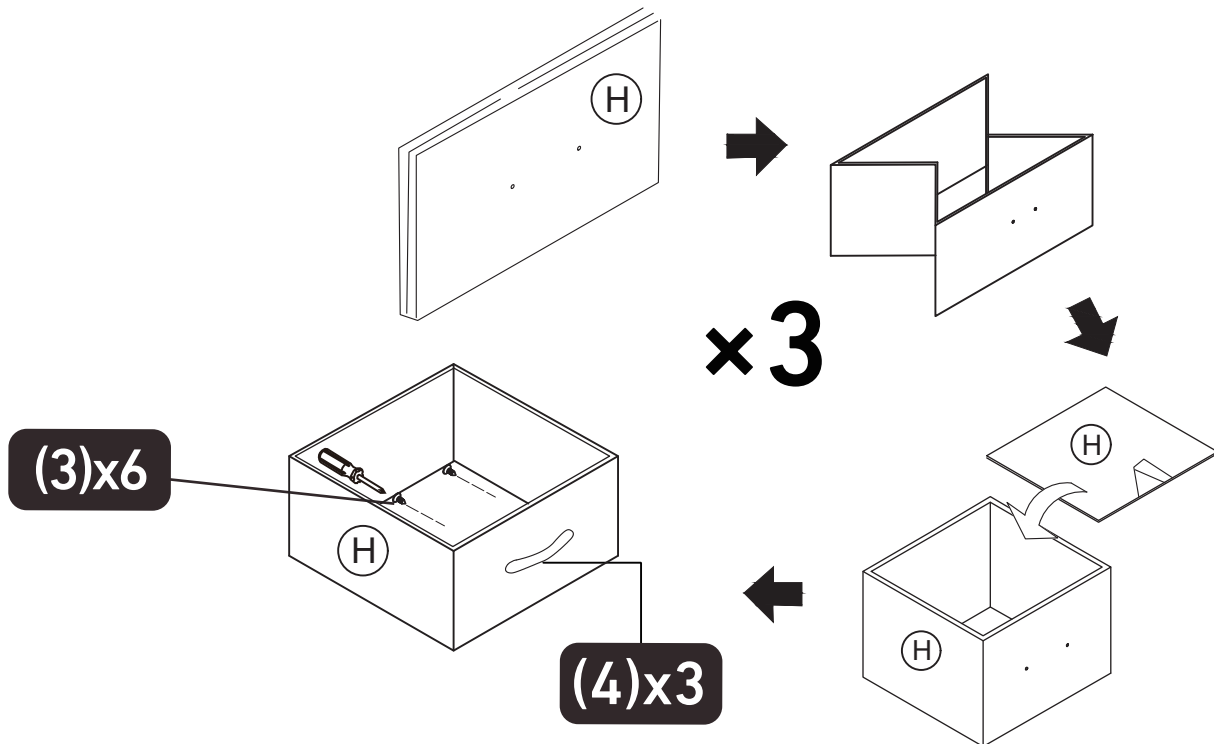
Step 8



Place Base Board for Drawer **(1)** into the expanded Drawer **(1)**, and install the Drawer Handle **(4)** with Bolts **(3)*2**.

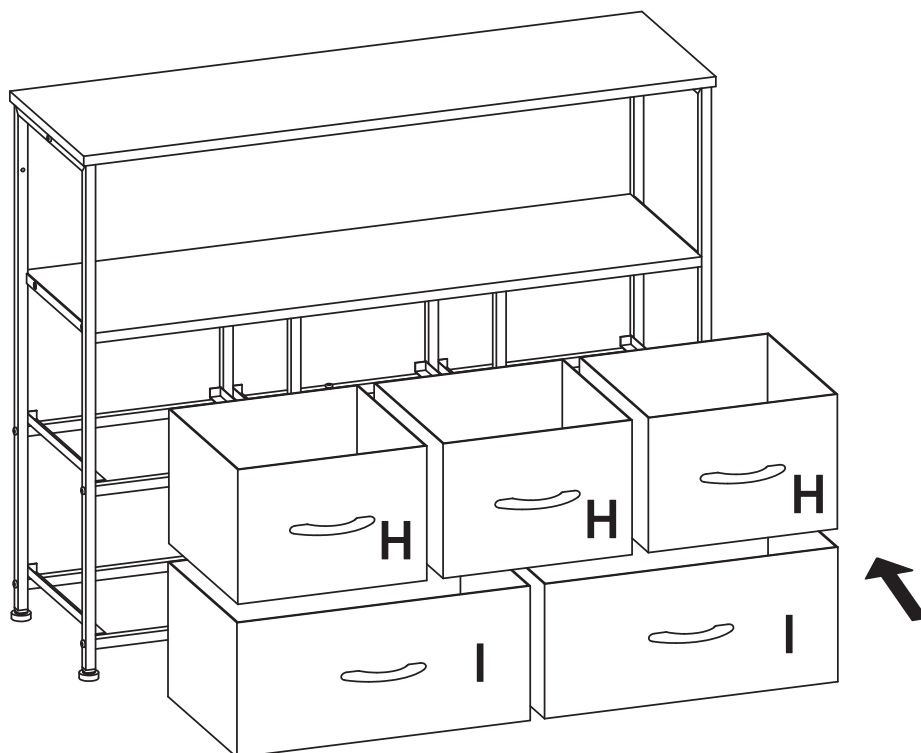
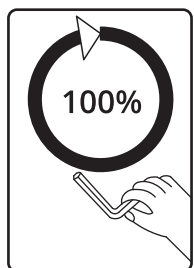
Install the two Drawers **(1)*2** in the same way.

Step 9



Install Drawer (H)*3, Base Board for Drawer(H)*3 and drawer handle (4)*3 in the same way as in the previous step.

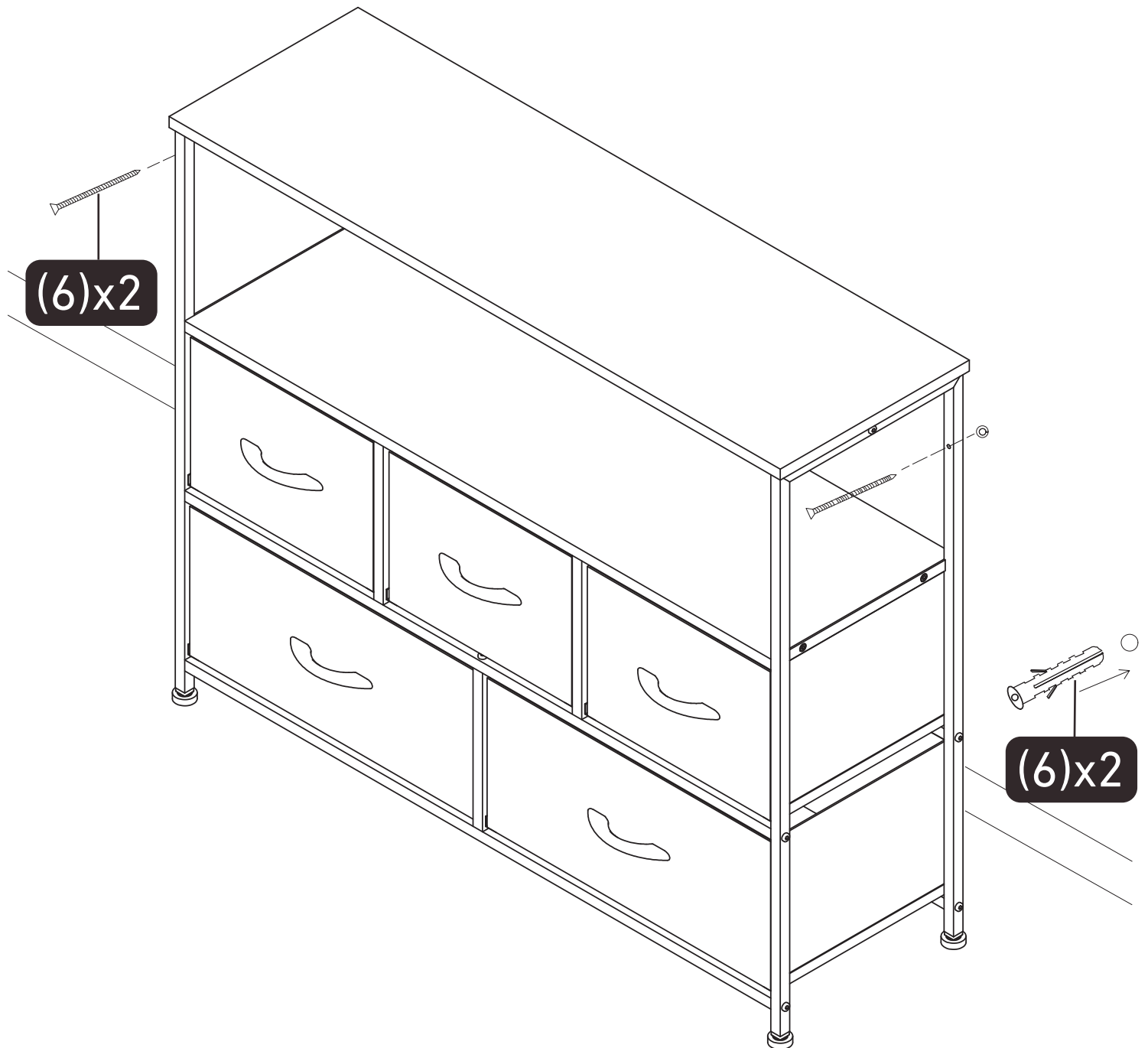
Step 10



Place the installed Drawers into the Dresser.

NOTE: Make sure all Bolts are 100% tightened before use.

Step 11



If you need to fix the Dresser TV Stand to the wall, drill holes in the wall with an electric drill, then insert Expansion Tube **(6)*2** and fix the Dresser TV Stand with Bolts **(6)*2**.

