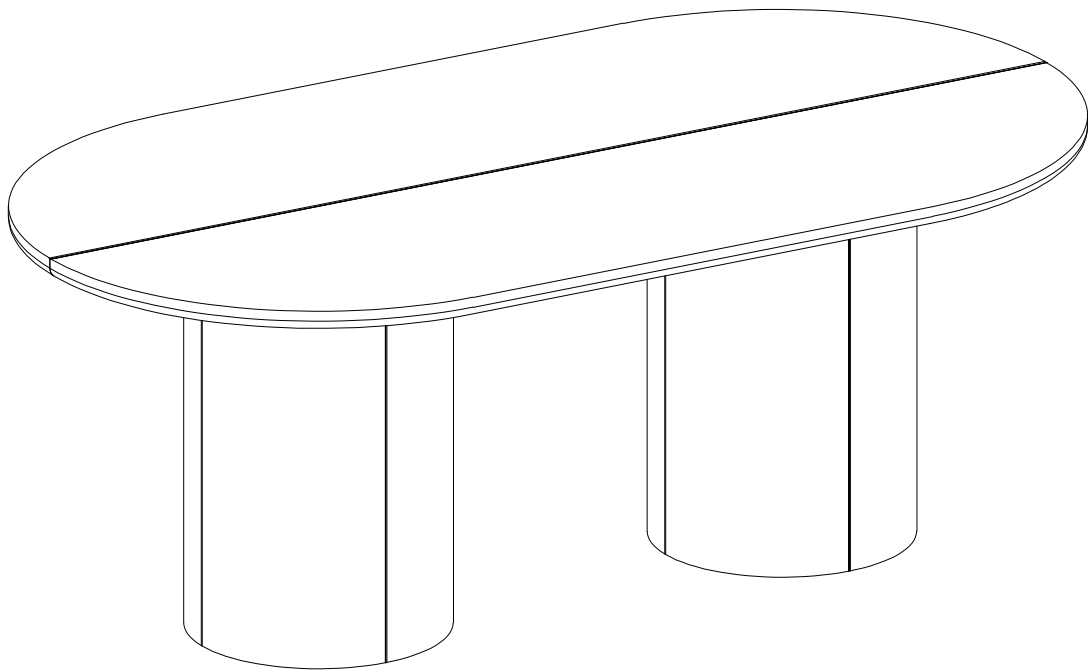


WALKER EDISON
TM

Maya 70" Oak Oval Dining Table

SKU# WEMYA12704



For Residential Use Only

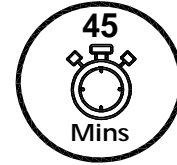
Please visit our website for the most current instructions, assembly tips, report damage, or request parts. www.walkeredison.com



Time to get started

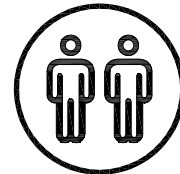
Set up a clean and soft workplace to get started and avoid damage during the assembly. It also helps to double-check that you've got all the pieces and parts before diving in to assembly.

Estimated time for assembly



People recommended for assembly

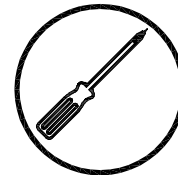
Make it a team effort! Grab a friend for quicker, easier assembly.



2 People Build

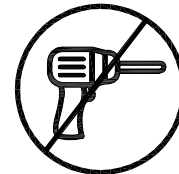
Tools Needed

Grab a Phillips head screwdriver to conquer this assembly



Use power tools with caution

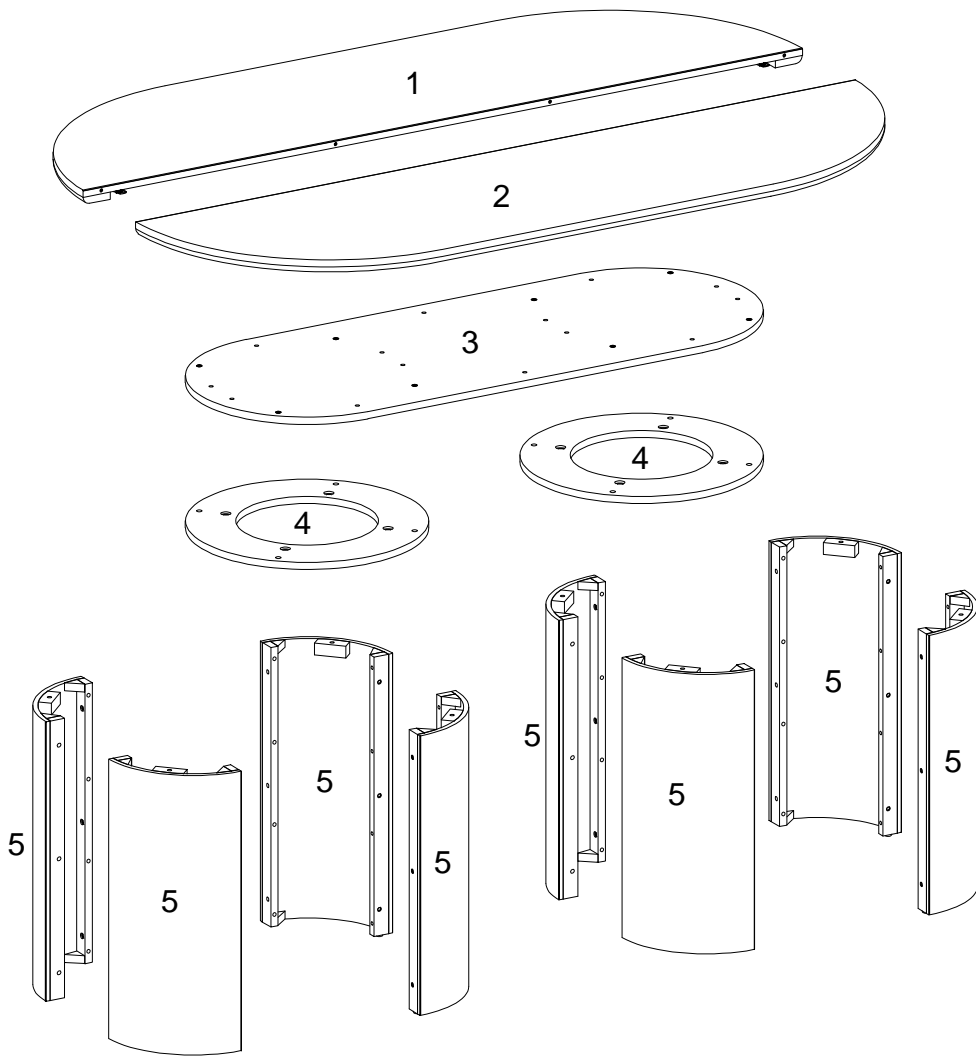
You can cause cracking or damage to the material and easily strip the hardware. If you choose to use a power tool, your product will no longer be covered under Walker Edison's warranty.



Maya

Scan to get assembly tips and help!







WE Parts List



Part Number	Description	Quantity
1	Back Tabletop	1
2	Front Tabletop	1
3	Tabletop Thickened Panel	1
4	Support Panel	2
5	Leg Frame Parts	8



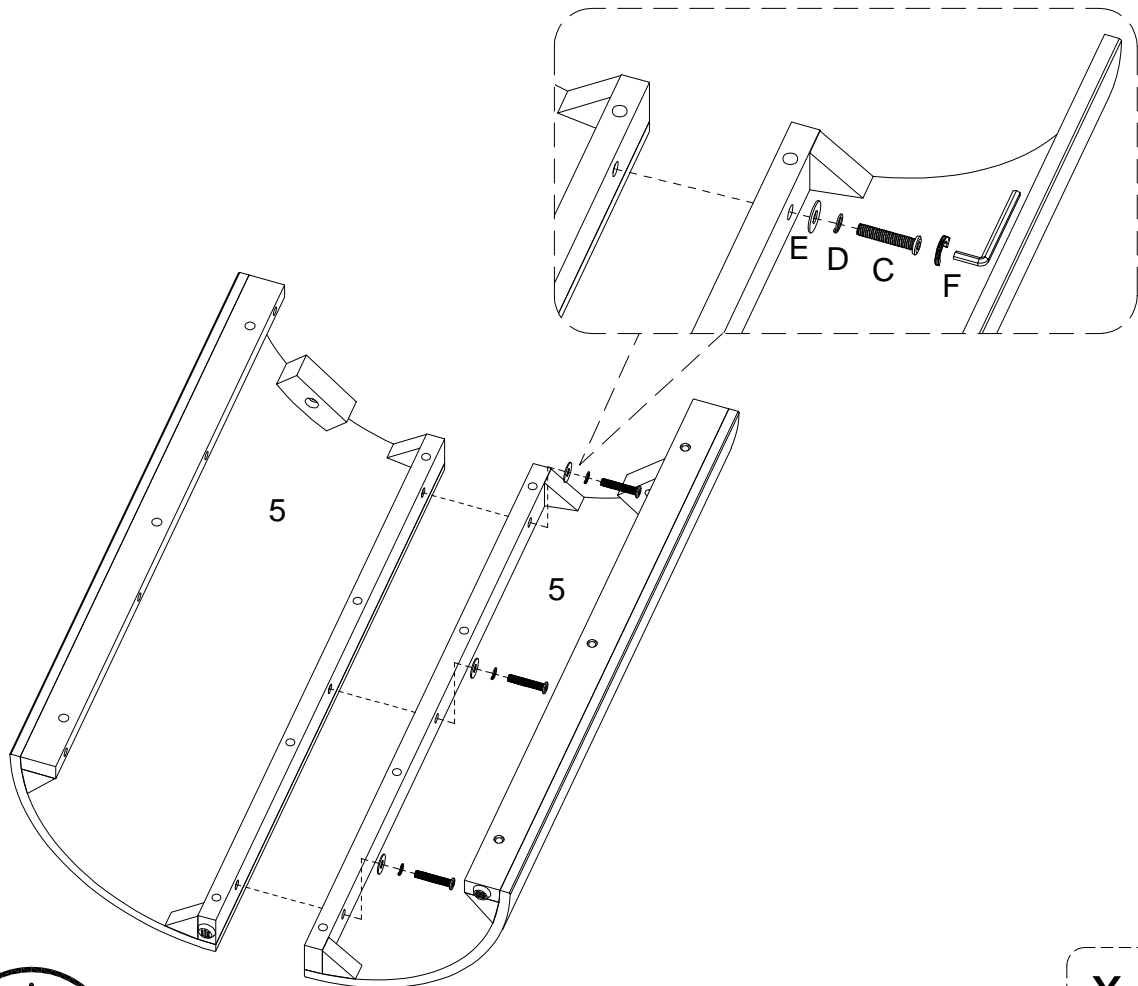
Hardware List

Part	Size	Name	Quantity
A	 5/16"x25mm	Bolt	14
B	 5/16"x35mm	Bolt	16
C	 5/16"x40mm	Bolt	24
D	 5/16"x13x1.0mm	Lock washer	54
E	 5/16"x22x1.5mm	Washer	54
F	 M5	Hex key	1

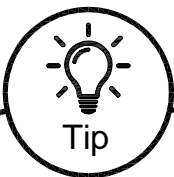
*The hardware quantities listed above are required for proper assembly.
Extra hardware pieces may be included.*

Step 1

Let's get started! Grab two Leg Frame Pieces (5) and attach them using Washers (E), Lock Washers (D) and Bolts (C). Tighten with your Hex Key (F).



x 4



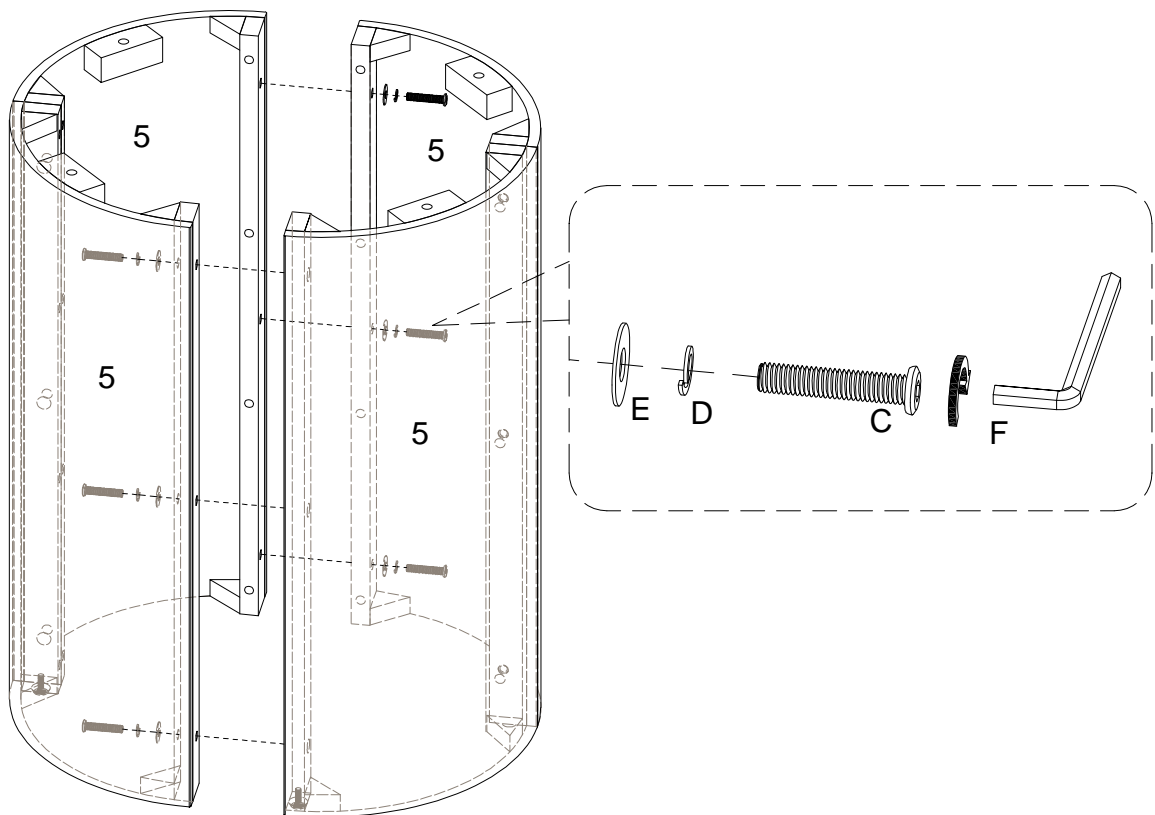
Tip



Do not tighten bolts / screws completely until all bolts / screws are lined up and inserted into holes. Tighten only to 75% for now.

Step 2

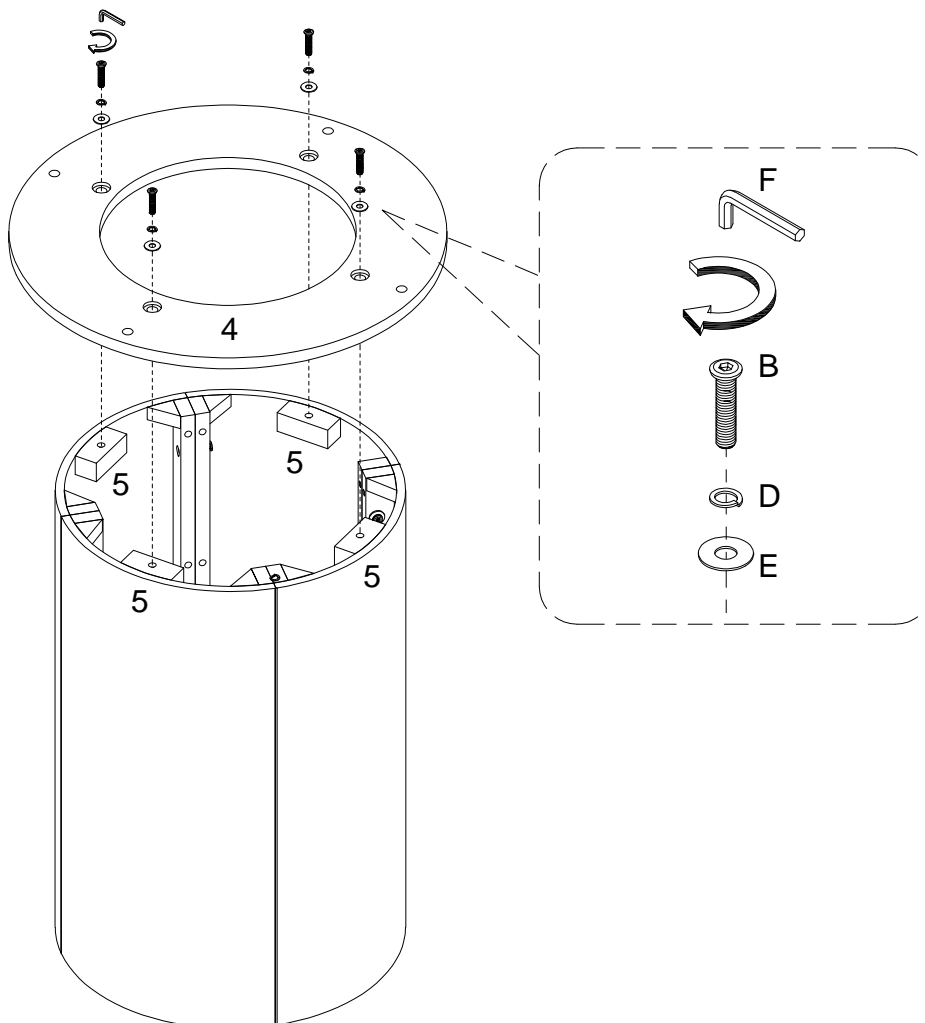
Next, let's join the frame halves together using the same Washers (E), Lock Washers (D), and Bolts (C). Once everything is lined up, let's secure them into place using the Hex Key (F) to tighten the bolts —secure them to 100% tightness.



x 2

Step 3

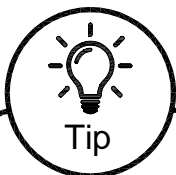
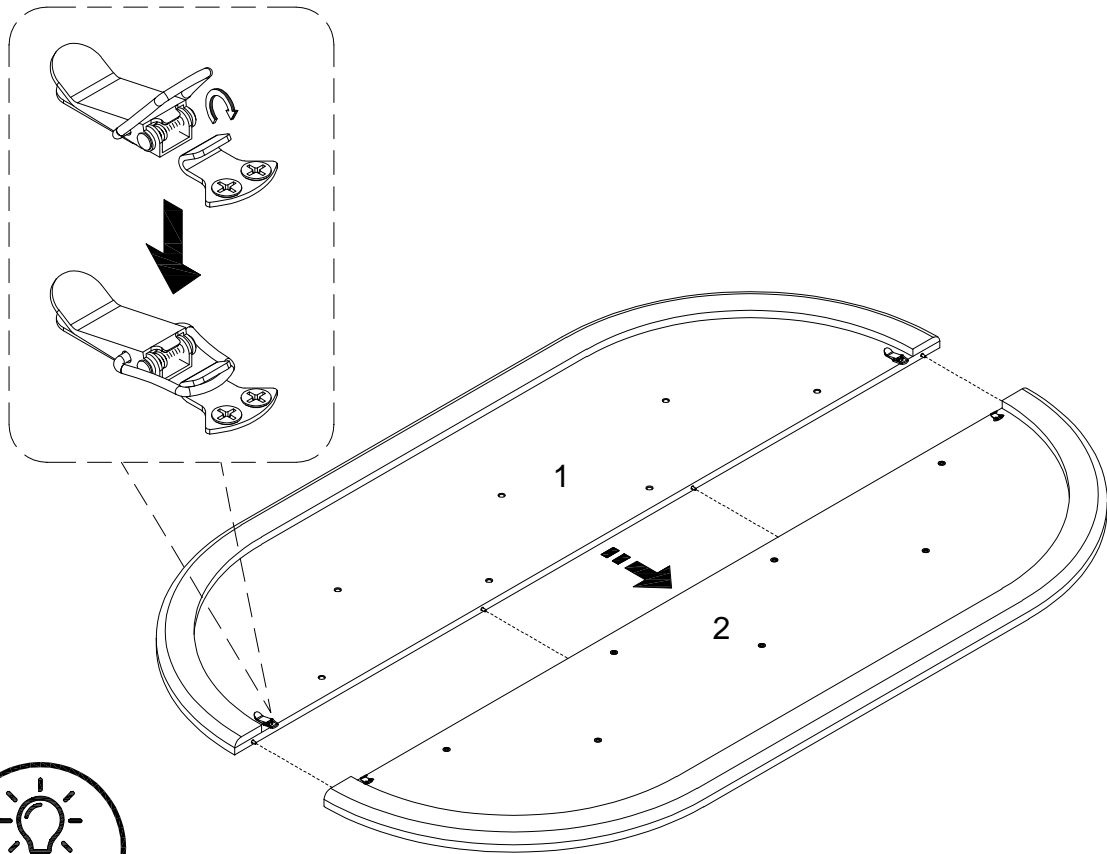
Attach the Support Panels (4) to your Leg Frames (5) using Washers (E), Lock Washers (D), and Bolts (B). Secure everything with the Hex Key (F).



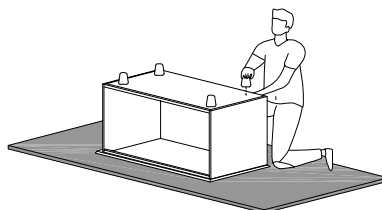
x 2

Step 4

Now let's get started on that Tabletop! Take the Back Tabletop (1) and the Front Tabletop (2), push them together and lock into place using the side latches.

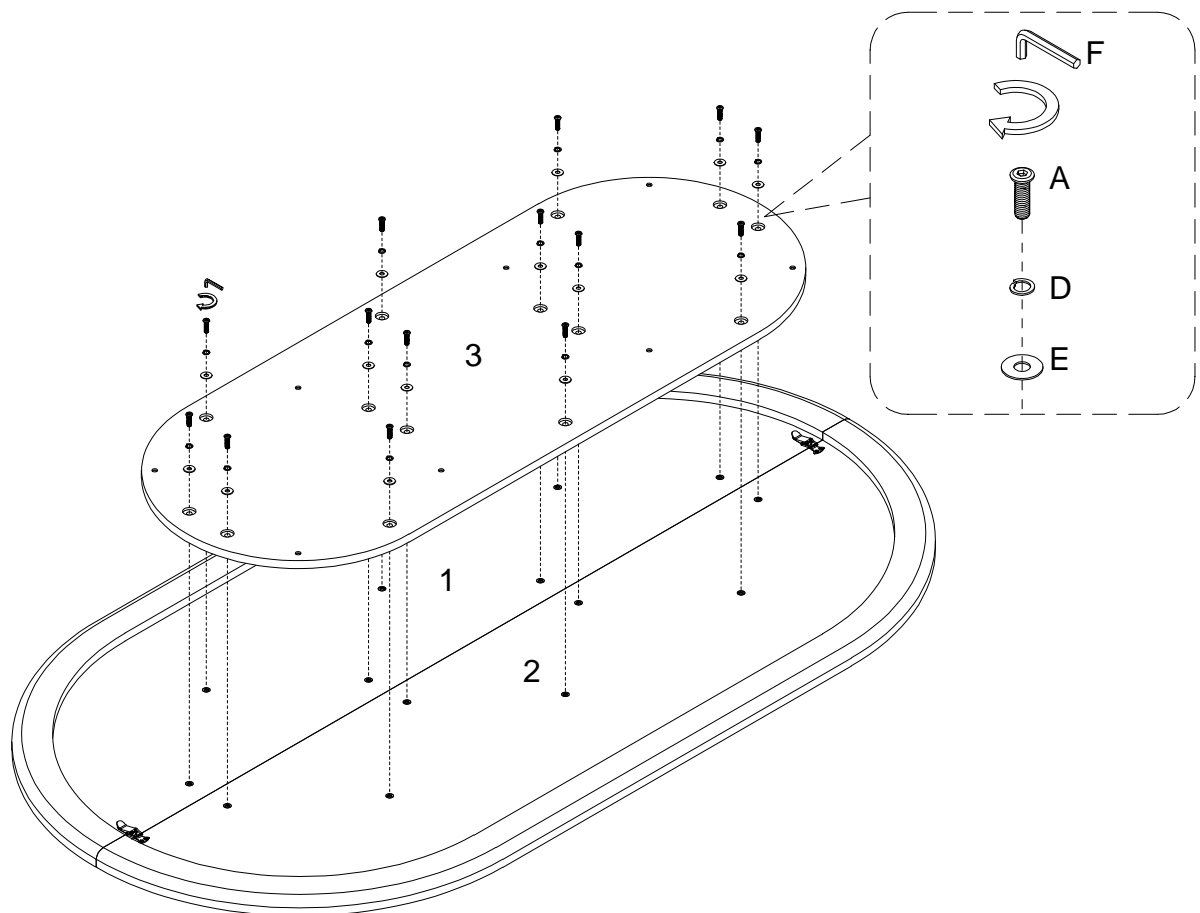


To keep your product looking its best and scratch-free, try assembling it on a soft surface like carpet or a blanket. This helps prevent any accidental scratches and keeps your furniture in top shape!



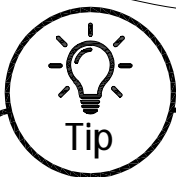
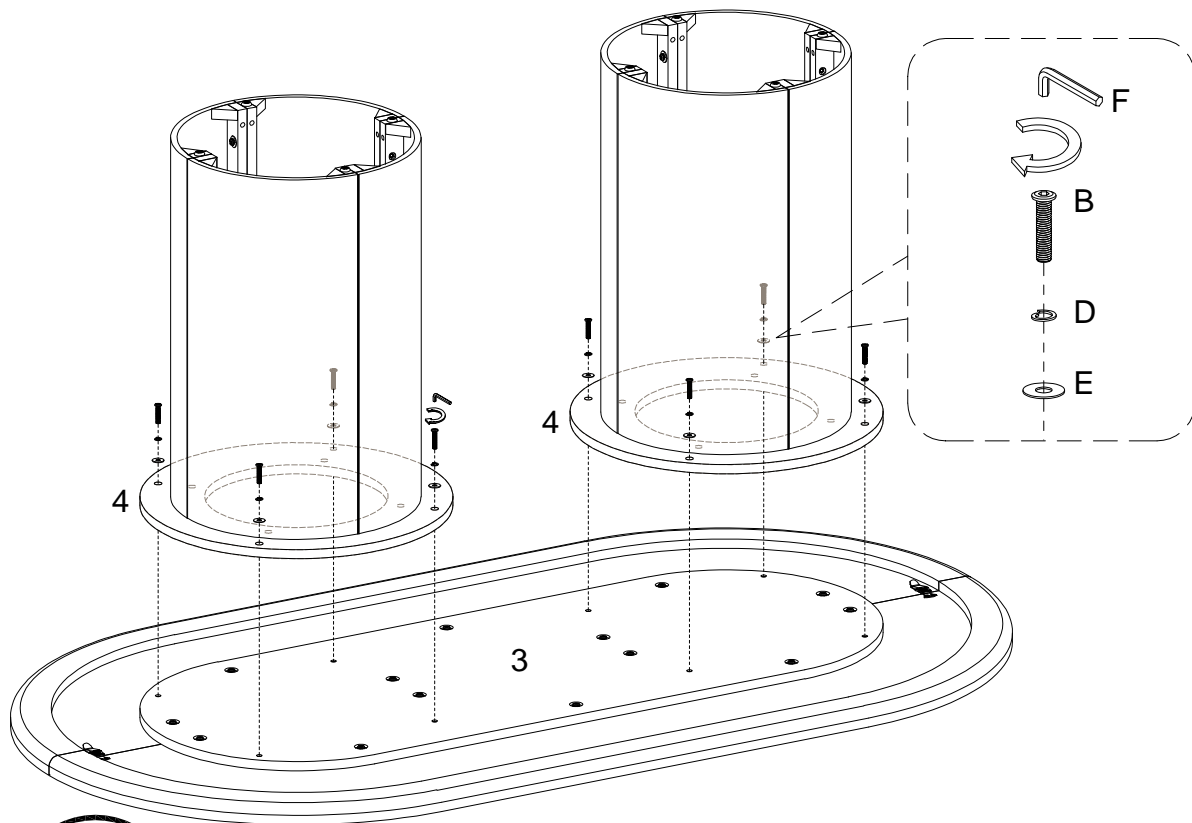
Step 5

Almost there! Lay the Tabletop Thickened Panel (3) down on your tabletop, and secure with Washers (E), Lock Washers (D), and Bolts (A). Tighten everything up with your Hex Key (F).



Step 6

Now, let's get those legs attached! One last time, use your Washers (E), Lock Washers (D), Bolts (B) and Hex Key (F) to secure everything.



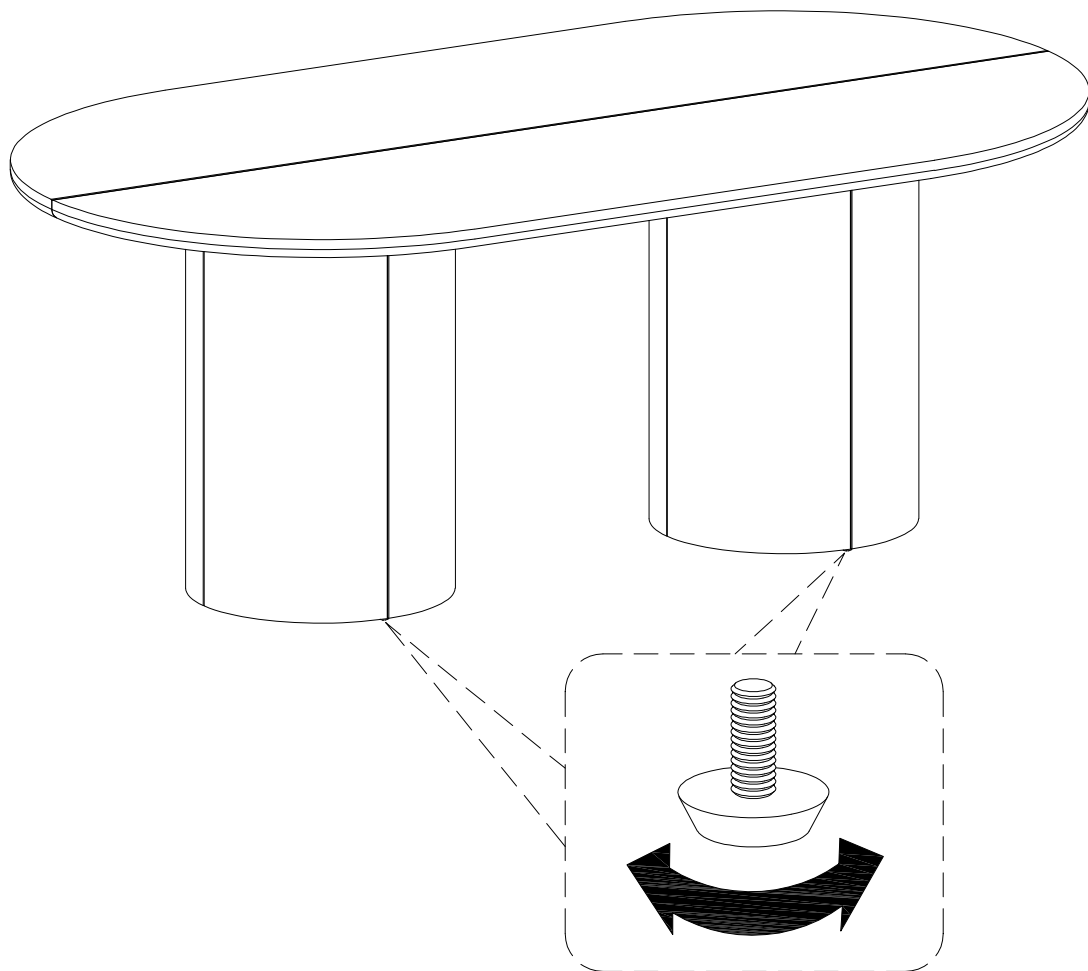
Tip



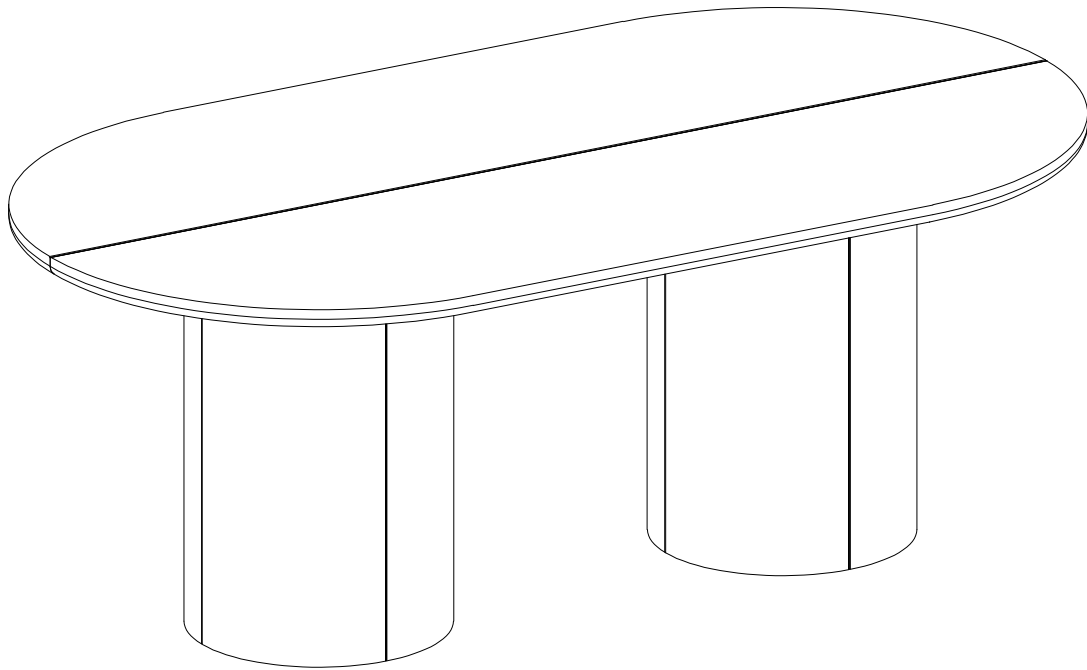
Carefully flip the table over on a flat surface and make sure the legs are touching the ground evenly before tightening everything to 100%

Step 7

To finish off, just adjust the legs to create an even surface. And just like that... You did it! Congratulations, and enjoy your beautiful new table!



Final Assembly



Congratulations on your new piece of furniture!

We would love to hear about it and see it.
Please leave us a review or post a picture with
[#mywalkerredisonhome](#)

Assembling furniture can be tricky sometimes.

Our customer service team, located in Utah, is here for product information, help assembling a product, or for any other customer support issue

Call us at **801-433-3008**

Email us at service@walkeredison.com

Visit our Customer Service website at
walkeredison.com/pages/customer-service

We are available to help Monday -Thursday 8am-5pm, Friday
8am-3pm MST

For details on Assembly Videos, Assembly Instructions,
Replacement Parts, and Customer service,
SCAN HERE

