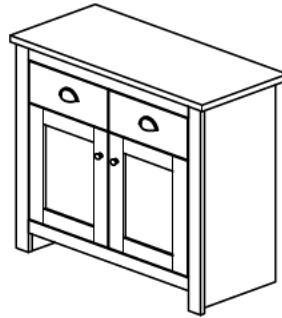


# TIMBER ART DESIGN UK

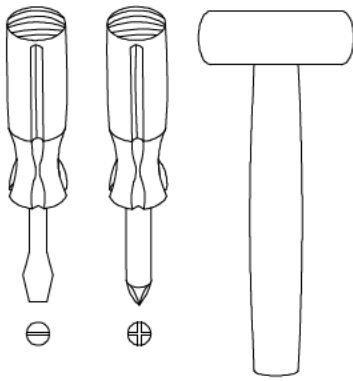
## ASSEMBLY INSTRUCTIONS



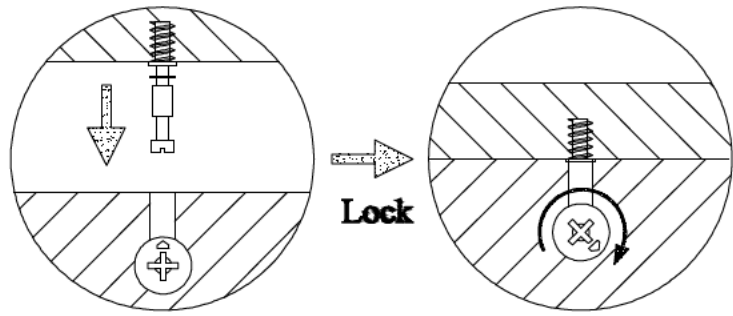
**IMPORTANT  
PLEASE READ BEFORE YOU CONTINUE FURTHER**

### WARNING AND INSTRUCTIONS

- PLEASE KEEP THE ORIGINAL PACKAGING UNTIL THE ITEM IS FULLY ASSEMBLED AND IN PLACE. IN THE UNLIKELY EVENT THAT YOU NEED TO RETURN YOUR PRODUCT, IT MUST BE RETURNED IN ITS ORIGINAL PACKAGING TO AVOID FURTHER DAMAGE. FAILURE TO COMPLY TO THESE PROCEDURES, NO RETURN'S WILL BE ACCEPTED.
- IMPORTANT: RETAIN THESE INSTRUCTIONS FOR FUTURE REFERENCE.
- DUE TO THE SIZE OF THIS PRODUCT WE RECOMMEND THAT IT IS ASSEMBLED IN THE ROOM INTENDED FOR USE.
- WHEN YOU ARE READY TO START, MAKE SURE THAT YOU HAVE THE RIGHT TOOLS, PLENTY OF SPACE AND A CLEAN, DRY AREA FOR ASSEMBLY.
- UNWRAP ALL PACKAGING MATERIALS AND PLACE THE COMPONENTS ON TOP OF THE CARTON BOX OR ON A CLEAN FLOOR TO PREVENT IT FROM SCRATCHING.
- CHECK THE PACK AND MAKE SURE YOU HAVE ALL THE PARTS LISTED.
- ENSURE THAT THIS PRODUCT IS FULLY ASSEMBLED AS ILLUSTRATED BEFORE USE.
- TOOLS NOT INCLUDED.
- CHECK ALL SCREWS OR BOLTS ARE TIGHTENED AND INSPECT REGULARLY.
- THIS PRODUCT SHOULD ONLY BE USED ON FIRM LEVEL GROUND.
- KEEP SMALL PART OUT OF REACH OF CHILDREN.
- MAKE SURE THE LEGS REMAIN IN CONTACT WITH THE GROUND.
- DO NOT USE POWER TOOLS TO CONSTRUCT THIS PRODUCT.
- DO NOT TIGHTENED SCREWS UNTIL FULLY ASSEMBLED.
- DO NOT OVER TIGHTENED SCREWS OR BOLTS.
- DO NOT USE THIS PRODUCT IF PARTS ARE MISSING, DAMAGE OR WORN.
- DO NOT SIT AND STAND ON THE PRODUCT.
- TO CLEAN WIPE WITH A SPONGE AND WARM SOAPY WATER. DO NOT USE SOLVENT BASED CLEANERS OR DETERGENTS AS THEY CAN BLEACH OR DAMAGE THE PRODUCT.
- NEVER USE SCOURERS, ABRASIVES OR CHEMICAL CLEANERS.

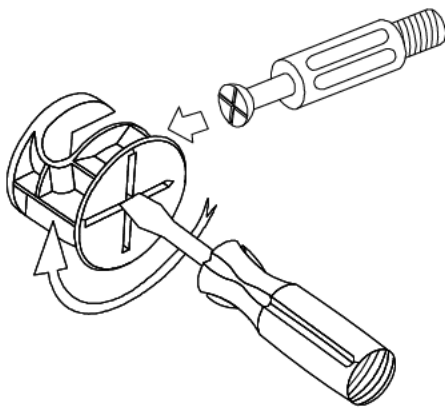


**(Tools not provided)**



**Use a flat blade screwdriver to tighten the cam nuts. A quarter turn clockwise is all that is needed.**

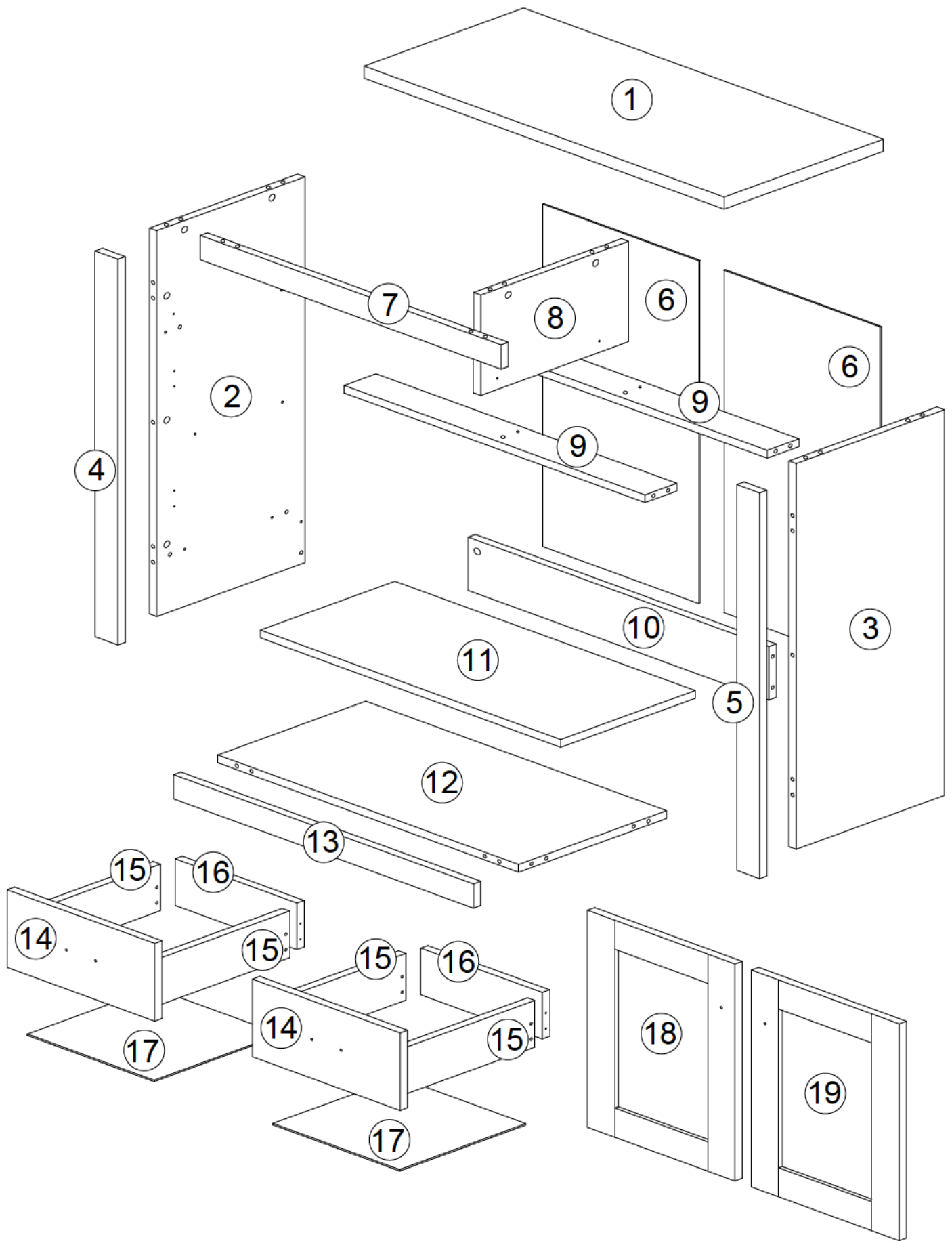
## **This is how a cam nut works.....**



**The head of the cam bolt goes into the open mouth of the cam nut. You then turn the cam nut so it tightens over the bolt.**

## **TWO PERSONS REQUIRED TO ASSEMBLE THIS PRODUCT**

- 1. Please check that you have all the parts listed before you start assembling. If you do find that something is missing, do not continue assembly. Please contact your supplier immediately.**
- 2. Lay out all of the components on a soft surface as if you were preparing to do a jigsaw puzzle.**
- 3. Separate and identify each component from the hardware pack and rest each one in its proper location before fastening.**





















THE USE OF POWER TOOLS TO ASSEMBLE THIS PRODUCT WILL INVALIDATE ANY CLAIM AND MAY DAMAGE THIS PRODUCT MAKING IT UNSAFE.



## PARTS LIST

NO.	PARTS					QTY
1	790	X	350	X	25	1 PC
2	795	X	325	X	25	1 PC
3	795	X	325	X	15	1 PC
4	795	X	50	X	15	1 PC
5	795	X	50	X	15	1 PC
6	700	X	344	X	2.5	2 PCS
7	658	X	50	X	15	1 PC
8	207	X	324	X	15	1 PC
9	660	X	68	X	15	2 PCS
10	660	X	110	X	15	1 PC
11	659	X	295	X	15	1 PC
12	660	X	325	X	15	1 PC
13	658	X	50	X	15	1 PC
14	324	X	160	X	15	2 PCS
15	300	X	96	X	15	4 PCS
16	266	X	96	X	15	2 PCS
17	300	X	296	X	2.5	2 PCS
18	447	X	324	X	15	1 PC
19	447	X	324	X	15	1 PC

## HARDWARE LIST

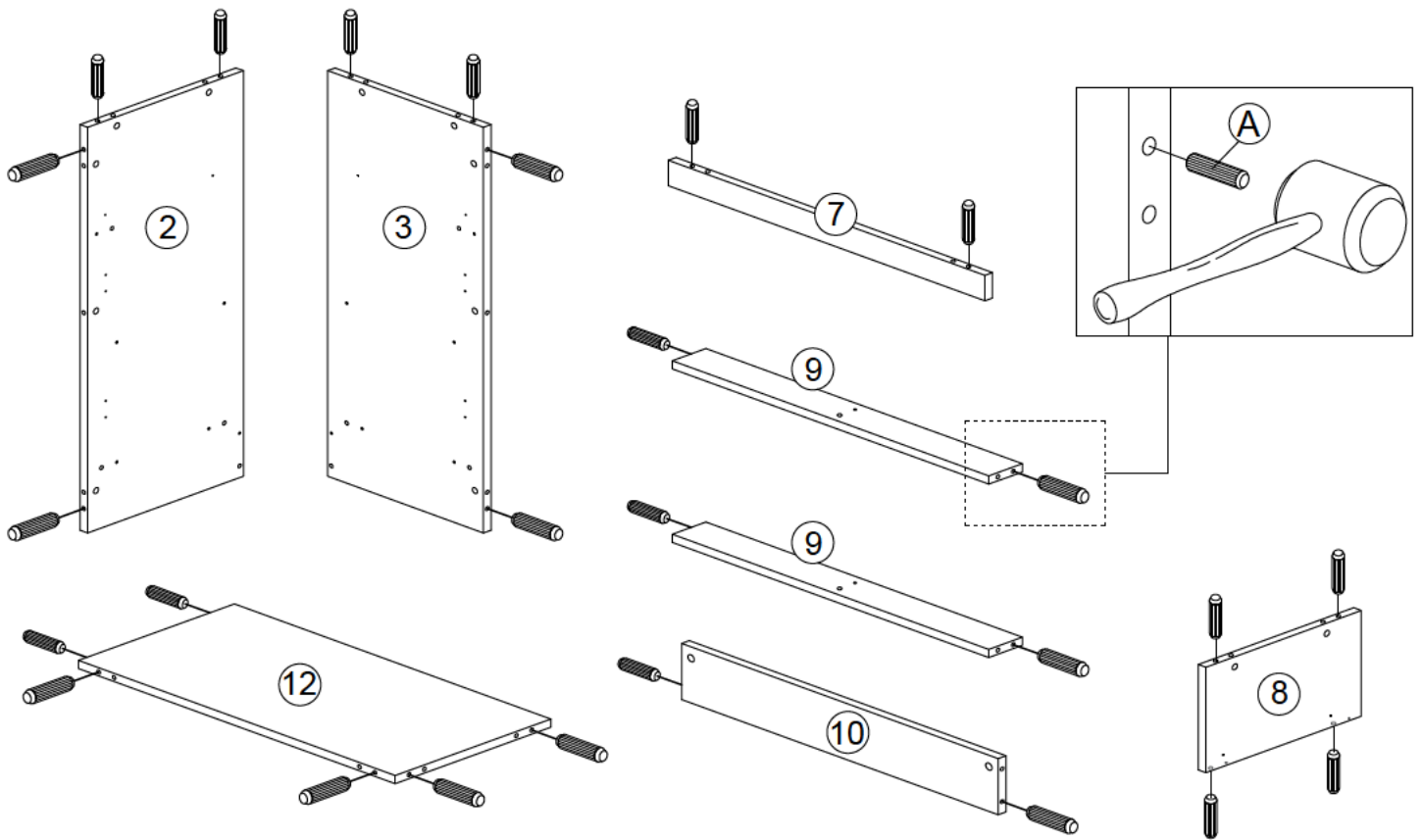
NO.	DESCRIPTION	QTY
A	 WOOD DOWEL M8 x 25MM	26
B	 CAM NUT	26
C	 CAM BOLT	26
D	 CAM CAP	26
E	 CB SCREW M3.5 x 16MM	40
F	 CB SCREW M4 x 38MM	16
G	 CSK CAP WOOD M6 x 40MM	2
H	 HANDLE SCREW M4 x 19MM	2
I	 HANDLE SCREW M4 x 35MM	4
J	 NAIL 5/8"	36
K	 SHELF SUPPORT	4
L	 HINGES 7/8	4
M	 HANDLE HALFMAN 88407-64MM	2
N	 HANDLE 5022 (24MM)	2
O	 ALLEN KEY M4	1
P	 PVC NAIL WITH PIN 5/8	4
Q	 DRAWER SLIDE 12"	4
R	 DRAWER SLIDE 12"	4

**THE USE OF POWER TOOLS TO ASSEMBLE THIS PRODUCT WILL INVALIDATE ANY CLAIM AND MAY DAMAGE THIS PRODUCT MAKING IT UNSAFE.**



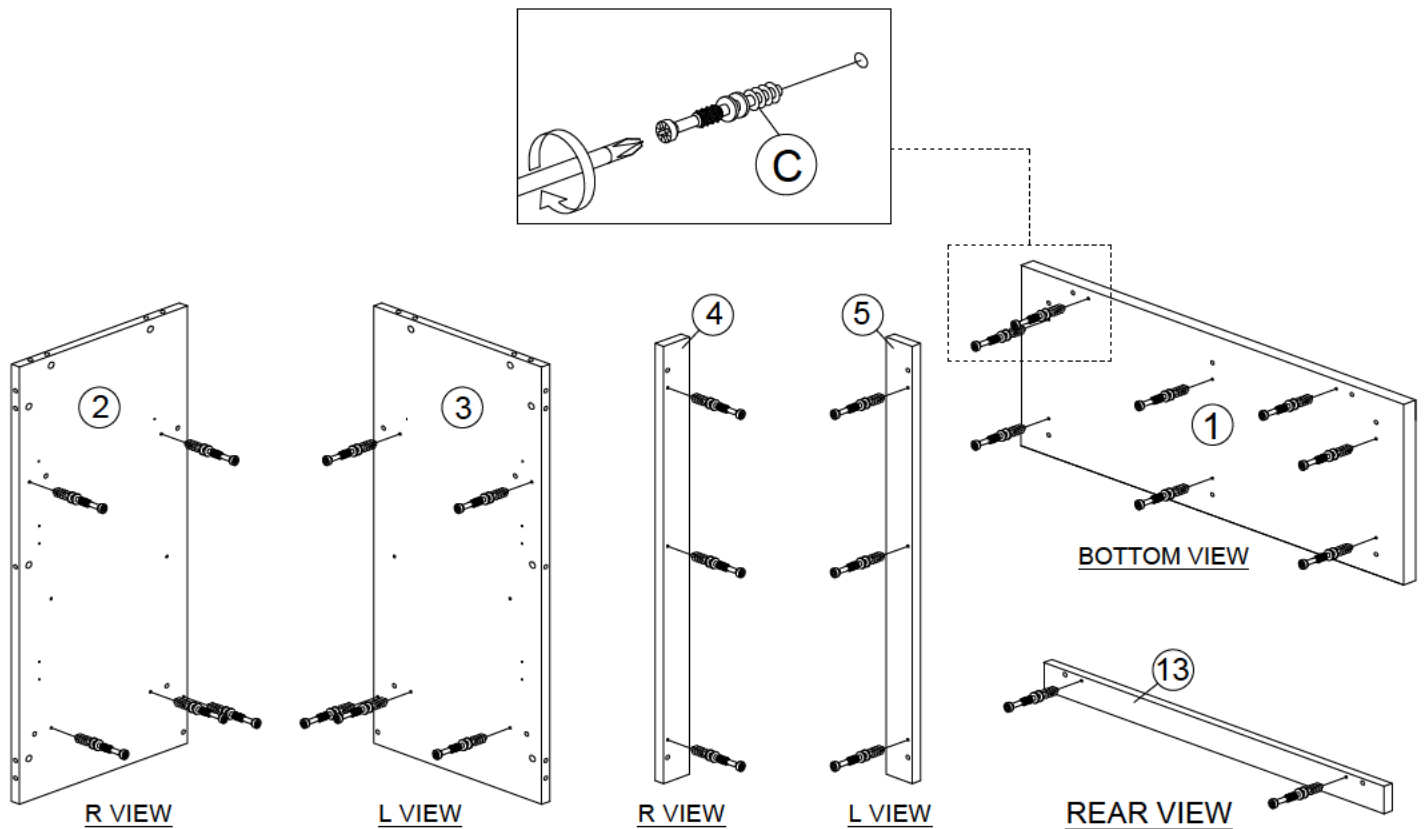
# STEP 1

A	 WOOD DOWEL M8 x 25MM	26
---	--	----



# STEP 2

C	 CAM BOLT	26
---	--	----

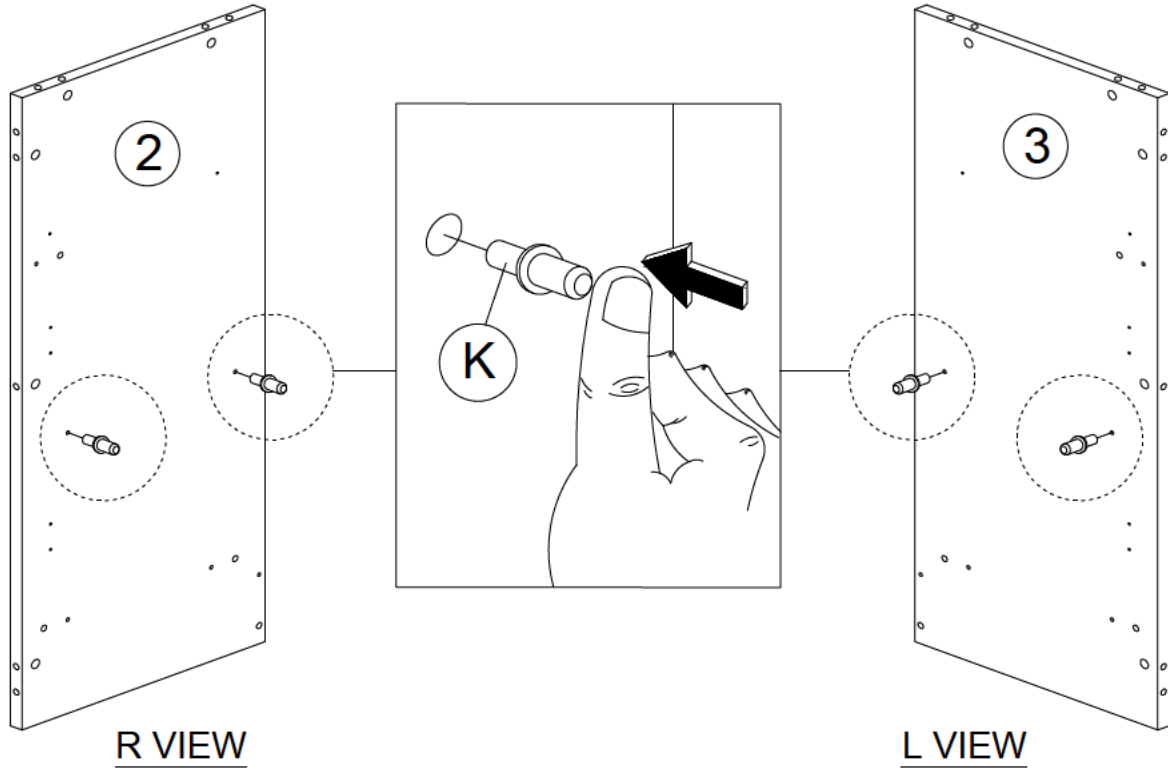


THE USE OF POWER TOOLS TO ASSEMBLE THIS PRODUCT WILL INVALIDATE ANY CLAIM AND MAY DAMAGE THIS PRODUCT MAKING IT UNSAFE.





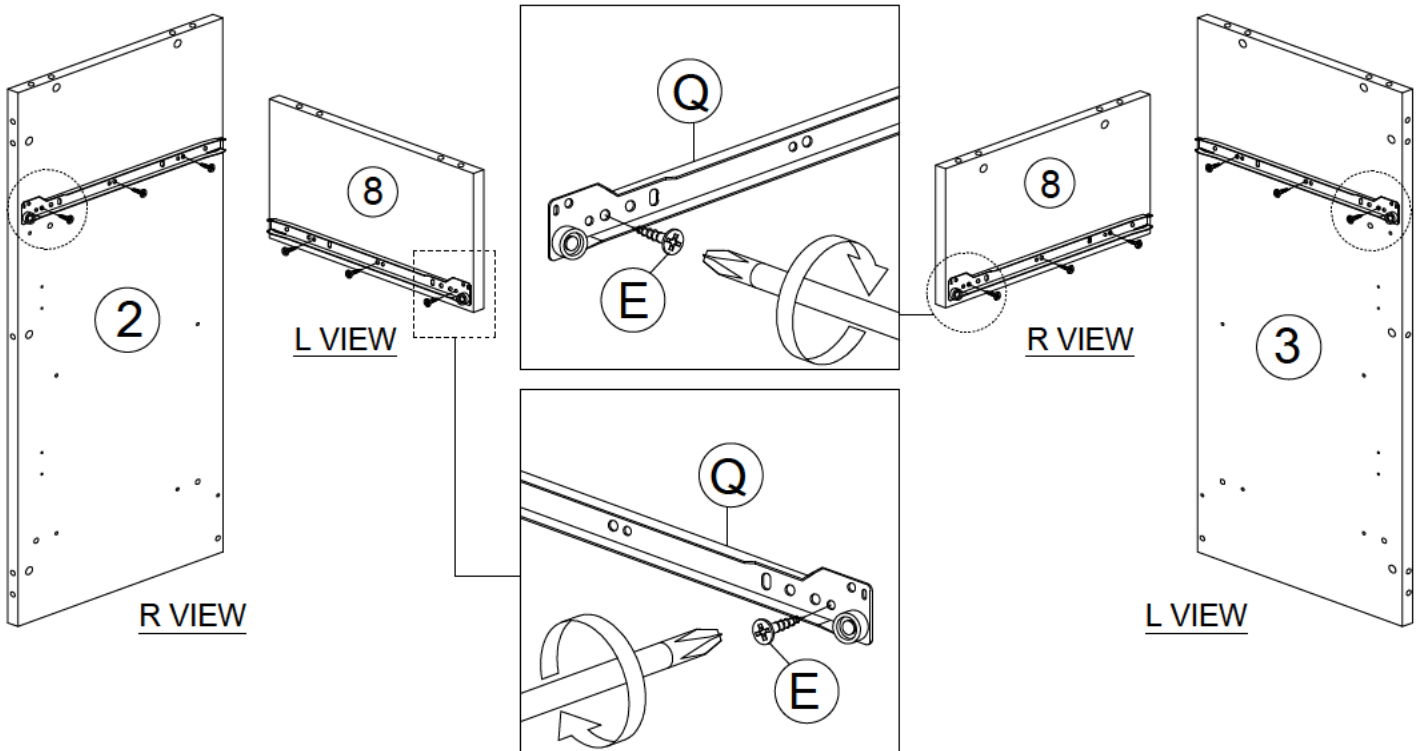
# STEP 3

K	 <b>SHELF SUPPORT</b>	4
---	---	---



# STEP 4


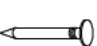



E	 <b>CB SCREW M3.5 x 16MM</b>	12
Q	 <b>DRAWER SLIDE 12"</b>	4



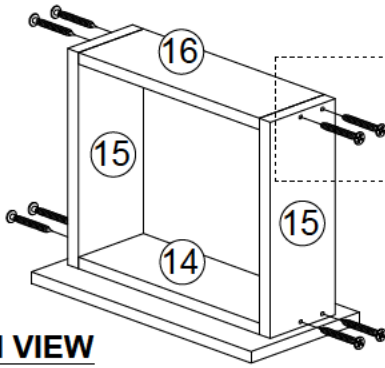
**THE USE OF POWER TOOLS TO ASSEMBLE THIS PRODUCT WILL INVALIDATE ANY CLAIM AND MAY DAMAGE THIS PRODUCT MAKING IT UNSAFE.**



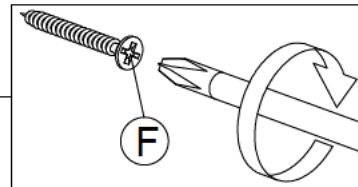
# STEP 5

E		CB SCREW M3.5 x 16MM	12
F		CB SCREW M4 x 38MM	16
J		NAIL 5/8"	16
R		DRAWER SLIDE 12"	4
M		HANDLE HALFMAN 88407-64MM	2
I		HANDLE SCREW M4 x 35MM	4

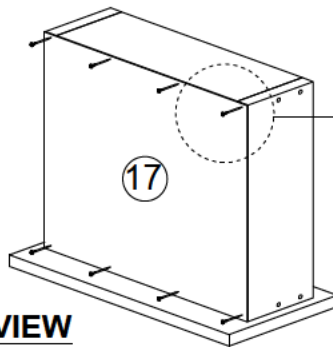
**X2**



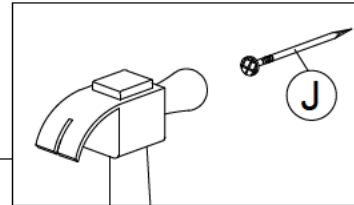
BOTTOM VIEW



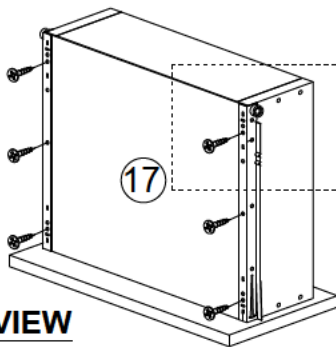
**X2**



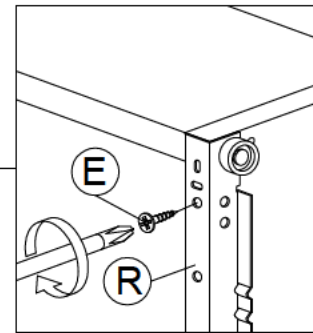
BOTTOM VIEW



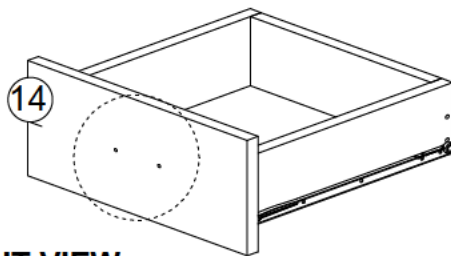
**X2**



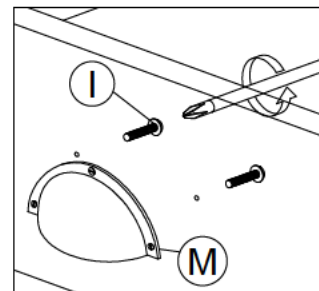
BOTTOM VIEW



**X2**



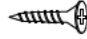

FRONT VIEW

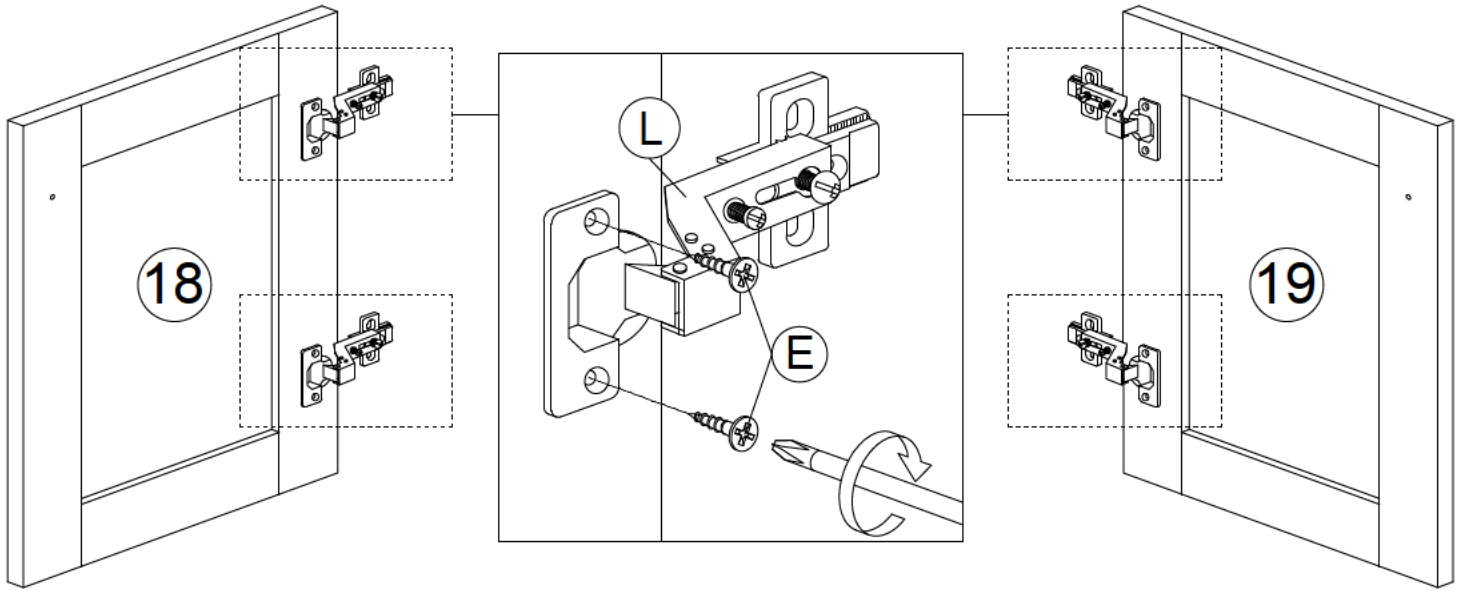


THE USE OF POWER TOOLS TO ASSEMBLE THIS PRODUCT WILL INVALIDATE ANY CLAIM AND MAY DAMAGE THIS PRODUCT MAKING IT UNSAFE.





## STEP 6

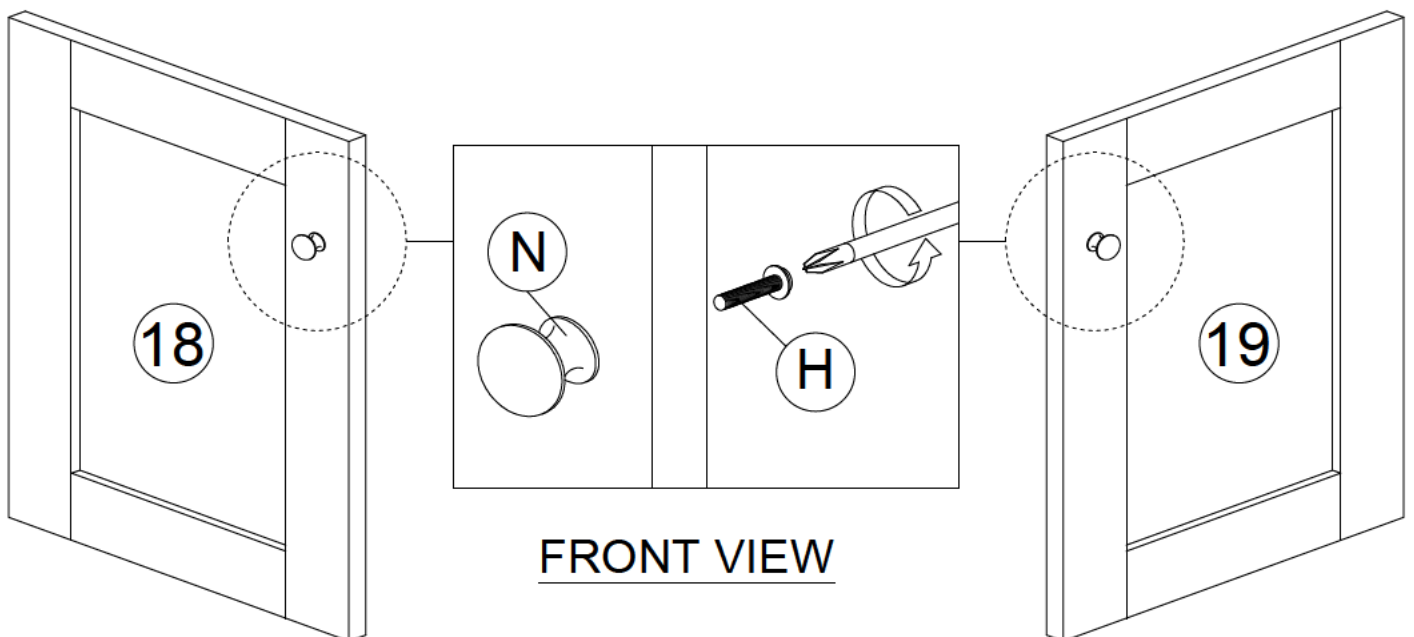
E		CB SCREW M3.5 x 16MM	8
L		HINGES 7/8	4



REAR VIEW

## STEP 7

N		HANDLE 5022 (24MM)	2
H		HANDLE SCREW M4 x 19MM	2


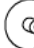



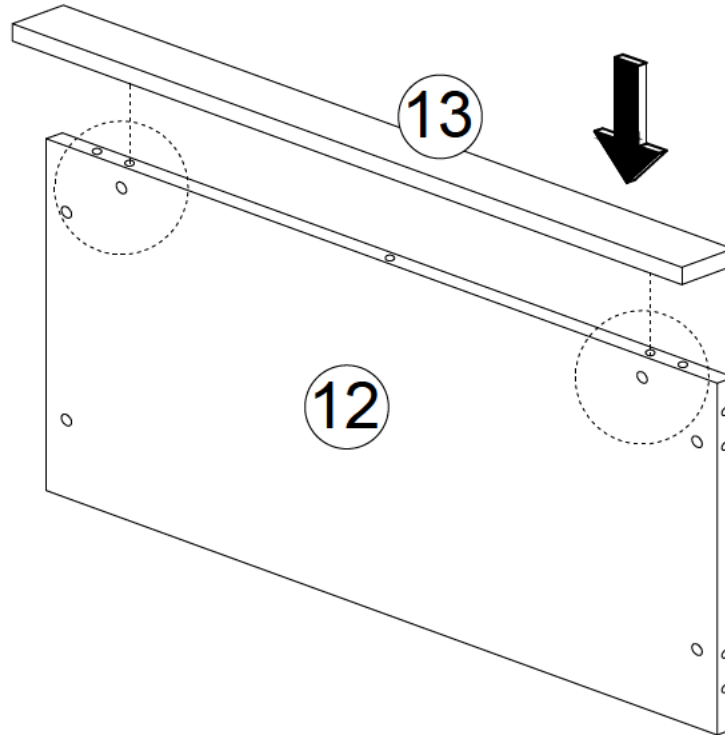
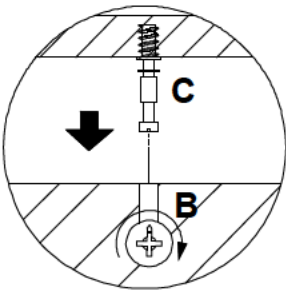
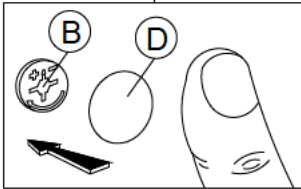
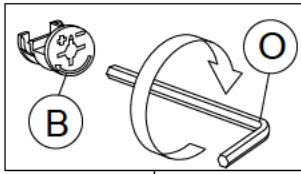
FRONT VIEW

THE USE OF POWER TOOLS TO ASSEMBLE THIS PRODUCT WILL INVALIDATE ANY CLAIM AND MAY DAMAGE THIS PRODUCT MAKING IT UNSAFE.


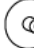



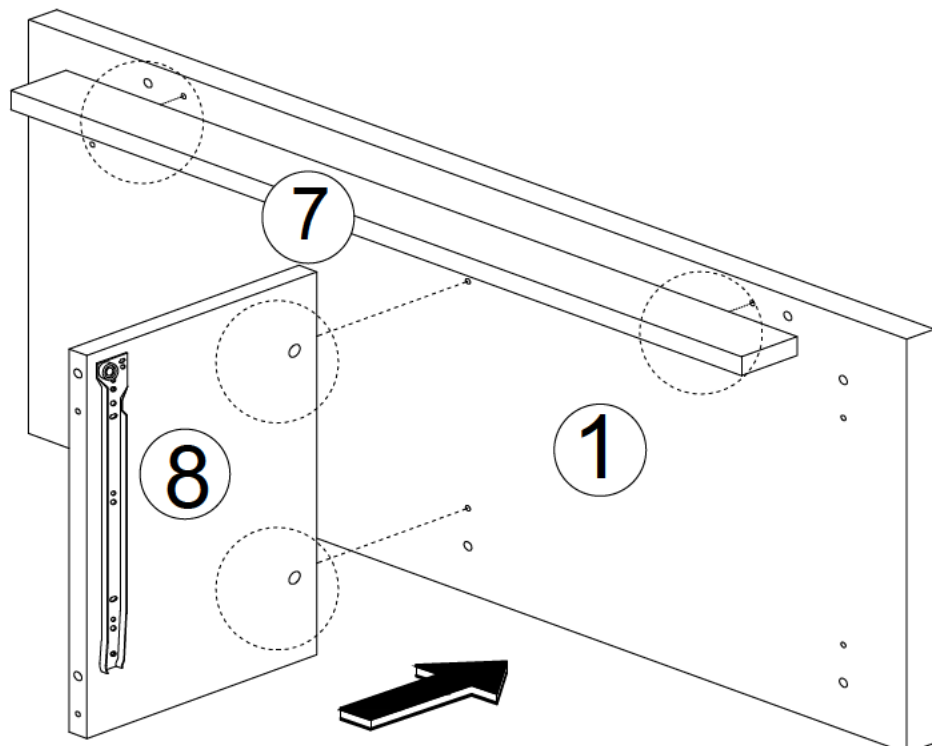
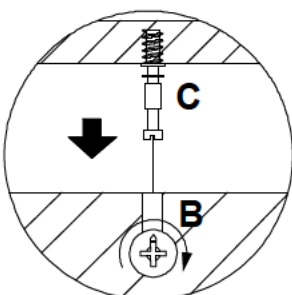
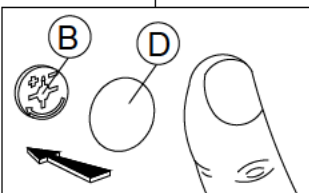
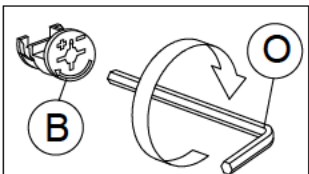
## STEP 8

B		CAM NUT	2
D		CAM CAP	2
O		ALLEN KEY M4	1



## STEP 9




B		CAM NUT	4
D		CAM CAP	4
O		ALLEN KEY M4	1

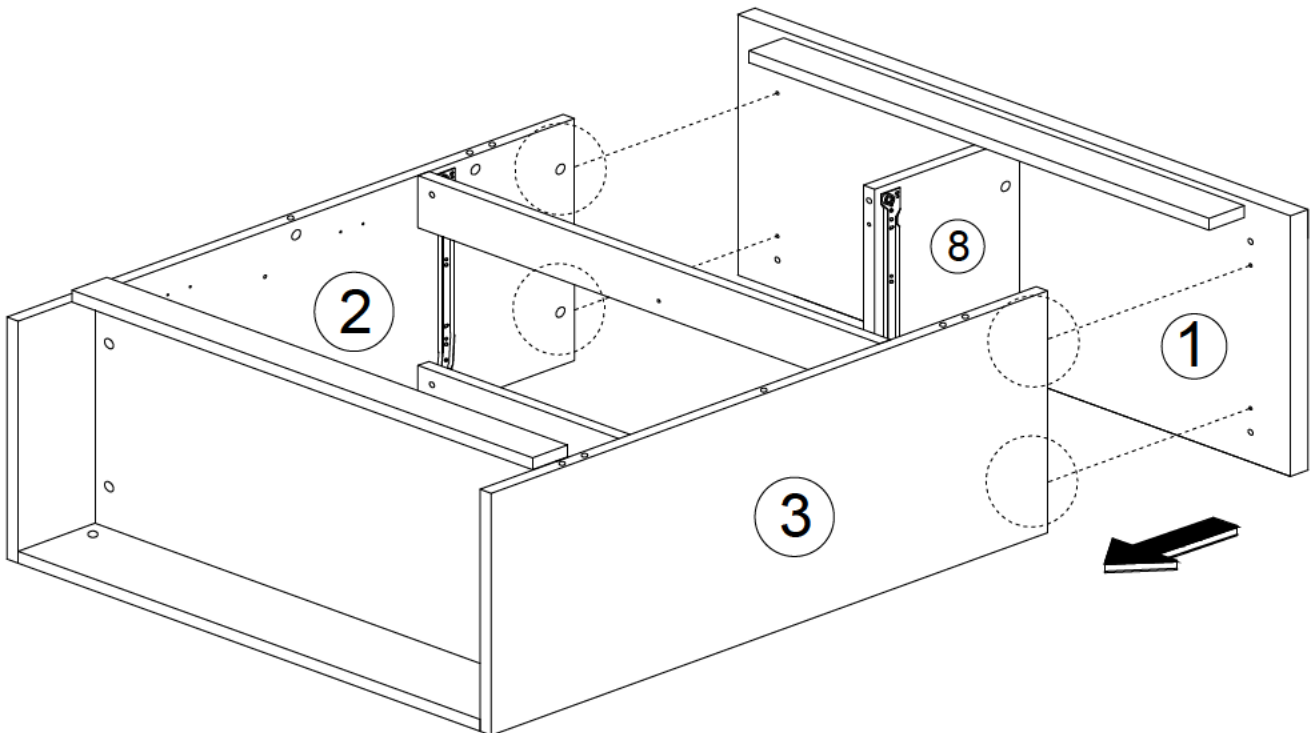
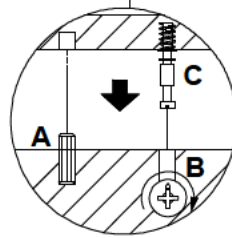
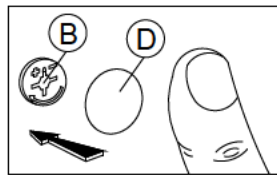
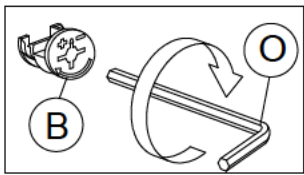
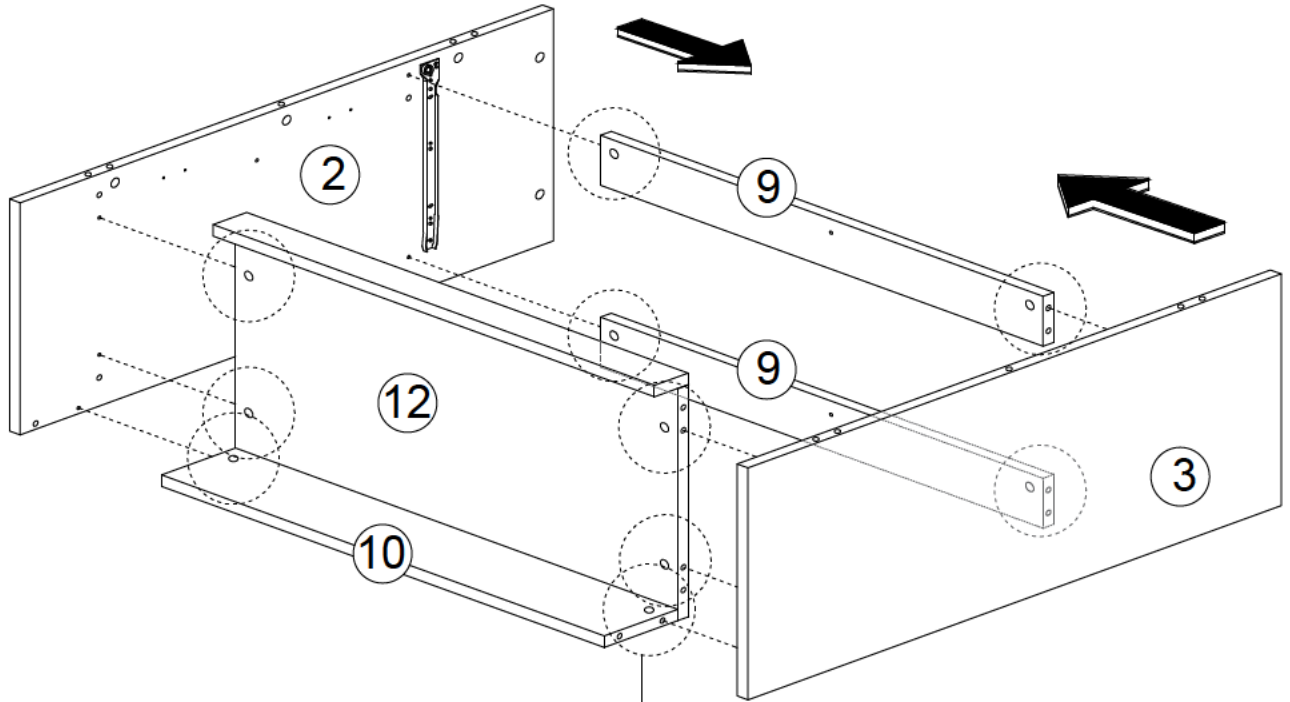


THE USE OF POWER TOOLS TO ASSEMBLE THIS PRODUCT WILL INVALIDATE ANY CLAIM AND MAY DAMAGE THIS PRODUCT MAKING IT UNSAFE.



# STEP 10

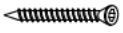

B		CAM NUT	14
D		CAM CAP	14
O		ALLEN KEY M4	1

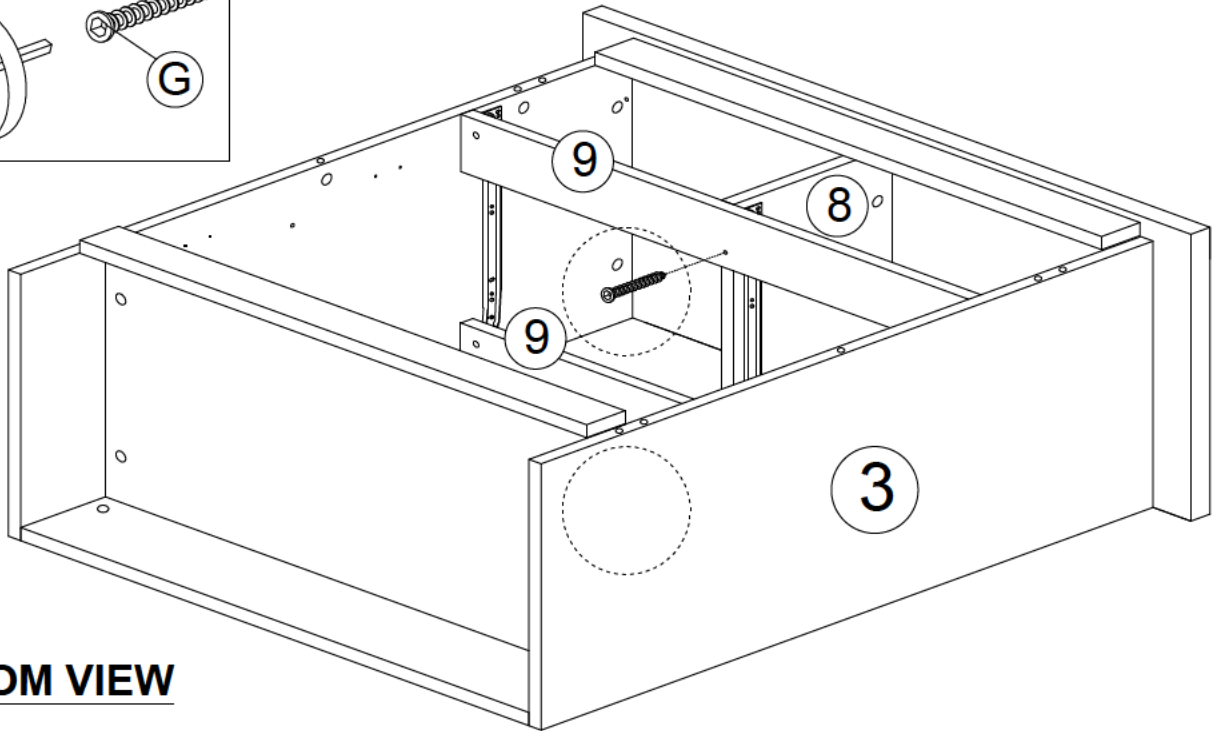
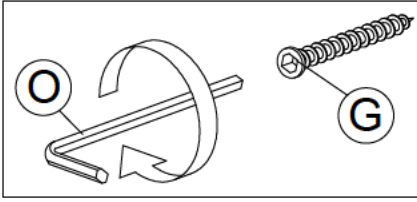


THE USE OF POWER TOOLS TO ASSEMBLE THIS PRODUCT WILL INVALIDATE ANY CLAIM AND MAY DAMAGE THIS PRODUCT MAKING IT UNSAFE.



## STEP 11

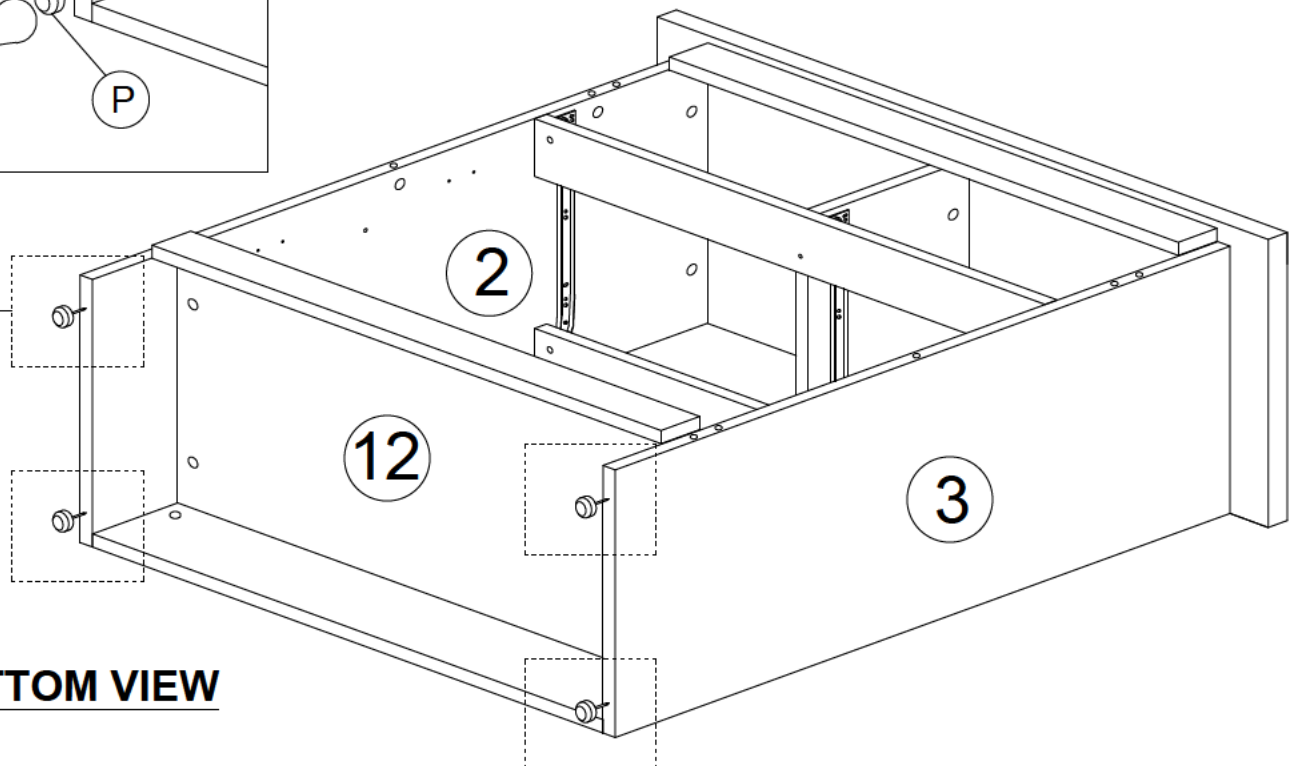
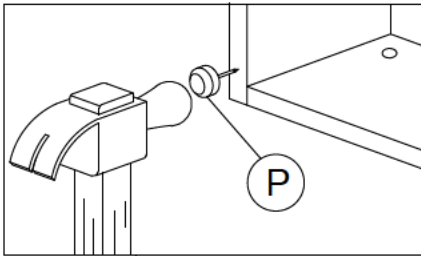
G	 CSK CAP WOOD M6 x 40MM	2
O	 ALLEN KEY M4	1



**BOTTOM VIEW**

## STEP 12

P	 PVC NAIL WITH PIN 5/8	4
---	---	---


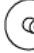



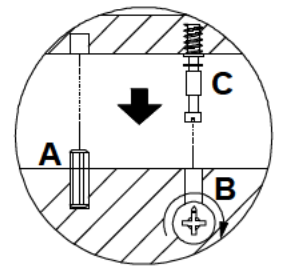
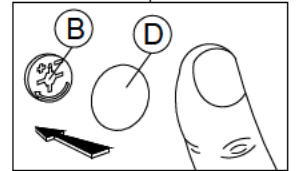
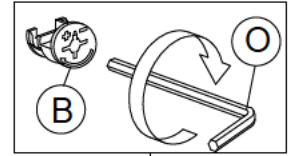
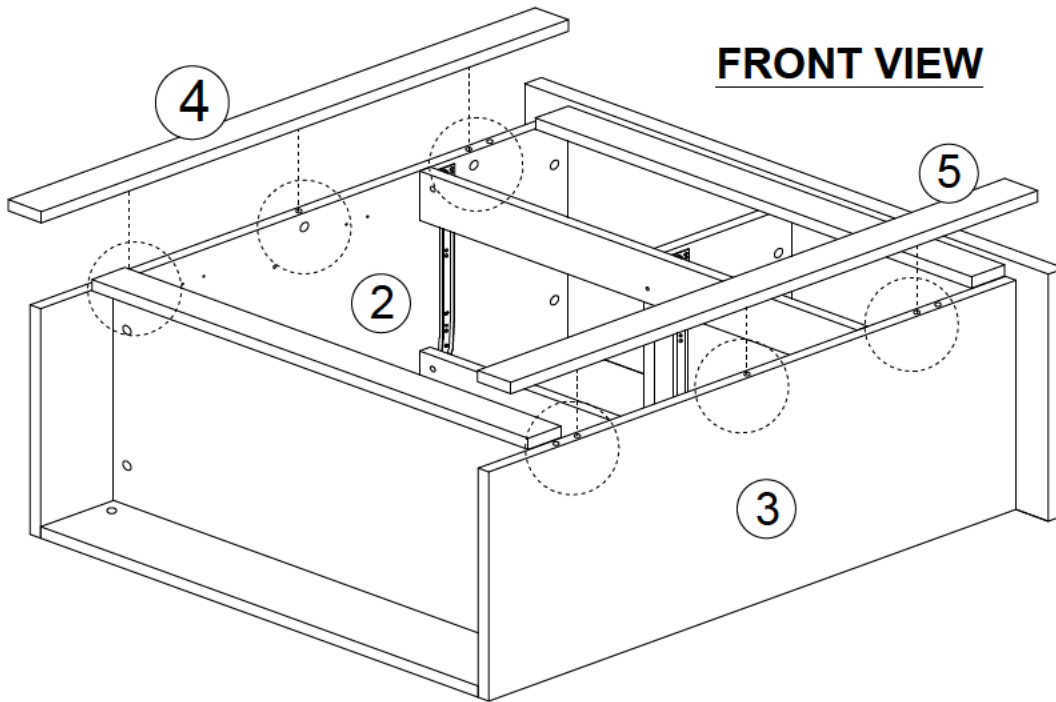
**BOTTOM VIEW**

THE USE OF POWER TOOLS TO ASSEMBLE THIS PRODUCT WILL INVALIDATE ANY CLAIM AND MAY DAMAGE THIS PRODUCT MAKING IT UNSAFE.



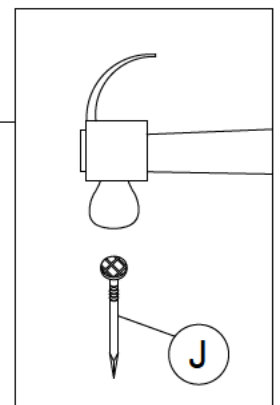
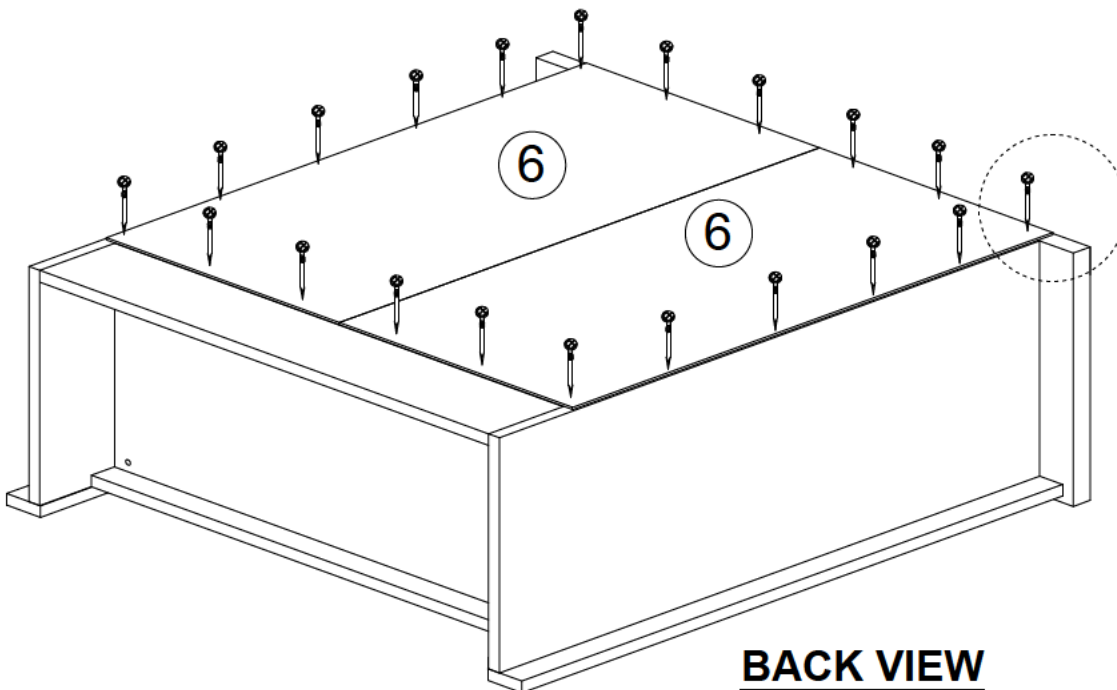
## STEP 13

B		CAM NUT	6
D		CAM CAP	6
O		ALLEN KEY M4	1



## STEP 14

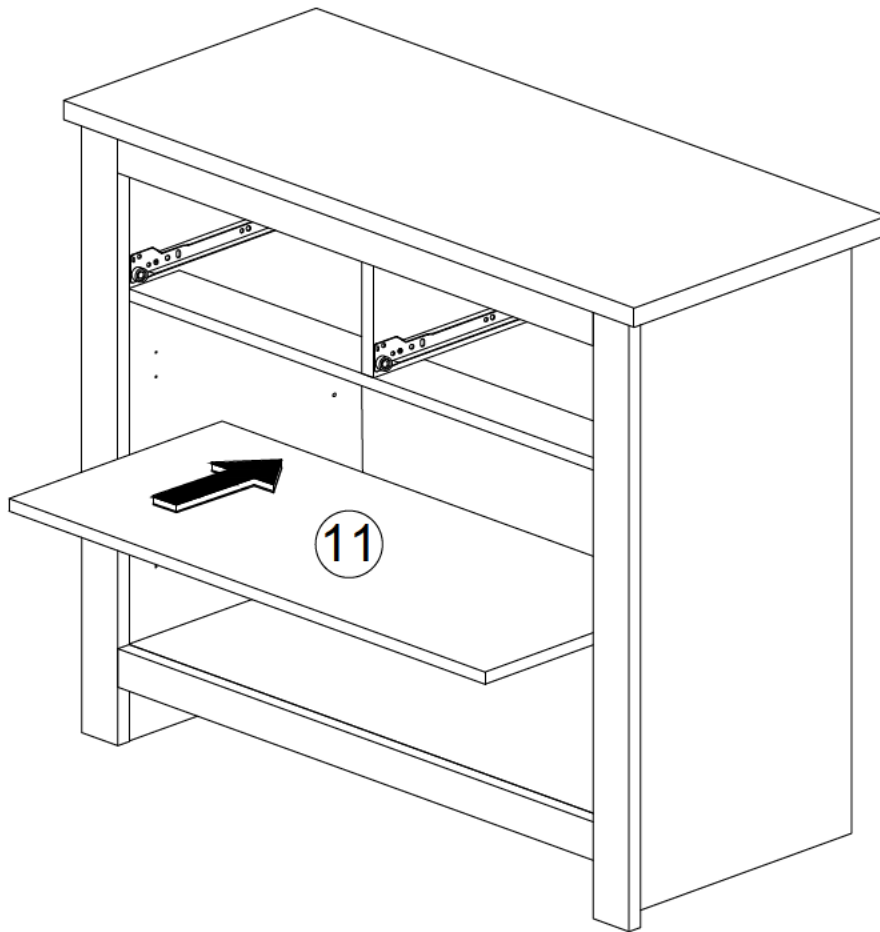
J		NAIL 5/8	20
---	---	----------	----



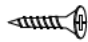
THE USE OF POWER TOOLS TO ASSEMBLE THIS PRODUCT WILL INVALIDATE ANY CLAIM AND MAY DAMAGE THIS PRODUCT MAKING IT UNSAFE.

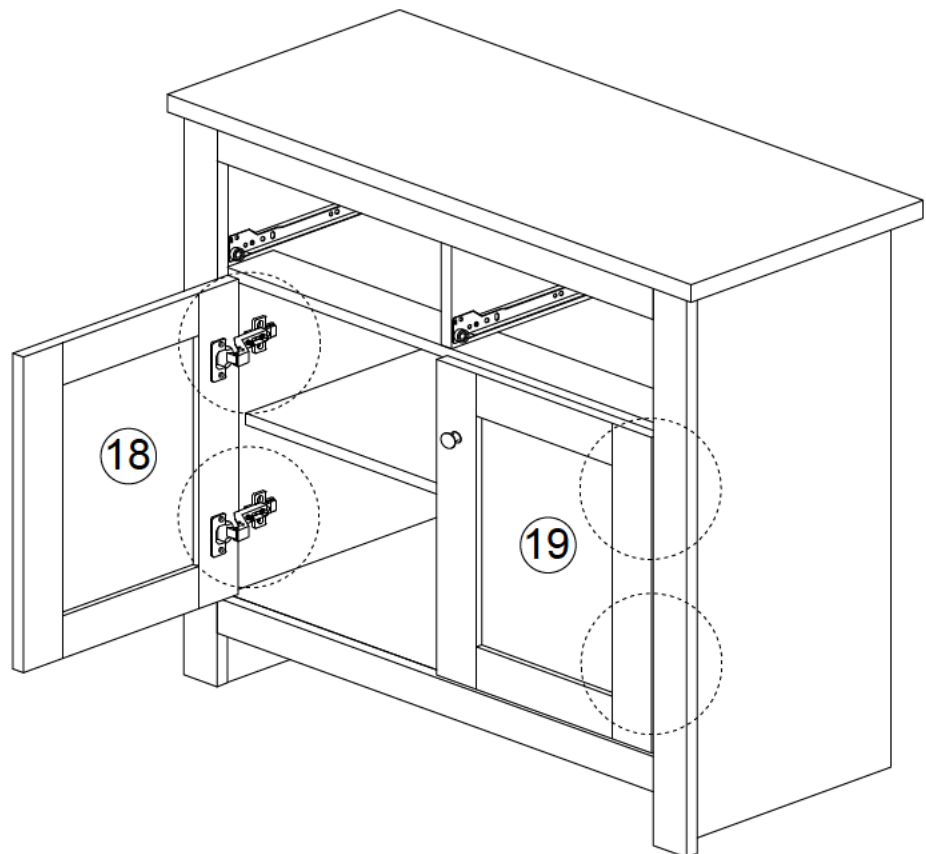
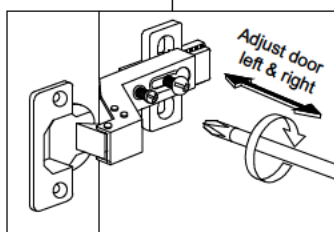
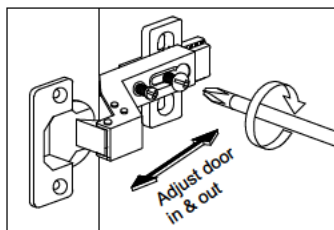
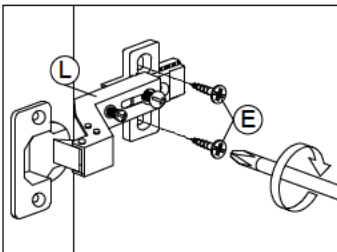


## STEP 15



## STEP 16

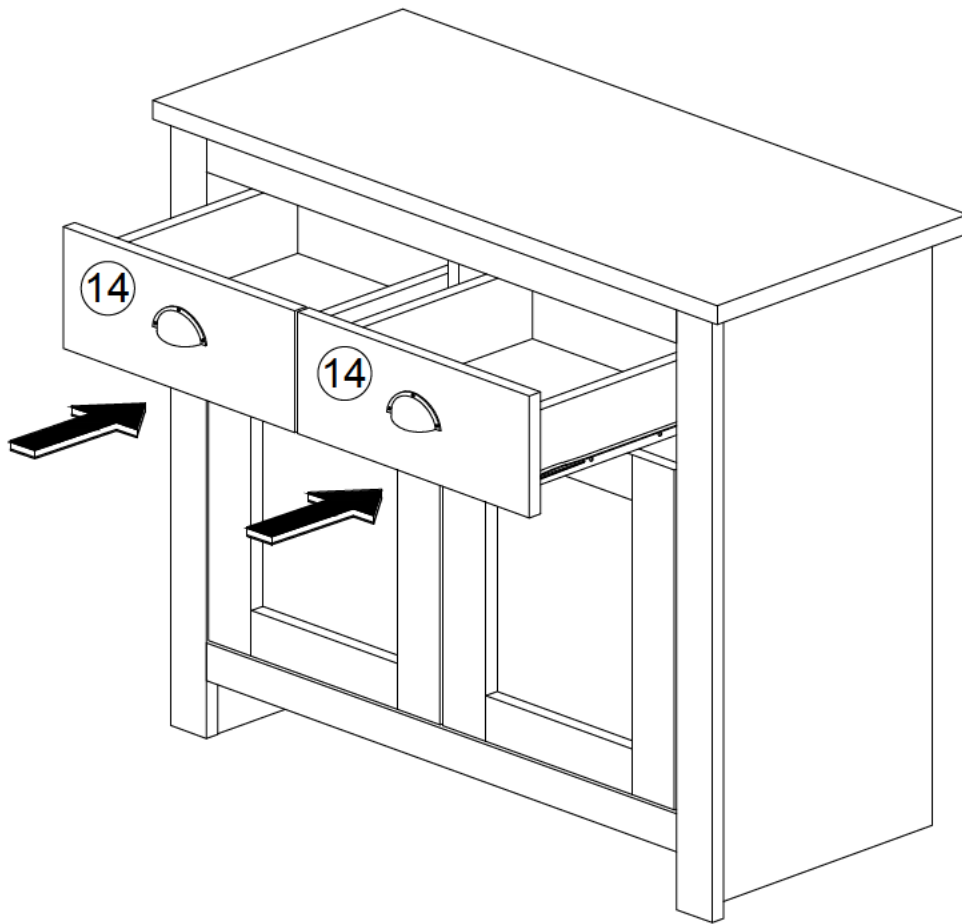
E		CB SCREW M3.5 x 16MM	8
---	---	----------------------	---



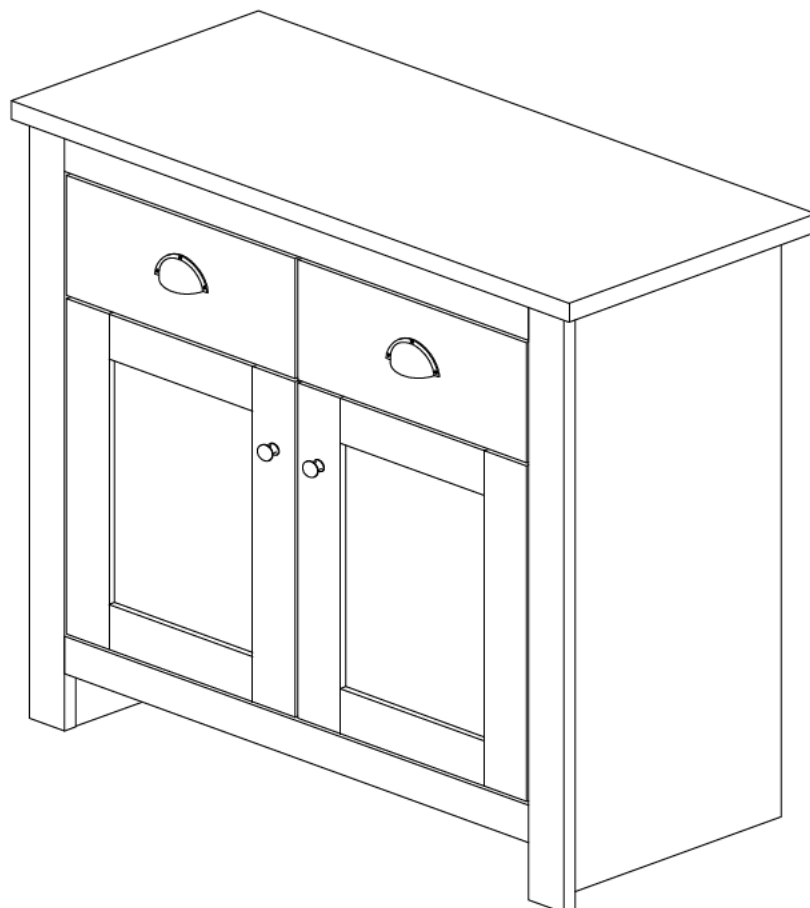
THE USE OF POWER TOOLS TO ASSEMBLE THIS PRODUCT WILL INVALIDATE ANY CLAIM AND MAY DAMAGE THIS PRODUCT MAKING IT UNSAFE.



## STEP 17



## COMPLETED

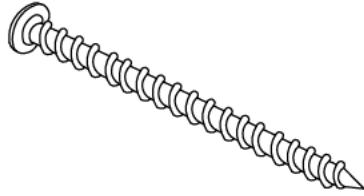


**THE USE OF POWER TOOLS TO ASSEMBLE THIS PRODUCT WILL INVALIDATE ANY CLAIM AND MAY DAMAGE THIS PRODUCT MAKING IT UNSAFE.**

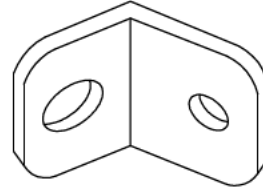


# Installation of Anti-Tip Restraint

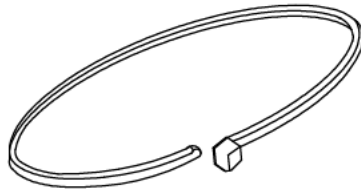
Kit includes:



**A (x1)**  
Long screw



**B (x2)**  
Mounting bracket



**C (x1)**  
Restraint strap



**D (x1)**  
Short screw



## WARNING



**Serious or fatal crushing injuries can occur from furniture tip-over. To help Prevent tip-over:**

- Install tip-over restraint provided
- Place heaviest items in the lower drawers
- Do not set TV's or other heavy objects on top of this product
- Never allow children to climb or hang on drawers, doors or shelves
- Never open more than one drawer at a time
- Do not defeat or remove the drawer interlock system

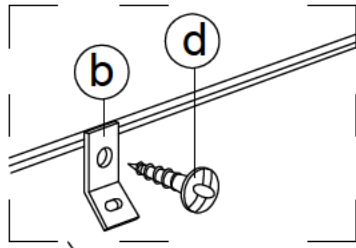
**Use tip-over restraints may only reduce but not eliminate the risk of tip-over.**

**IMPORTANT:** Use of this safety kit is mandatory. This restraint is not a substitute for proper adult supervision. Failure to detach this restraint before moving furniture may result in injury and damage.

# FITTING OF ANTI-TIP SAFETY STRAP

## STEP 1:

- Attach the mounting bracket (b) to the furniture in the solid part below the top panel a few inches away from the side of the unit.
- Screw (d) through the smallest hole of (b).



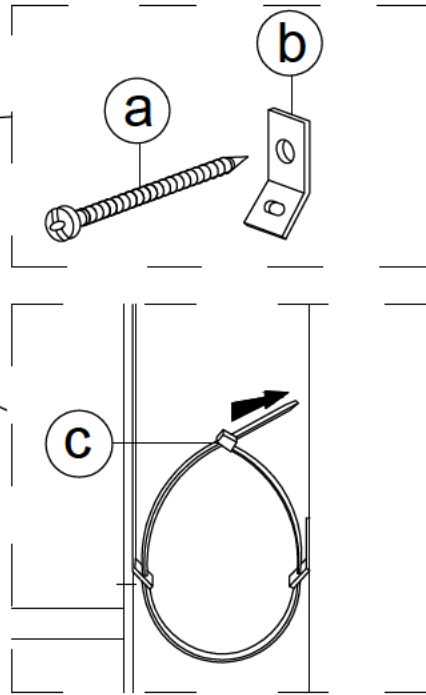
BACK SIDE OF TOP PANEL

WALL

FURNITURE

## STEP 2:

- Locate a stud in behind the have to
- Place the other mounting bracket (b) on the wall stud 2 inches below the mounting bracket secured to the back of your unit.
- Attach to the wall stud using (a) through the smaller hole of (b).



## STEP 3:

- Repeat the same step a few inches away from the other side of the unit.
- Place the furniture into position so both mounting brackets are vertically in line.
- Lace the end of the restraint strap through the larger holes in each mounting bracket.
- Secure the straps and lock into place.

