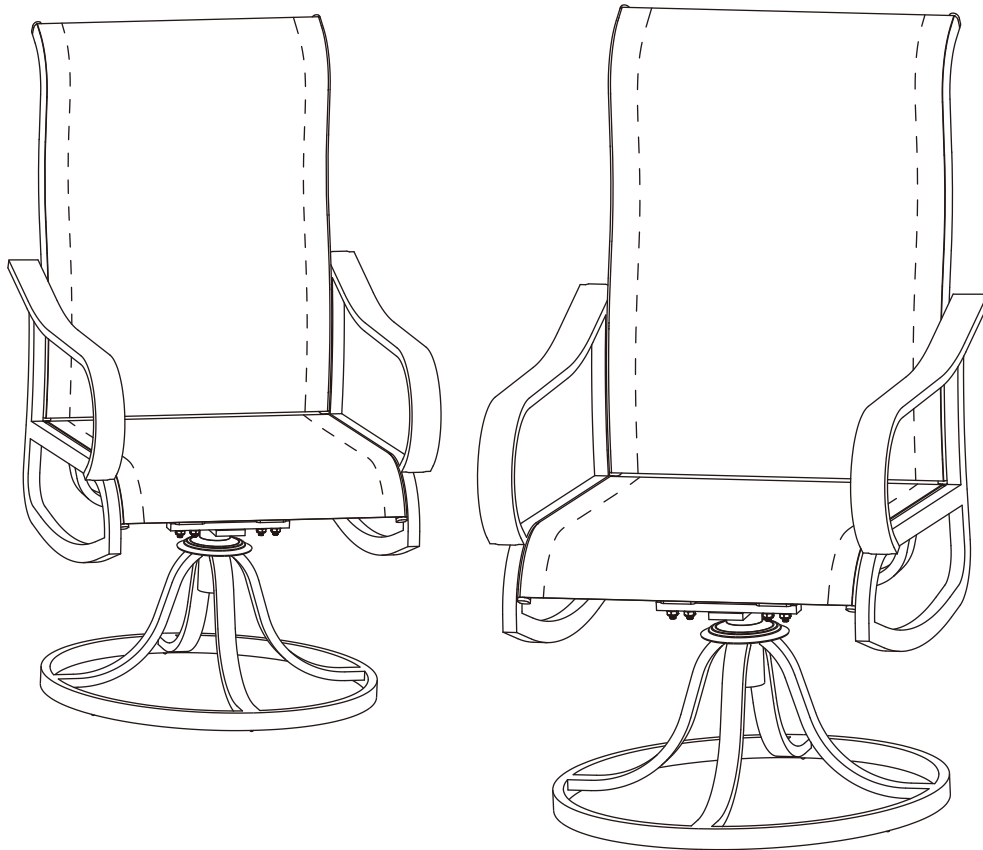


# Patio Dining Chairs set of 2

If you have any questions about the product, please feel free to contact us.

E-Mail: [Patiofurnitureserviceteam@outlook.com](mailto:Patiofurnitureserviceteam@outlook.com)



After-sales mailbox:  
[Patiofurnitureserviceteam@outlook.com](mailto:Patiofurnitureserviceteam@outlook.com)

# NOTICE

---

## **PLEASE RETAIN THESE INSTRUCTIONS FOR FUTURE REFERENCE.**

**Dear Customer,**

**Thank you for shopping with us!**

When you receive the product, please make sure that all the parts are included.

Then please browse the entire installation manual before assembling.

If any problem occurs unsatisfactorily as follows:

- A. The outer box is damaged
- B. The product is damaged / bent / cracked while you open the box
- C. The parts / accessories / assembly tools are missing
- D. The product is hard to assemble
- E. The instructions are not clear and can not be referred
- F. The product has functional problems
- G. Other aspects that you are not satisfied with

Please contact: [Patiofurniturestserviceteam@outlook.com](mailto:Patiofurniturestserviceteam@outlook.com)

if you have any questions.

Our team will reply within 24 hours and will do our best to resolve your problem for you.

---

## **SAFETY NOTES**

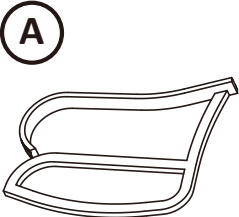
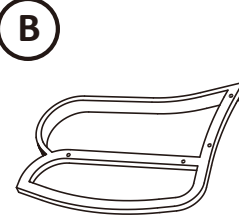
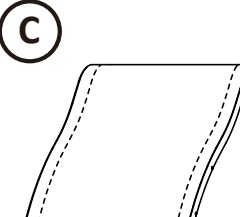
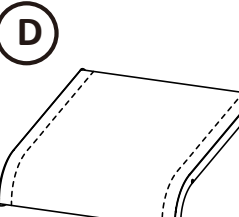
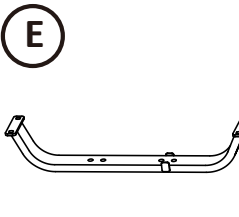
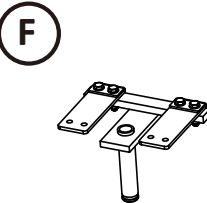
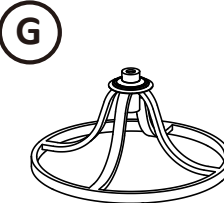
- Handle components with care due to sharp corners.
  - The installation of this product may require the use of electric drills; please pay attention to safety.
- 

## **CARE INSTRUCTIONS**

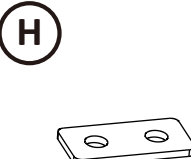
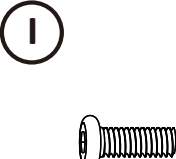
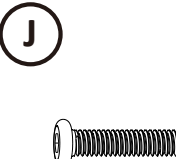
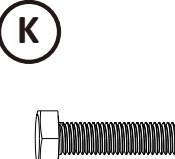
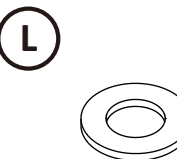
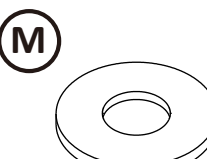
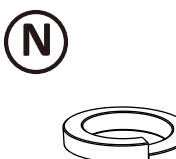
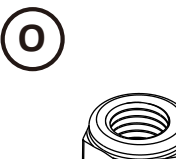
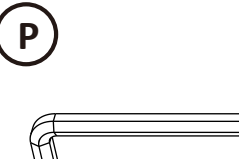
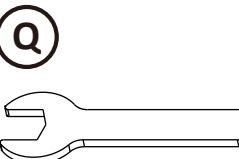
- Assembly with more than one person suggested.
- Please use gloves when assembling the metal frame portion of this unit.
- The metal components of this product have been treated with a rust preventive coating that may feel oily to the touch.
- This coating is not dangerous, but may dirty your hands during assembly.
- We recommend that you wipe metal parts clean with a mixture of warm water and dish detergent prior to assembly. Should your hands become dirty, simply wash with soap and water.

# PART LIST

## Patio Dining Chairs Parts List

				
2 pcs	2 pcs	2 pcs	2 pcs	2 pcs
				
2 pc	2 pc			

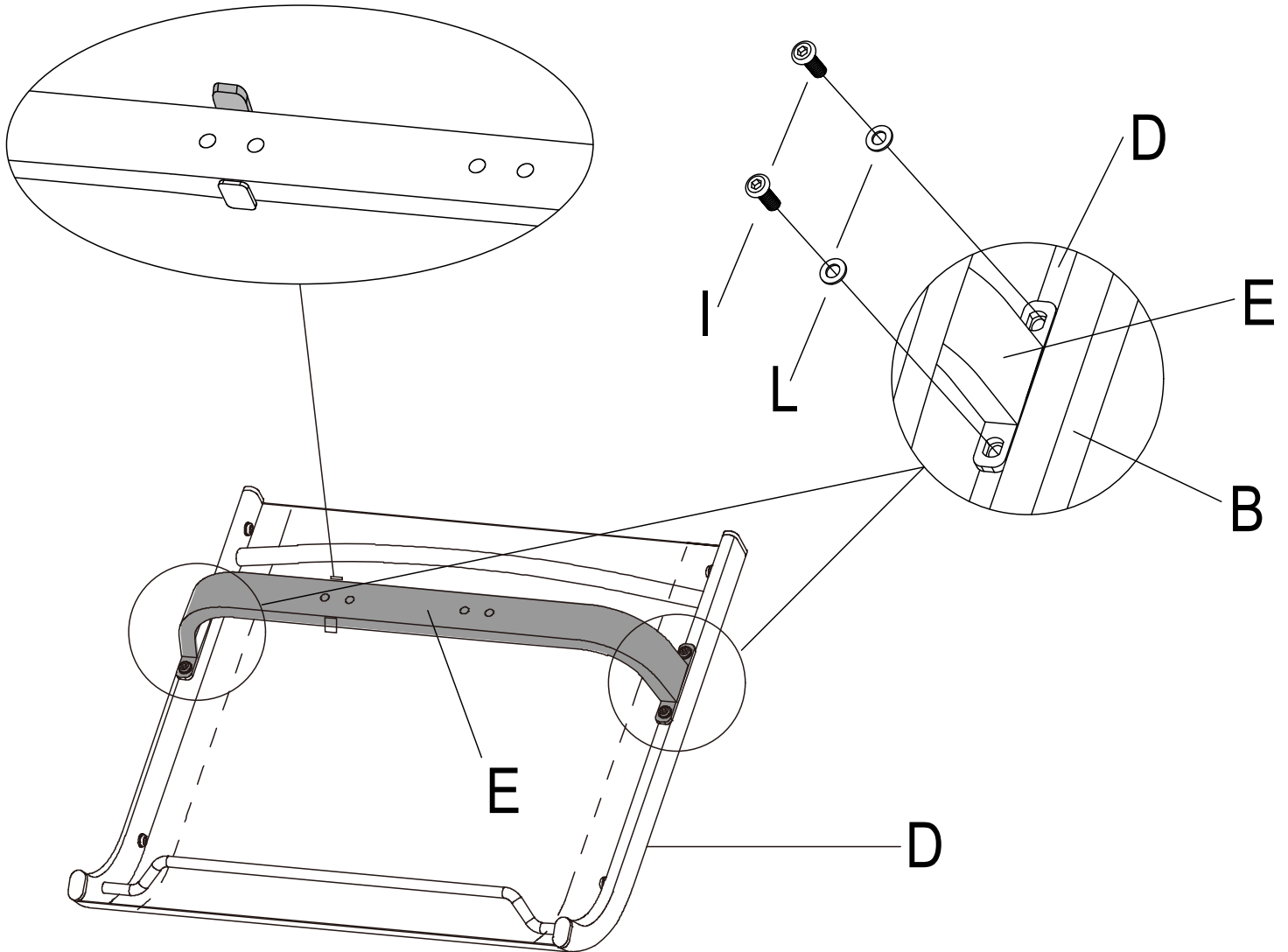
## Patio Dining Chairs Hardware List

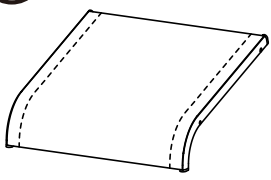
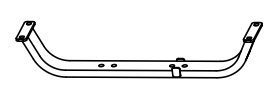
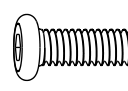
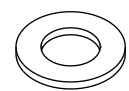
	 <p>M6x15</p>	 <p>M6x30</p>	 <p>M8x40</p>	 <p>M6</p>
8 pcs	8 pcs	16 pcs	8 pcs	24 pcs
 <p>M8</p>	 <p>M8</p>	 <p>M8</p>	 <p>4x4</p>	 <p>M8</p>
8 pcs	8 pcs	8 pcs	1pc	2 pcs

# STEP1

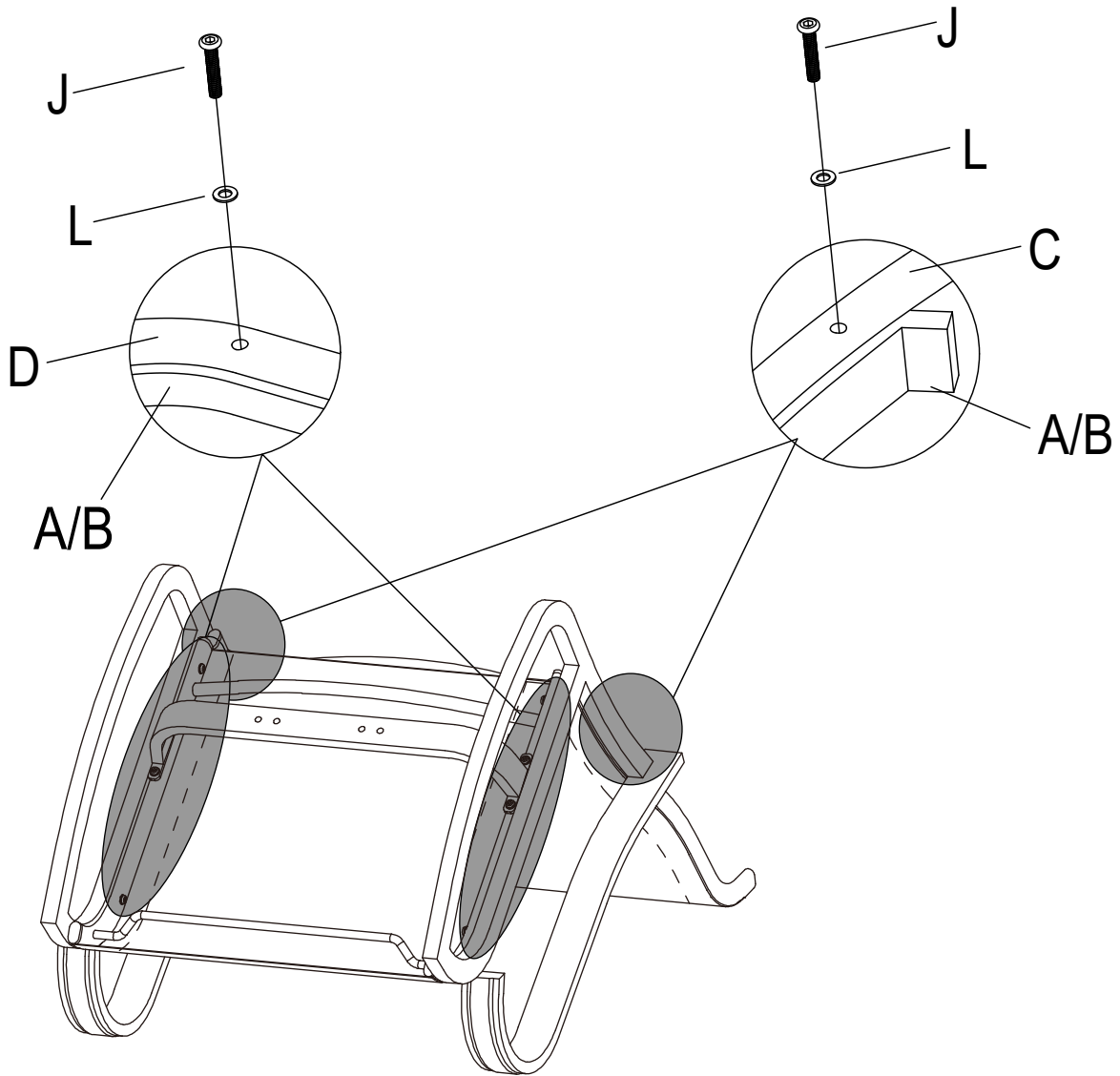
## NOTICE

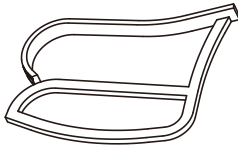
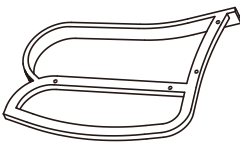
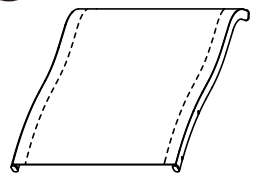

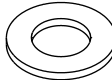
When installing, please be careful not to tighten the screws immediately!  
You need to make sure that all the screws are secured to 80%, then tighten them fully.



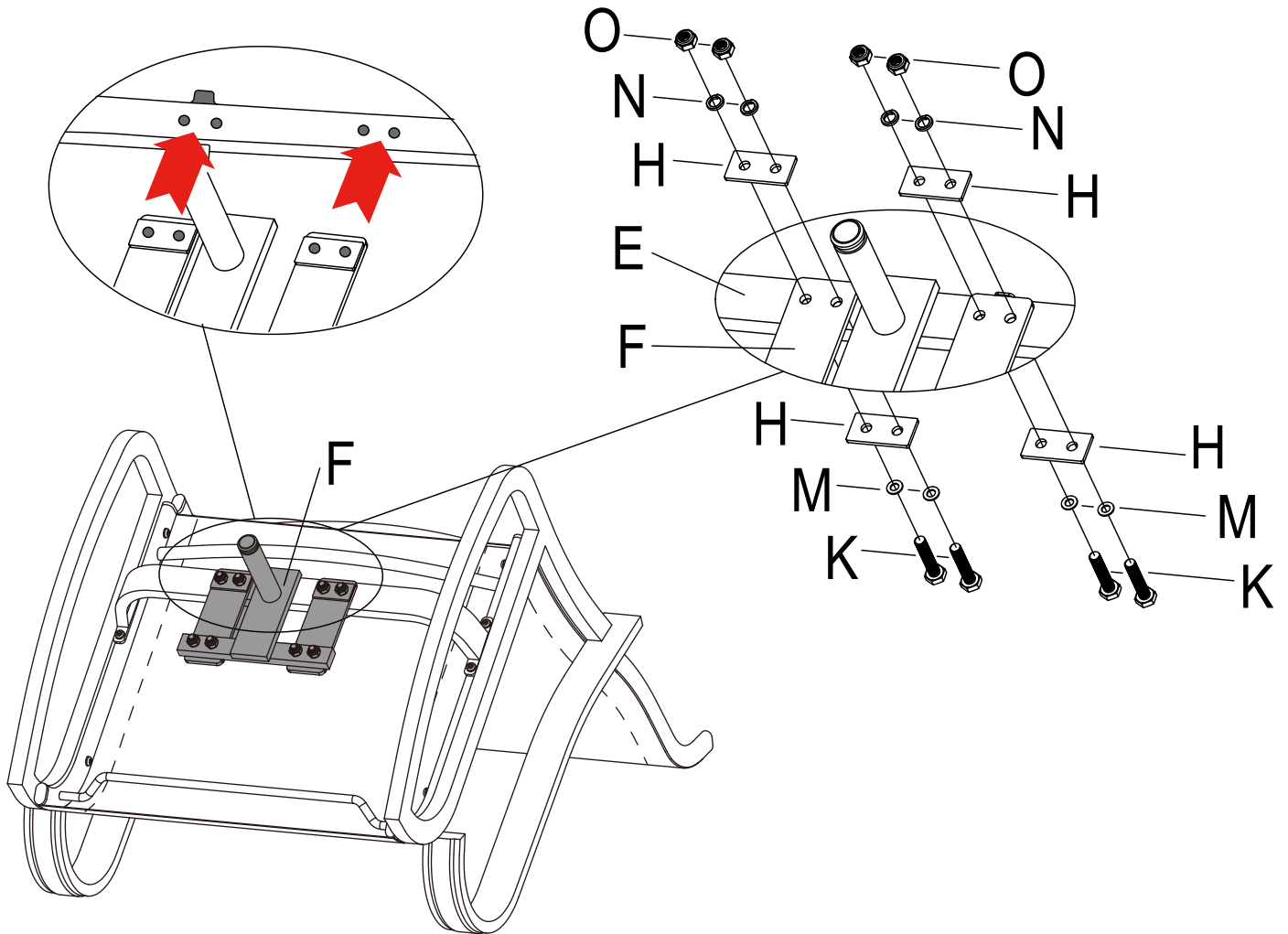
 1 pc	 1 pc	 M6x15 4 pcs	 M6 4 pcs
---	---	--	--

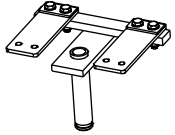

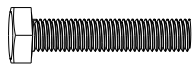
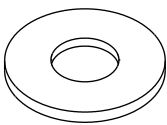
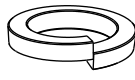

# STEP 2



<p><b>(A)</b></p>  <p>1 pc</p>	<p><b>(B)</b></p>  <p>1 pc</p>	<p><b>(C)</b></p>  <p>1 pc</p>
<p><b>(J)</b></p>  <p>M6x30</p> <p>8 pcs</p>		<p><b>(L)</b></p>  <p>M6</p> <p>8 pcs</p>

# STEP 3

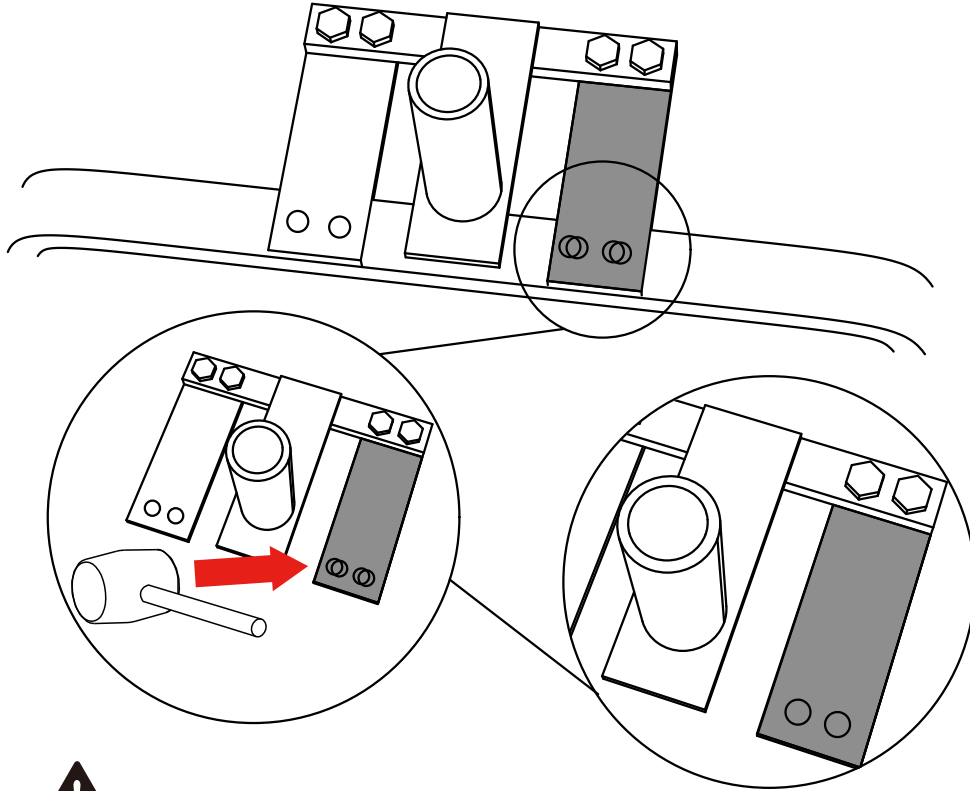


<p><b>(F)</b></p>  <p>1 pc</p>	<p><b>(H)</b></p>  <p>4 pcs</p>	<p><b>(K)</b></p>  <p>M8x40 4 pcs</p>
<p><b>(M)</b></p>  <p>M8 4 pcs</p>	<p><b>(N)</b></p>  <p>M8 4 pcs</p>	<p><b>(O)</b></p>  <p>M8 4 pcs</p>

# NOTICE

## NOTICE

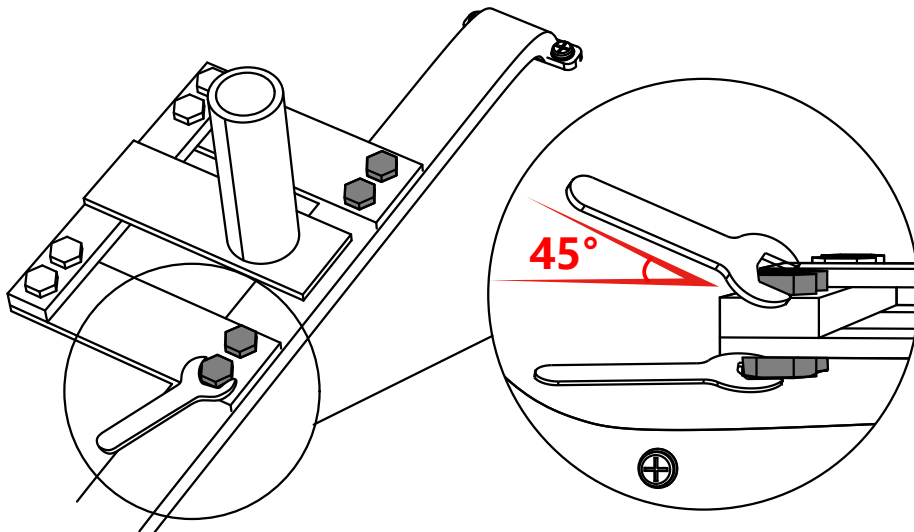
If the screw holes are not aligned, please use a hammer on that side to ensure that the screw holes are properly aligned.



## NOTICE

The upper screwdriver needs to be turned at a 45-degree angle to tighten the screws.

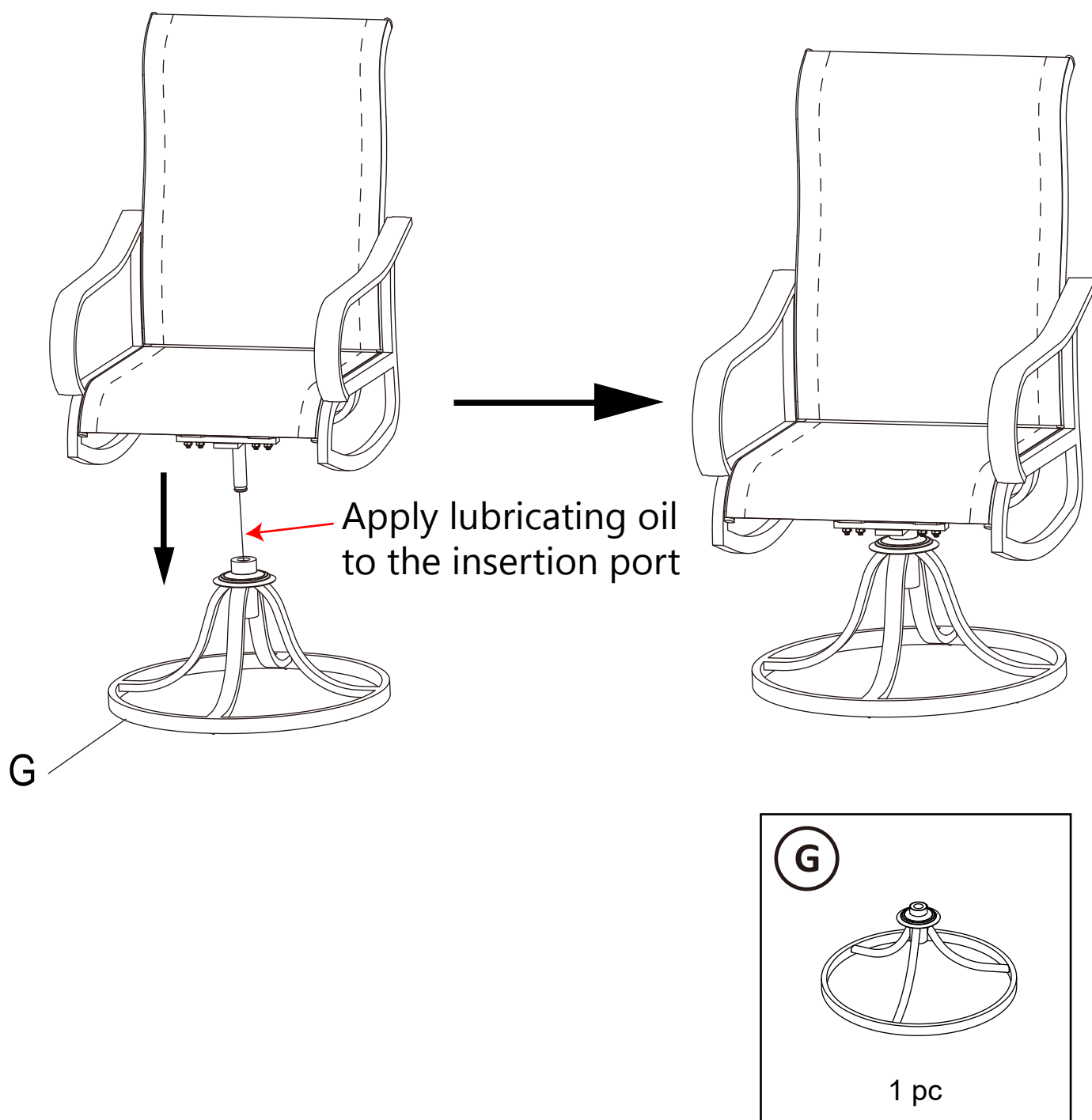
The bottom screwdriver needs to be used horizontally to tighten the screws.



## STEP 4

### NOTICE

If the swivel chair has been used outdoors, pay attention to remove the pipe to check whether there is any rain residue, if there is, pour out the rain, dry it and install it back before it can be used indoors.



## AFTER-SALE SERVICE CARD

### Guaranteed Customer Service

✉ [Patiofurniture Serviceteam@outlook.com](mailto:Patiofurniture Serviceteam@outlook.com)

If you have any suggestions for our products or find that the products have quality problems, please contact us first. Our after-sales team will reply to you within 24 hours, and we will do our best to provide solutions until you are satisfied.

Your shopping experience is very important to us!

Feel unsatisfied? **Contact us!**

Have any questions? **Contact us!**

Want to share how wonderful our smart products make your home? Share your pictures with us.

Any suggestions? **Contact us!**

We've got your back!

