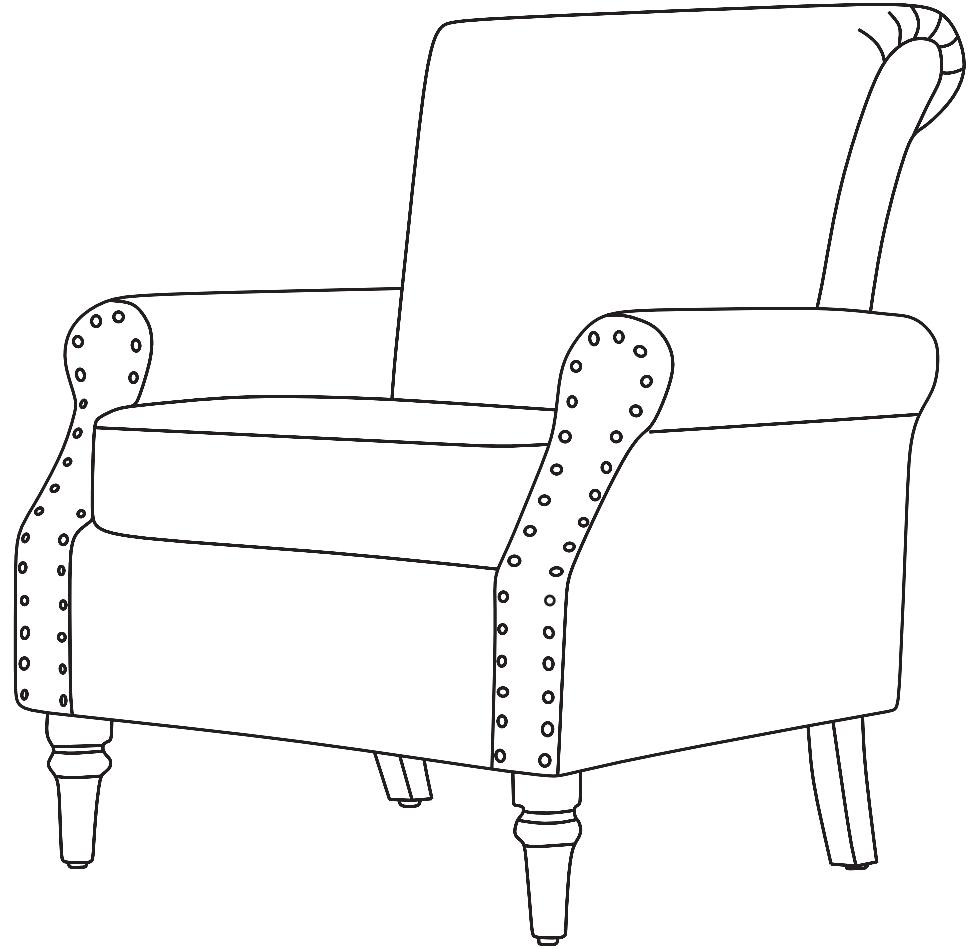


Instruction Manual

User Guide

Make life better

Warm tips: We are proud of high-quality products and satisfactory service, but the goods may encounter special circumstances during transportation, if you receive the goods with missing or damaged parts, please take photos and contact our customer service before returning the goods , we will customize a solution that satisfies you, thank you.



Instruction

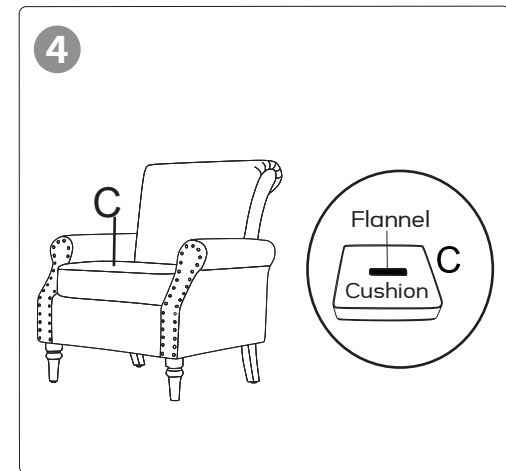
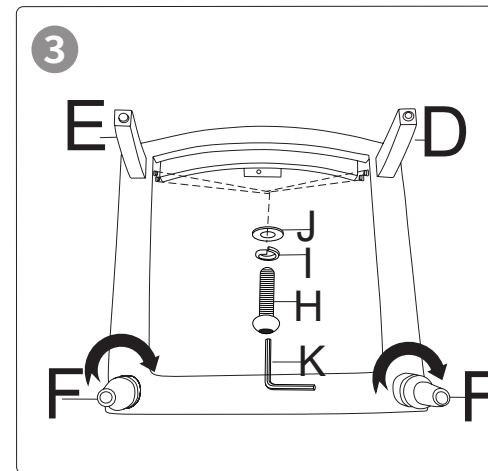
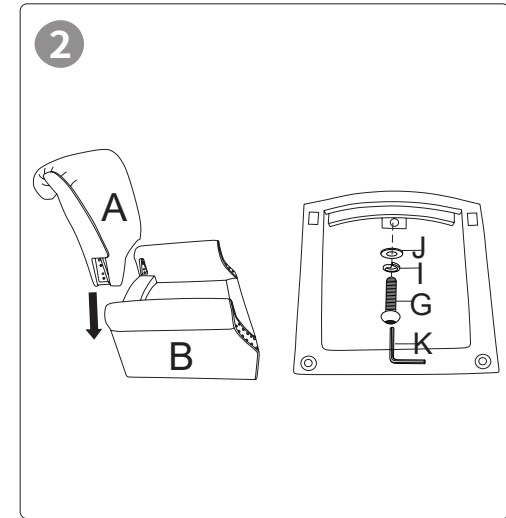
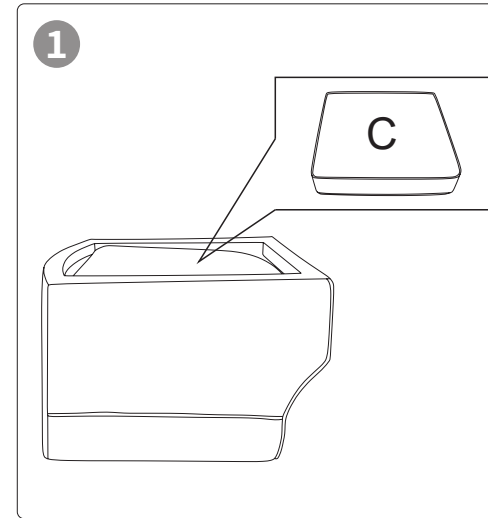
NO	DESCRIPTION		QTY
A	Backrest		1
B	Saddle Frame		1
C	Cushion		1
D	Right Rear Leg		1
E	Left Rear Leg		1
F	Front Legs		2
G	Screw	$\Phi 5/16$ "*4-3/4"L 	1
H	Screw	$\Phi 5/16$ "*1-3/4"L 	4
I	Lock Washer	$\Phi 5/16$ 	5
J	Flat Washer	$\Phi 5/16$ "*22mm 	5
K	Allen Wrench	$\Phi 5$ MM 	1

Note:

1. During the assembly process of a product, if you need to install multiple screws, you can first align all the screws with the holes, first rotate a few times to fix the positions of all the screws. and after all the screws are aligned with the holes, use a wrench to completely tighten in turn.

2. Flat washers and lock washers must be installed to prevent the screws from loosening and damaging the joints

Installation Method



- 1 Open the package, tear off the Velcro at the bottom of the seat and take out the cushion.
- 2 Align the latch slot, insert the backrest into the latches on both sides, flip the sofa over, and tighten the backrest screws.
- 3 Tighten the front legs clockwise, then insert and tighten with screws as shown in the figure.
- 4 Tear off the fleece at the bottom of the cushion, and then stick the cushion to the seat.