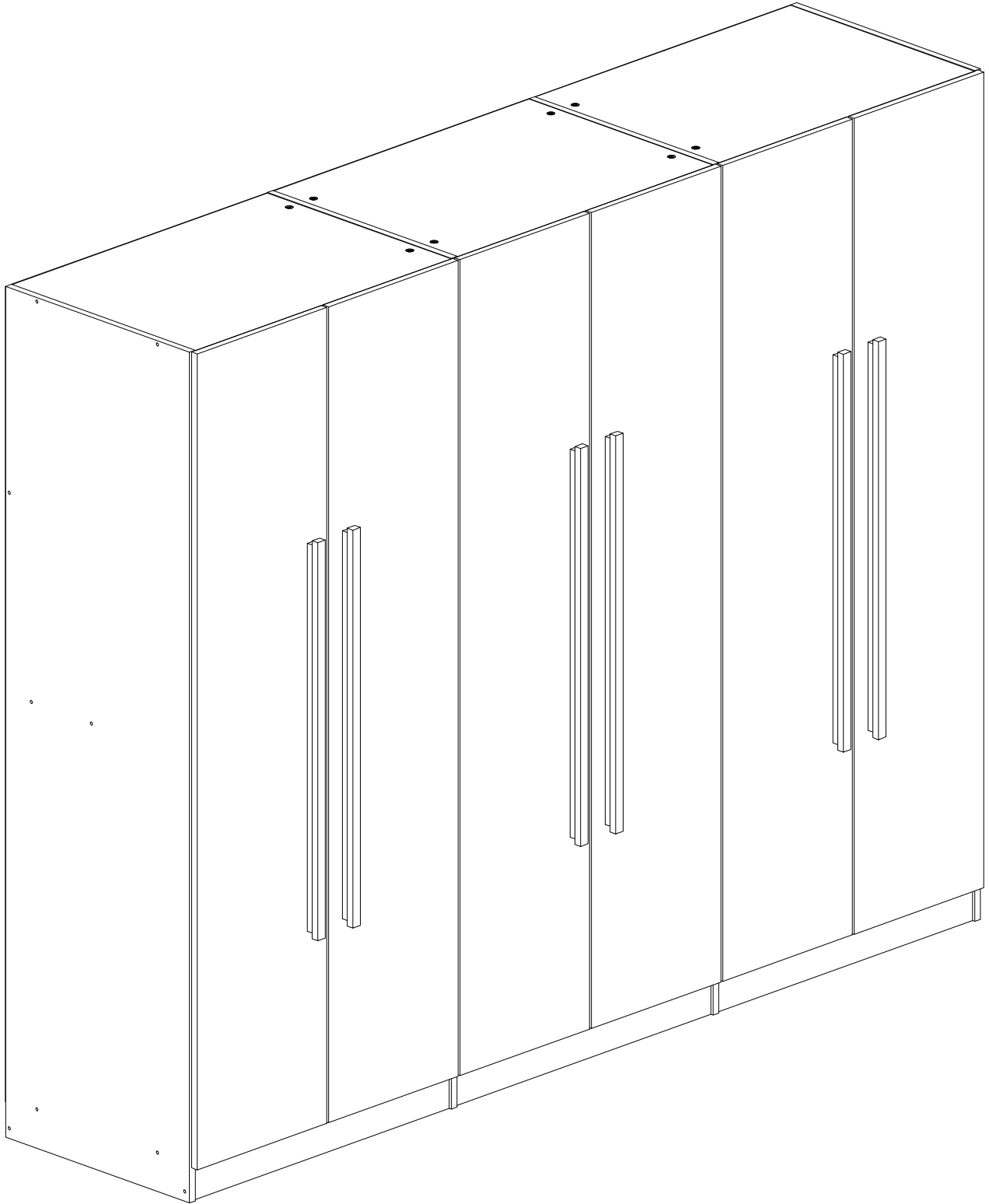
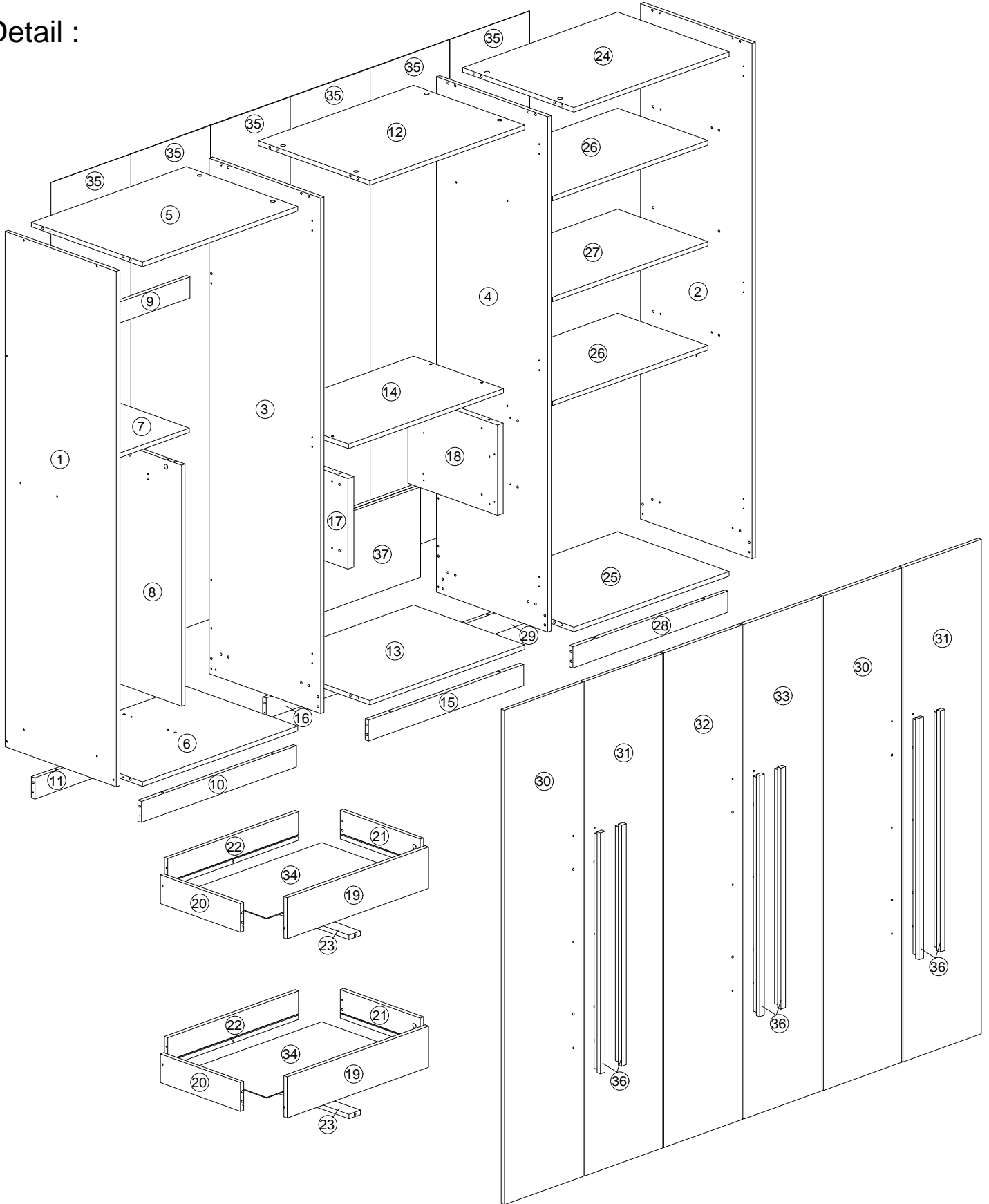


Assembly Instruction



Assembly Instruction

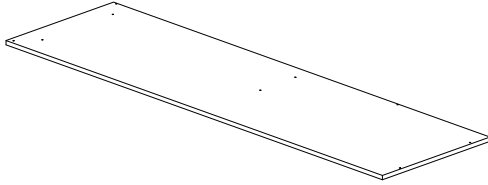
Detail :



Assembly Instruction

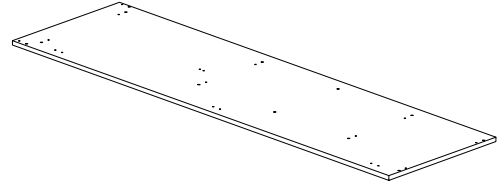
Part List

① X 1



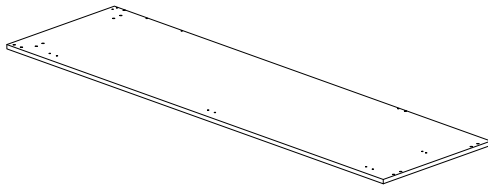
Side Panel Left

② X 1



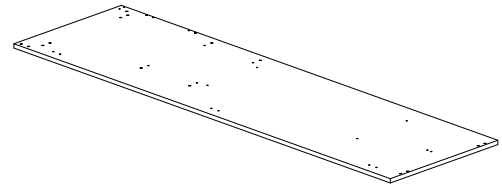
Side Panel Right

③ X 1



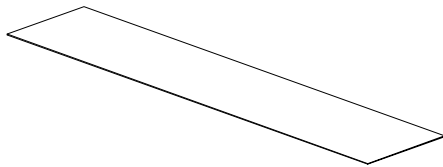
Center Panel Left

④ X 1



Center Panel Right

③⑤ X 6

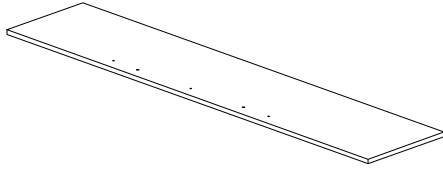


Back Panel

Assembly Instruction

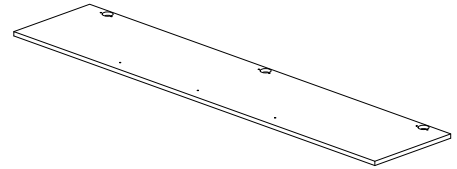
Part List

③⑩ X 2



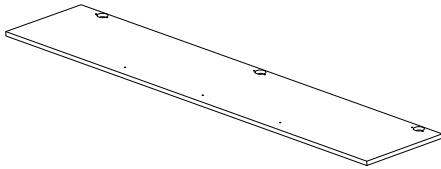
Door Panel Left

③① X 2



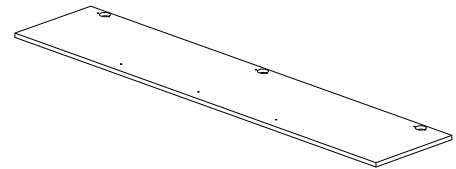
Door Panel Right

③② X 1



Door Center Panel Left

③③ X 1

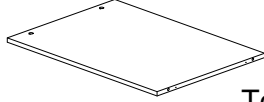


Door Center Panel Right

Assembly Instruction

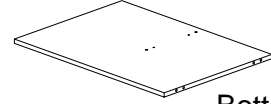
Part List

⑤ X 1



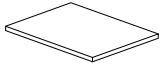
Top Panel - Left

⑥ X 1



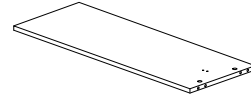
Bottom Panel - Left

⑦ X 1



Top Panel Small - Left

⑧ X 1



Center Panel - Left

⑨ X 1



Support Panel - Left

⑩ X 1



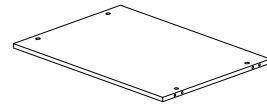
Bottom Support Panel Front - Left

⑪ X 1



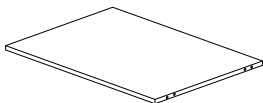
Bottom Support Panel Back - Left

⑫ X 1



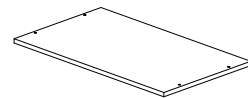
Top Panel - Center

⑬ X 1



Bottom Panel - Center

⑭ X 1



Partition Panel - Center

⑮ X 1



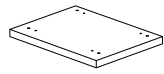
Bottom Support Panel Front - Center

⑯ X 1



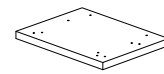
Bottom Support Panel Back - Center

⑰ X 1



Side Support Panel Left - Center

⑱ X 1



Side Support Panel Right - Center

⑲ X 2



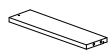
Drawer Front - Center

⑳ X 2



Drawer Side Panel Left - Center

㉑ X 2



Drawer Side Panel Right - Center

㉒ X 2



Drawer Back Panel - Center

Assembly Instruction

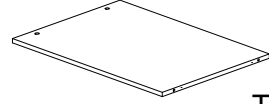
Part List

②③ X 2



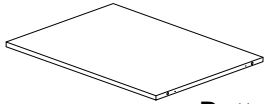
Drawer Support Panel - Center

②④ X 1



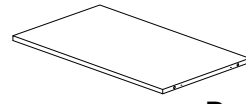
Top Panel - Right

②⑤ X 1



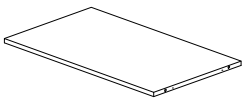
Bottom Panel - Right

②⑥ X 2



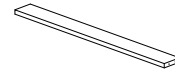
Partition Panel - Right

②⑦ X 1



Partition Hole Panel - Right

②⑧ X 1



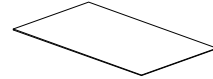
Bottom Support Panel Front - Right

②⑨ X 1



Bottom Support Panel Back - Right

③④ X 2



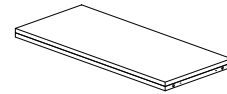
Drawer Bottom Panel - Center

③⑥ X 6



Door Handle Panel

③⑦ X 1




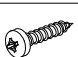


Back Panel Small

Assembly Instruction

Hardware List

No.	SHAPE	DESCRIPTION	Qty.
A		8x25mm Dowel (Wood)	96Pcs
B		Minifix	28Pcs
C		33mm Myfix	8Pcs
D		63mm Myfix	10Pcs
E		M3.5x16mm Screw	160Pcs
F		M4x45mm Screw	44Pcs
G		M3.5x12mm Screw	12Pcs
H		V Bracket	8Pcs
I		M4x38mm Screw	26Pcs
J		Hinges 2/8	18Pcs
K		5/8 Nail With Pin	8Pcs
L		6/8 Power Pin	70Pcs
M		Drawer Slide (350mm)	2Sets
N		Aluminium Pipe(356mm)	1Pc
O		Aluminium Pipe(673mm)	3Pcs
P		L Bracket	6Pcs
Q		Sticker	23Pcs
R		8x20mm Dowel (Wood)	8Pcs

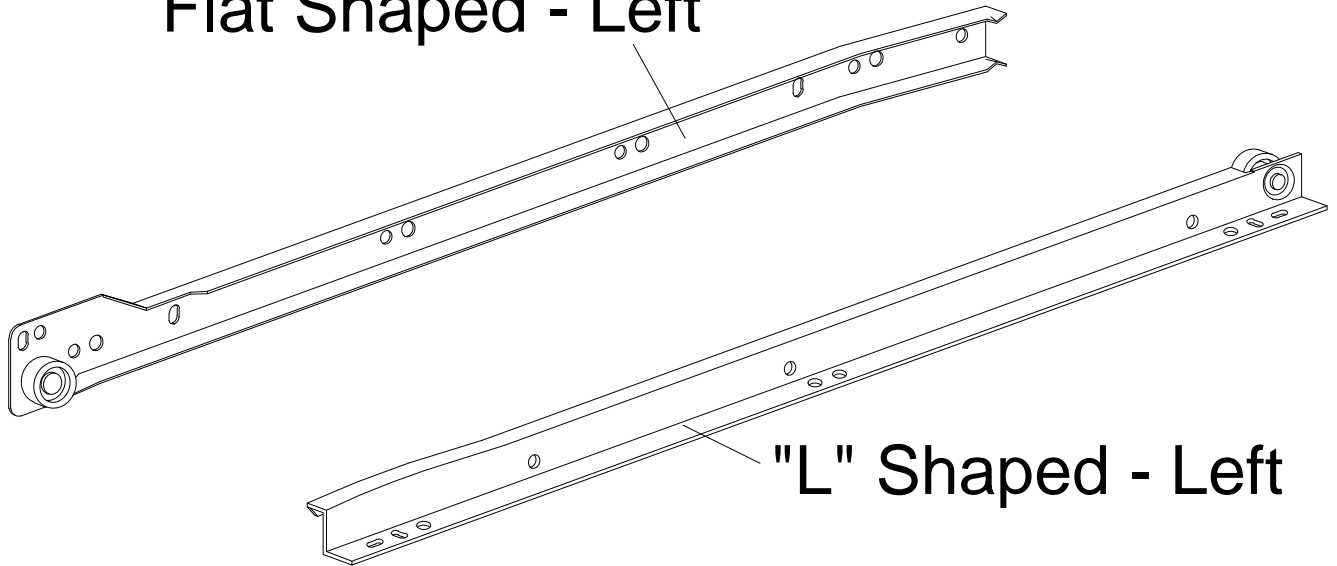
Anti Tipping Hardware (Box)

No.	SHAPE	DESCRIPTION	Qty.
a		Mounting Bracket	2Pcs
b		TP 6# x 5/8" Screw	1Pc
c		TP 8# x 2" Screw	1Pc
d		Restraint Strap	1Pc

Assembly Instruction

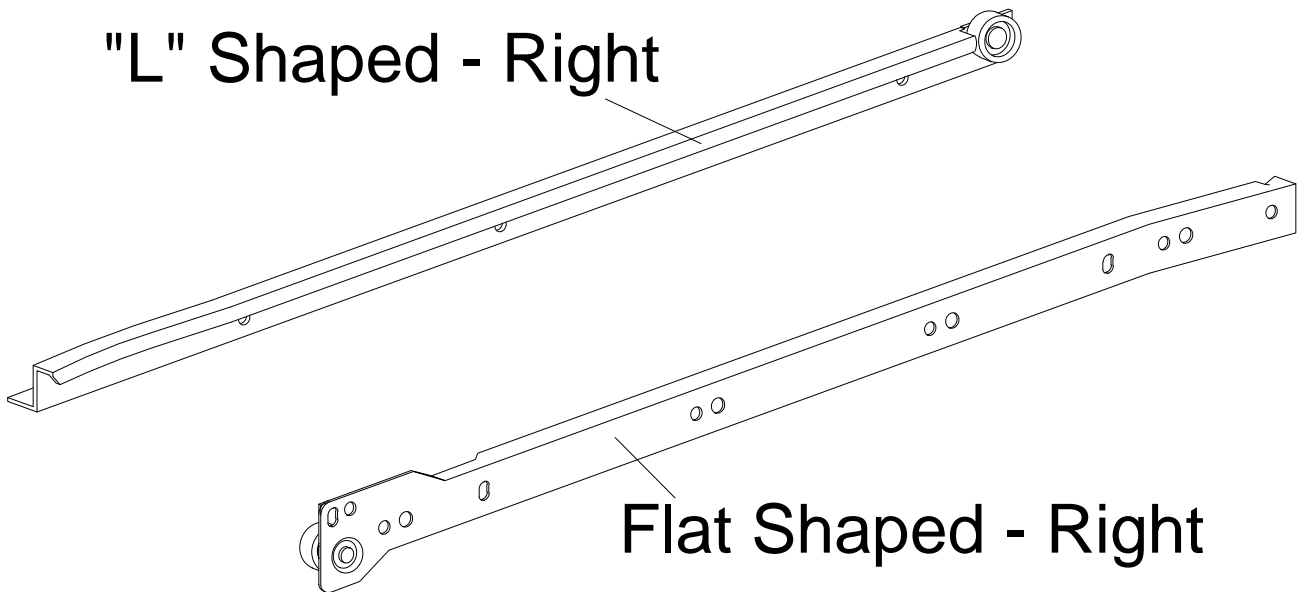
Left Drawer Silde (M)

Flat Shaped - Left



Right Drawer Silde (M)

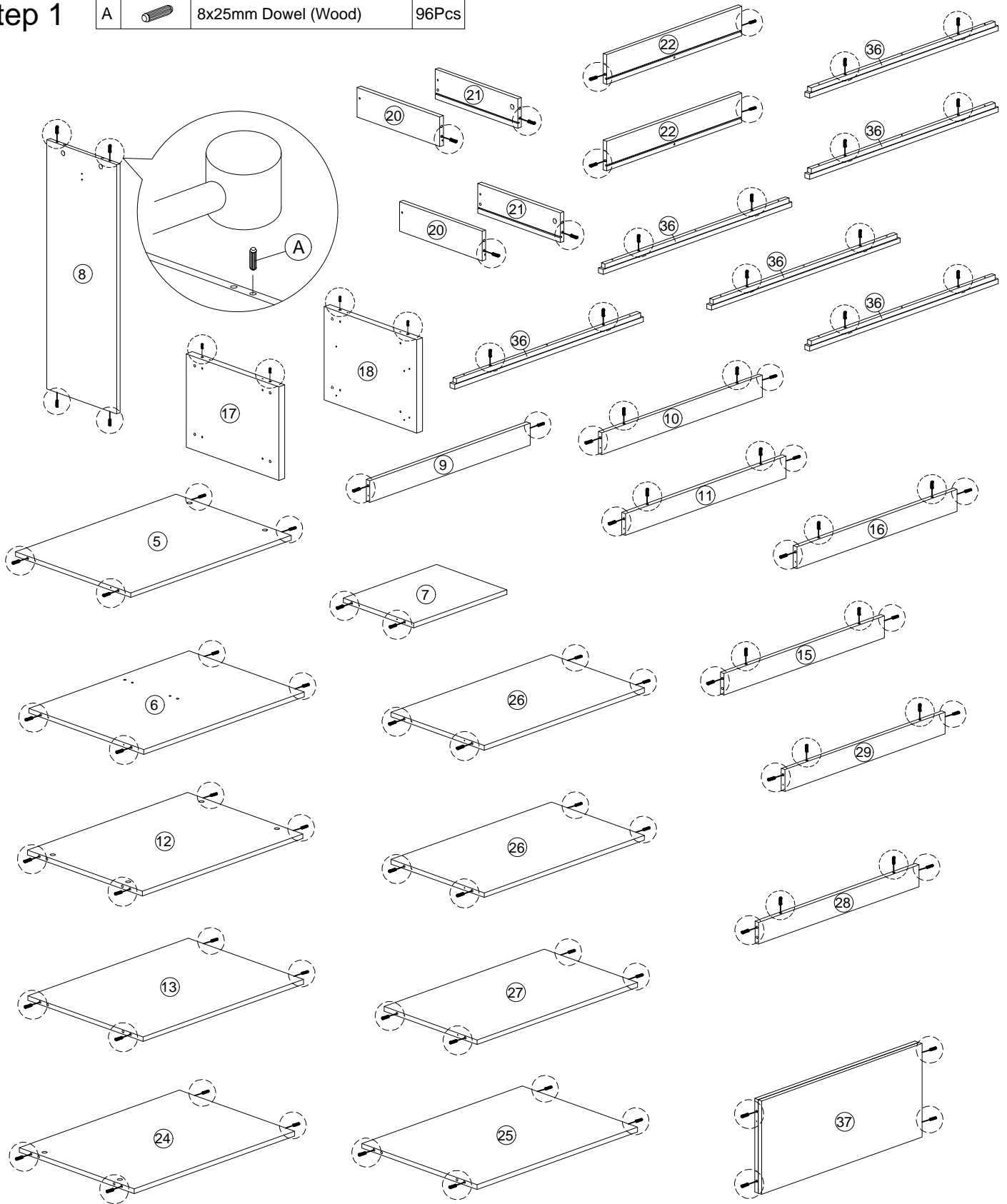
"L" Shaped - Right



Assembly Instruction


Step 1

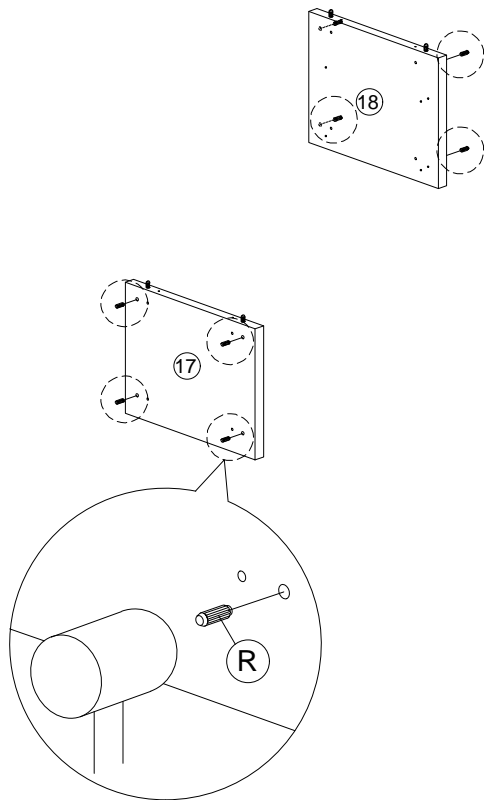
A		8x25mm Dowel (Wood)	96Pcs
---	--	---------------------	-------



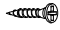

Assembly Instruction

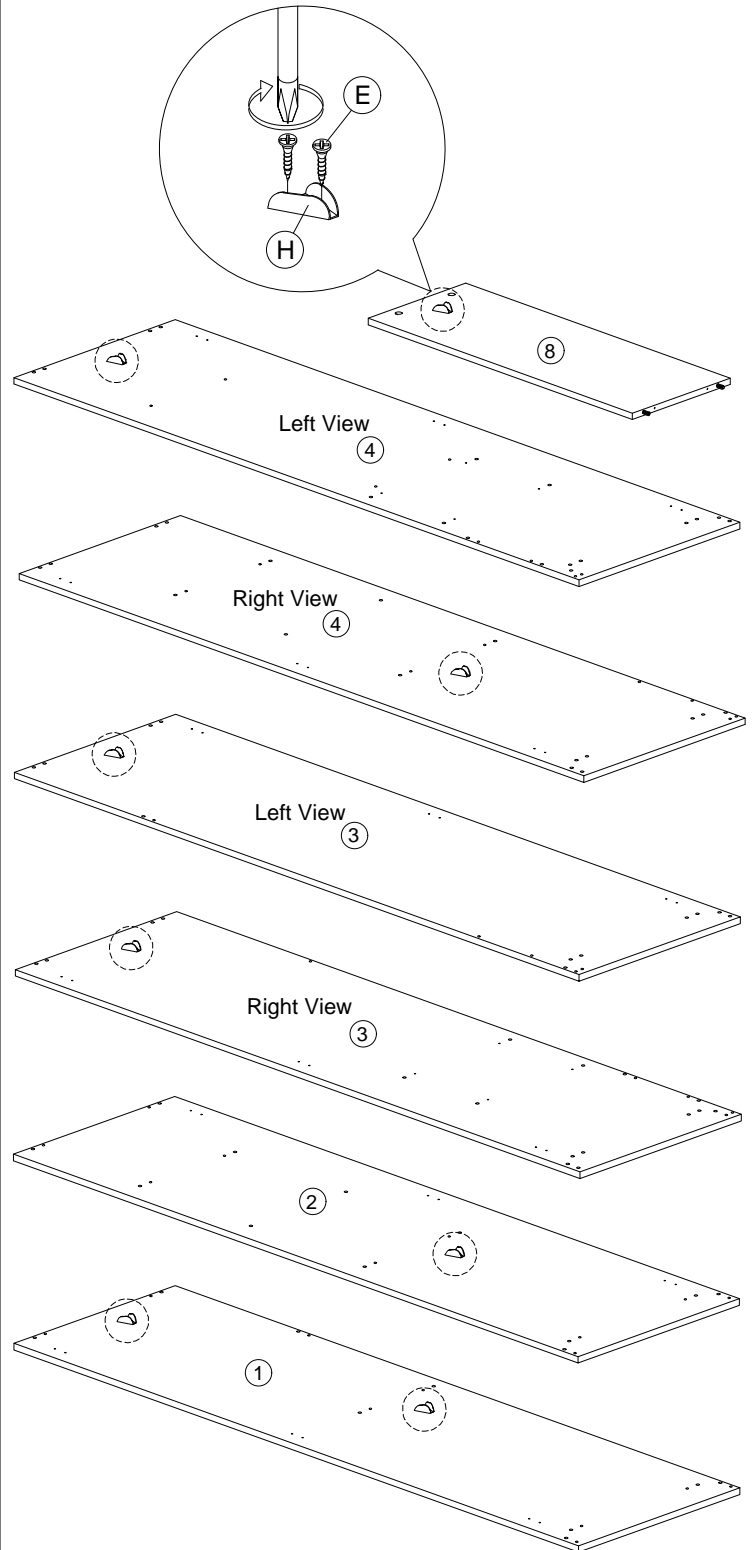
Step 2

R		8x20mm Dowel (Wood)	8Pcs
---	---	---------------------	------




Step 3

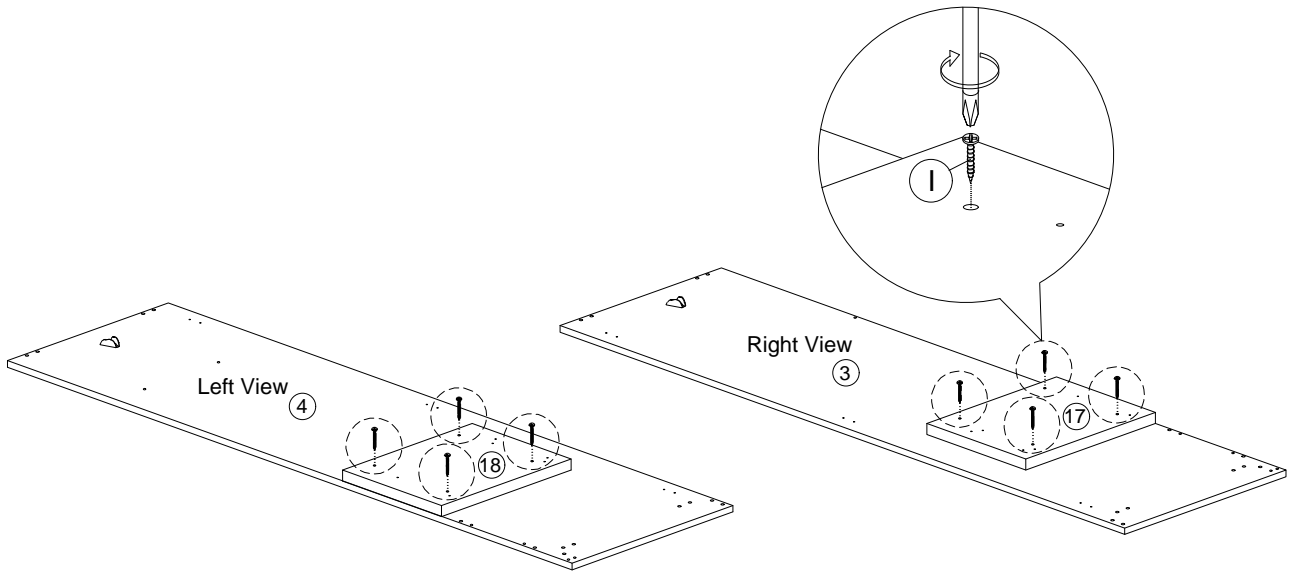
E		M3.5x16mm Screw	16Pcs
H		V Bracket	8Pcs



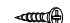

Assembly Instruction


Step 4

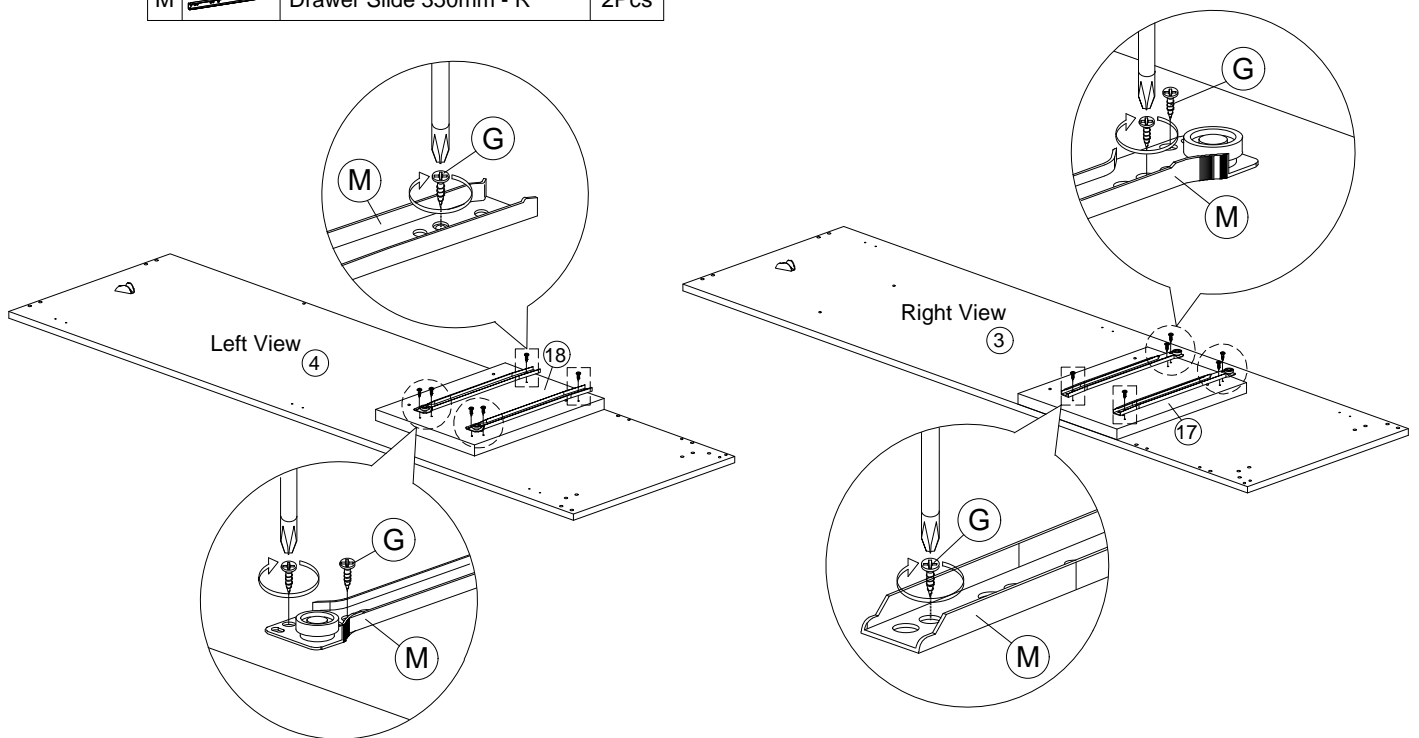
I		M4x38mm Screw	8Pcs
---	---	---------------	------



Step 5

G		M3.5x12mm Screw	12Pcs
M		Drawer Slide 350mm - R	2Pcs

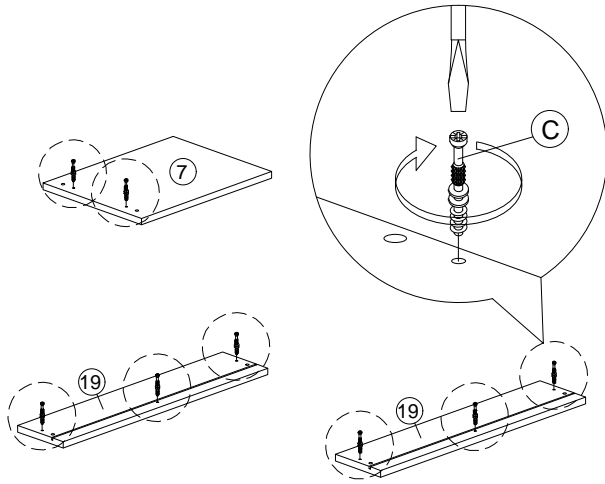
M		Drawer Slide 350mm - L	2Pcs
---	---	------------------------	------



Assembly Instruction

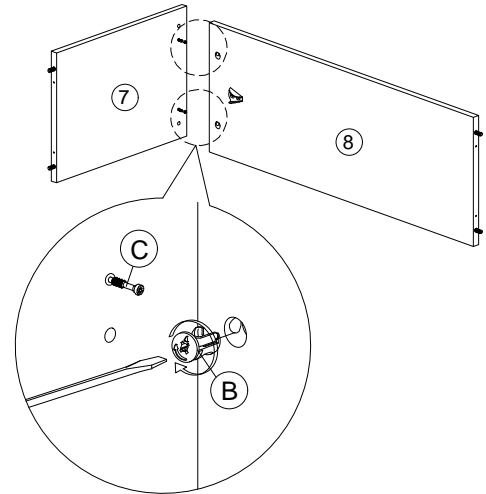
Step 6

C  Myfix 8Pcs

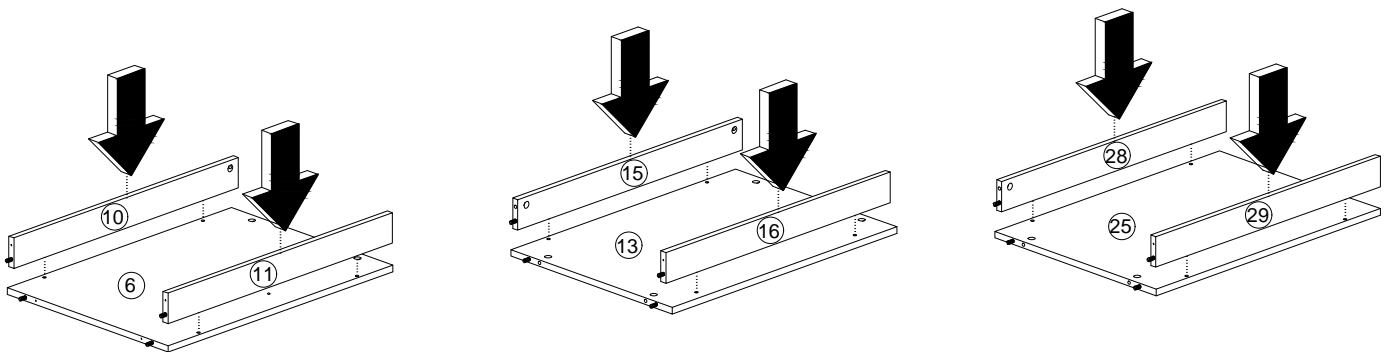


Step 7

B  Minifix 2Pcs




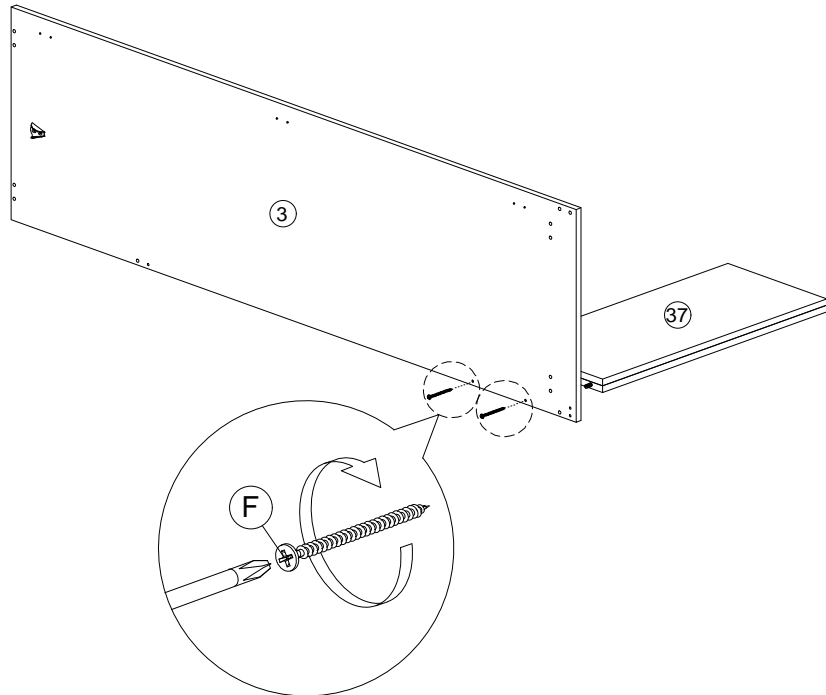
Step 8



Assembly Instruction


Step 9

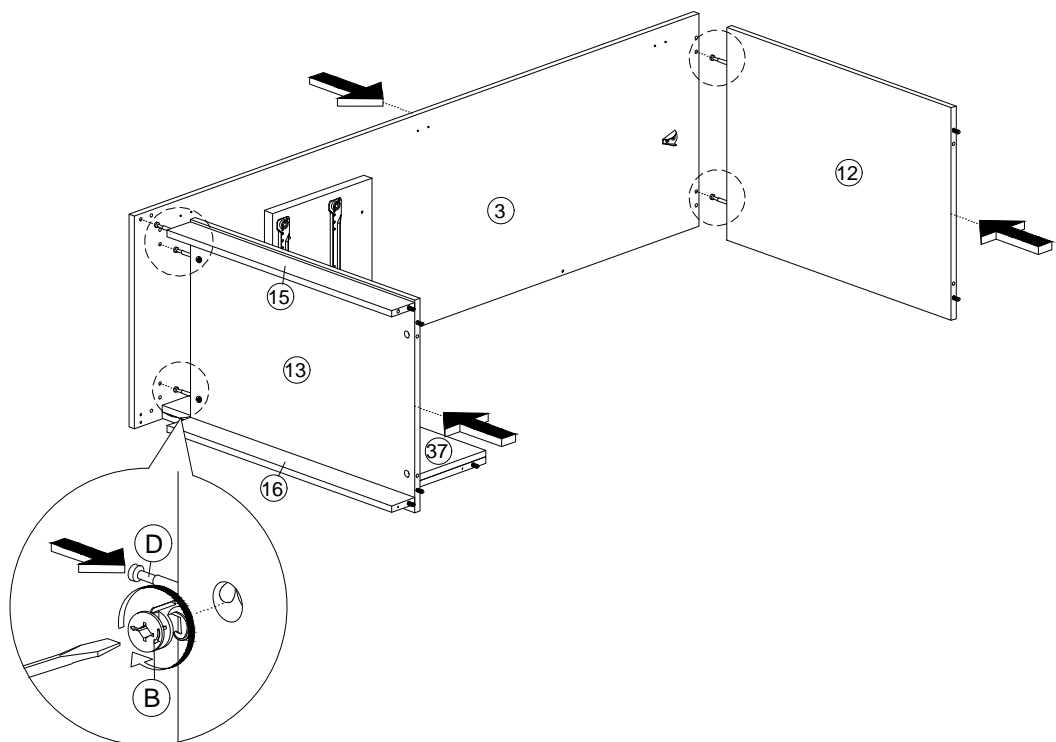
F		M4x45mm Screw	2Pcs
---	---	---------------	------



Step 10


B		Minifix	5Pcs
---	---	---------	------

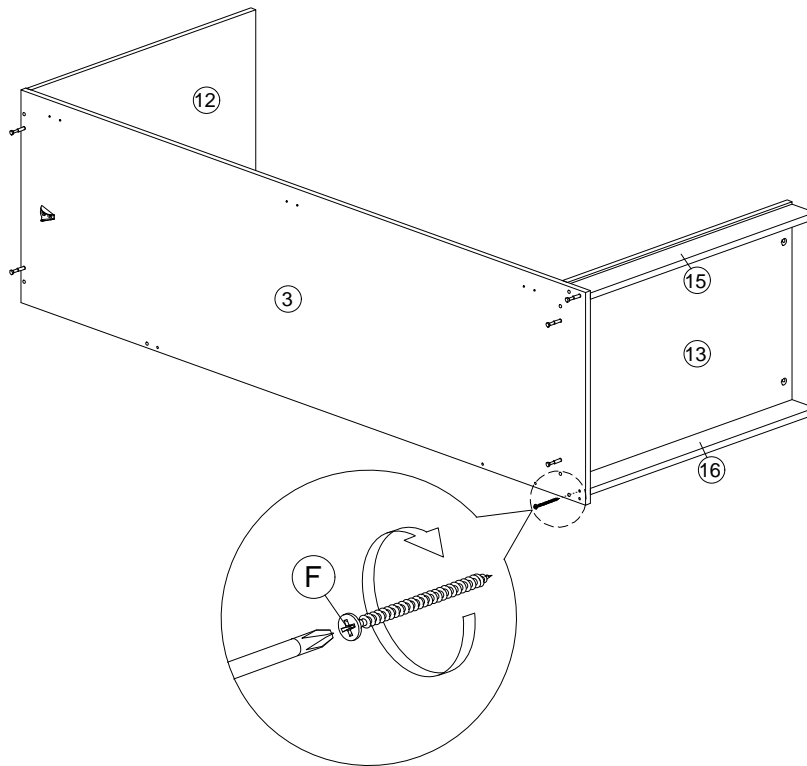
D		63mm Myfix	5Pcs
---	---	------------	------



Assembly Instruction

Step 11

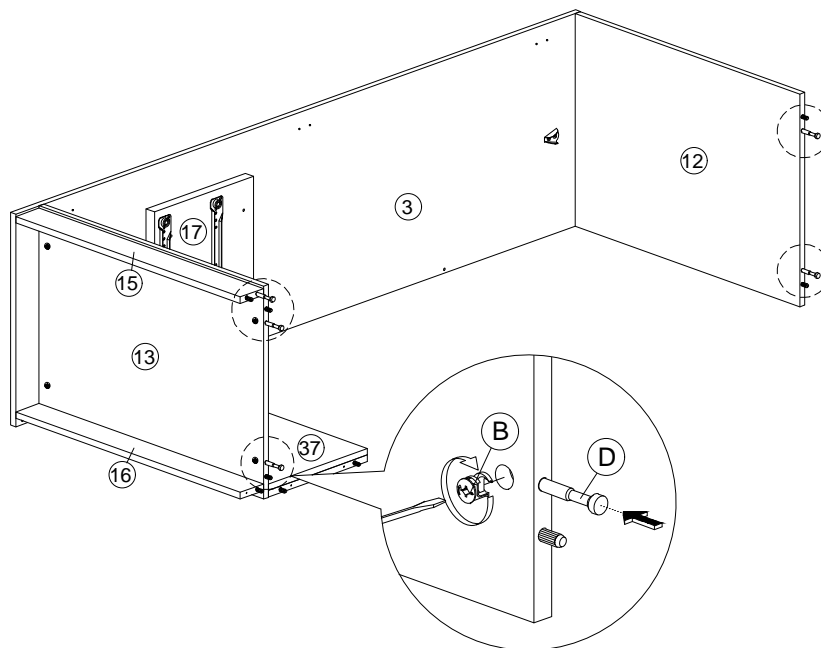
F		M4x45mm Screw	1Pc
---	---	---------------	-----



Step 12

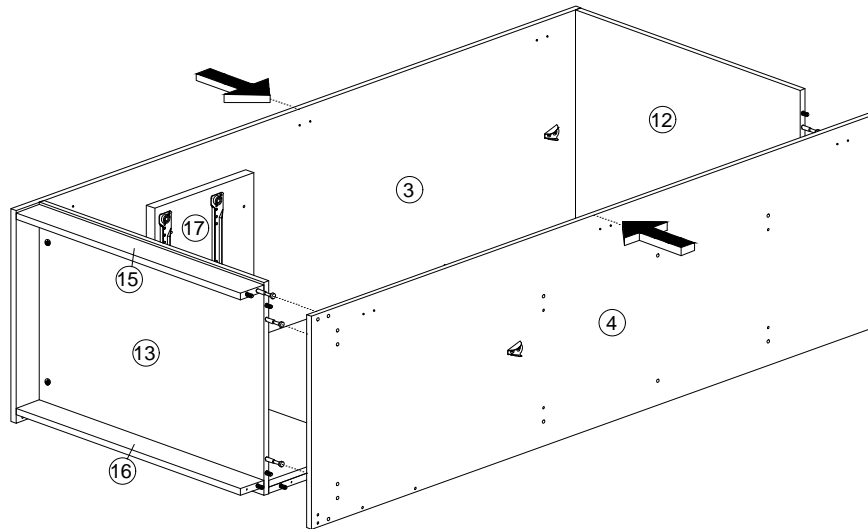
B		Minifix	5Pcs
---	---	---------	------

D		63mm Myfix	5Pcs
---	---	------------	------




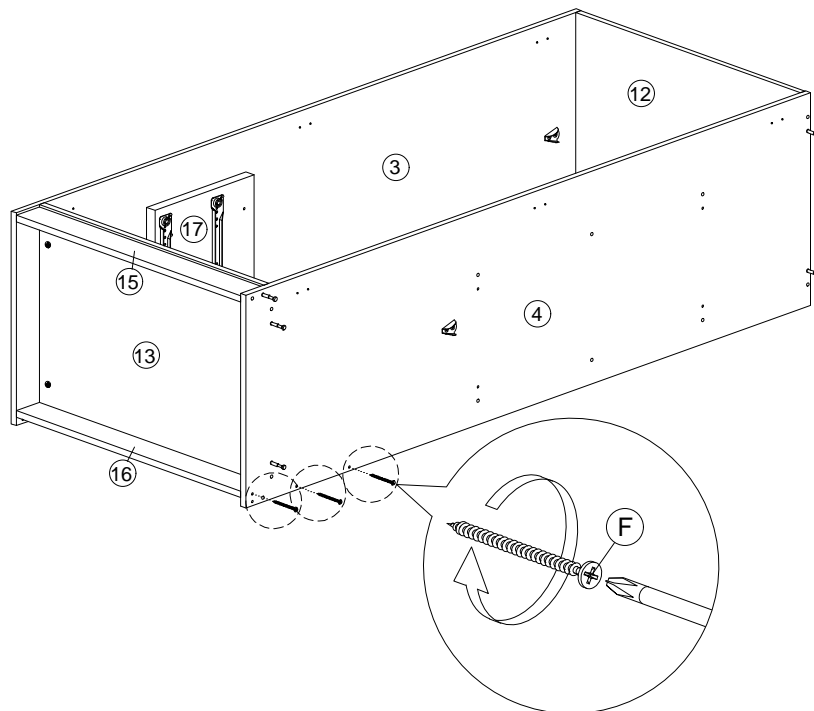
Assembly Instruction

Step 13




Step 14

F		M4x45mm Screw	3Pcs
---	---	---------------	------

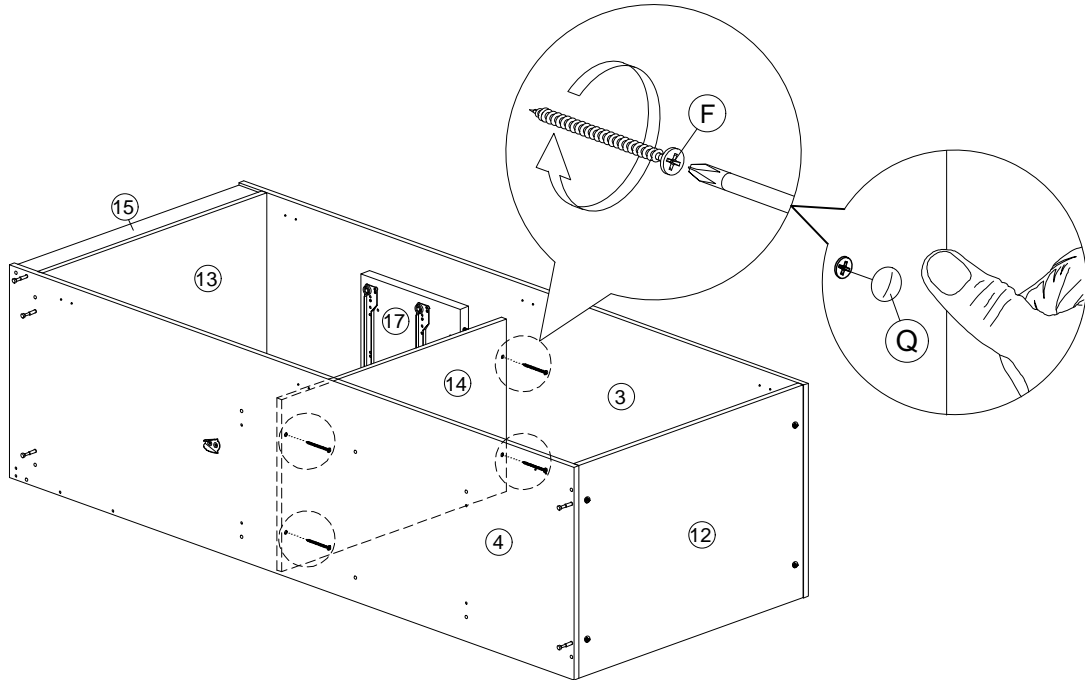


Assembly Instruction


Step 15

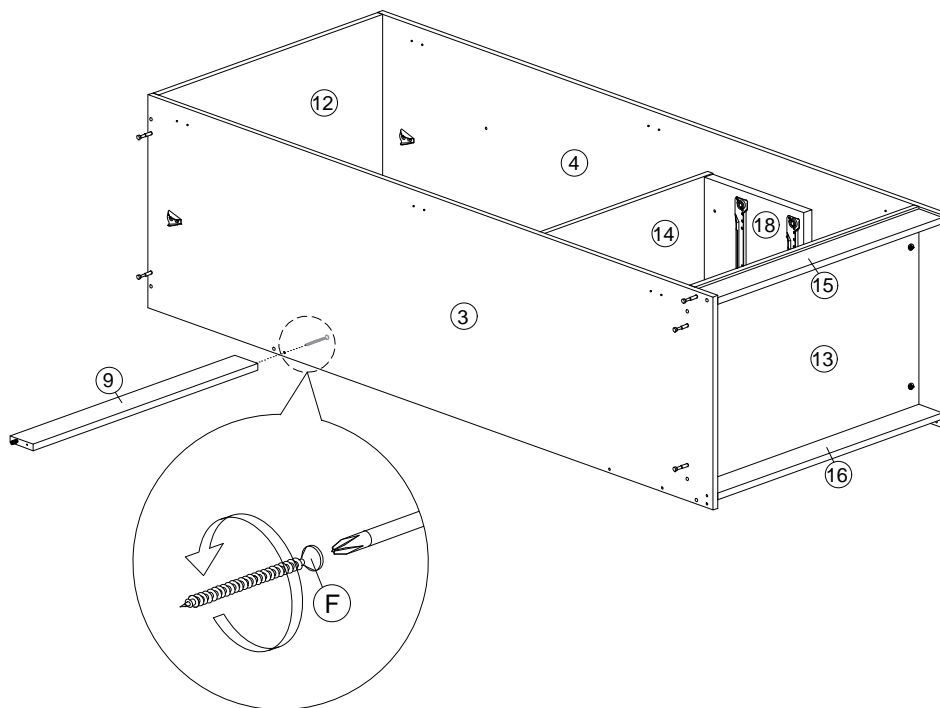
F		M4x45mm Screw	4Pcs
---	---	---------------	------

Q		Sticker	4Pcs
---	---	---------	------



Step 16

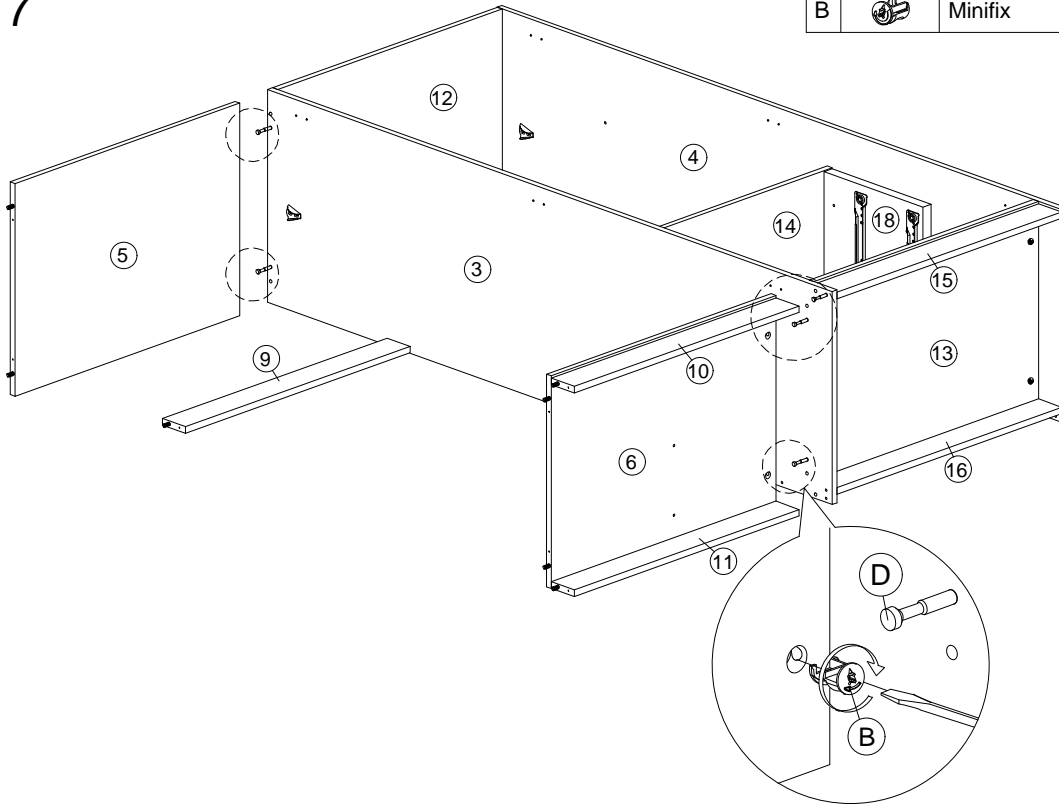
F		M4x45mm Screw	1Pc
---	---	---------------	-----




Assembly Instruction

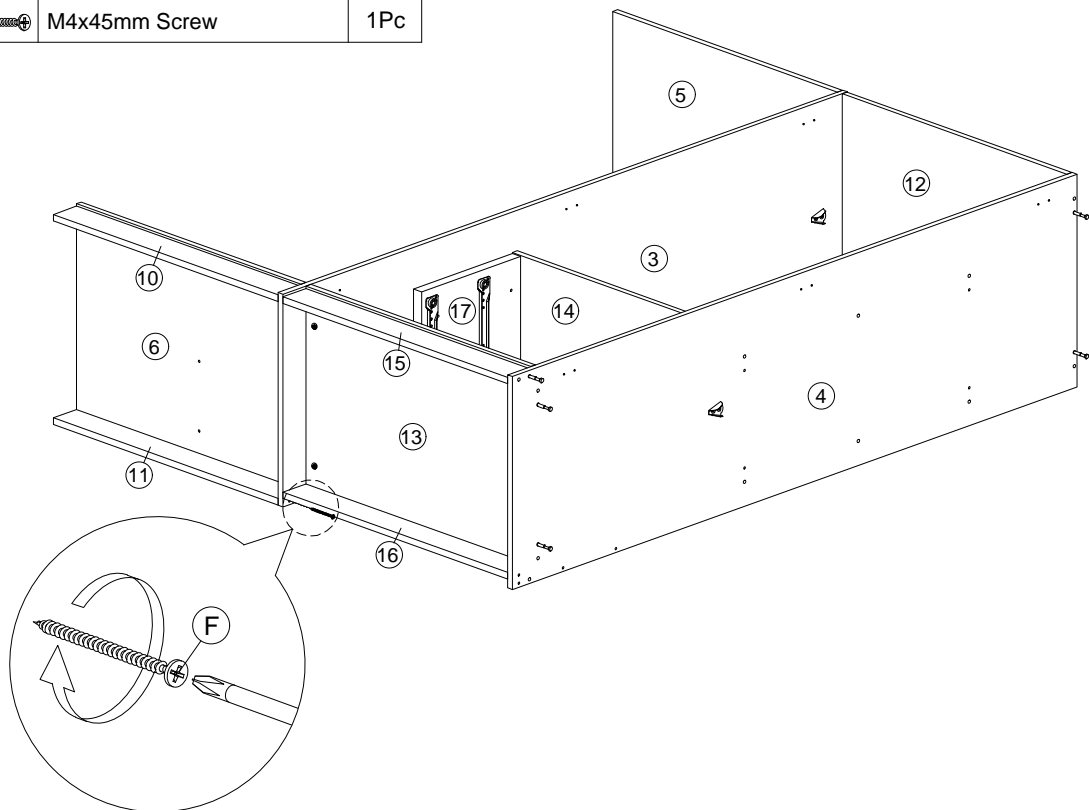
Step 17

B		Minifix	5Pcs
---	---	---------	------



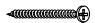
Step 18

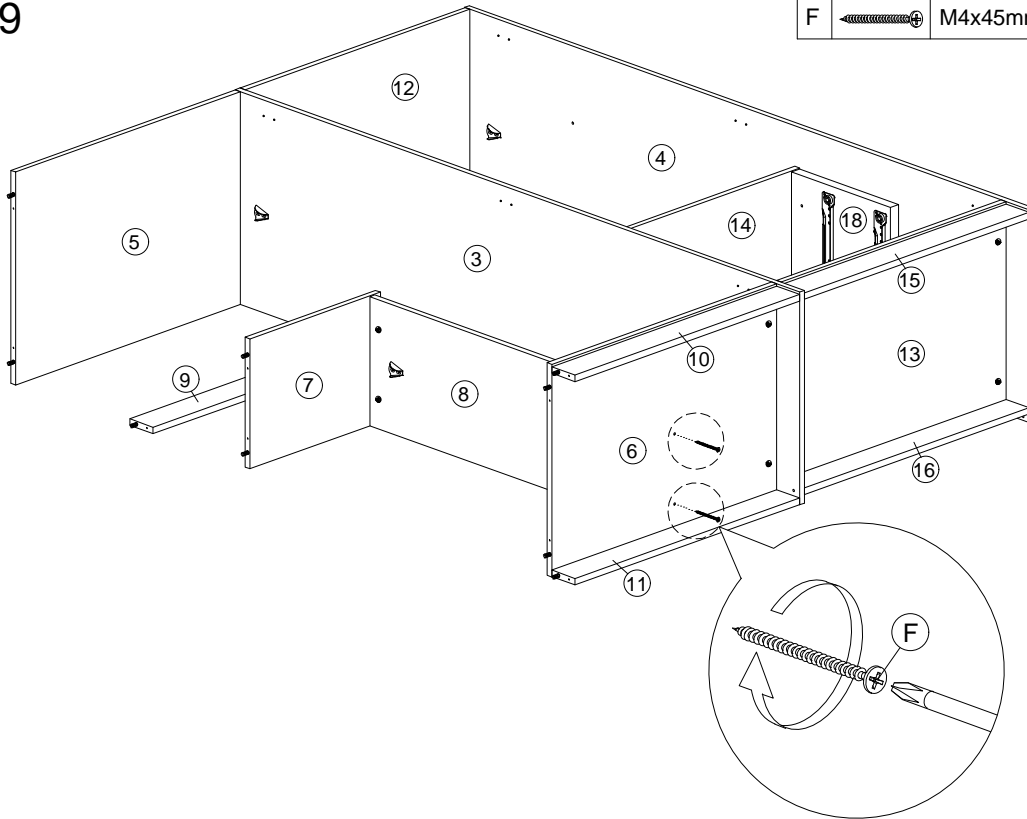
F		M4x45mm Screw	1Pc
---	---	---------------	-----




Assembly Instruction


Step 19

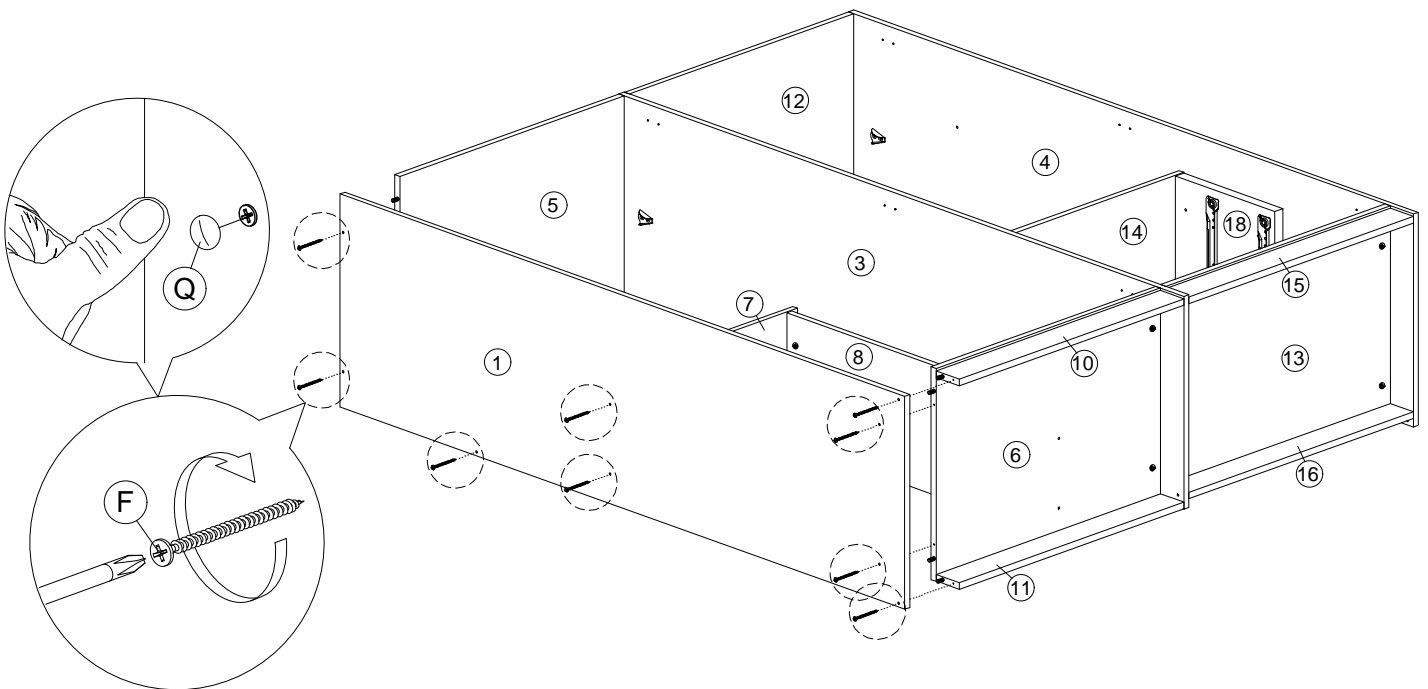
F		M4x45mm Screw	2Pcs
---	---	---------------	------



Step 20


F		M4x45mm Screw	9Pcs
---	---	---------------	------

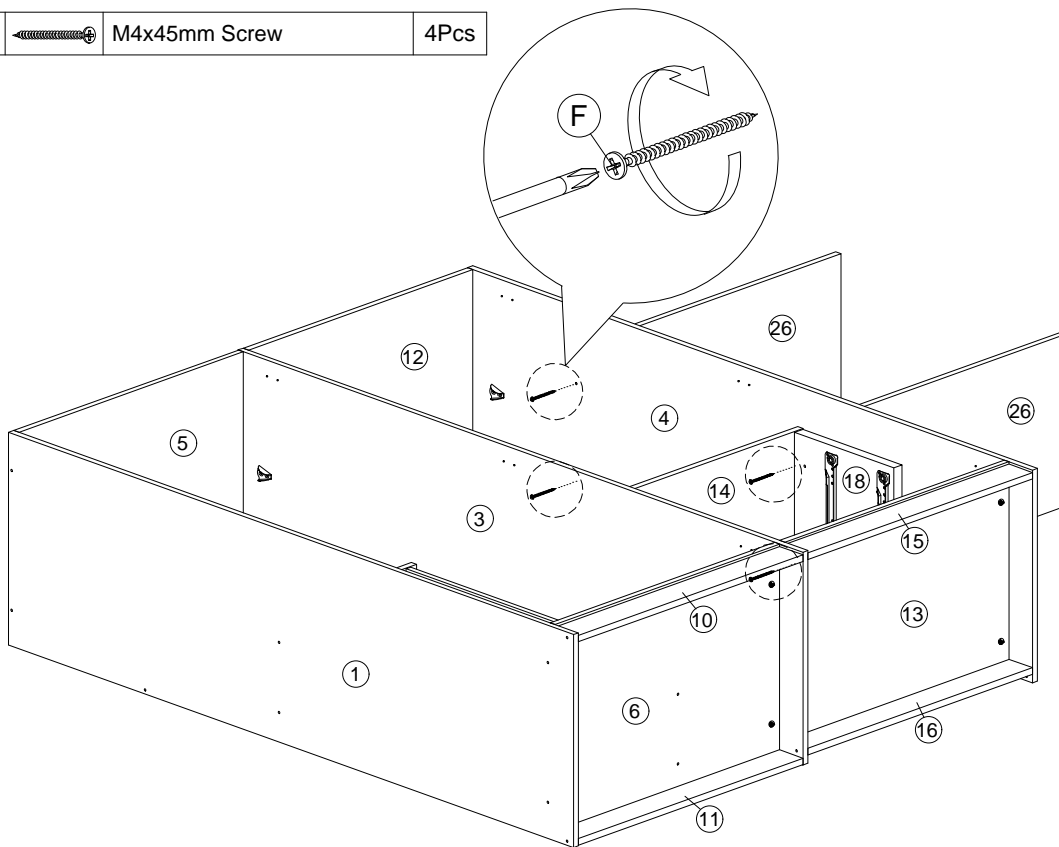
Q		Sticker	9Pcs
---	---	---------	------



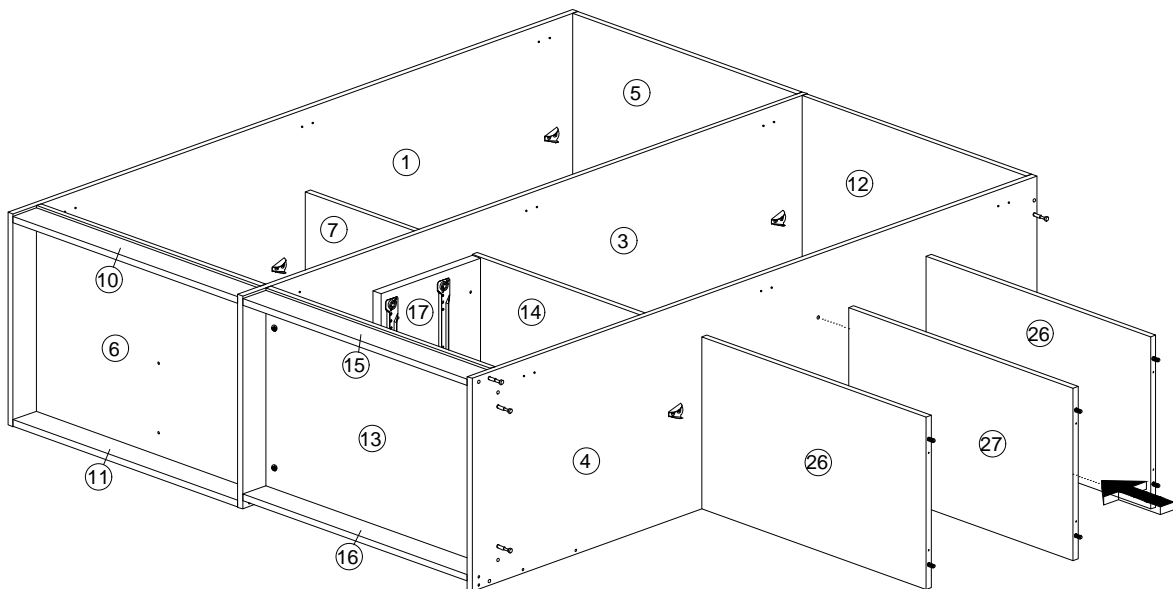
Assembly Instruction

Step 21

F  M4x45mm Screw 4Pcs



Step 22



Assembly Instruction

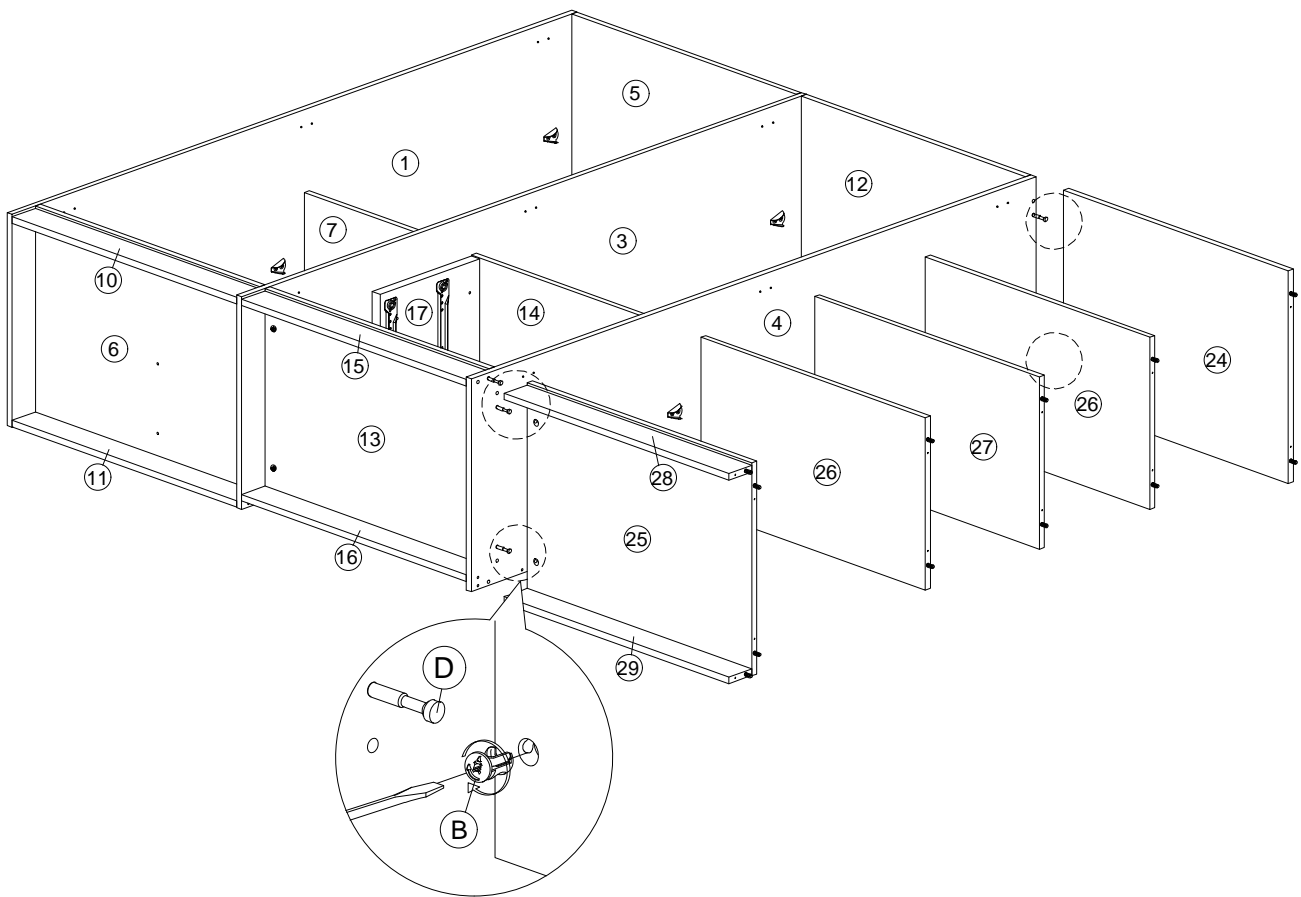
Step 23

B



Minifix

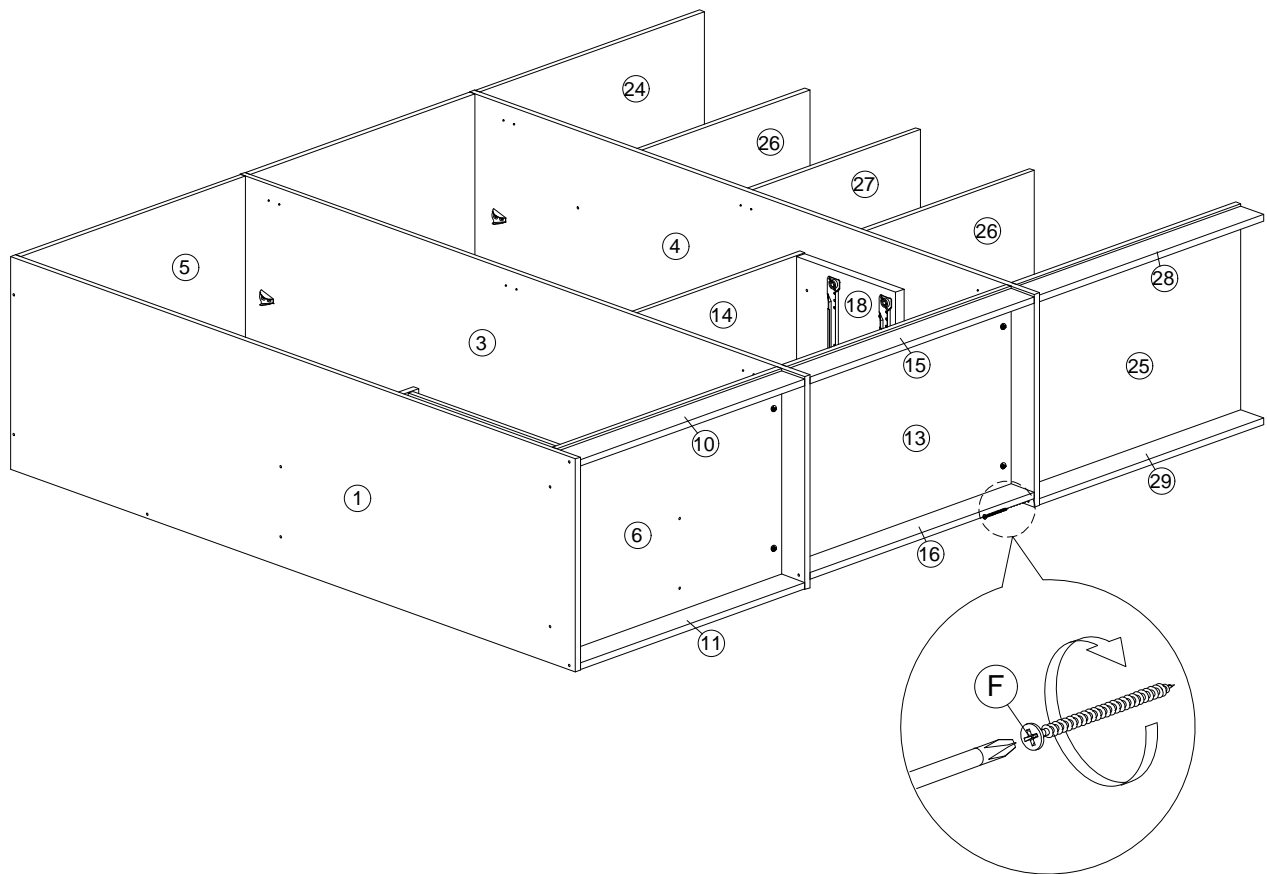
5Pcs



Assembly Instruction


Step 24

F		M4x45mm Screw	1Pc
---	---	---------------	-----

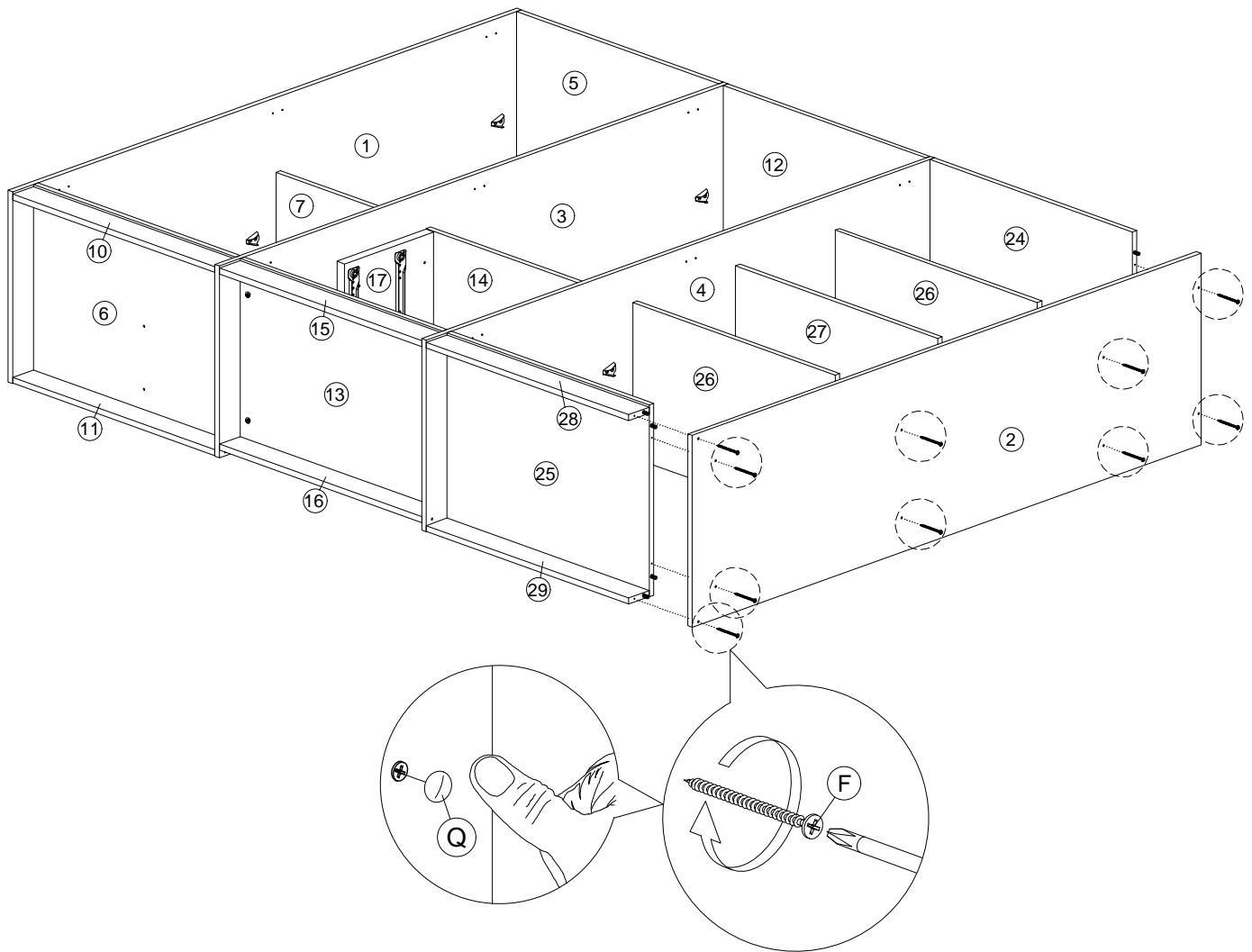


Assembly Instruction

Step 25


F		M4x45mm Screw	10Pcs
---	---	---------------	-------

Q		Sticker	10Pcs
---	---	---------	-------

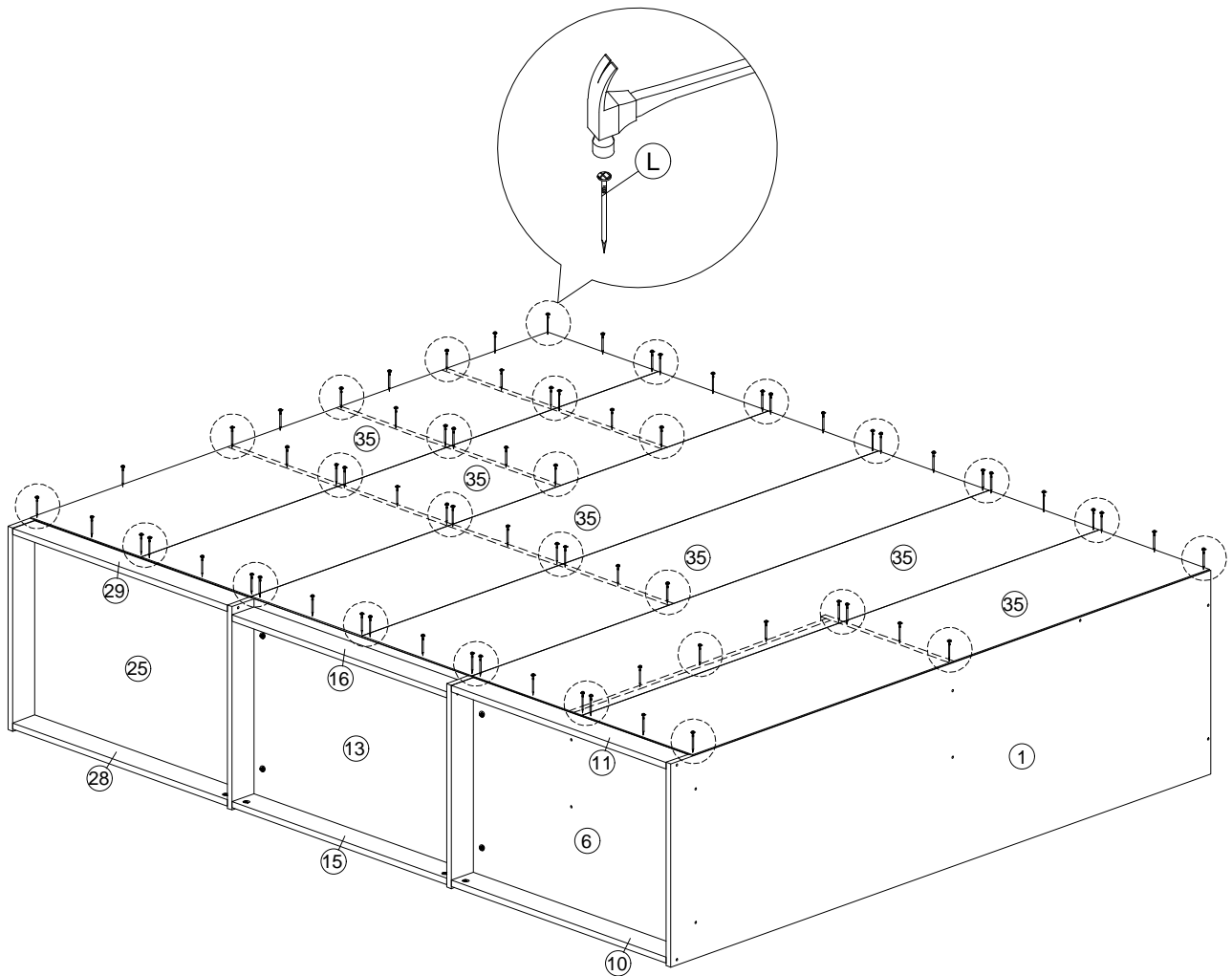


Assembly Instruction

Step 26

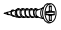
L		6/8 Power Pin	70Pcs
---	---	---------------	-------

* Flip to the back view

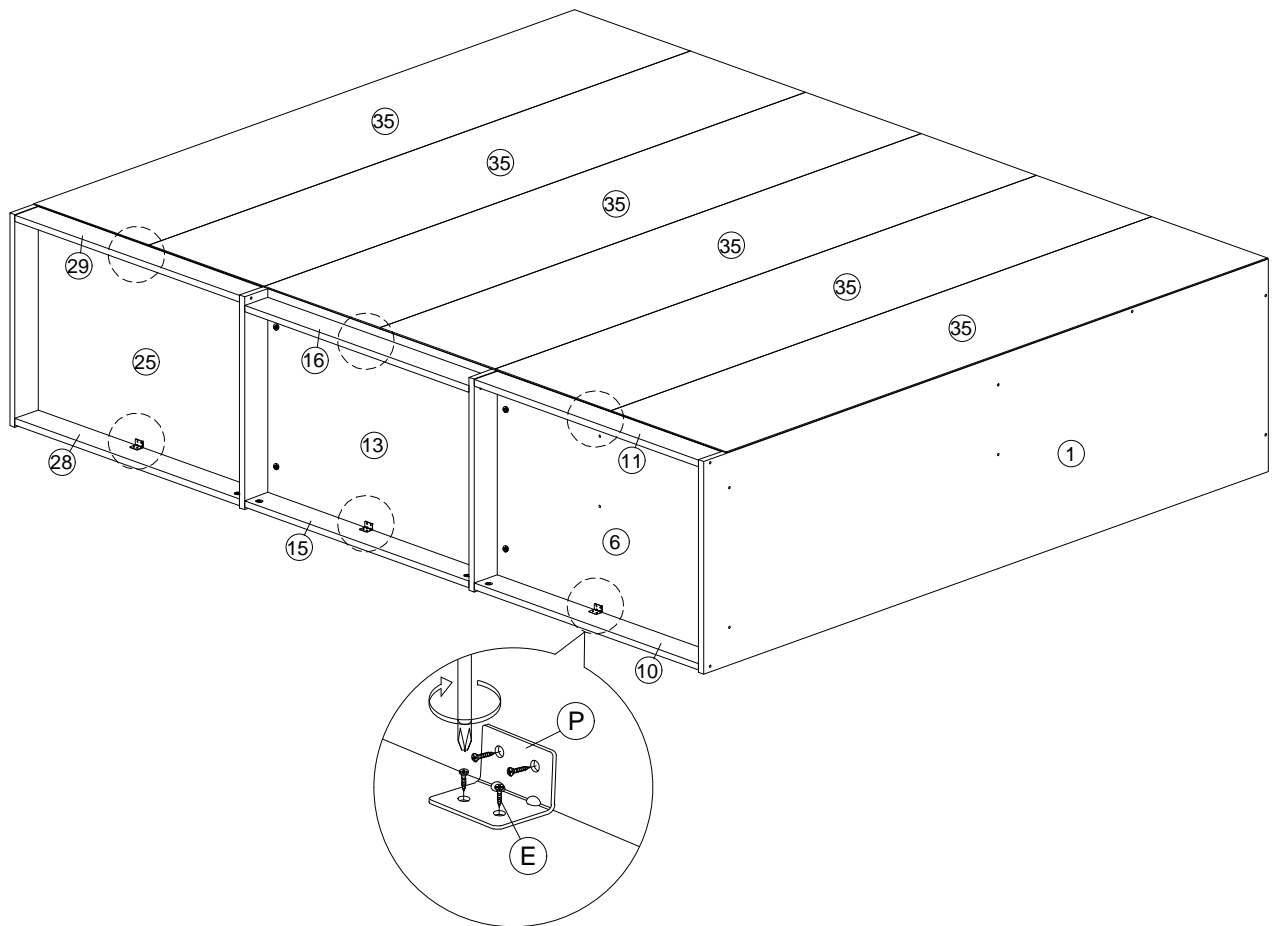


Assembly Instruction

Step 27

E  M3.5x16mm Screw 24Pcs

P  L Bracket 6Pcs



Assembly Instruction

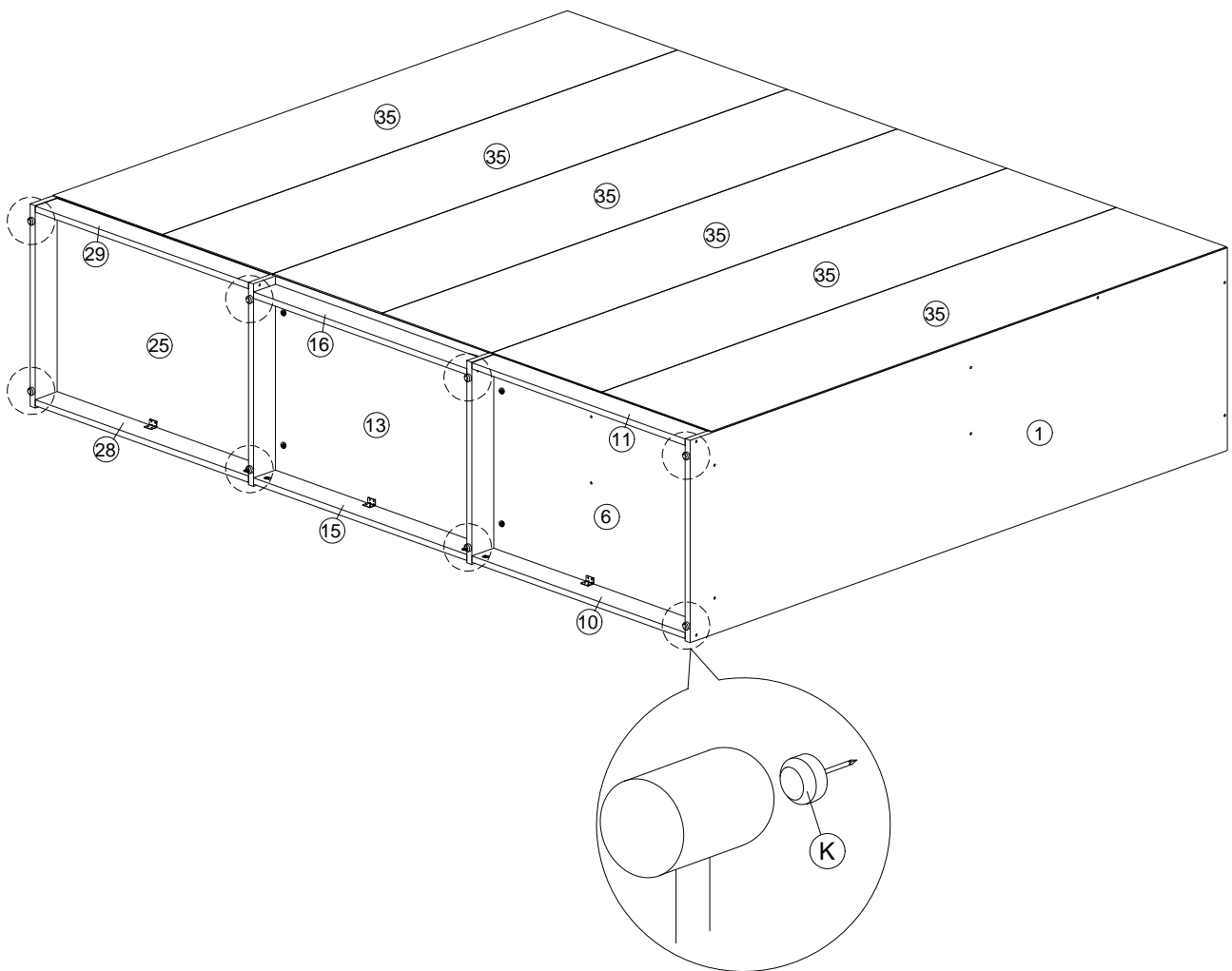
Step 28

K




5/8 Nail With Pin

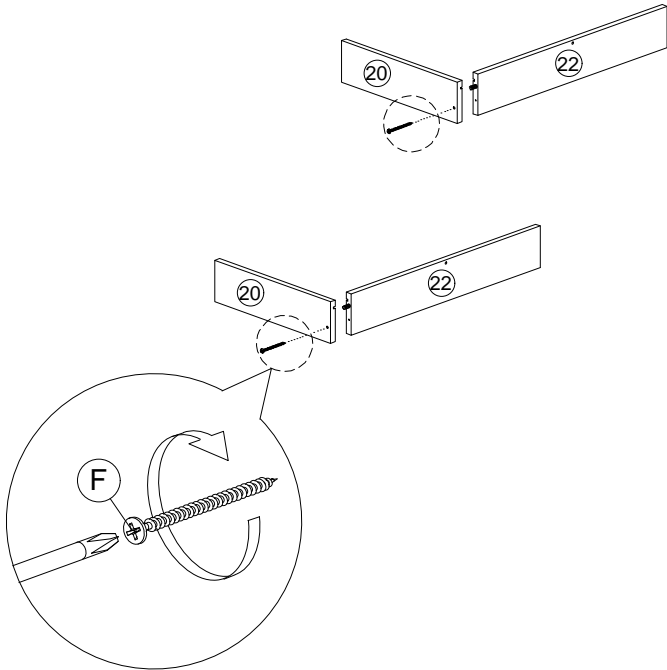
8Pcs




Assembly Instruction

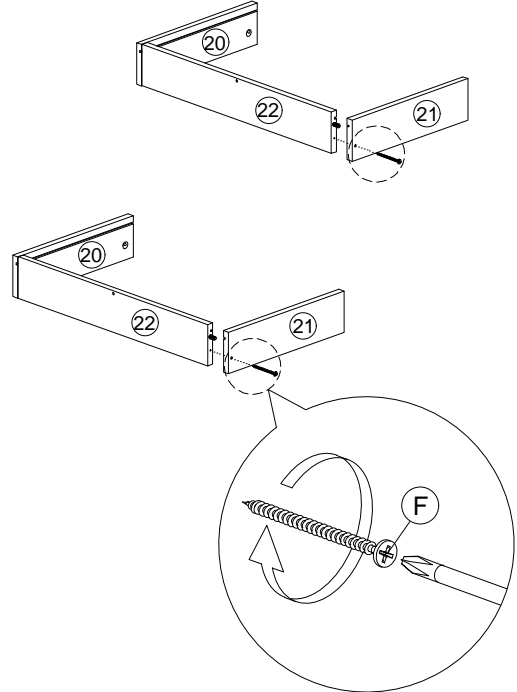
Step 29

F		M4x45mm Screw	2Pcs
---	---	---------------	------




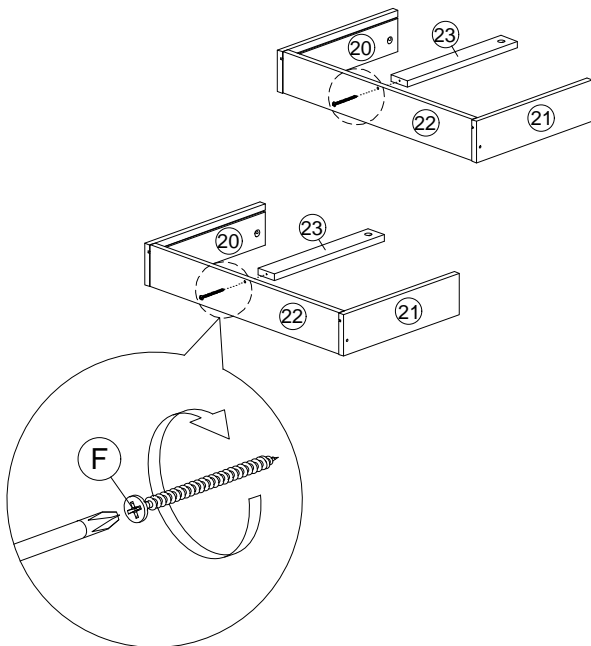
Step 30

F		M4x45mm Screw	2Pcs
---	---	---------------	------

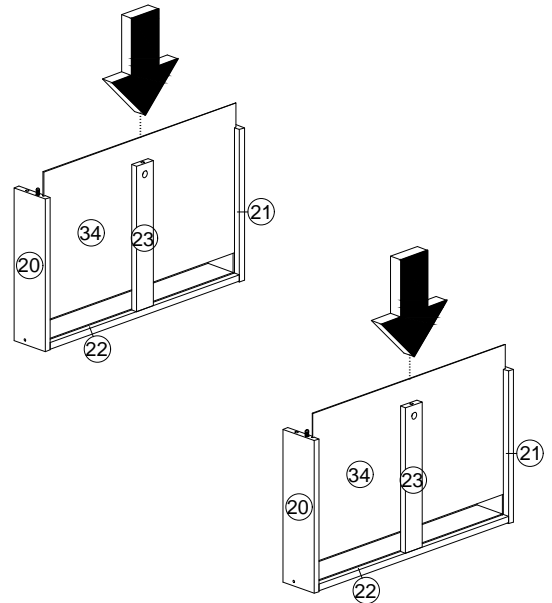


Step 31

F		M4x45mm Screw	2Pcs
---	---	---------------	------

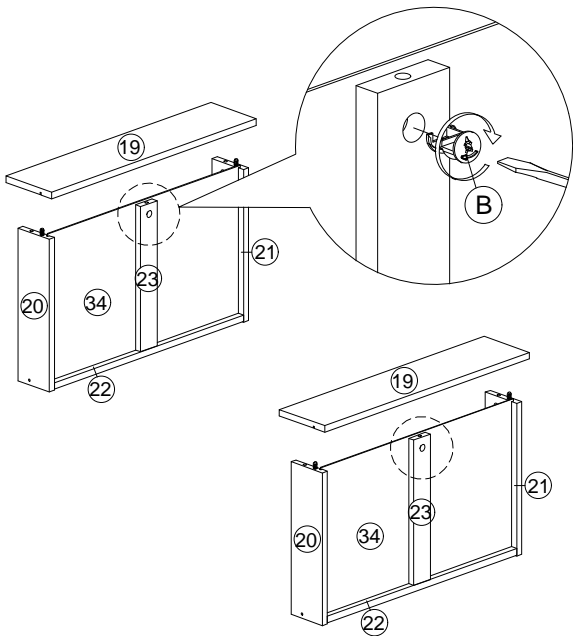


Step 32

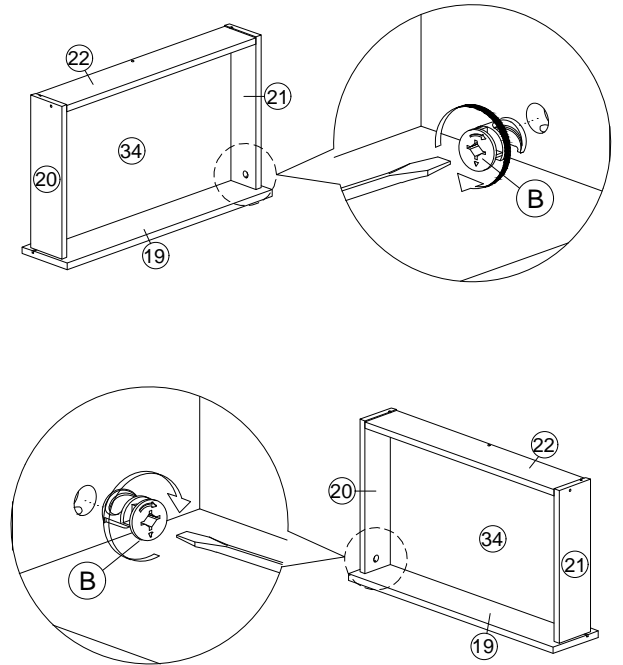


Assembly Instruction

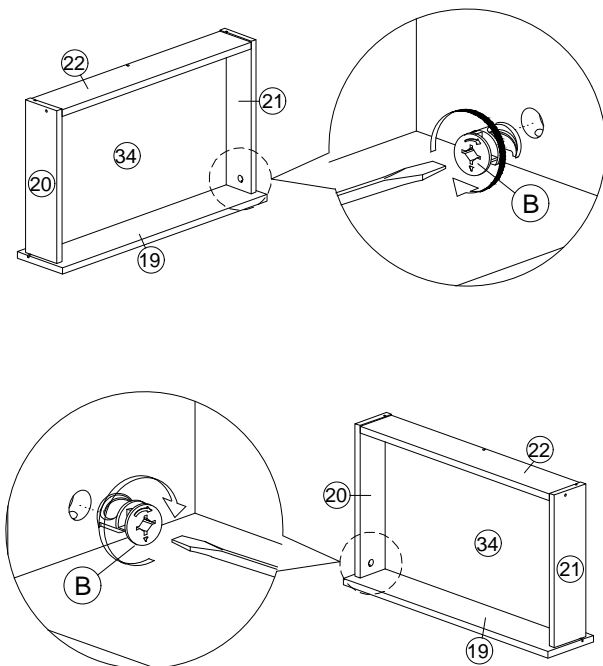
Step 33 B  Minifix 2Pcs





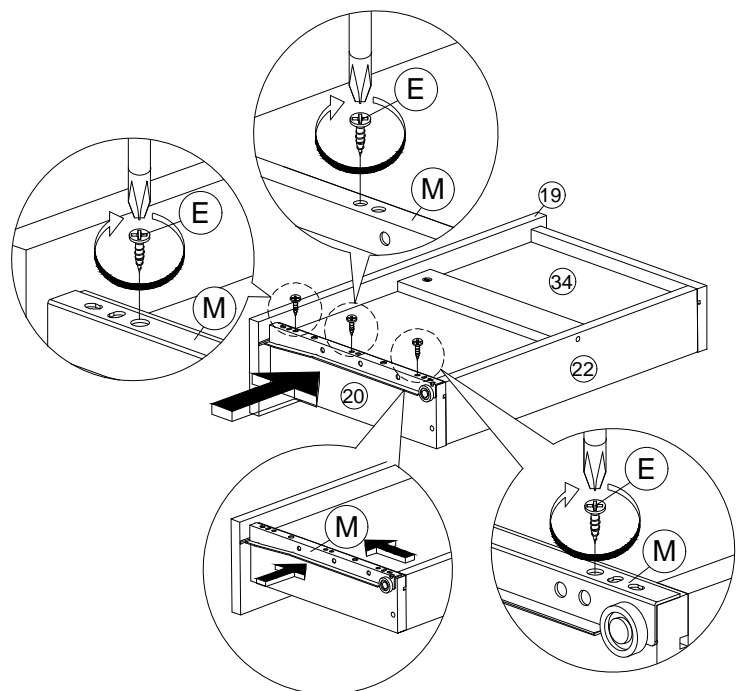
Step 34 B  Minifix 2Pcs



Step 35 B  Minifix 2Pcs

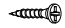



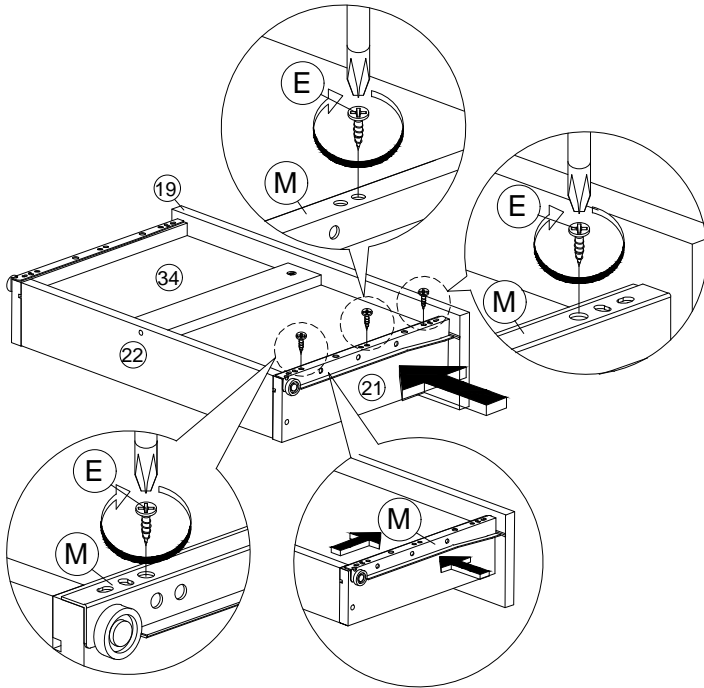
Step 36 E  M3.5x16mm Screw 3Pcs
M  Drawer Slide 350mm - L 1Pc



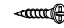

Assembly Instruction

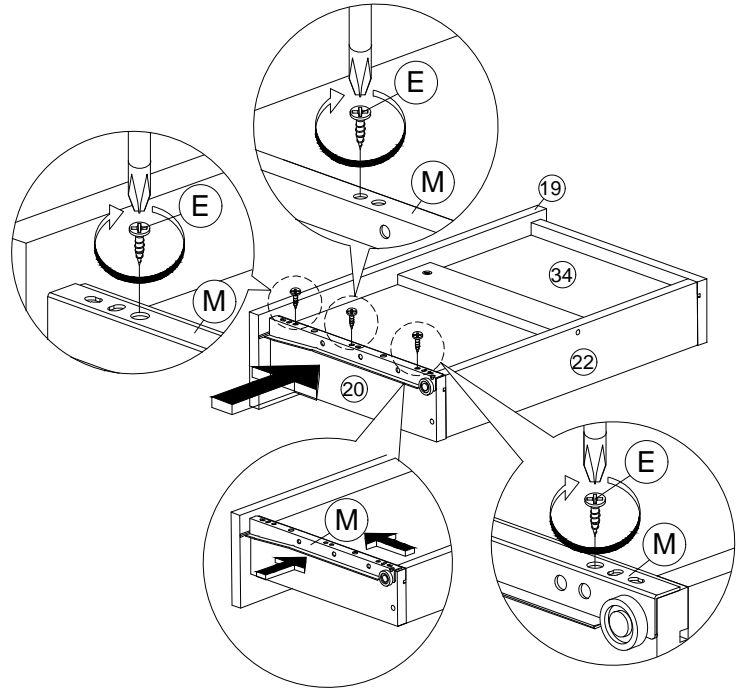
Step 37

E		M3.5x16mm Screw	3Pcs
M		Drawer Slide 350mm - R	1Pc

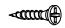



Step 38

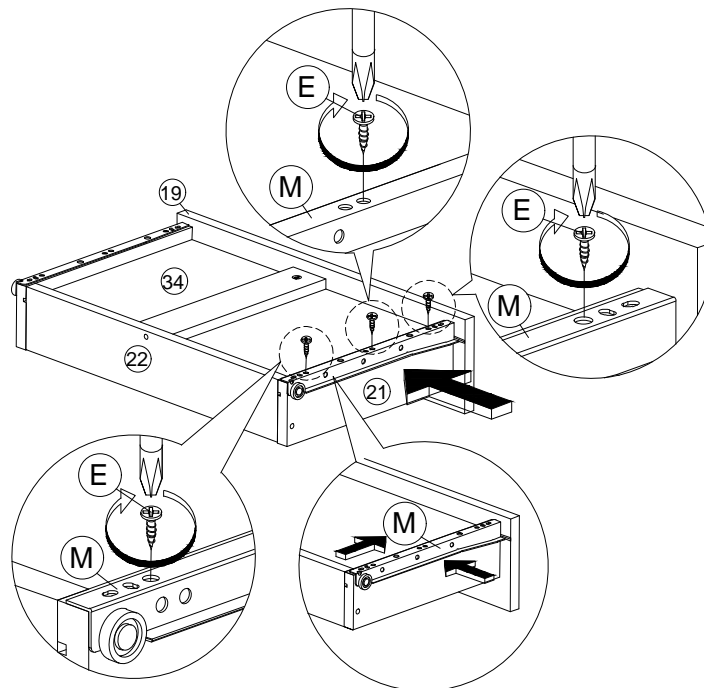
E		M3.5x16mm Screw	3Pcs
M		Drawer Slide 350mm - L	1Pc



Step 39


E		M3.5x16mm Screw	3Pcs
---	---	-----------------	------


M		Drawer Slide 350mm - R	1Pc
---	---	------------------------	-----

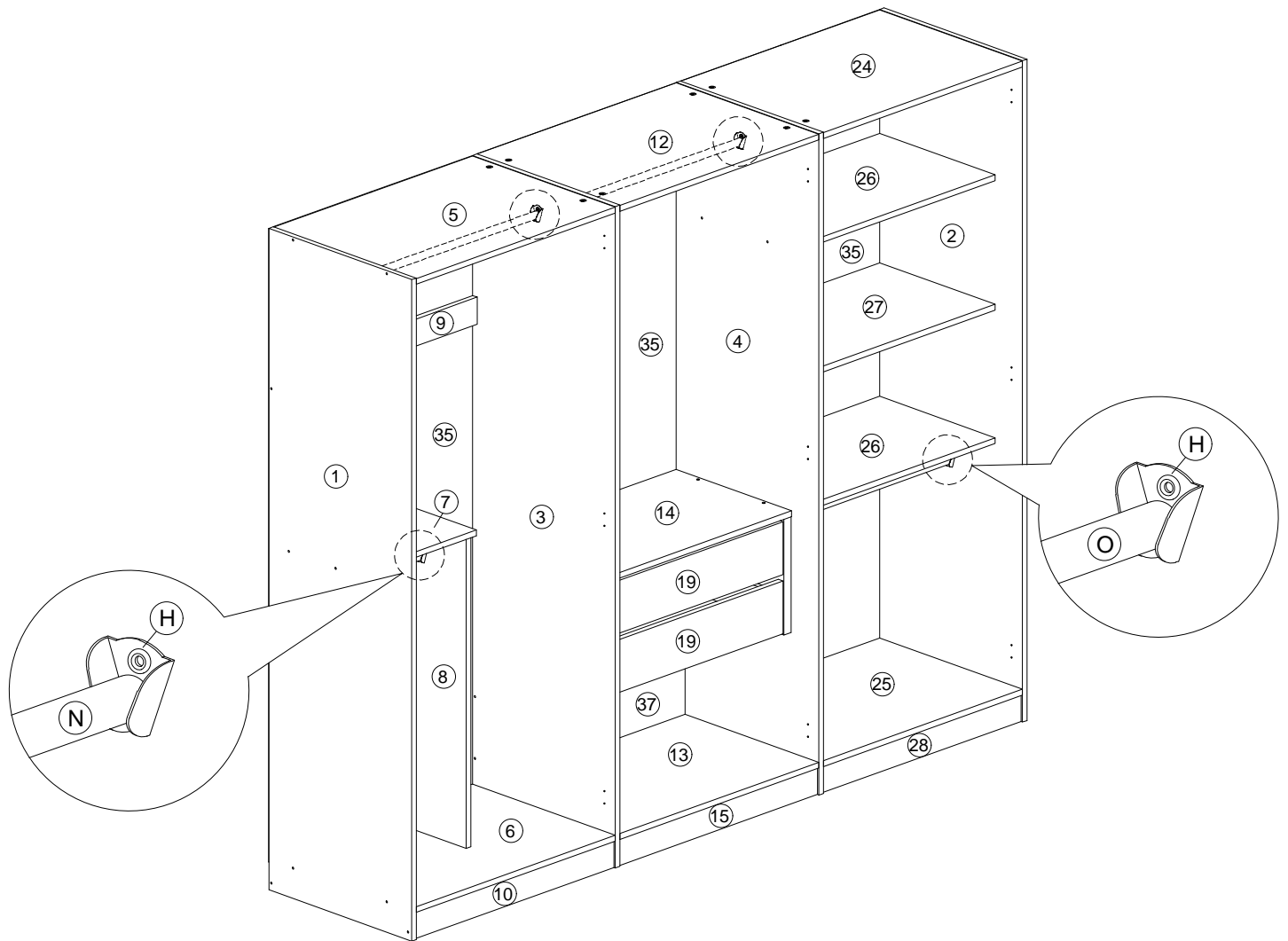


Assembly Instruction

Step 41

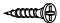
N  Aluminium Pipe 356mm 1Pc


O  Aluminium Pipe 673mm 3Pcs

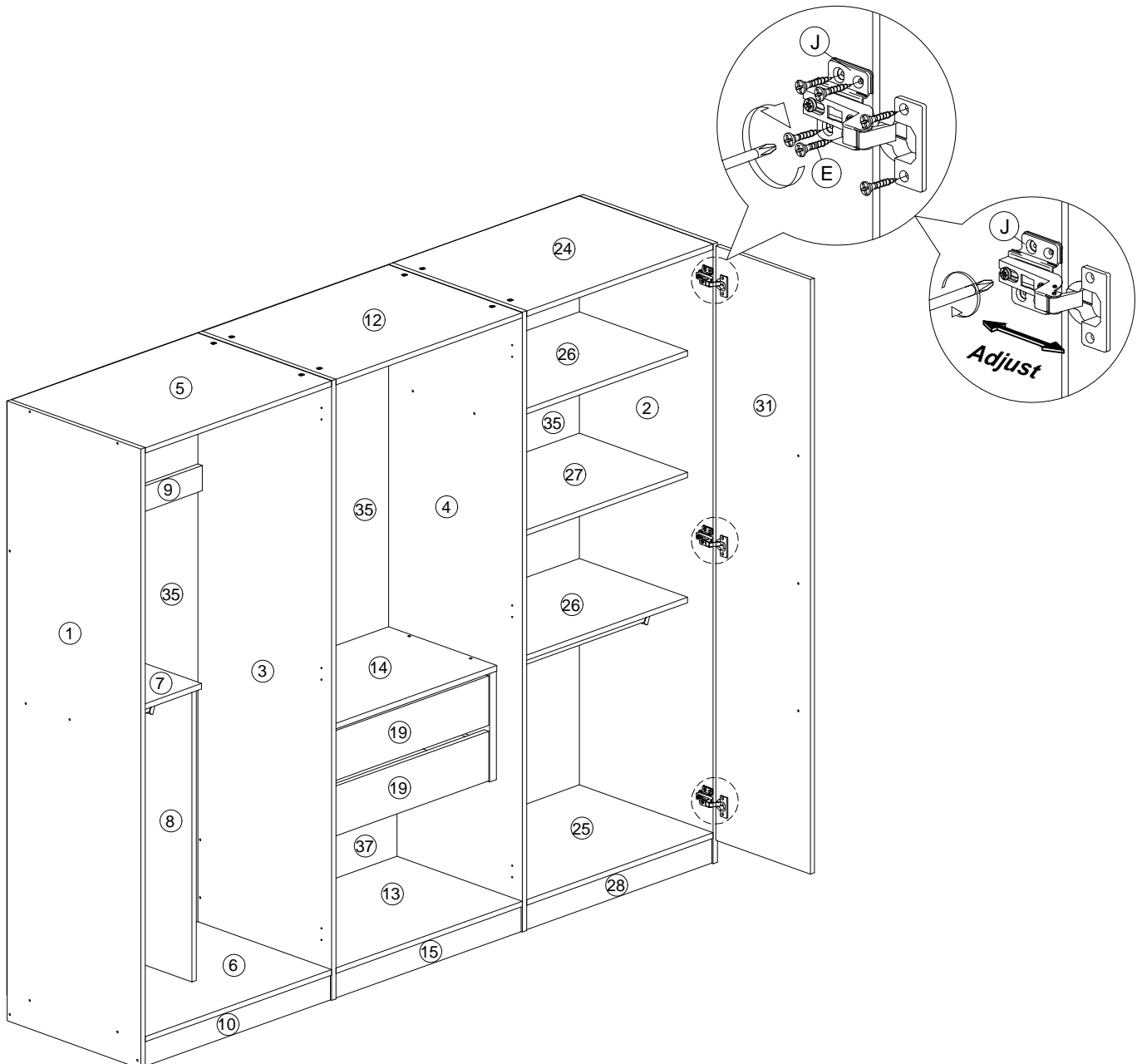


Assembly Instruction

Step 42


E		M3.5x16mm Screw	18Pcs
---	---	-----------------	-------

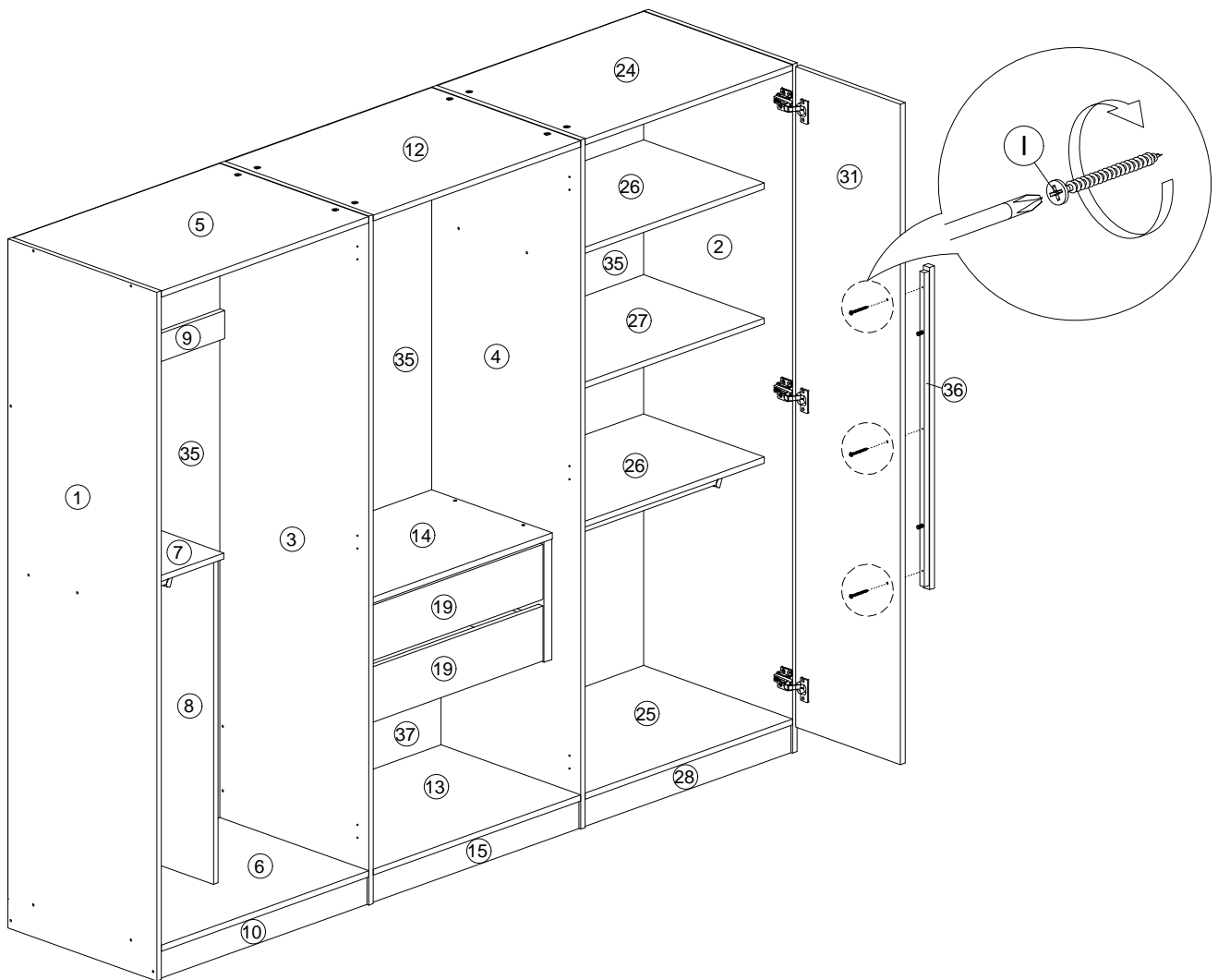
J		Hinges 2/8	3Pcs
---	---	------------	------



Assembly Instruction

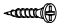
Step 43


I		M4x38mm Screw	3Pcs
---	---	---------------	------

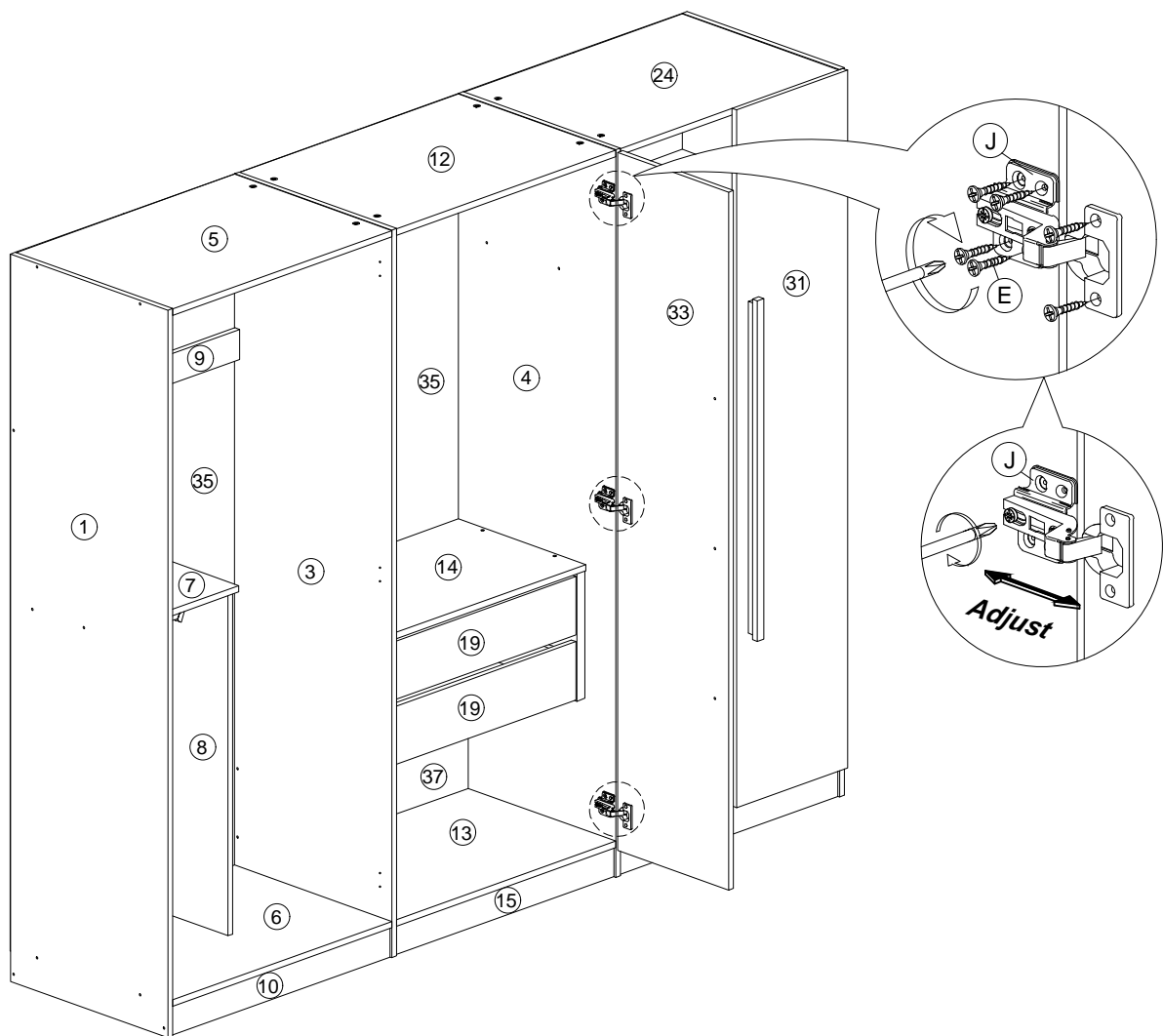


Assembly Instruction

Step 44


E  M3.5x16mm Screw 18Pcs

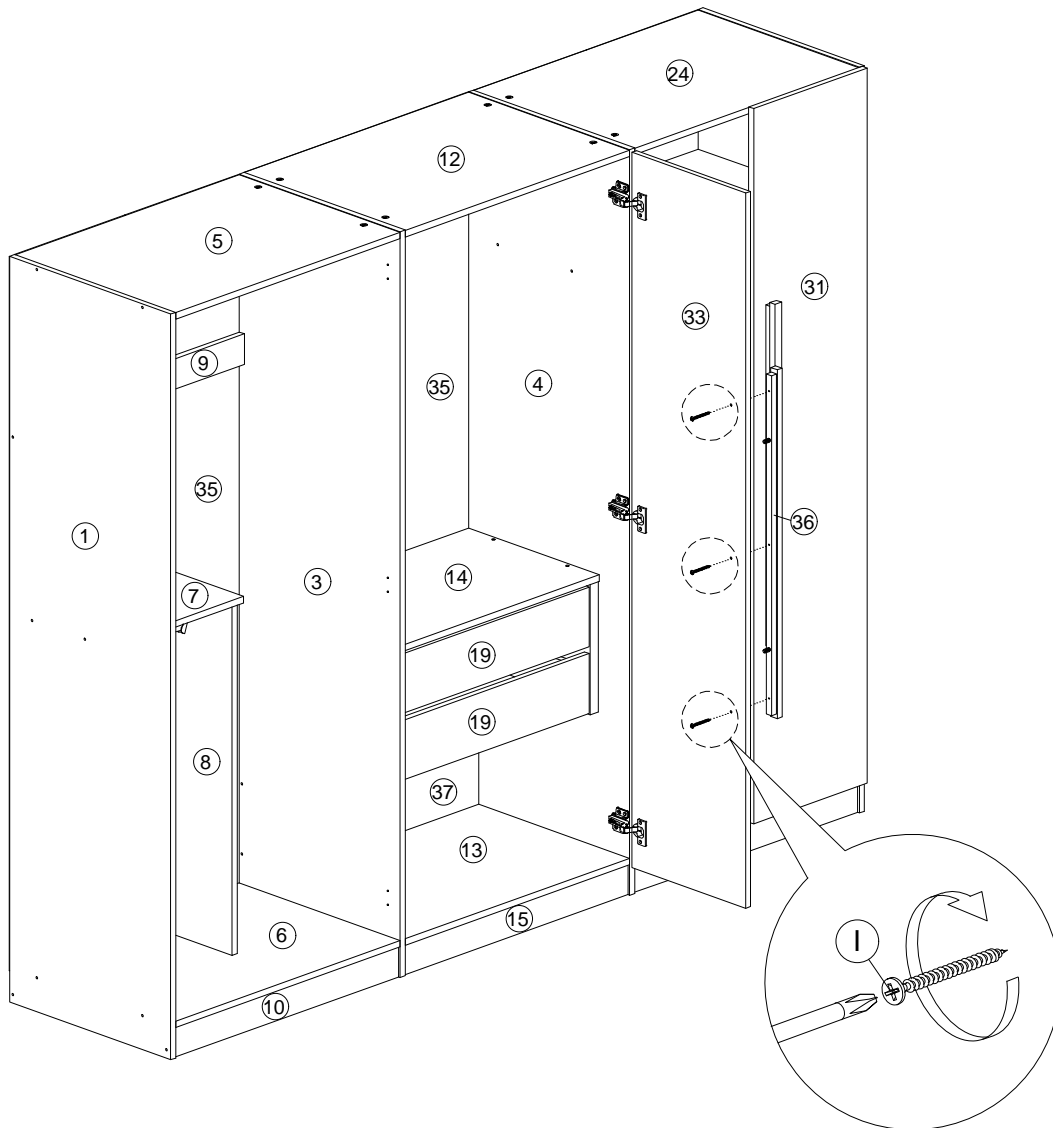
J  Hinges 2/8 3Pcs



Assembly Instruction

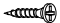
Step 45


I		M4x38mm Screw	3Pcs
---	---	---------------	------

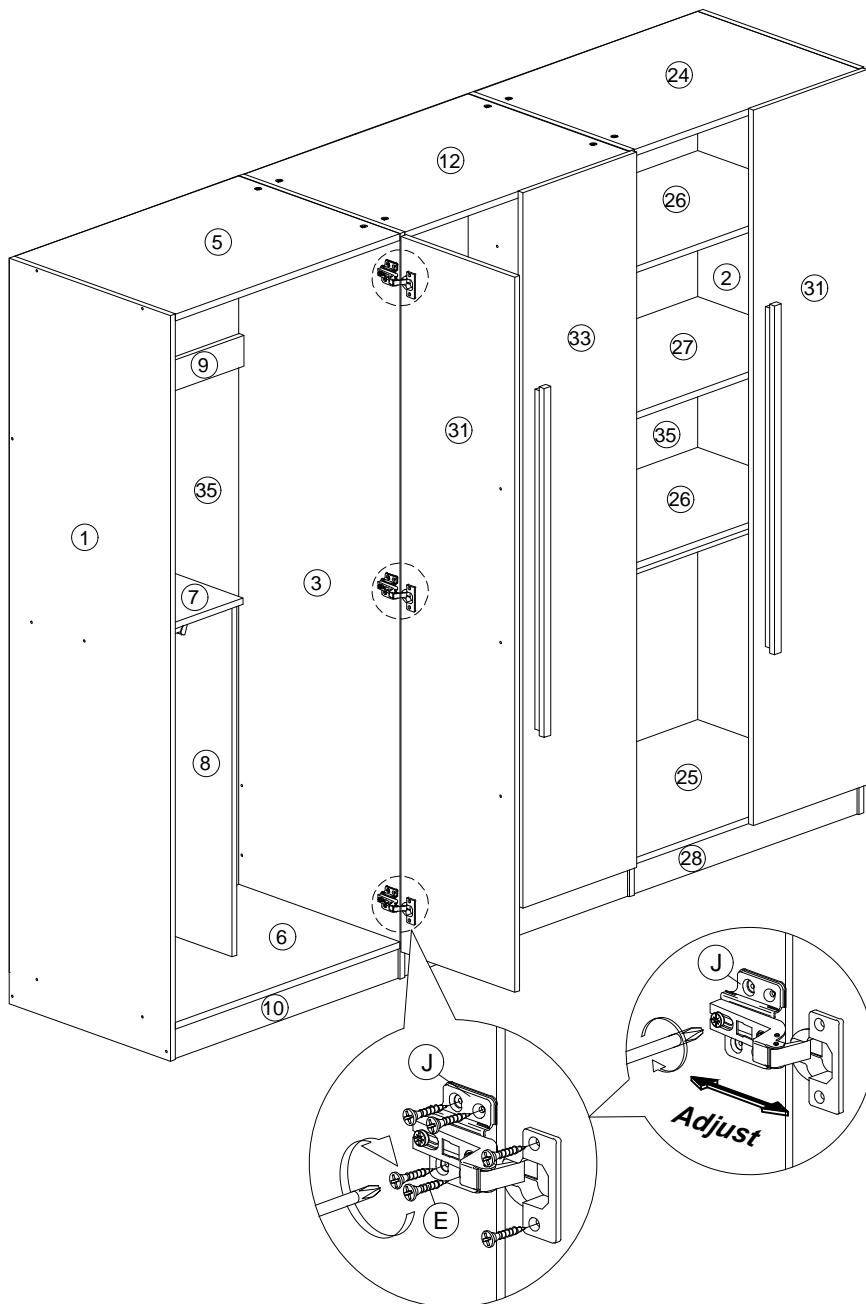


Assembly Instruction

Step 46


E  M3.5x16mm Screw 18Pcs

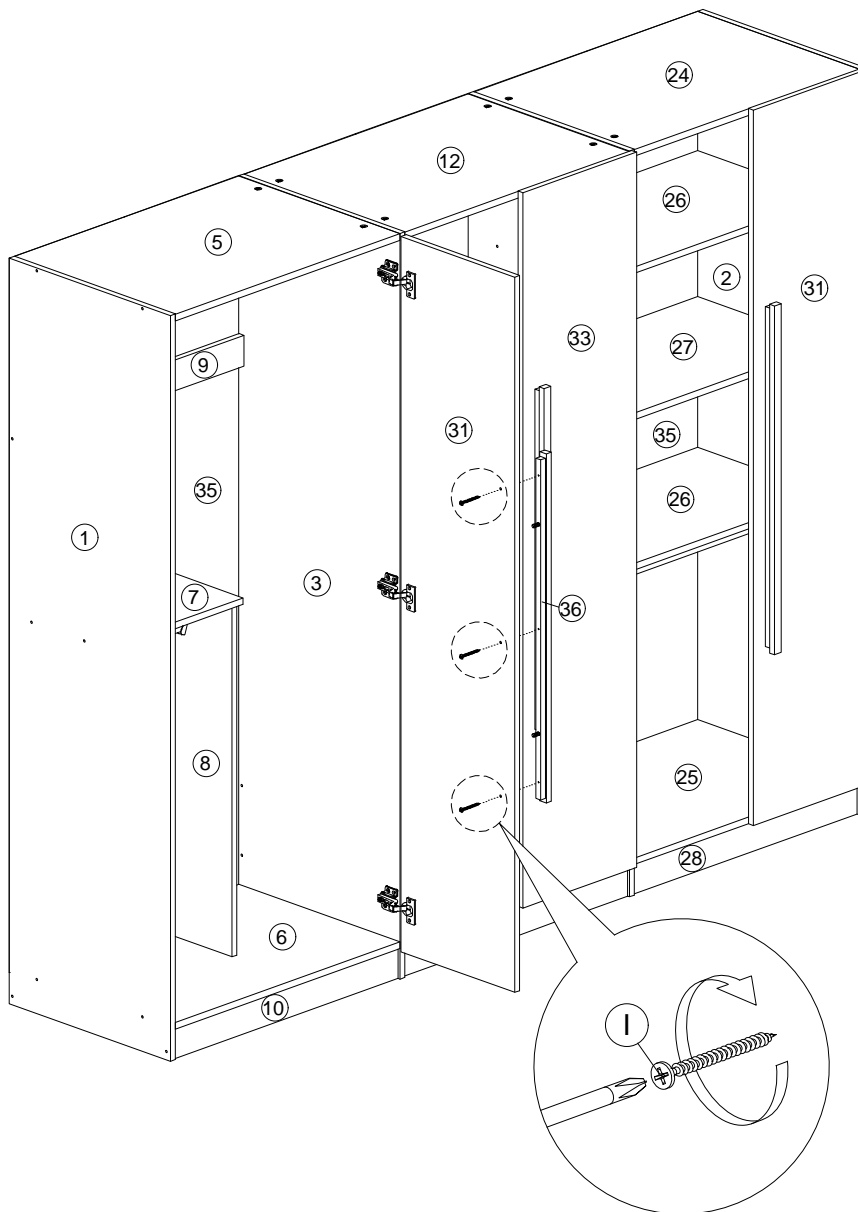
J  Hinges 2/8 3Pcs



Assembly Instruction

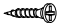
Step 47


I		M4x38mm Screw	3Pcs
---	---	---------------	------

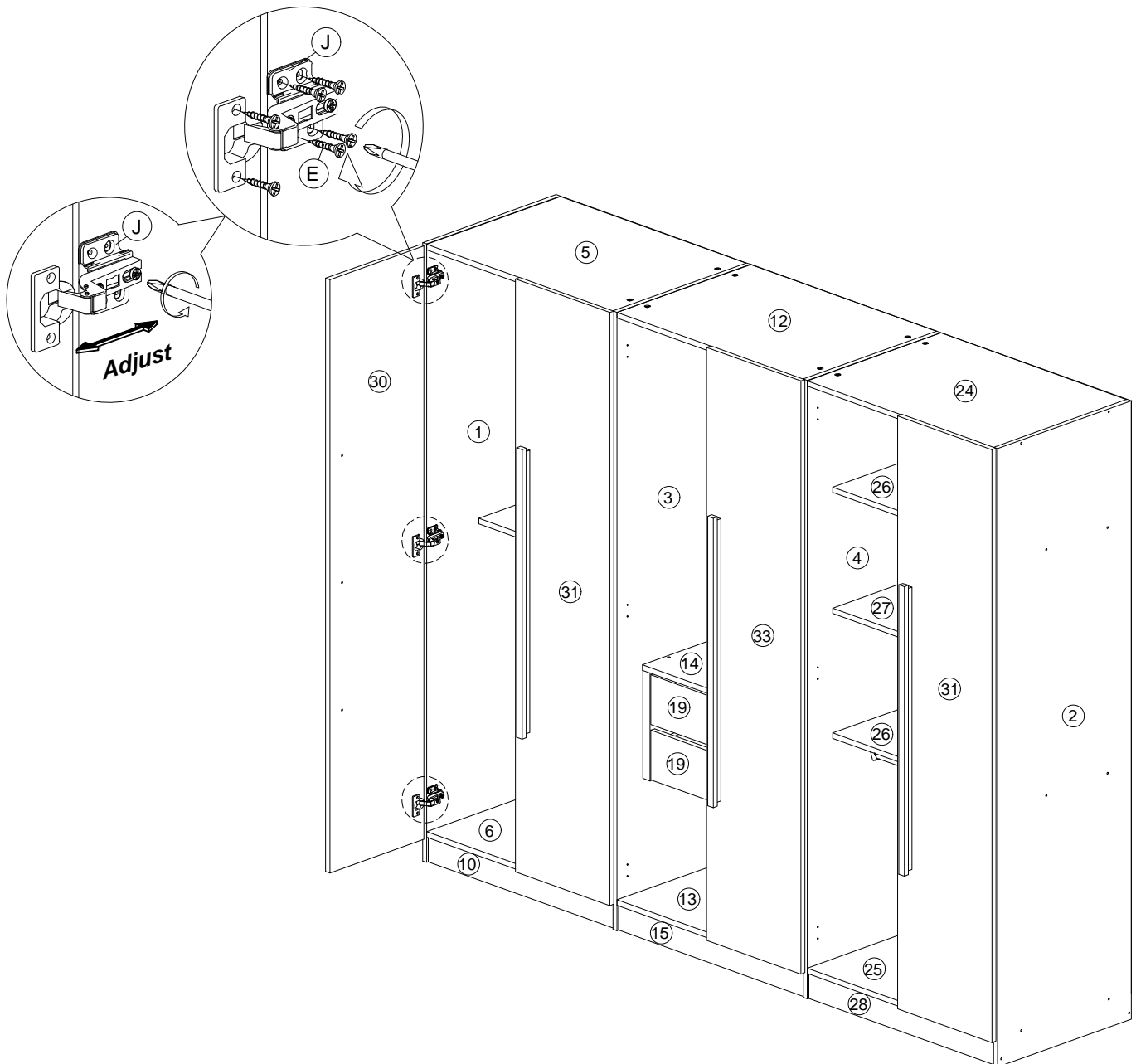


Assembly Instruction

Step 48

E  M3.5x16mm Screw 18Pcs

J  Hinges 2/8 3Pcs



Assembly Instruction

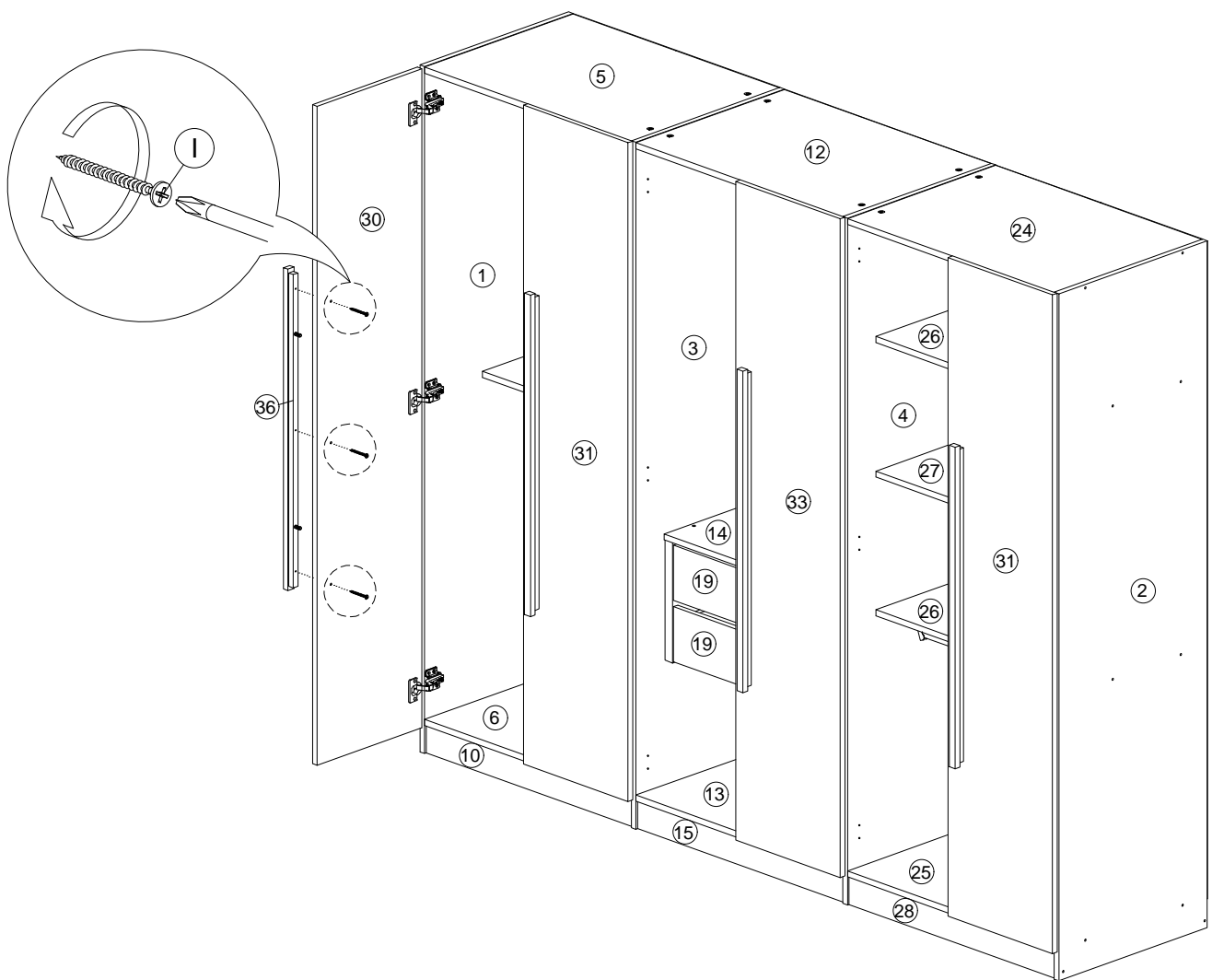
Step 49

I



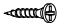
M4x38mm Screw


3Pcs

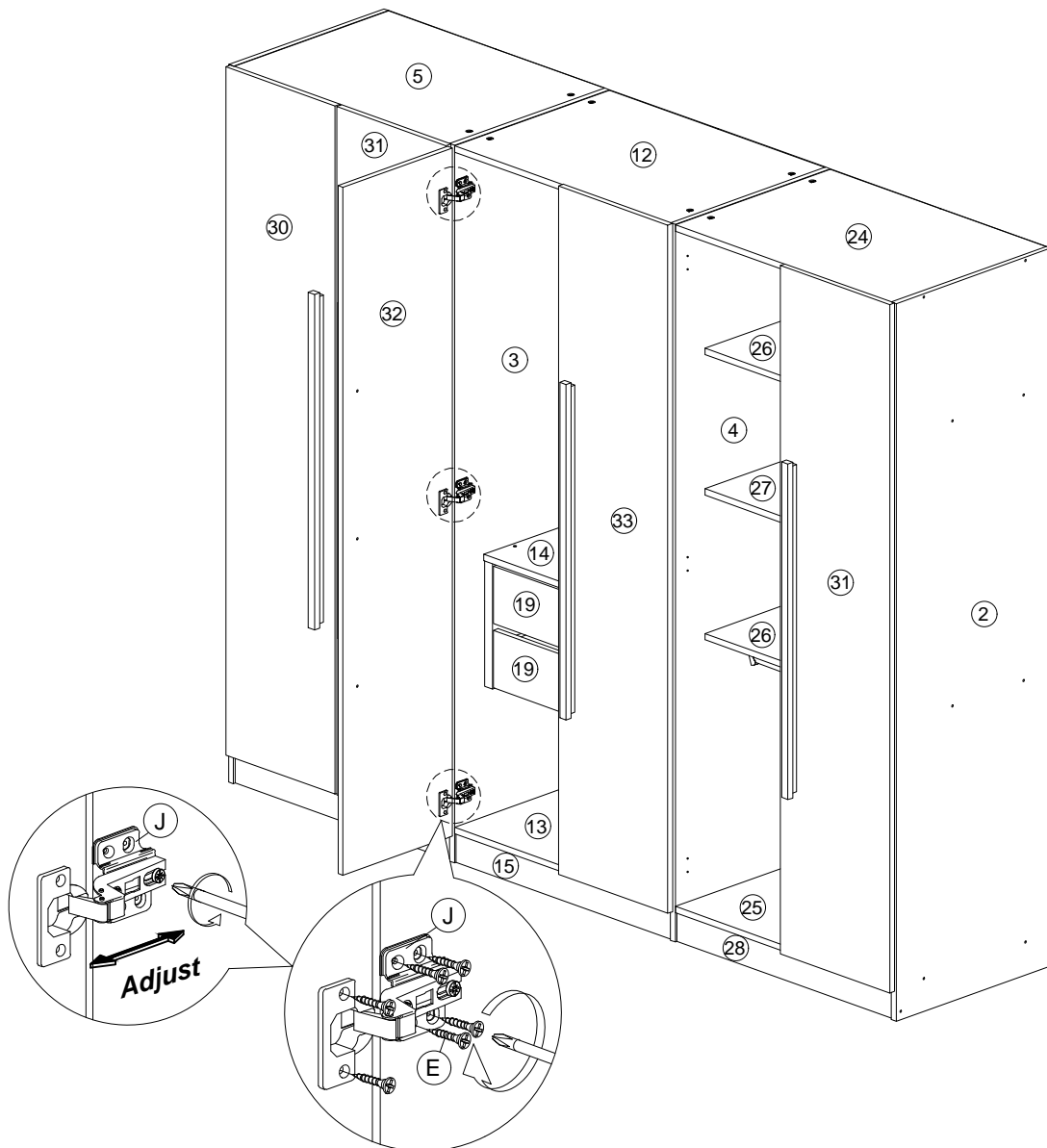


Assembly Instruction

Step 50


E		M3.5x16mm Screw	18Pcs
---	---	-----------------	-------

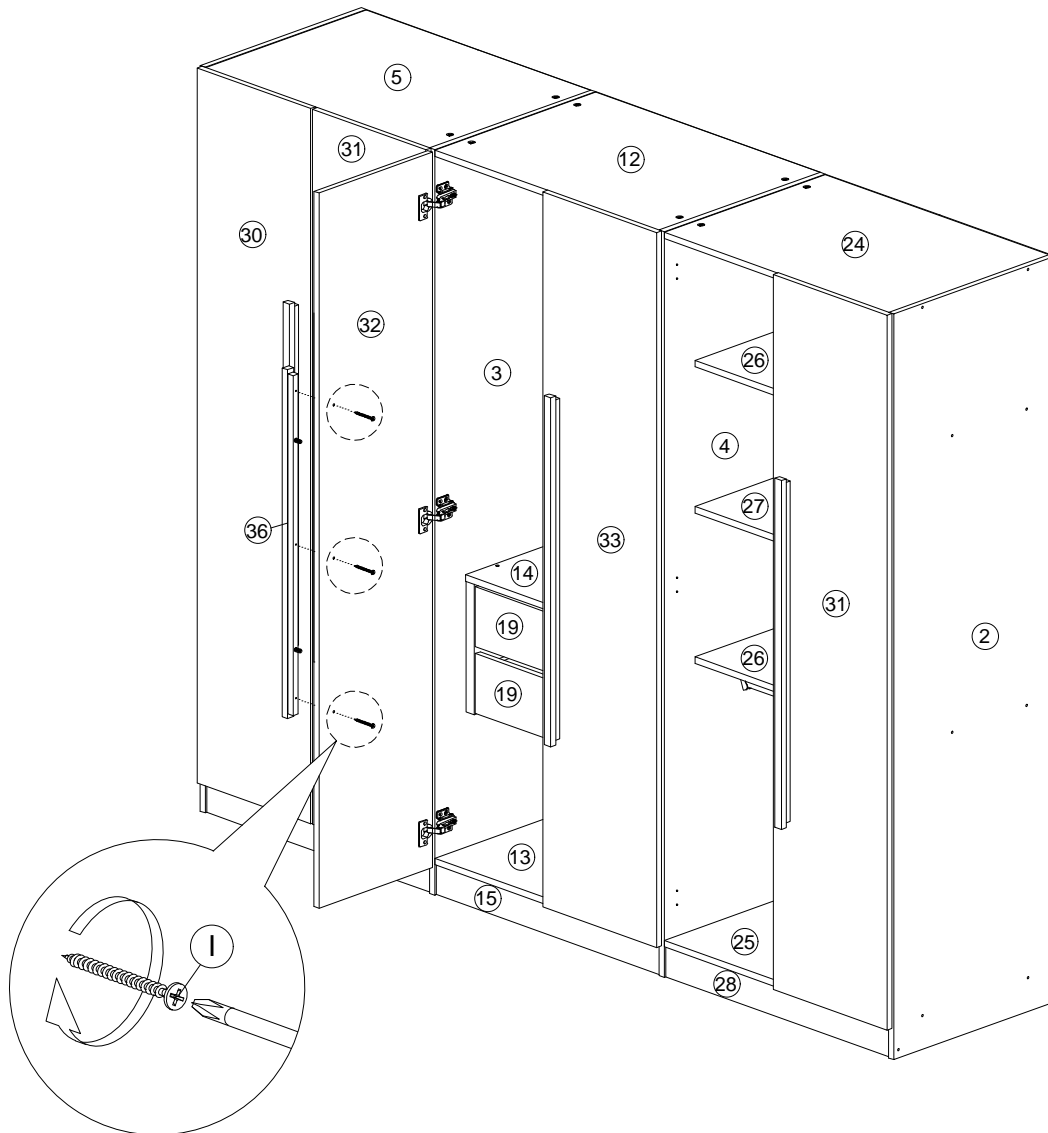
J		Hinges 2/8	3Pcs
---	---	------------	------



Assembly Instruction

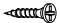
Step 51


I		M4x38mm Screw	3Pcs
---	---	---------------	------

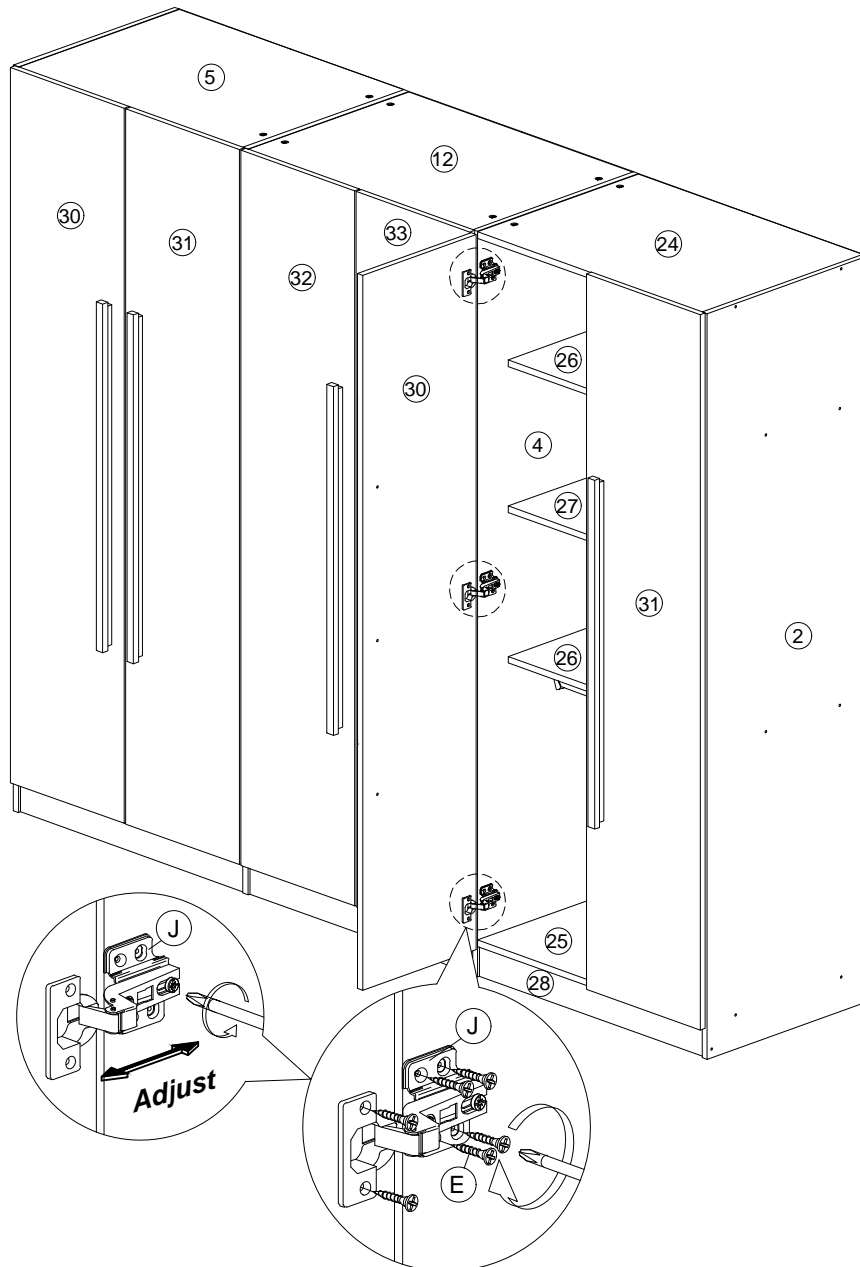


Assembly Instruction

Step 52


E  M3.5x16mm Screw 18Pcs

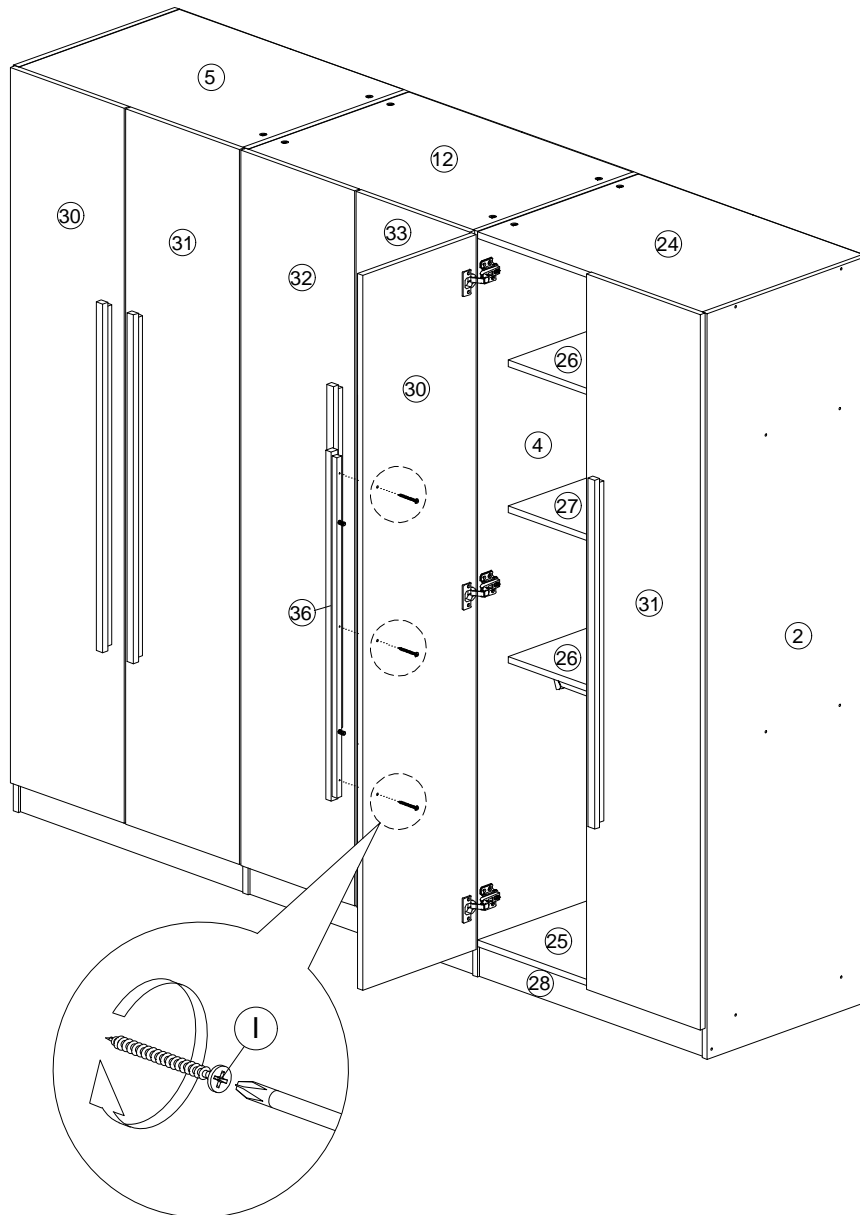
J  Hinges 2/8 3Pcs



Assembly Instruction

Step 53

I		M4x38mm Screw	3Pcs
---	---	---------------	------



FITTING OF ANTI-TIP SAFETY STRAP

STEP 1:

- Attach the mounting bracket (a) to the furniture in the solid part below the top panel a few inches away from the side of the unit.
- Screw (b) through the smallest hole of (a).

STEP 2:

- Locate a stud in behind the have to
- Place the other mounting bracket (a) on the wall stud 2 inches below the mounting bracket secured to the back of your unit.
- Attach to the wall stud using (c) through the smaller hole of (a).

STEP 3:

- Repeat the same step a few inches away from the other side of the unit.
- Place the furniture into position so both mounting brackets are vertically in line.
- Lace the end of the restraint strap through the larger holes in each mounting bracket.
- Secure the straps and lock into place.

