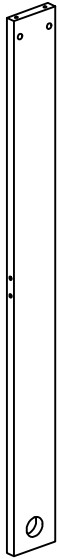


$\frac{922 \times 90}{36.3 \times 3.5}$

Ax2



$\frac{922 \times 90}{36.3 \times 3.5}$

Bx2



Cx2



Dx25



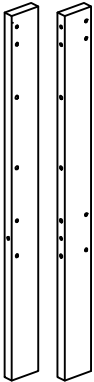
$\frac{922 \times 58}{36.3 \times 2.3}$

Ex1



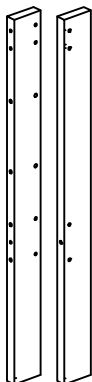
$\frac{922 \times 58}{36.3 \times 2.3}$

Fx1



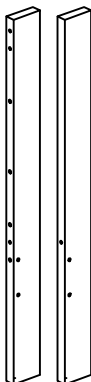
$\frac{662 \times 58}{26.1 \times 2.3}$

Gx1



$\frac{662 \times 58}{26.1 \times 2.3}$

Hx1



$\frac{662 \times 58}{26.1 \times 2.3}$

Ix2



$\frac{432 \times 166}{17.0 \times 6.5}$

Jx4



$\frac{394.5 \times 166}{15.5 \times 6.5}$

Kx4



887x58
34.9x2.3

Lx3



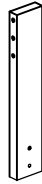
847x58
33.3x2.3

Mx2



662x56
26.1x2.2

Nx1



236x56
9.3x2.2

Ox1



Px6



Qx4



843x90
33.1x3.5

Rx4



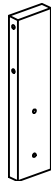
887x90
34.9x3.5

Sx2



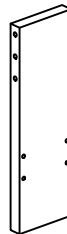
300x58
11.8x2.3

Tx2



234x58
9.2x2.3

Ux2



300x90
11.8x3.5

Vx1



170x90
6.7x3.5

Wx1



$\varnothing 35 \times \frac{135}{5.3}$

Xx3



M6x $\frac{100}{3.9}$

Yx12



M6x $\frac{60}{2.4}$

Zx32



M3.5x $\frac{28}{1.1}$

AAx124



ABx72



ACx8



ADx8



$\varnothing 35 \times \frac{170}{6.7}$

AEx2



AFx10



AGx44



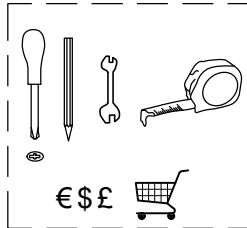
AHx10



AIx10



AJx1

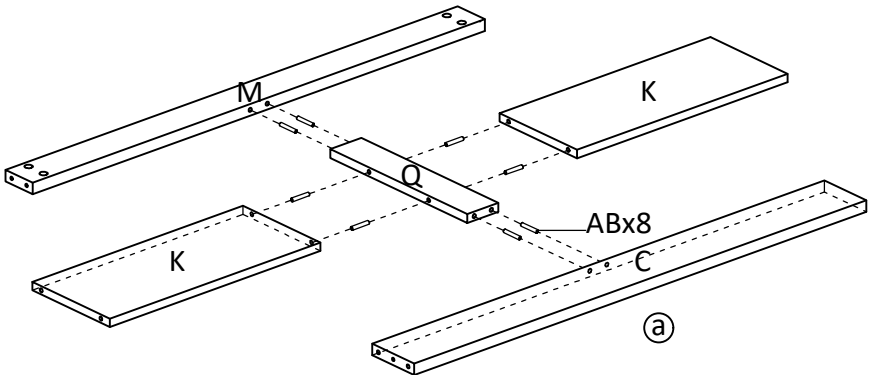


mm
inch

x2

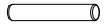
①x2

ABx16

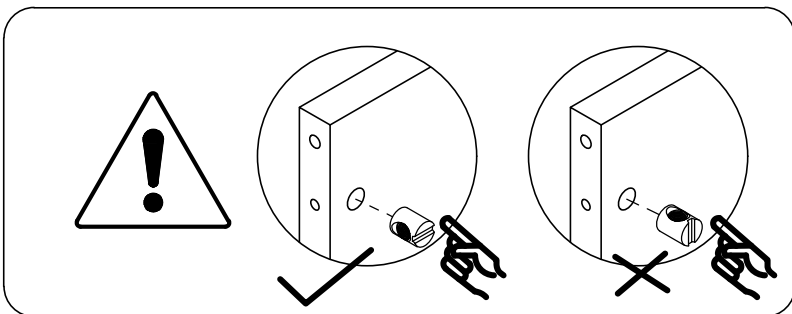
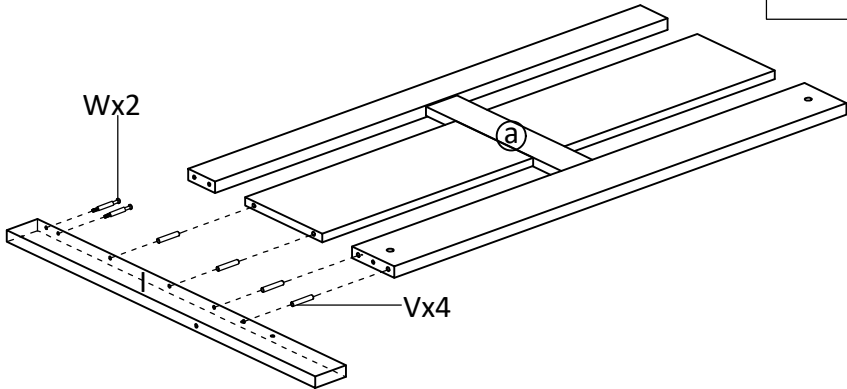
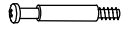


②

Vx4

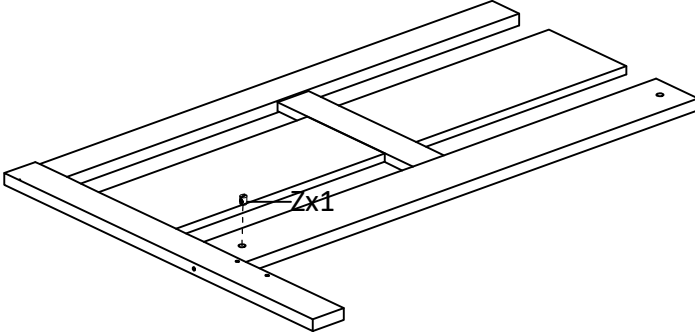


Wx2

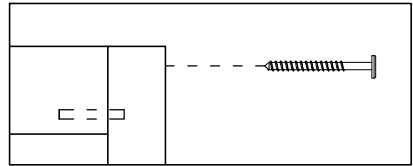
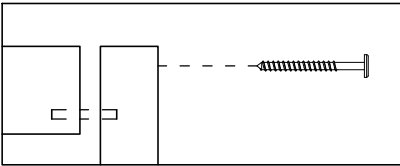


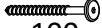

3

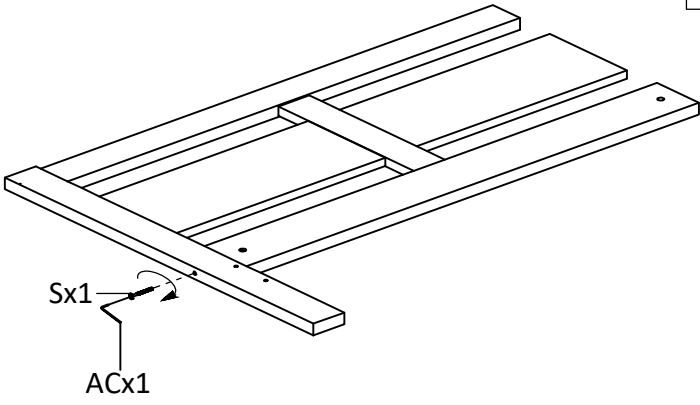
Zx1



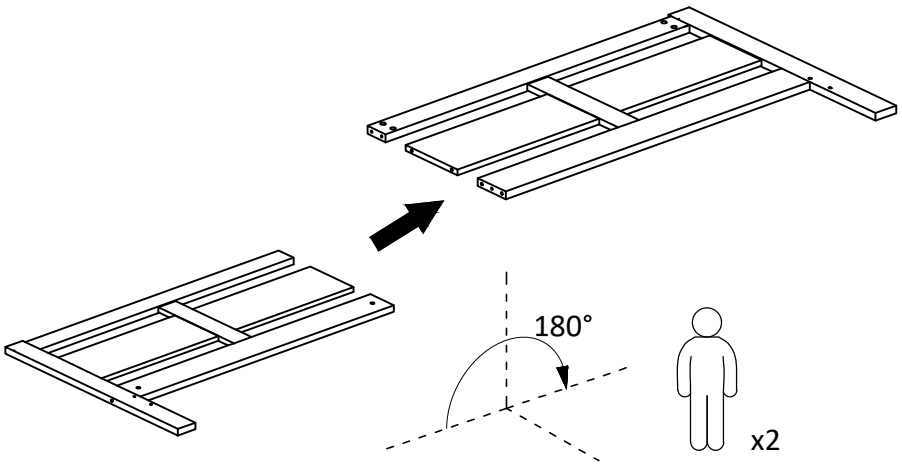
4

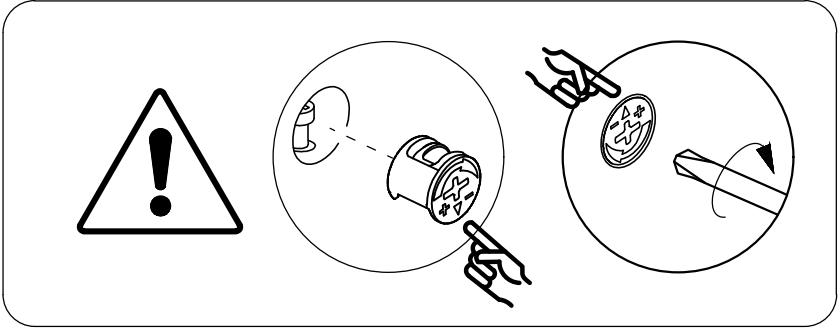


Sx1	
M6x100	3.9
ACx1	



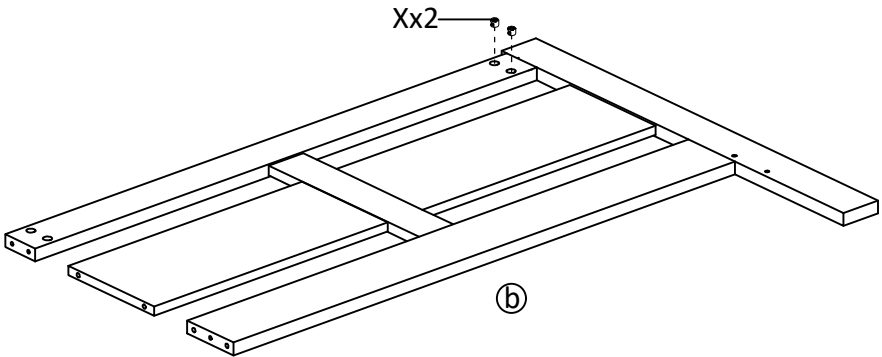
5





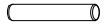
6

Xx2

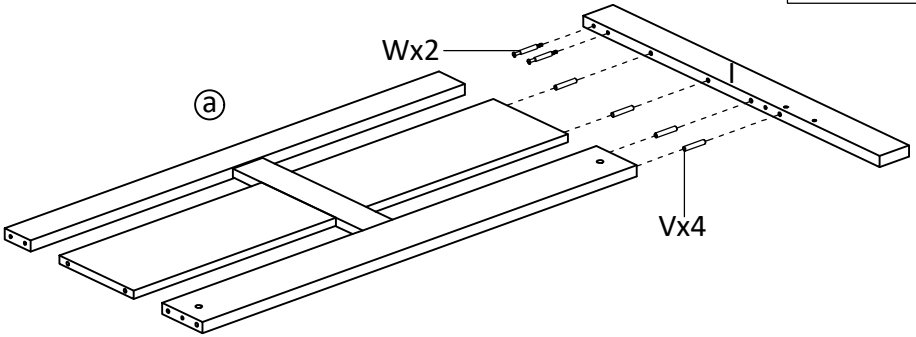
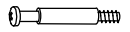


7

Vx4

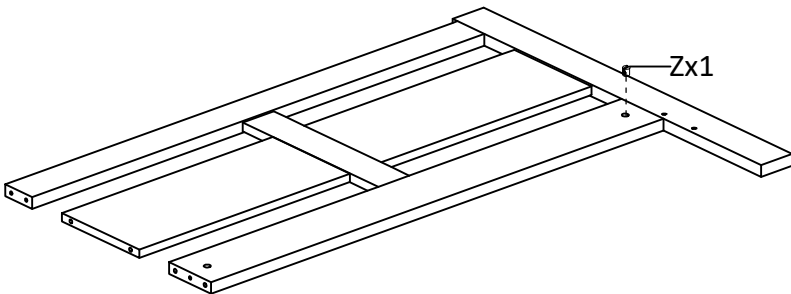


Wx2





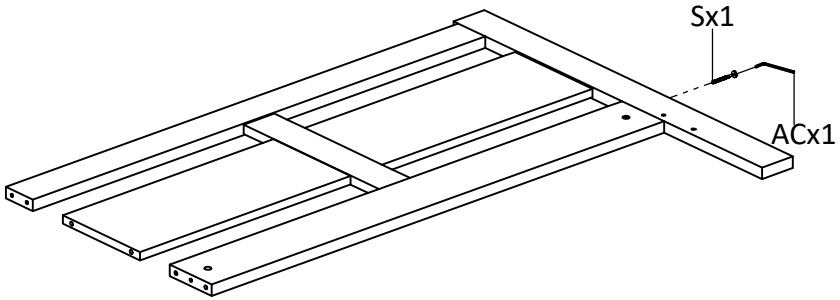
8

Zx1

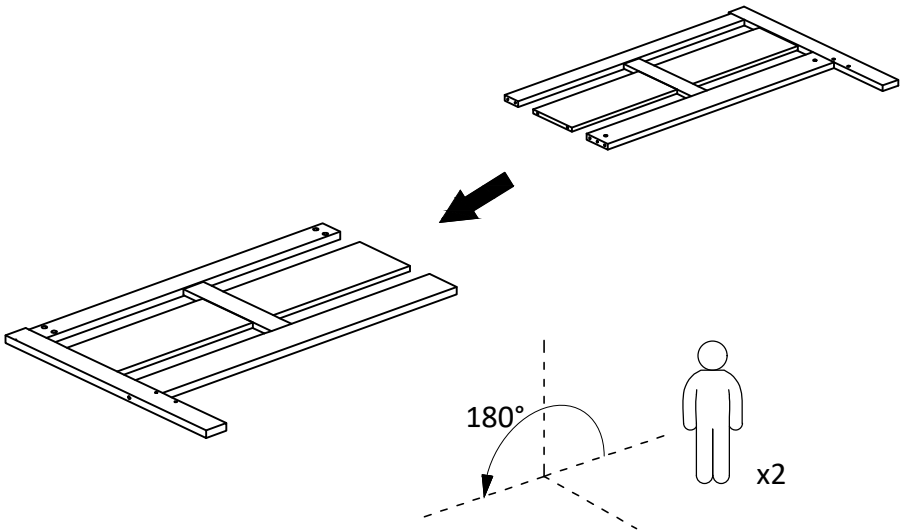


9

Sx1	
M6x100	
3.9	
ACx1	

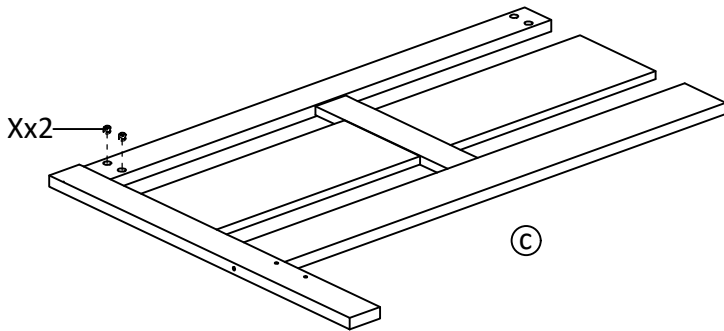


10



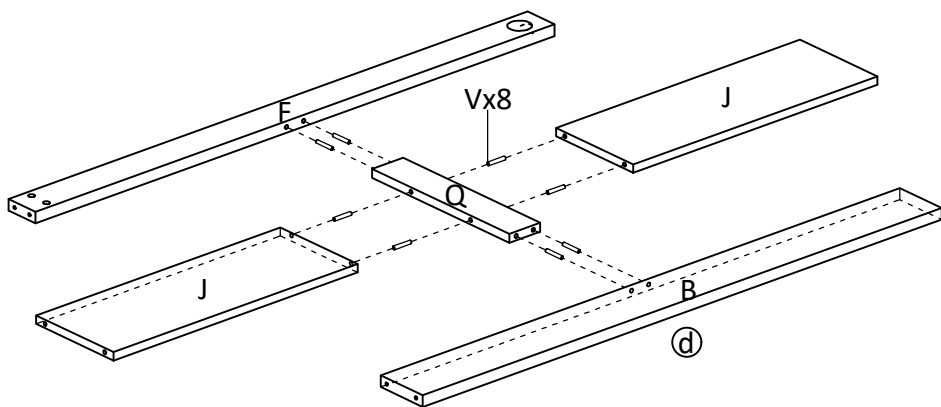
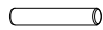
11

Xx2



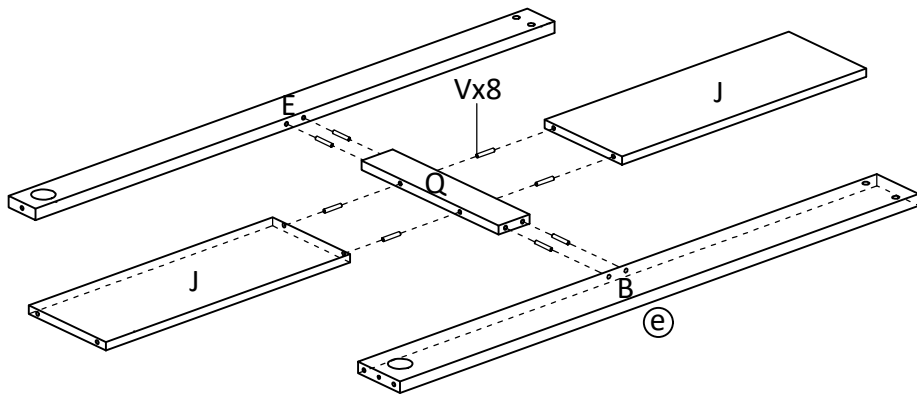
12

Vx8



13

Vx8

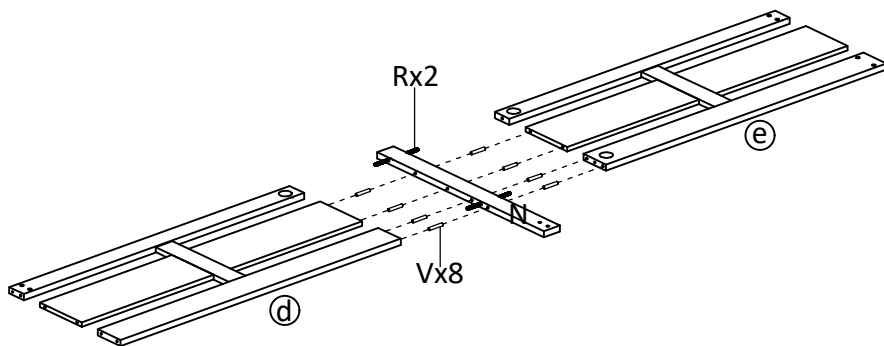
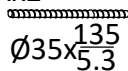


14

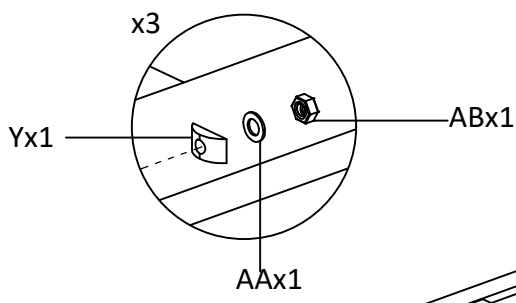
Vx8



Rx2



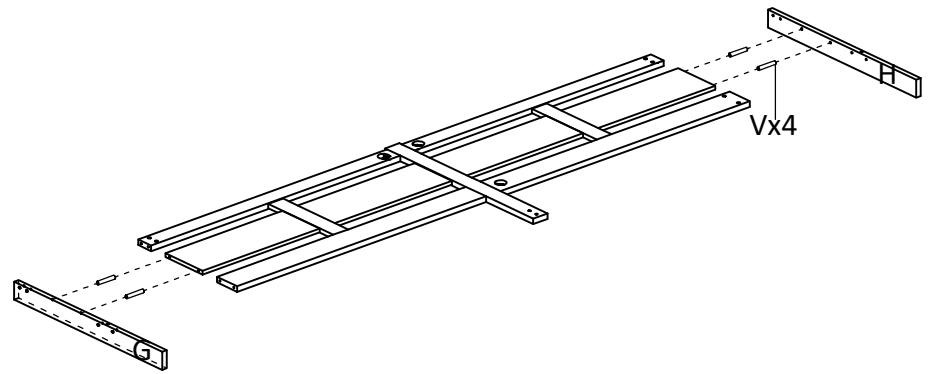
15



Yx3	
AAx3	
ABx3	

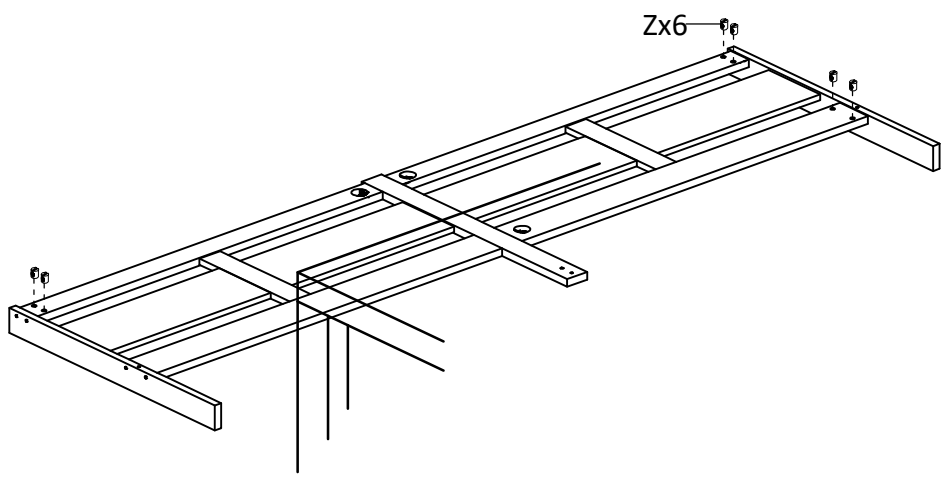
16

Vx4	
-----	--



17

Zx6



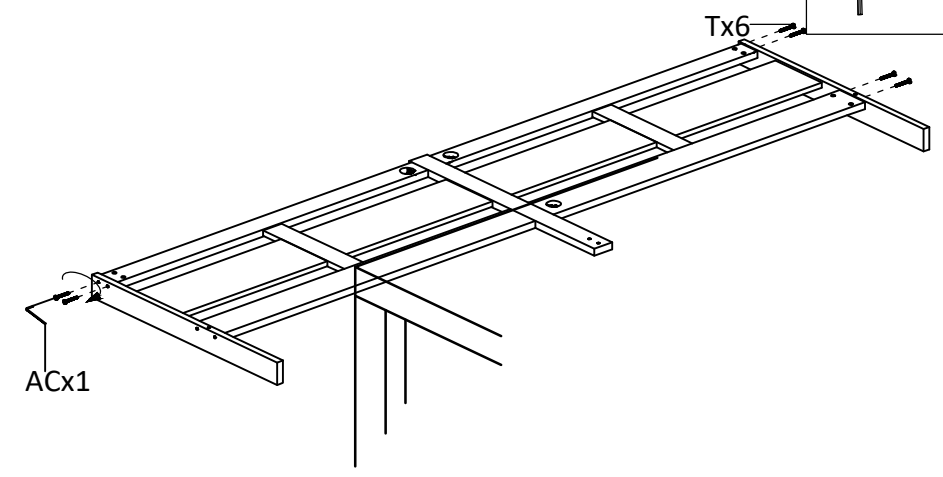
18

Tx6

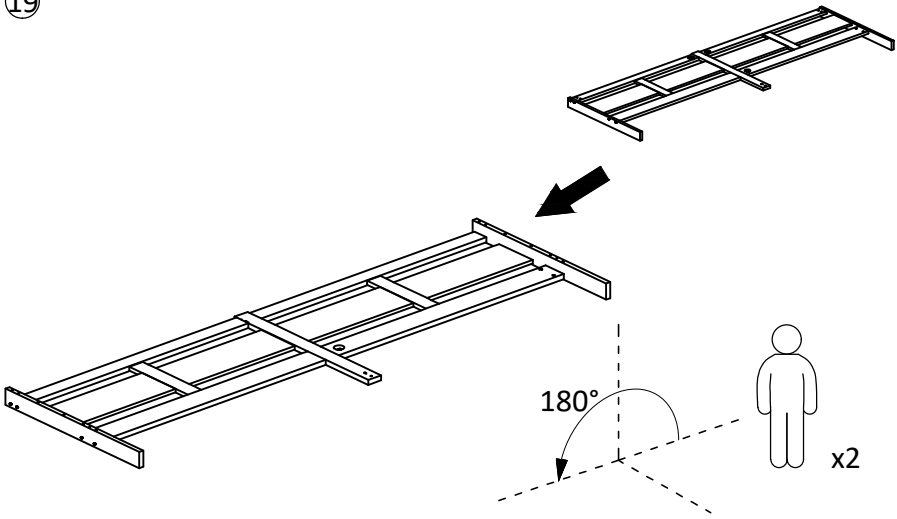


M6x $\frac{60}{2.4}$

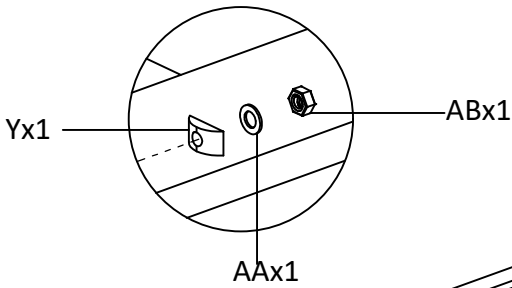
ACx1



19



20



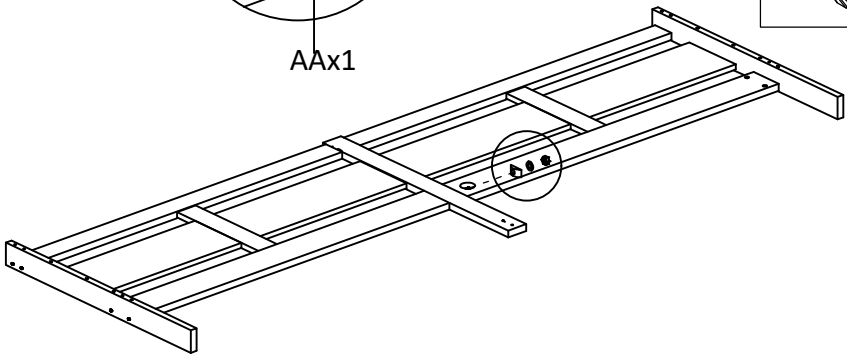
Yx1



AAx1

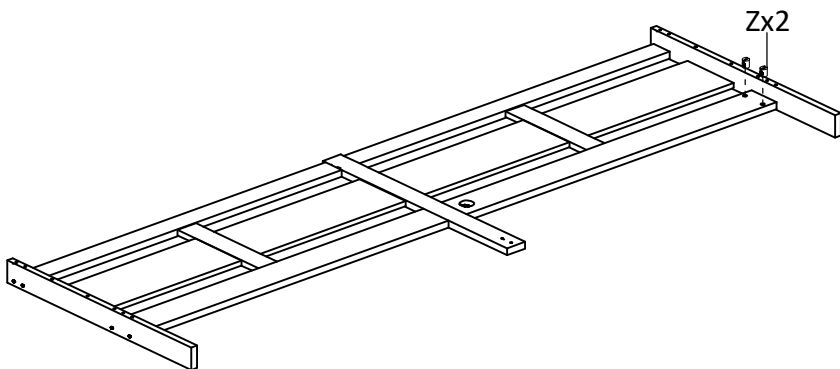


ABx1



21

Zx2



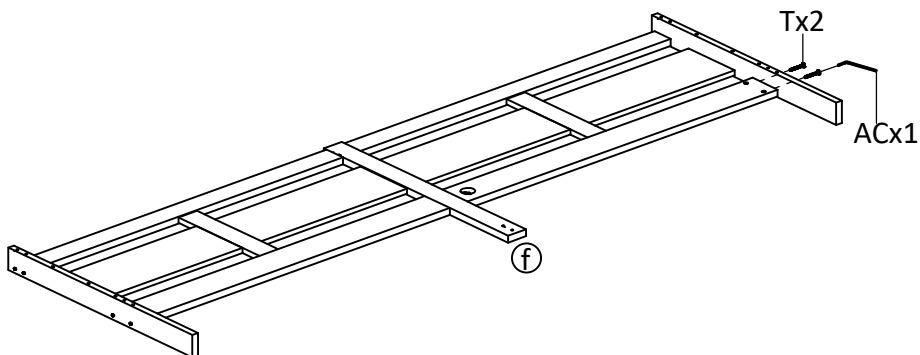
22

Tx2

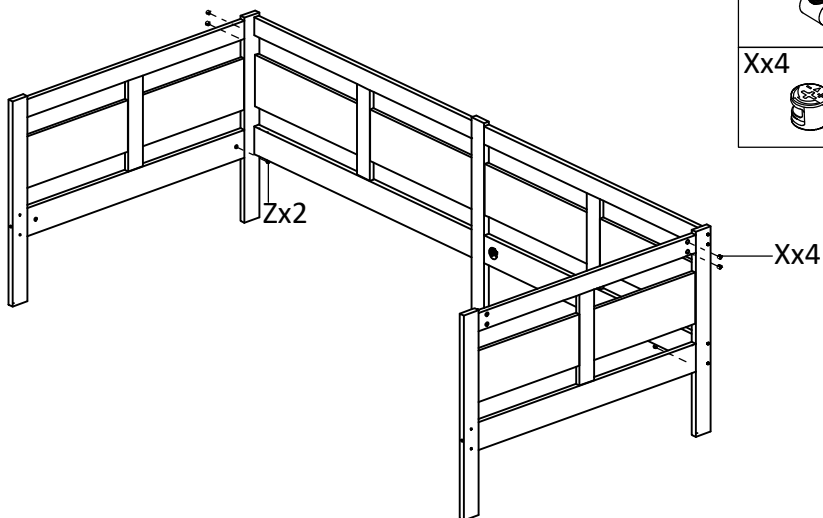


M6x $\frac{60}{2.4}$

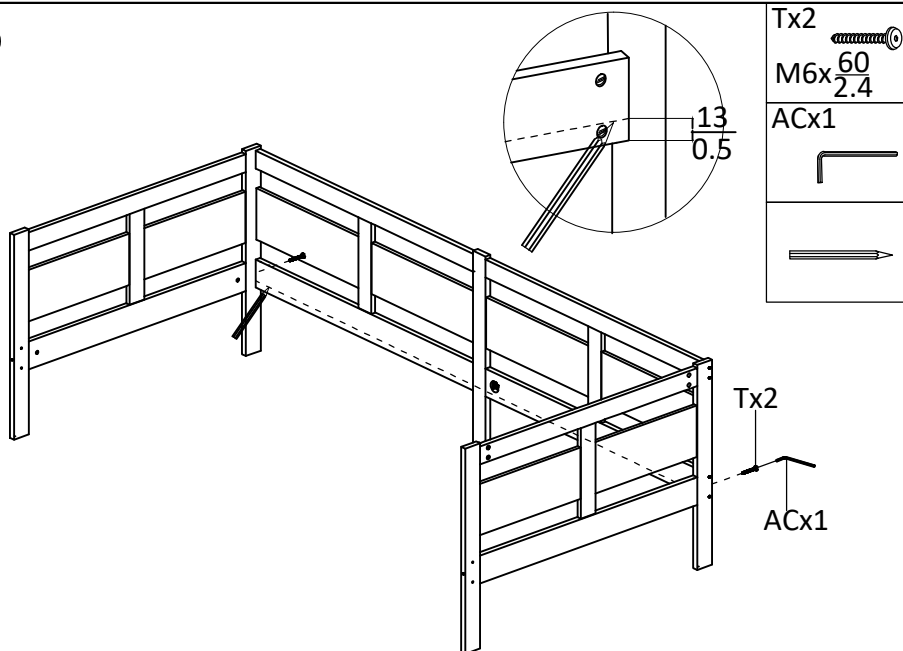
ACx1



25

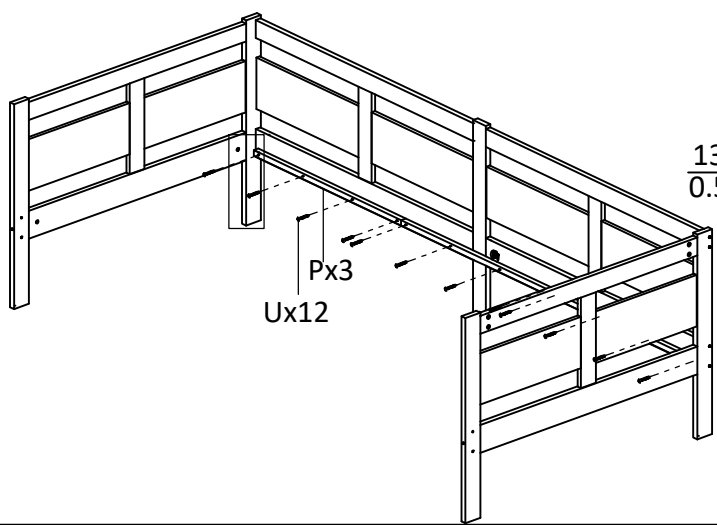
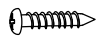


26

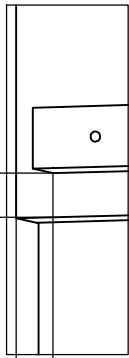


27

Ux12



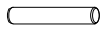
$\frac{13}{0.5}$



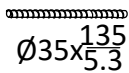
$\frac{11}{0.4}$

28

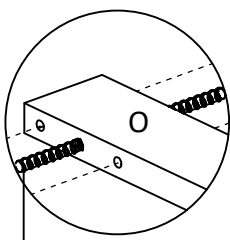
Vx4



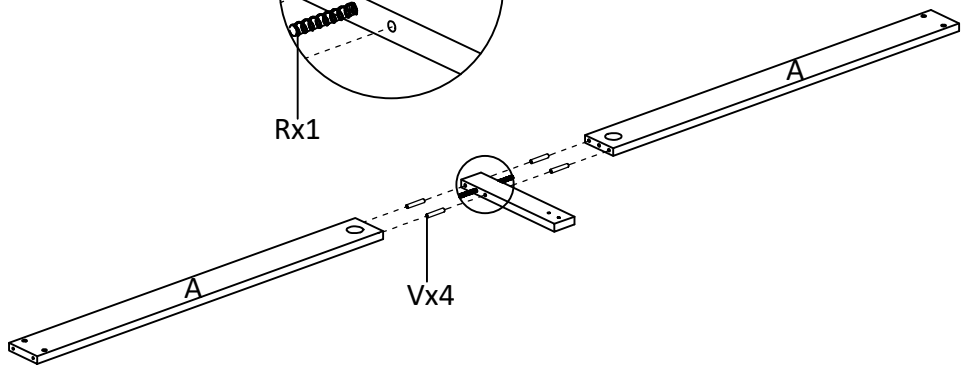
Rx1



$\frac{135}{5.3}$

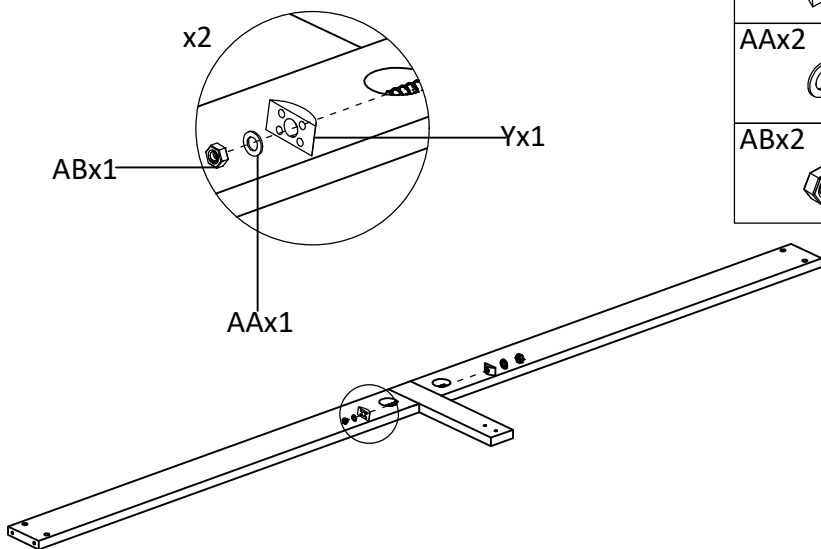


Rx1

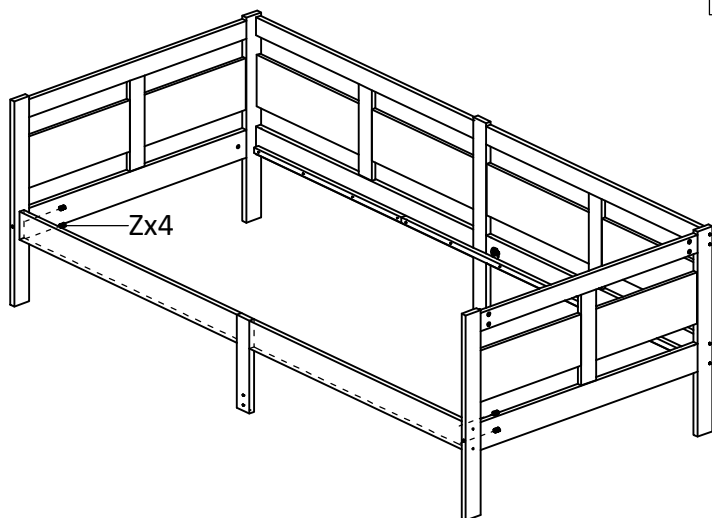


Vx4

29




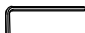
30

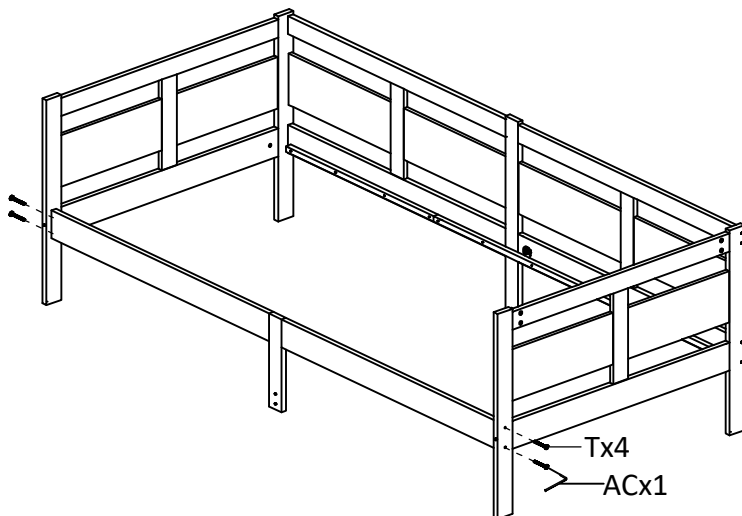


Zx4


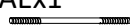


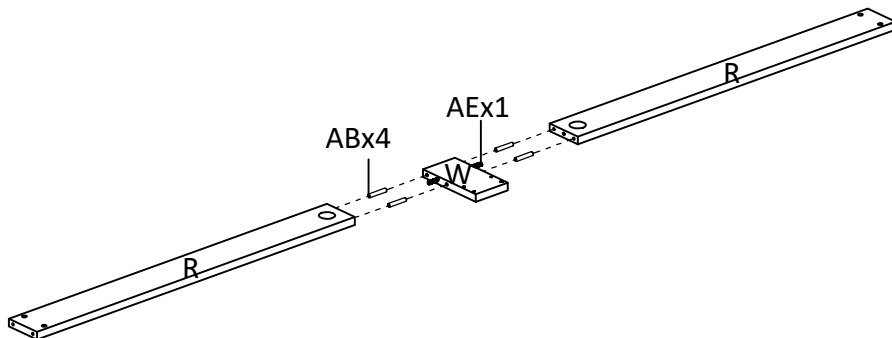
31

Tx4 
M6x $\frac{60}{2.4}$
ACx1 

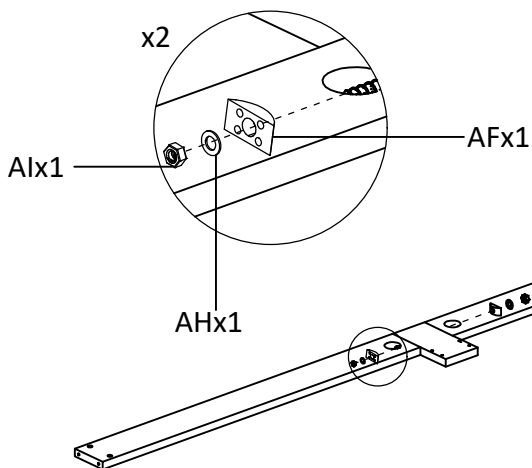


32

ABx4 
AEx1 
 $\varnothing 35 \times \frac{170}{6.7}$



33



AFx2



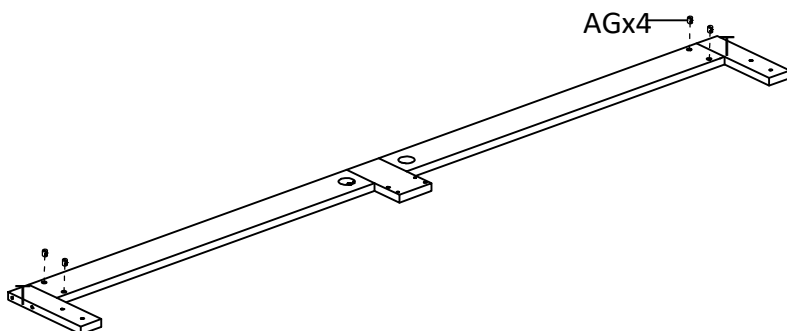
AHx2



Alx2




34




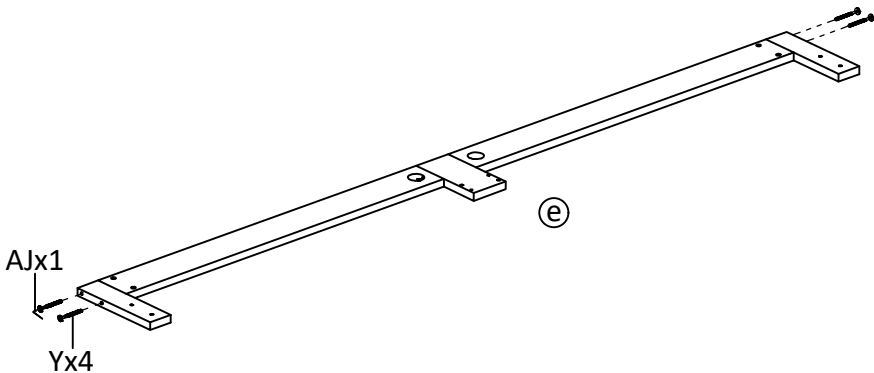
AGx4



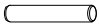
35


Yx4

M6x¹⁰⁰_{3.9}

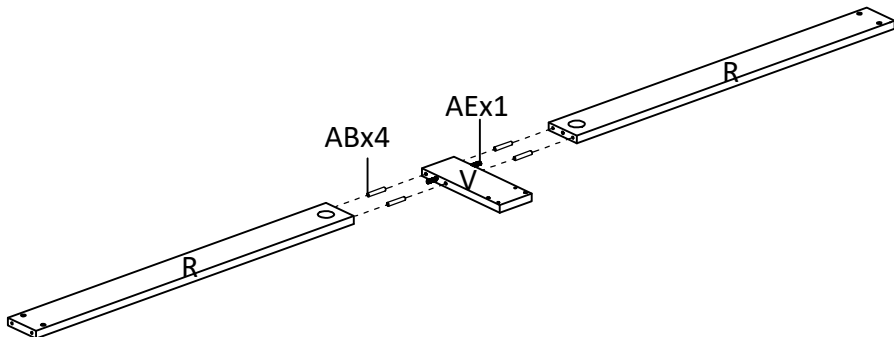
AJx1




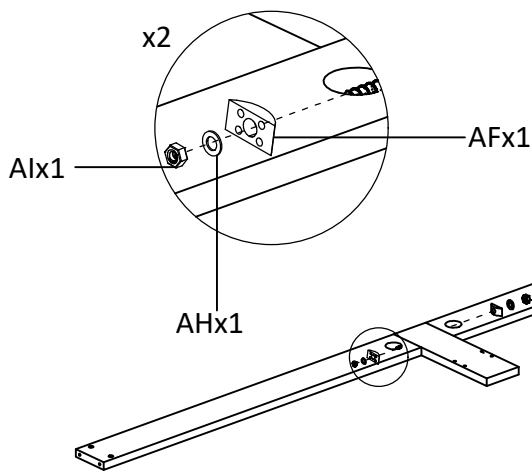
36

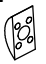


ABx4


AEx1

Ø35x¹⁷⁰_{6.7}

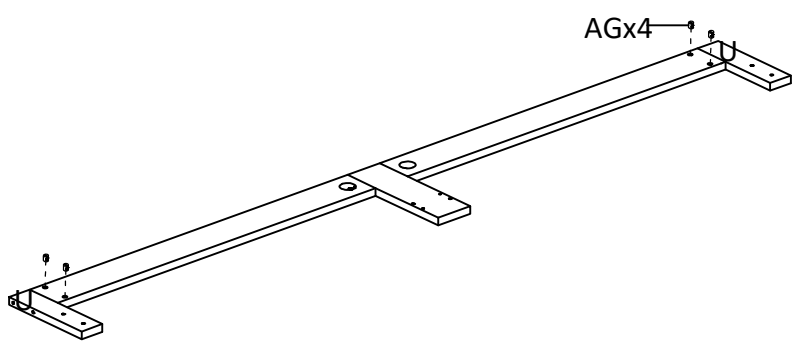


37



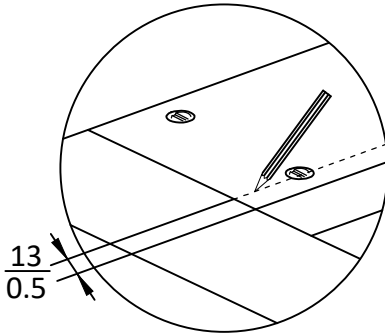
- AFx2 
- AHx2 
- Alx2 

38

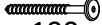



- AGx4 


39

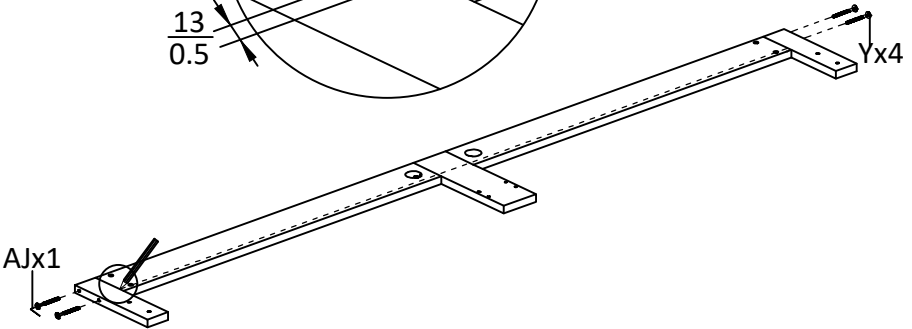


$\frac{13}{0.5}$

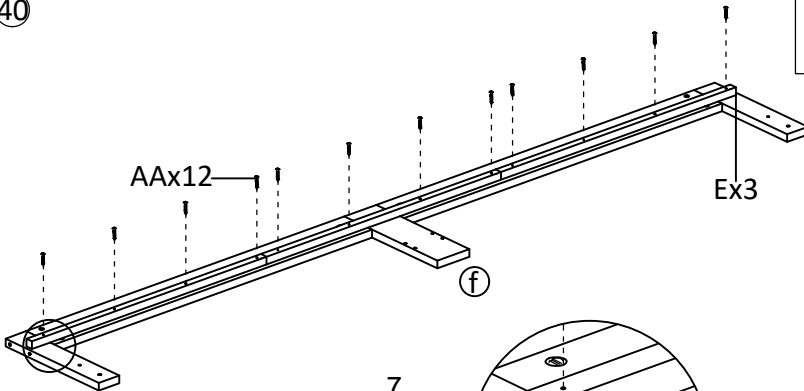
Yx4

M6x¹⁰⁰_{3.9}

AJx1






40



$\frac{7}{0.3}$

$\frac{13}{0.5}$

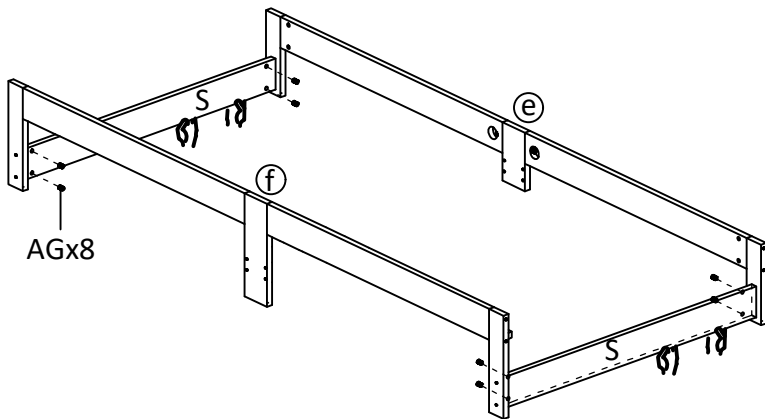
AAx12


Ex3

f

41

AGx8



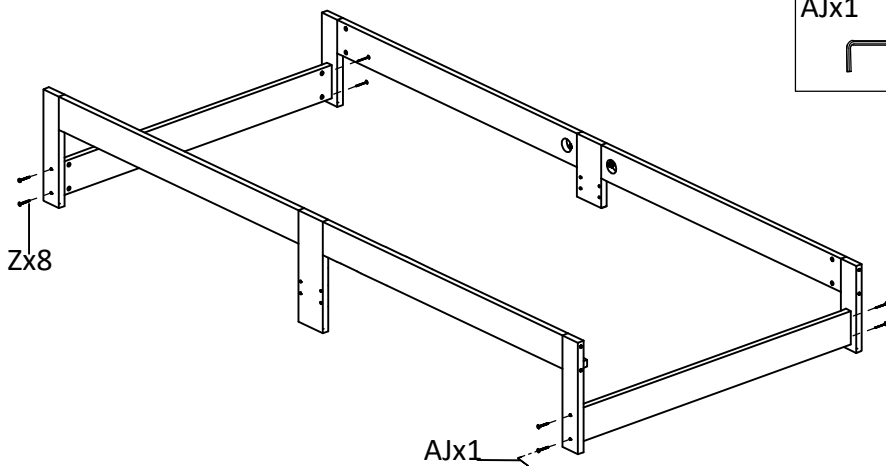
42

Zx8



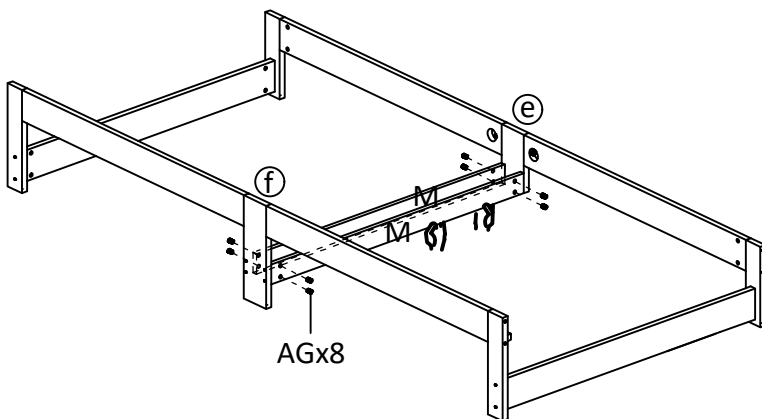
M6x $\frac{60}{2.4}$

AJx1



43

AGx8



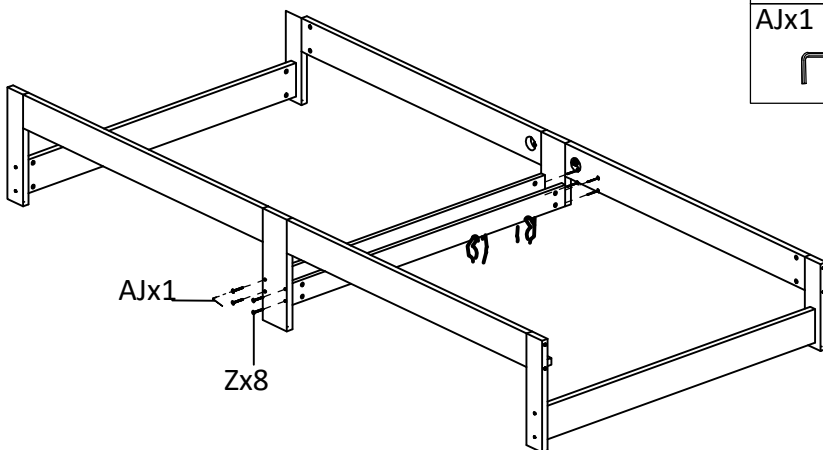
44

Zx8

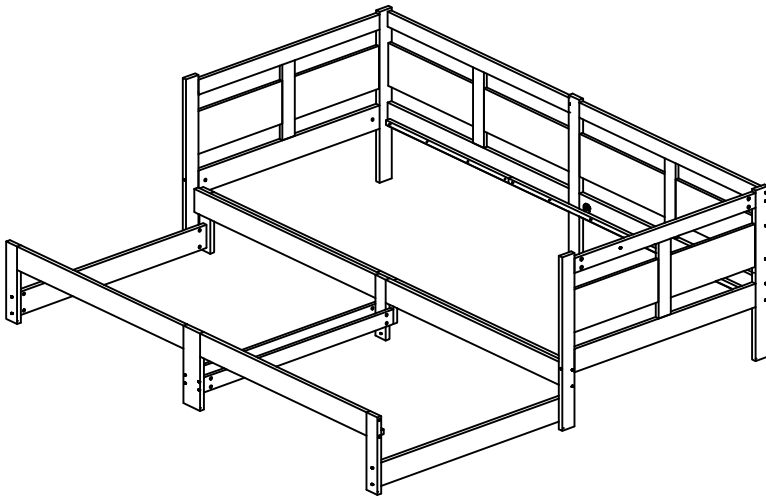
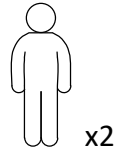
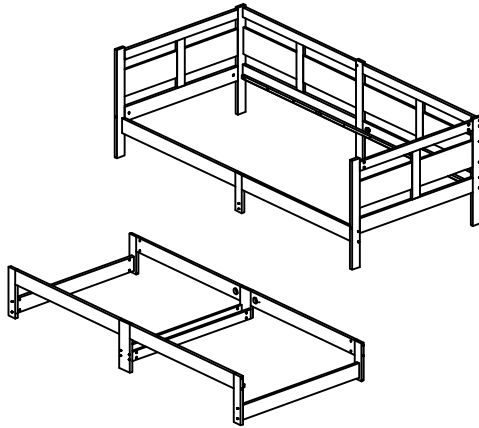


M6x $\frac{60}{2.4}$

AJx1

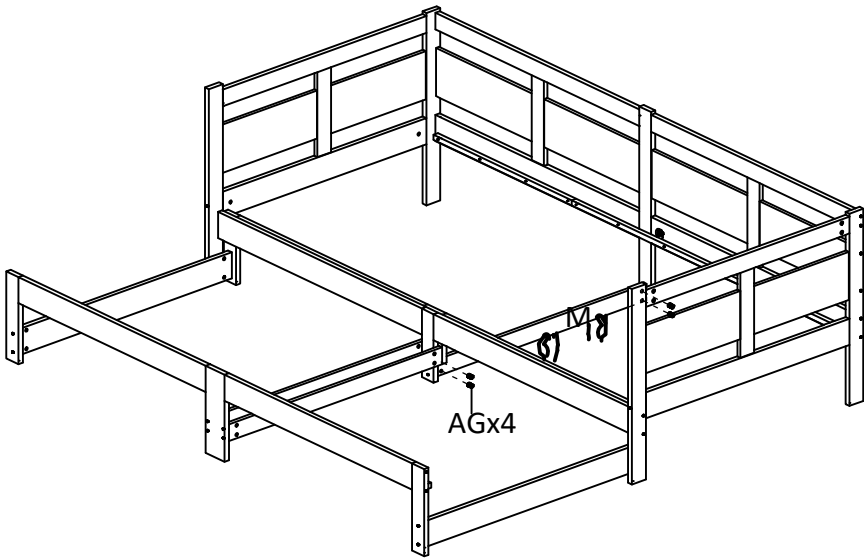


45

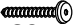



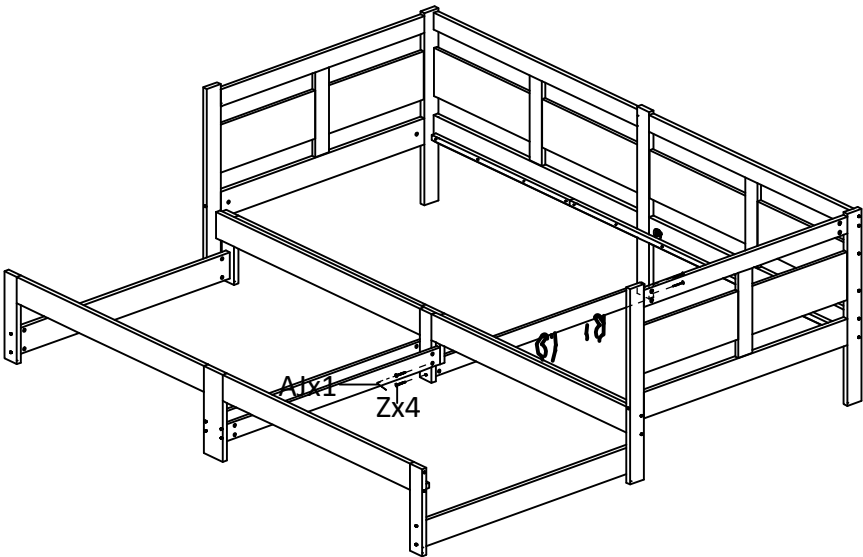
46

AGx4



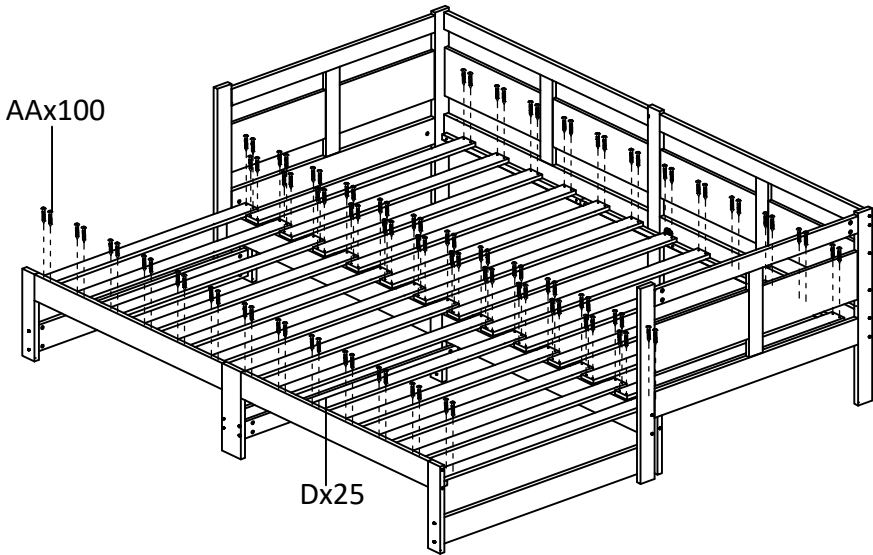
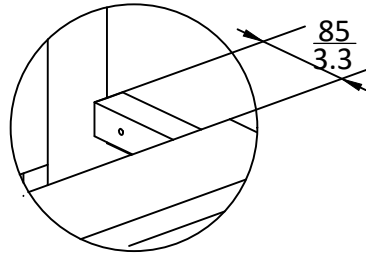
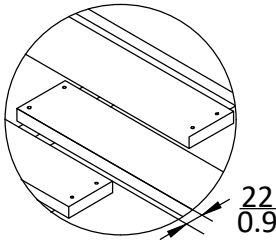
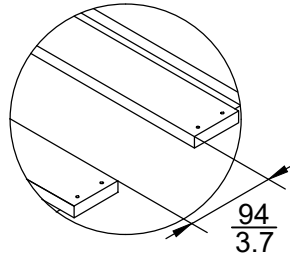
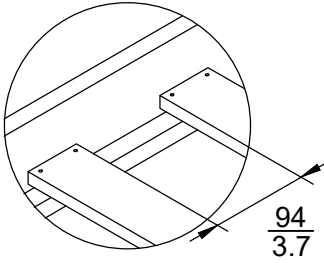
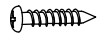
47

Zx4	
M6x	$\frac{60}{2.4}$
AJx1	

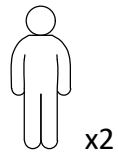
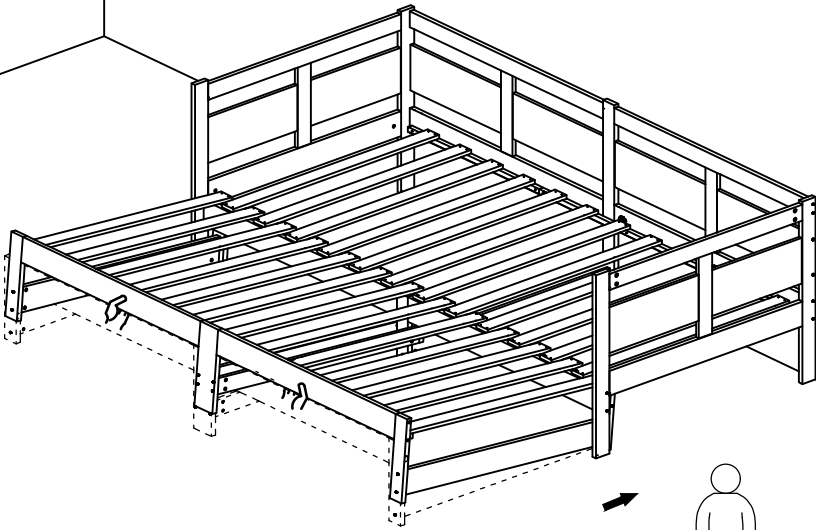


48

AAx100



49



50

