

Water Temperature Setting	Display Temperature	Outlet Temperature
Normal Temperatures	25°C	Normal Temperatures
45°C	45°C	45°C+2°C
65°C	65°C	65°C+2°C
85°C	85°C	85°C+2°C
Boiled Water	HI	≈93-99°C

\* The above temperature test data are from the laboratory.  
 \* The water temperature may be slightly different due to the influence of the voltage, the temperature of the incoming water and the altitude.

#### 7. Water shortage alarm

In the normal process of water collection, if the machine does not detect any water within 5 seconds, the 'Low Water' indicator will light up, and at the same time, it will emit a 'beep, beep, beep' water shortage tone, please make up the water in time.

#### 8. Descaling

According to the instructions of the citric acid product used, add the diluted citric acid solution to about 1/3 of the water tank (about 1.0L), and place a container of not less than 1.5L under the spout (for receiving hot water).  
 Set the temperature to boiling water and the volume of the cup to 500mL. After the water has been discharged twice, pour out the remaining water in the tank and clean the tank. Add about 1.0L of filtered water at room temperature and press the water button again to finish descaling.

\* **Note: Do not drink the hot water discharged during descaling. Be careful not to spill water out of the container during the cleaning and descaling process.**

### 3. Repair And Maintenance

- If it is not used for a long time, please turn off the power and pour out the remaining water in the water tank, and take 500mL boiling water before using it again.
- The water tray is removable, the water tank can be put into the water to clean, and dry with a soft cloth;
- The water tank should not be stored for more than 48 hours;
- Do not place the water dispenser in direct light or near the light environment, please clean the water tank regularly to keep the water tank clean;
- It is recommended to clean the water tank once a week;

### 4. Points To Note

- Place the water dispenser on a stable countertop and keep it there while in use;
- Use the power socket correctly and disconnect the power supply during maintenance and transportation;
- Do not rinse the water dispenser with water and avoid using it in high temperature and humid places;

- Do not allow young children to touch, approach or operate the water dispenser.
- Do not allow young children to touch, approach or operate the water dispenser. If the power cord is damaged, it must be replaced by the manufacturer, its maintenance department or a professional of a similar department to avoid danger.
- Do not add more water than the maximum scale.
- Do not add hot water, ice cubes, or other mixed liquids such as milk or juice;
- Please use the socket with grounding wire with rated current of 10A or above, avoid sharing the socket with other electrical appliances to avoid fire caused by abnormalities; Do not use wet hands to unplug the plug to avoid causing fire or short circuit.
- Do not use the socket for voltages other than 220V AC to avoid fire or electric shock.

### 5. Troubleshooting

Failure Phenomenon	Reason for failure	Solution
Water dispenser does not start	The power cord plug is not connected.	Ensure that the power cord plug is properly connected to the outlet.
Water temperature indicator blinks after switching on	The water dispenser is in a water shortage alarm condition.	Is the water tank low on water
High temperature of hot water	Water temperature in the tank is above 30°C.	Fill the water tank with room temperature water.
Indicator light does not light up after power on, and the buttons do not respond.	Circuit Board Damage	Contact Customer Service

### 6. Material details

The food-grade contact materials and parts of the water dispenser comply with the requirements of GB 4806.1-2016 and the corresponding national standards for food safety, and the specific information is as follows			
Names	Food Contact	Use	Executive Guarantee
Metal	304, 444 Stainless Steel	Heater, Tank Filter, Tank Spring, Inlet NTC, Outlet NTC, Water Pipe Spring	GB 4806.4-2016
Silicone Rubber	Silicone	Water pipe joint sealing ring, water tank seat silicone/water outlet silicone plug, boiler water inlet silicone/water tank inner gasket, silicone tube	GB4806.11-2016
Plastics	HIPS	Main unit casing, water tray	GB4806.7-2023
	PS	Water Pump	GB4806.7-2023
	PP	Tank Holder Bracket	GB4806.7-2023
	PP, PS	Inlet Connector, Outlet Cap	GB4806.7-2023

### 7. Eco-checklist

Names and contents of toxic and hazardous substances or elements in the products

Part Name	Hazardous and toxic substances or elements					
	Pb	Cd	Hg	Cr6+	PBB	PBDE
Hardware fasteners	○	○	○	○	○	○
Hardware Structural Parts	○	○	○	○	○	○
Plastic Structural Parts	○	○	○	○	○	○
Sealing Components	○	○	○	○	○	○
PCB Components	×	×	○	×	×	×
Electrical Components	×	×	○	×	×	×
Heating components	×	○	○	○	○	○
Power and internal cables	×	○	○	○	×	×

This table is compiled in accordance with the provisions of SJ/T 11364

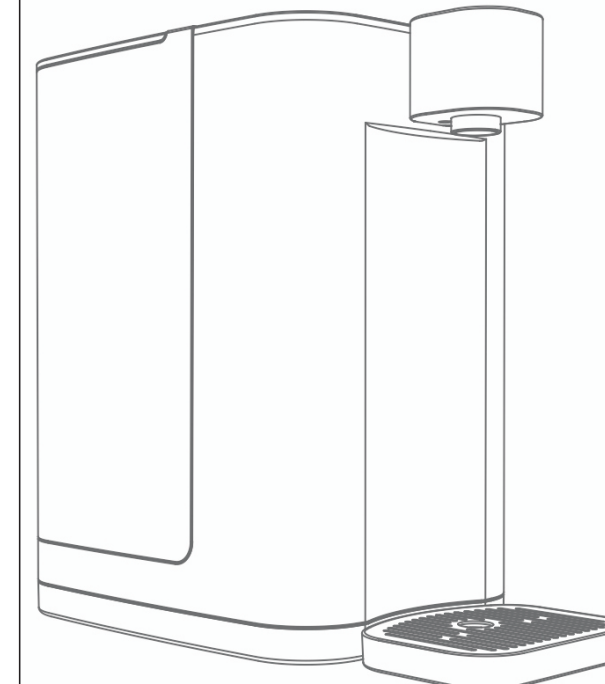
○ : Indicates that the content of the hazardous substance in all homogeneous materials of the component is below the limit stipulated in GB/T 26572.

× : Indicates that the content of the hazardous substance in at least one homogeneous material of the component is within the limits specified in GB/T 26572.

# ITOMOMI

## Instant Hot Water Dispenser

### Instruction manual



Q8-1

Dear Users

To Users

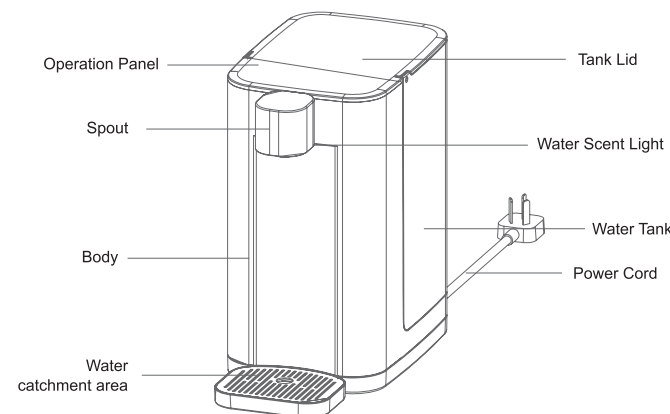
Dear user, thank you for choosing to use this product. In order to facilitate the correct use of this product, before using the product for the first time, please read this manual carefully and follow the instructions. If you encounter any problems during the use of the product, you can contact our Any problems encountered in the course of use can be referred to the Company's reseller or contact us at the telephone number and address on the warranty card, and we will be happy to serve you!

Note: If there is any technical improvement, it will be compiled into the new version of the manual without prior notice; product appearance, colour, if any change, please refer to the actual product. If there is any change in the appearance or colour of the product, please refer to the actual product.

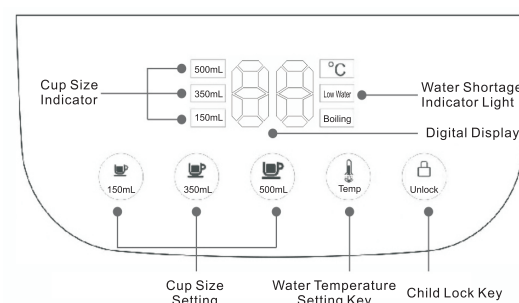
Standard: GB4706.01-2005, GB4706.19-2008

Translated with DeepL.com (free version)

### 1. Product Introduction



### Operation Panel



The illustrations of products, accessories, user interface, etc. in the manual are schematic diagrams for reference only.

Due to product updates and upgrades, there may be slight differences between the actual product and the illustrations, please refer to the actual product.

Product Specification

Product Name: Instantaneous Drinking Water Dispenser	Model: Q8-1
Net Weight: 1.9Kg	Rated Power: 2000W
Rated Voltage: 220V	Capacity: 2.8L
Applicable water source: filtered water	Product size: 260×142×248mm

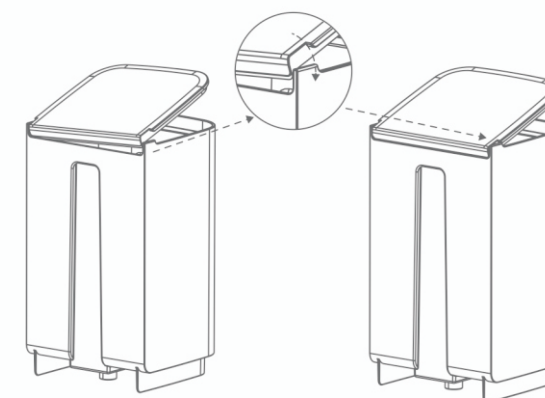
This product is only suitable for use in areas below 2000 metres above sea level.

### 2. Product Use

Preparation before use

#### 1. Installing the water tray and water tank

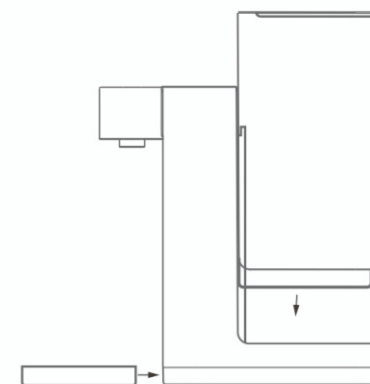
Take out the water tray from the package and place the arrow at the bottom of the tray against the base of the machine. The water tank should be vertical. Lift up and move away, when the water tank is put down, it should be put down vertically and pressed tightly against the machine body.



#### 2. Water Tank Filling

Before use, please clean the water tank, add drinking water, and then install it on the water dispenser as shown in the picture.

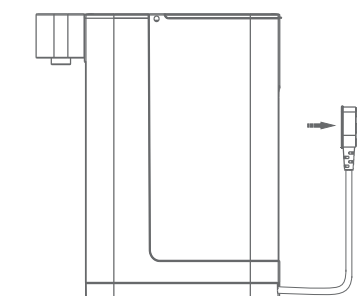
**Note: Please do not add hot water or tap water; When holding the water tank with one hand, use your hand to hold it tightly at the handle position to avoid dropping.**



#### 3. Power on/off

Connect the power plug to 220V household power supply, the water dispenser will emit a beep sound and all the indicator lights will flash for 1 second and then go out to enter the power-on state. The water dispenser will standby normally. During the process of water dispensing, the water temperature is continuously displayed.

**Note: Do not consume the water during the first use.**



#### 4. Unlocking

After pressing the child lock button, you will hear a beep, the rest of the buttons will light up, and the ambient light will light up at the same time, which means the unlock is successful. The water dispenser will automatically enter into the lock state after 30 seconds without any operation. At this time, only the child lock key will light up, the rest of the key lights will go out, and the ambient light of the water outlet will go out synchronously.

#### 5. Water collection

Unlocked state, according to the demand for different amounts of water and temperature can be selected, press any amount of cups of water can be out of the key. When you hear the 'beep' tone, the water is complete. In the process of getting water, press any amount of water button again to manually stop the water. Stop the water will have a slight delay to prevent dry burning, is a normal phenomenon.

#### 6. Temperature adjustment

Tap the thermostat key to set the desired water temperature, commonly used temperature 25°C, 45°C, 65°C, 85°C, boiling water, long press the thermostat key can be adjusted every 1°C.

420\*148.5mm