

ASSEMBLY INSTRUCTIONS



Fine Furniture for every stage of life

OFFICE CHAIR

PAGE 1 OF 4

ASSEMBLY INSTRUCTIONS

ASSEMBLY TIPS:

1. Remove hardware from box and sort by size.
2. Please check to see that all hardware and parts are present prior to start of assembly.
3. Please follow attached instructions in the same sequence as numbered to assure fast & easy assembly.



WARNING!

1. Don't attempt to repair or modify parts that are broken or defective. Please contact the store immediately.
2. This product is for home use only and not intended for commercial establishments.



ASSEMBLY TIME

10 MINUTES

PARTS IDENTIFICATION

A BASE



1PC

B LEG



5PCS

C CASTER



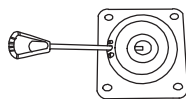
5PCS

D GAS CYLINDER



1PC

E
ADJUSTING
PLATE



1PC

F SEAT AND BACK



1PC

1

ALLEN
WRENCH
(M6)



1PC

2

BOLT
(M6 x 20mm)



4PCS

3

BOLT
(M6 x 10mm)



5PCS

4

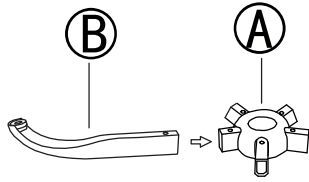
WASHER
(ϕ 6 x ϕ 18mm)



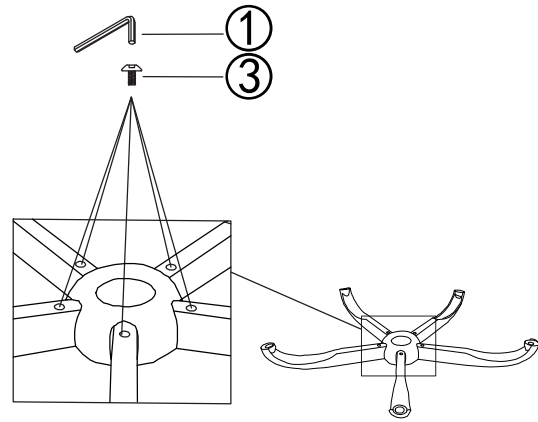
4PCS

ASSEMBLY INSTRUCTIONS

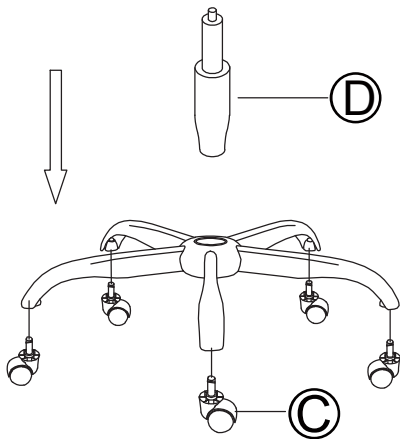
STEP 1



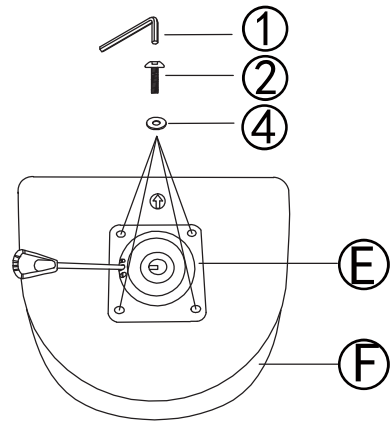
STEP 2



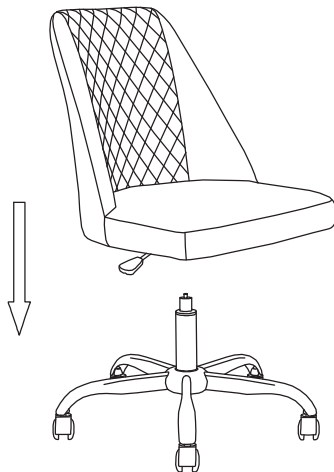
STEP 3



STEP 4

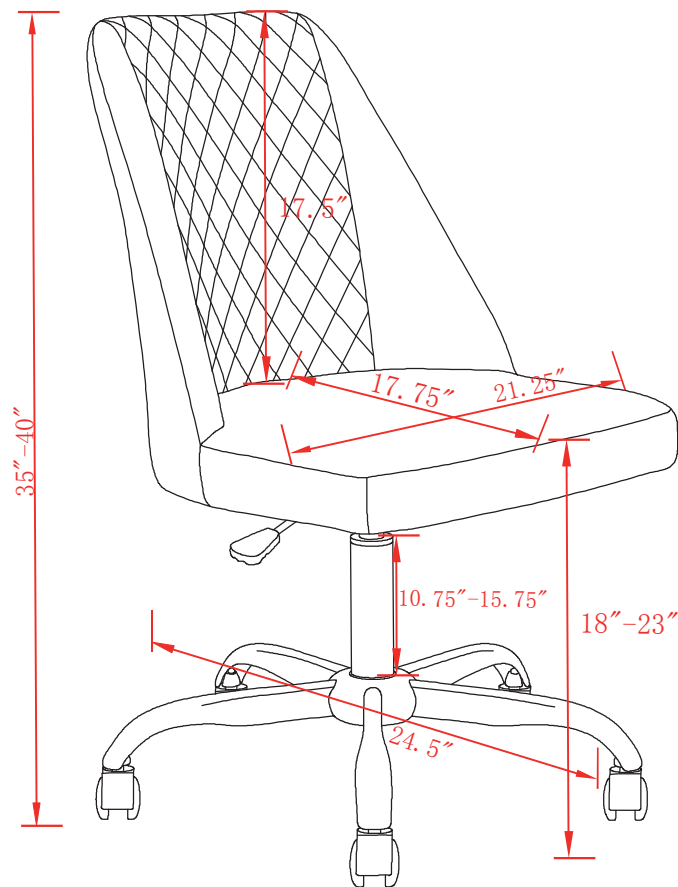


STEP 5



ASSEMBLY INSTRUCTIONS

STEP 7



Note : Dimension tolerance $\pm 5\%$