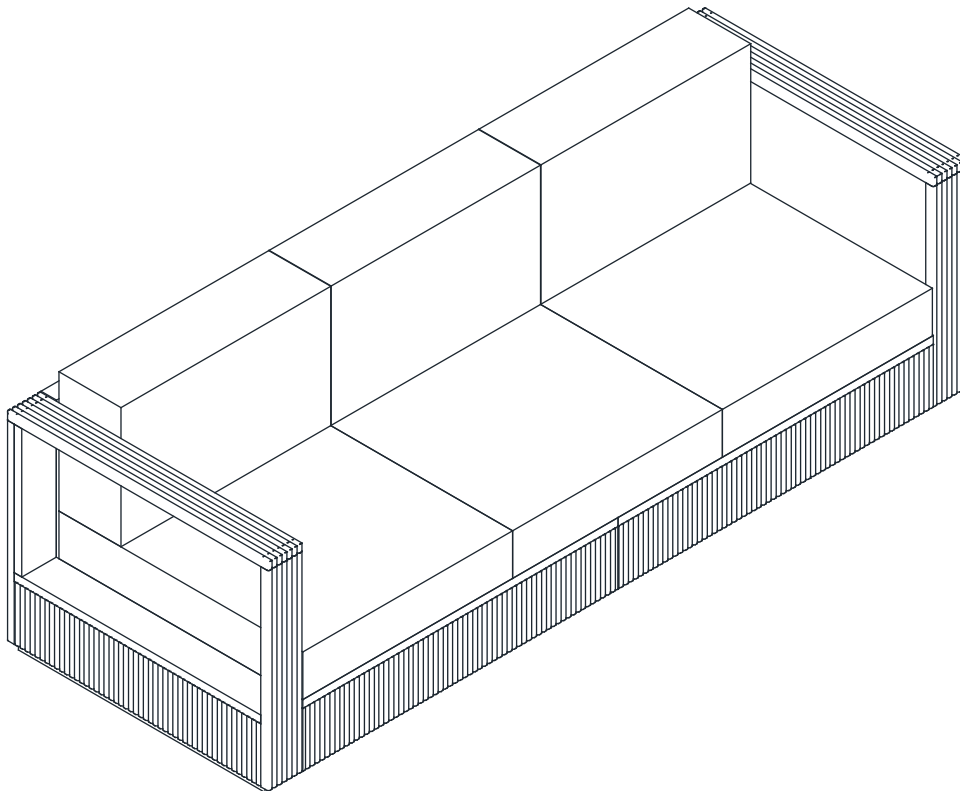


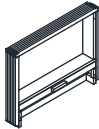
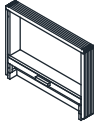
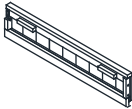
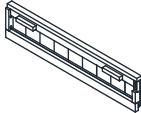
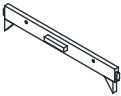
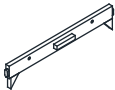
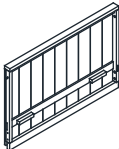
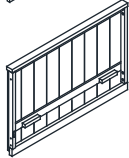
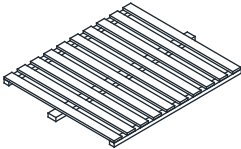
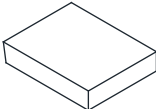
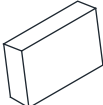
# TEAK WOOD PATIO SOFA

Assembly Instructions



Every thing we make is incredibly simple to set up, including your new sofa. You won't need any additional tools.

**Parts List**

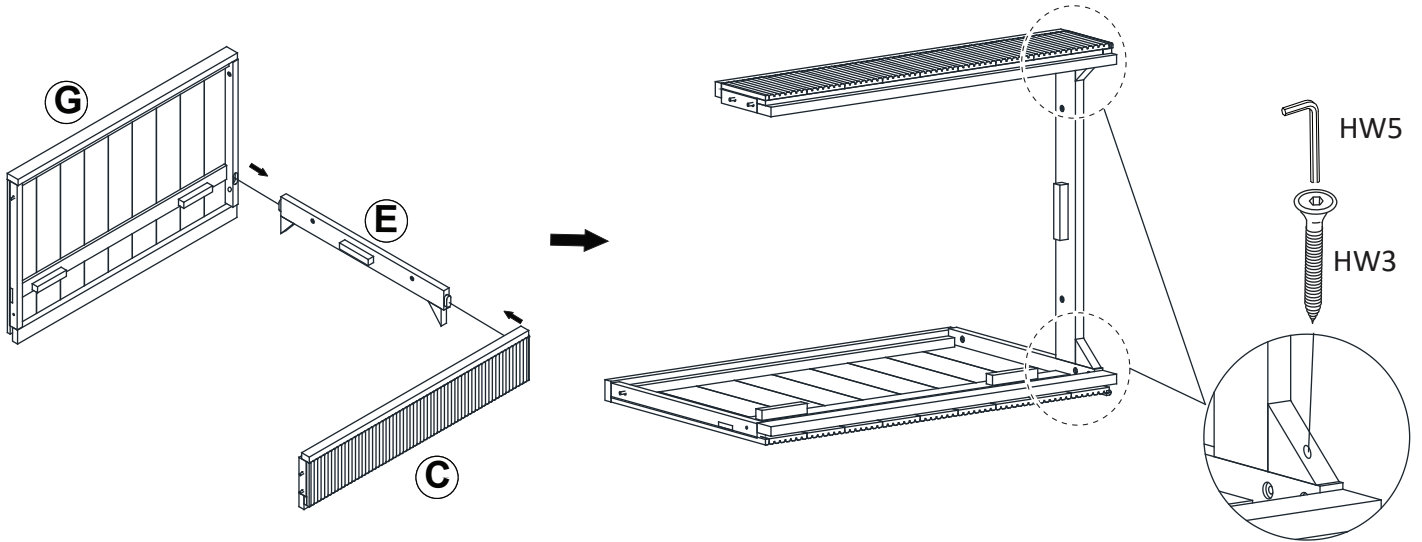
- A x 1  
Right leg Panel 
- B x 1  
Left leg Panel 
- C x 1  
Right Front panel 
- D x 1  
Left Front panel 
- E x 1  
Right Cross bar 
- F x 1  
Left Cross bar 
- G x 1  
Right Back panel 
- H x 1  
Right Back panel 
- I x 2  
Seat panel 
- CSH1 x 3  
Seat Cushion 
- CSH2 x 3  
Back Cushion 

**Hardware List**

- HW1 x 13  
Allen Bolt: M6x0.5x35 mm 
- HW2 x 4  
Allen Screw: M6x0.5x35 mm 
- HW3 x 4  
Allen Screw: M6x0.5x45 mm 
- HW4 x 5  
Sleeve Nut M6x0.5x15mm 
- HW5 x 2  
Allen key 

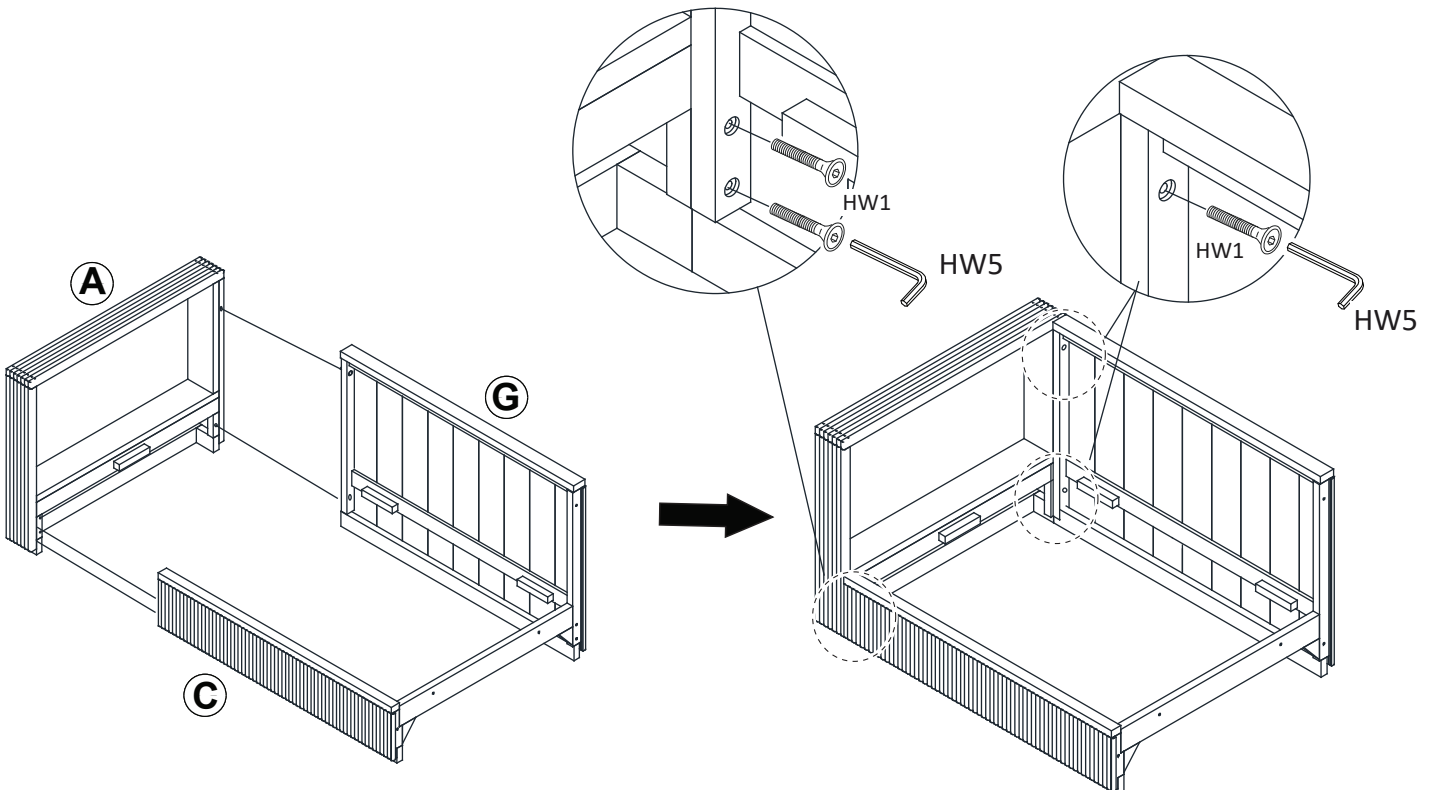
1

Attach Right Front panel (C) and Right Back panel (G) to Right Cross bar (E), use Screw (HW3) tighten with allen key (HW5). in the spots shown below.



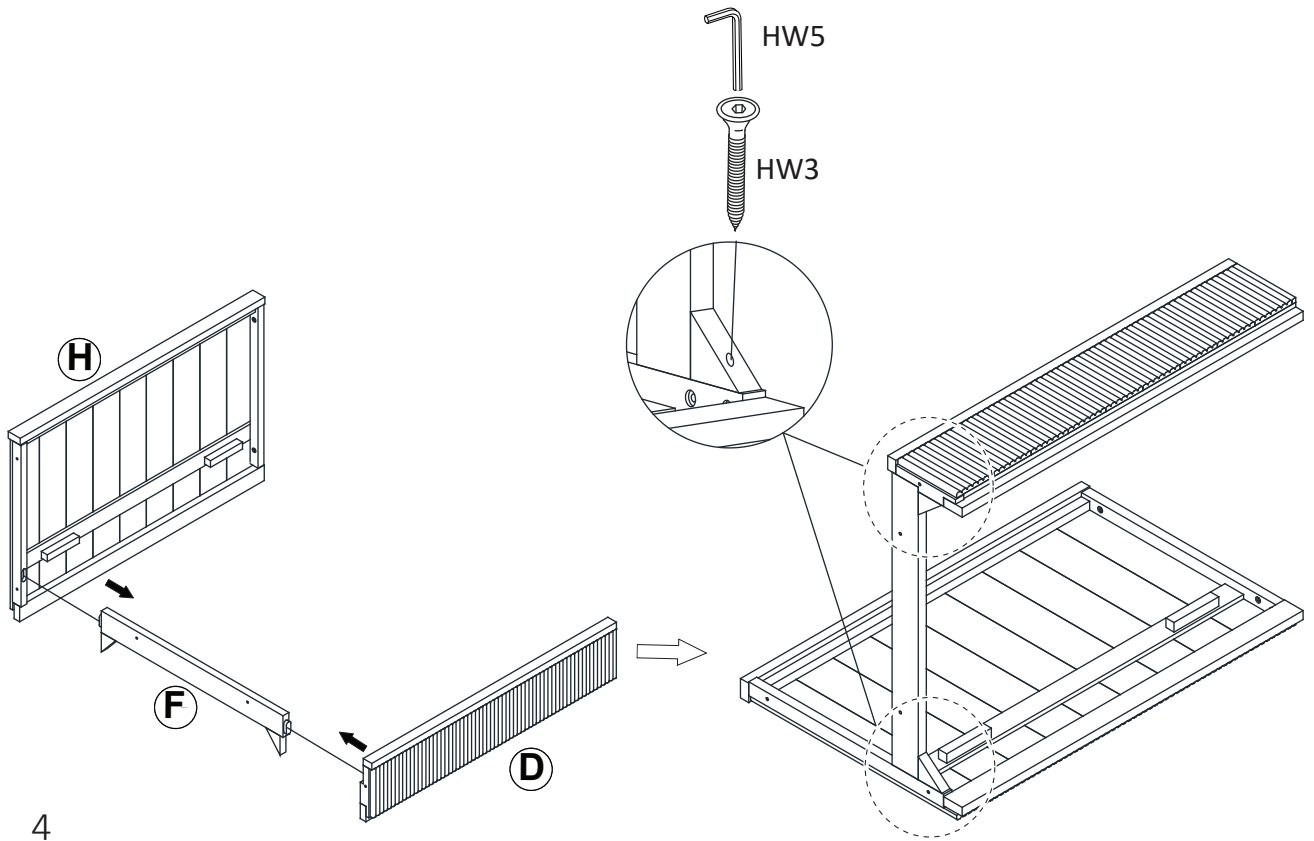
2

Attach Right leg Panel (A) to Right Front panel (C) and Right Back panel (G), use Bolt (HW1) tighten with allen key (HW5). in the spots shown below.



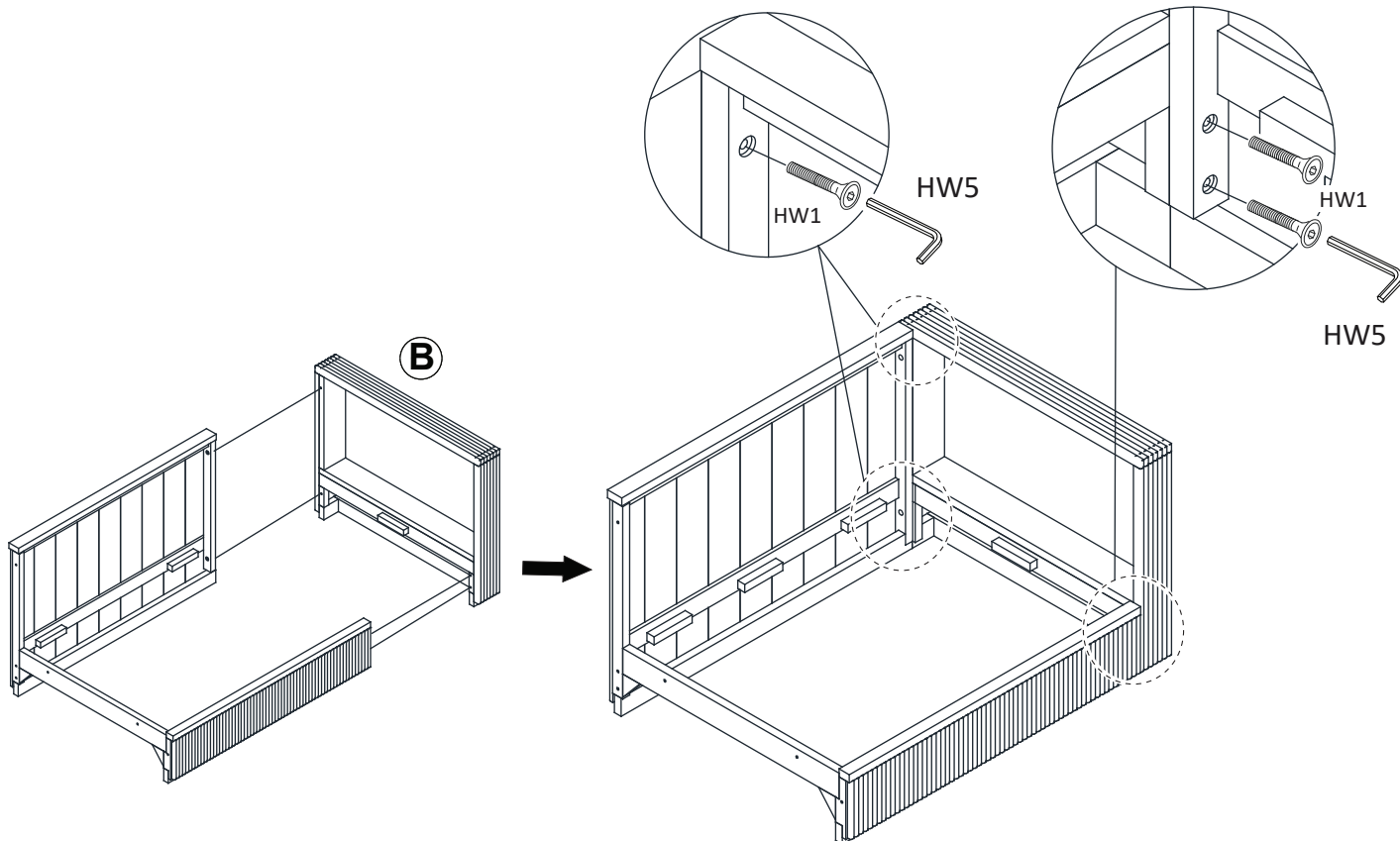
3

Attach Left Front panel (D) and Frame Back 2 (H) to Cross Bar 2 (H), use Screw (HW3) tighten with allen key (HW5). in the spots shown below.

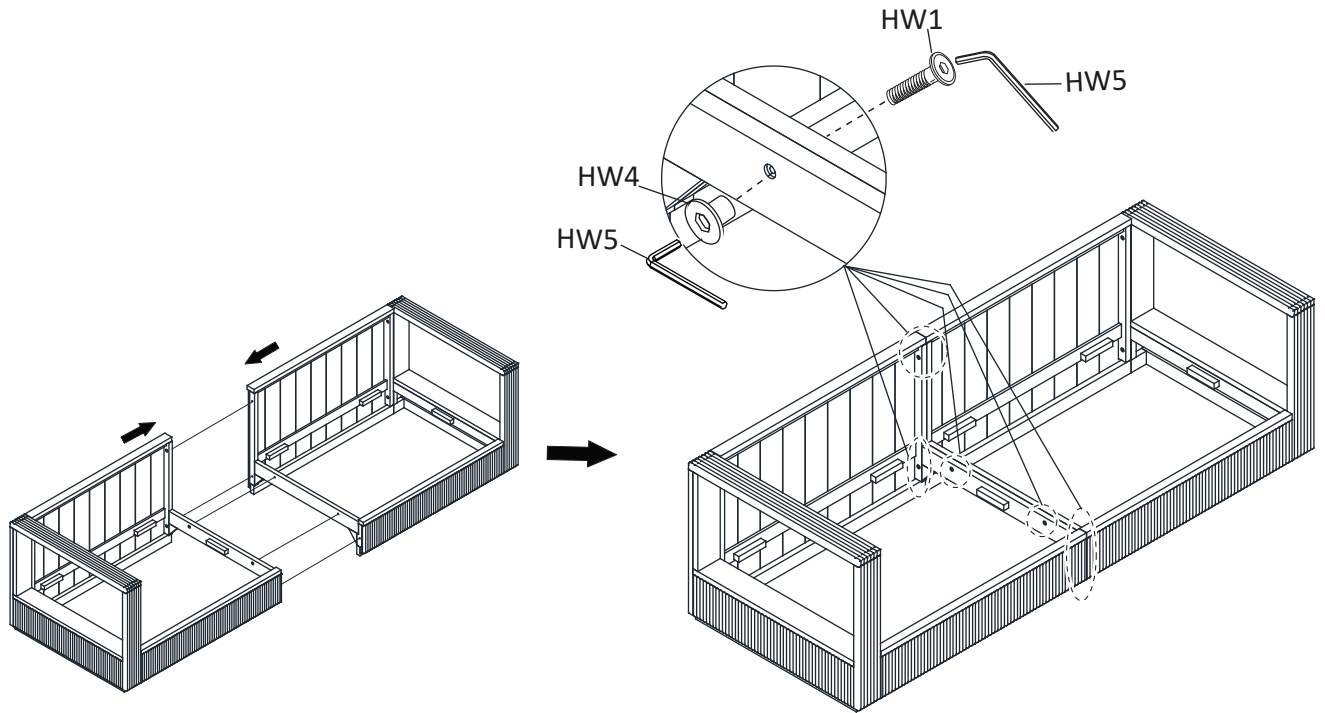


4

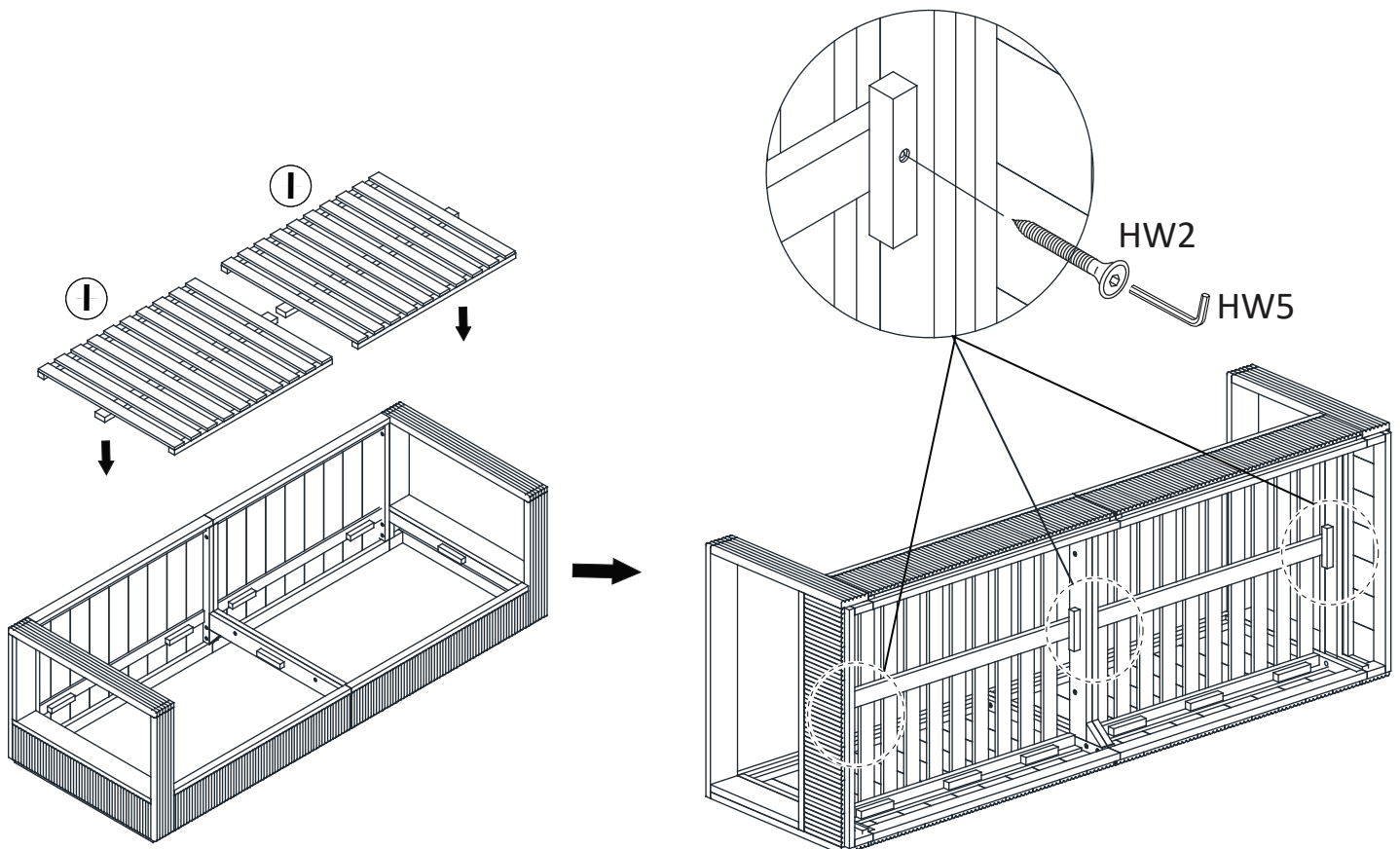
Attach Left leg Panel (B) to Left Front panel (D) and Right Back panel (H), use Bolt (HW1) tighten with allen key (HW5). in the spots shown below.



Attach Chair to Chair .Use Bolt (HW1) and Sleeve Nut (HW4) tighten with allen key (HW5).  
in the spots shown below.

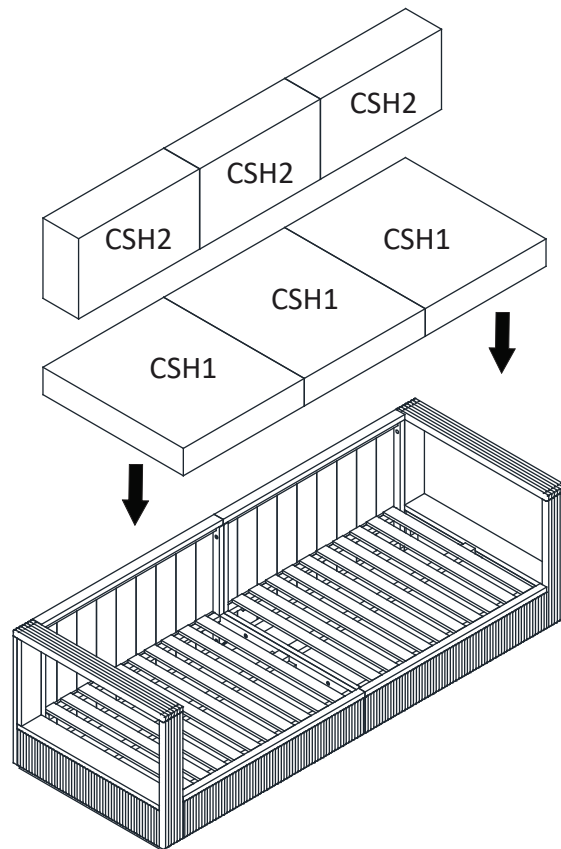


Attach Seat panel (I) to Chair .Use Screw (HW2) tighten with allen key (HW5).  
in the spots shown below.



7

Attach Seat Cushion (CSH1) and Back Cushion (CSH2) in sofa.



8

Place the sofa in the place where you will use it. We'd love to see it – just tag us and use the hashtag on Instagram!

