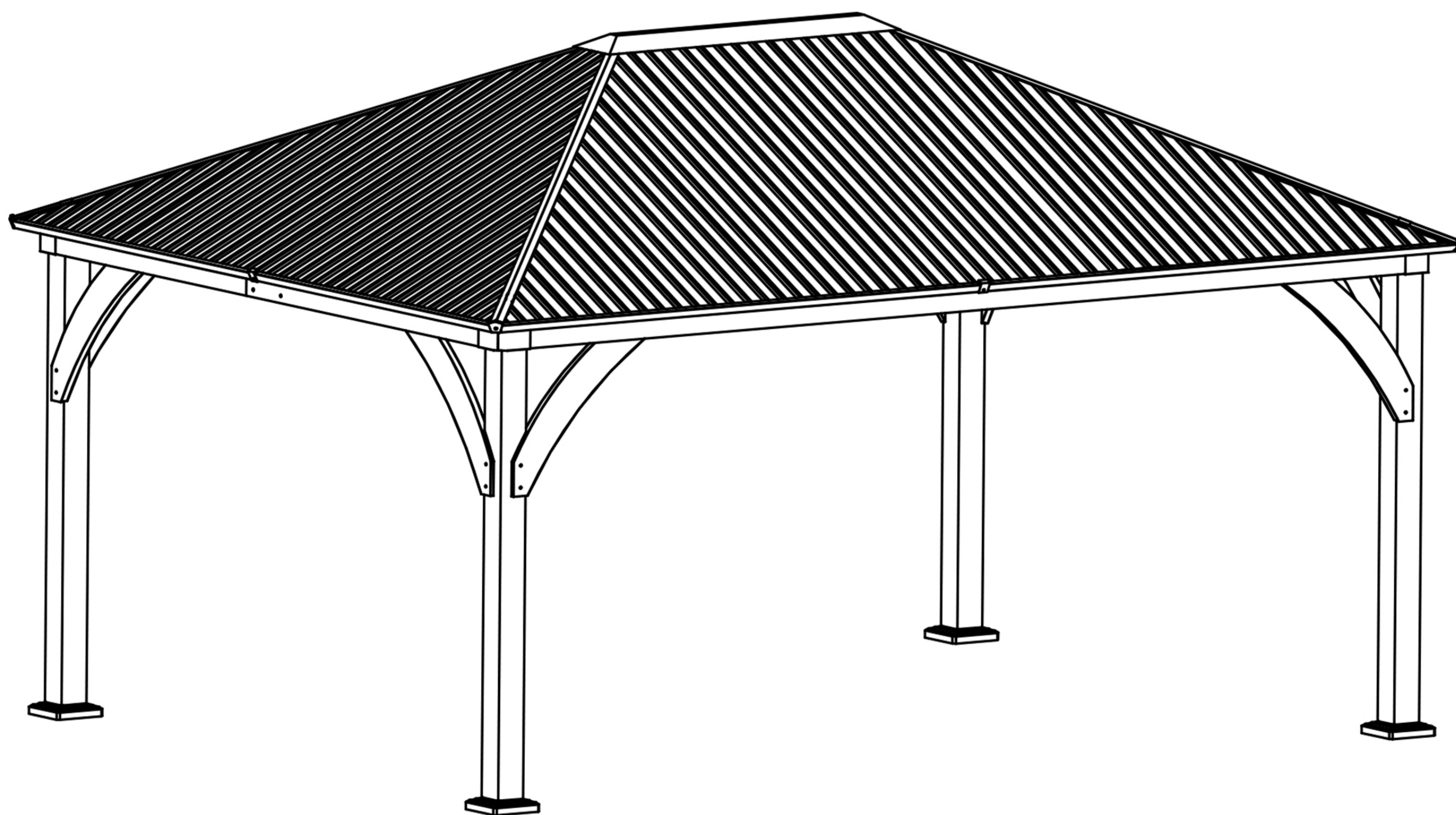


Metal Roof
Spruce Wooden Gazebo 13X15FT

SKU: C001G046V2WF-1
C001G046V2WF-2
C001G046V2WF-3
C001G046V2WF-4

ASSEMBLY INSTRUCTIONS



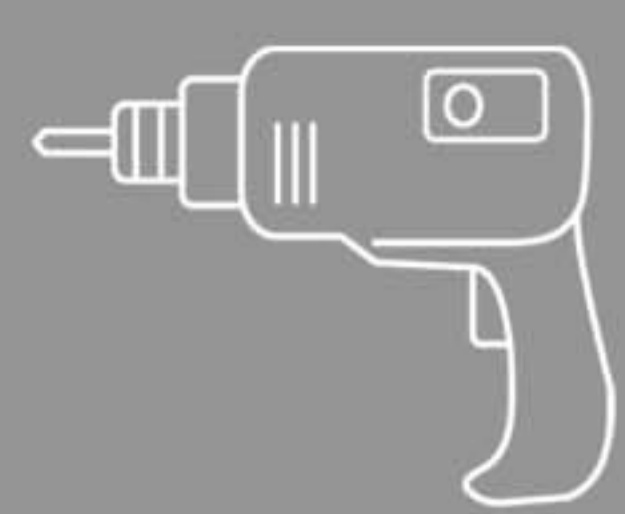
Please check the number of parts in the following accessory catalogue when unpacking. We have sent you more small parts for spare. If there is any missing or any questions about the installation. Please feel free to contact us. We will reply within 24 hours.



E-mail: cs.helper01@gmail.com

TOOLS RECOMMENDED

*NOTE: The recommended tools are not included in boxes and need to be prepared by yourself.



DRILL



RUBBER Mallet



STEPLADDER
(6.5Ft Or More)



SAFETY HAT



GLOVES



SAFETY GOGGLES

ATTENTIONS



Since it is easy to lose many small accessories during the installation, please collect all the screw accessories before the assembly is completed



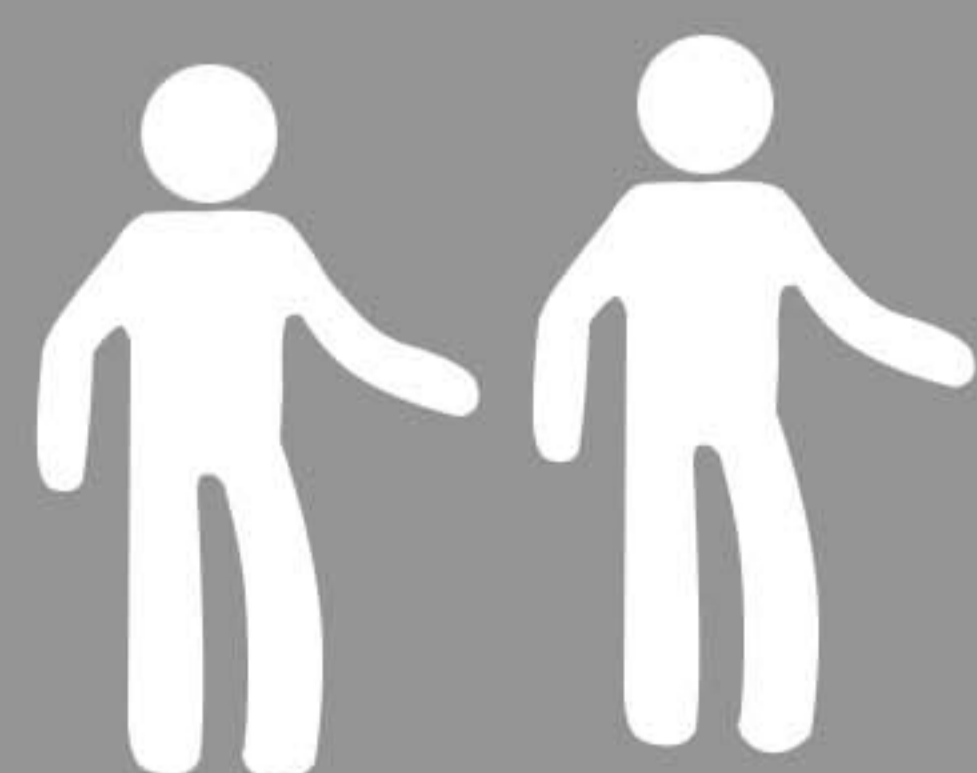
To better align the screws for practical situations, do not fully tighten screws initially



Please reinforced the Gazebo and do not use in heavy winds or inclement weather



Make sure all screws are tightened before use and check all screws, buckles and straps every 90 days



Two or more people are required for assembly



Please clear the snow off the roof in time for the heavy snowfall and do not use it

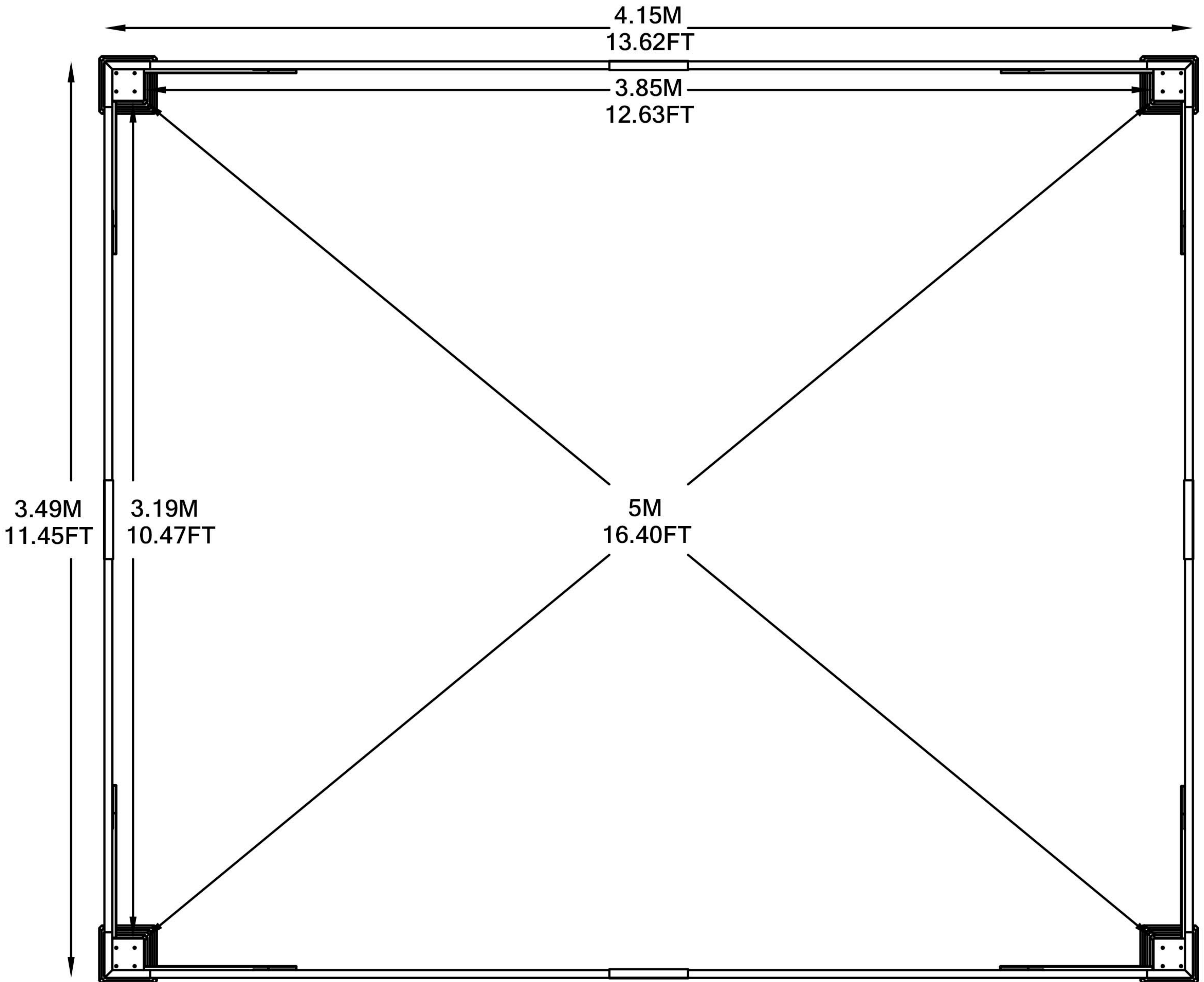
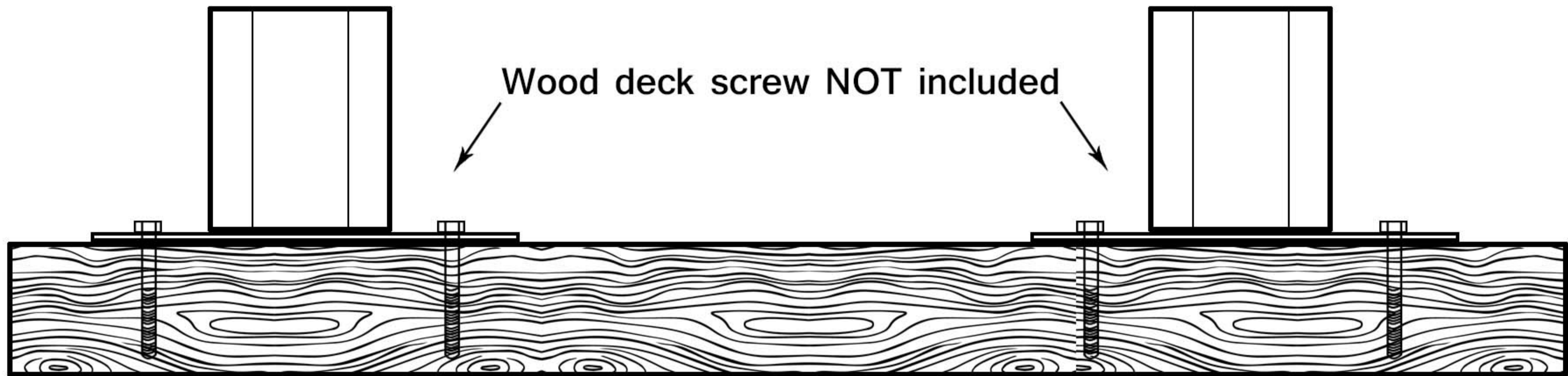
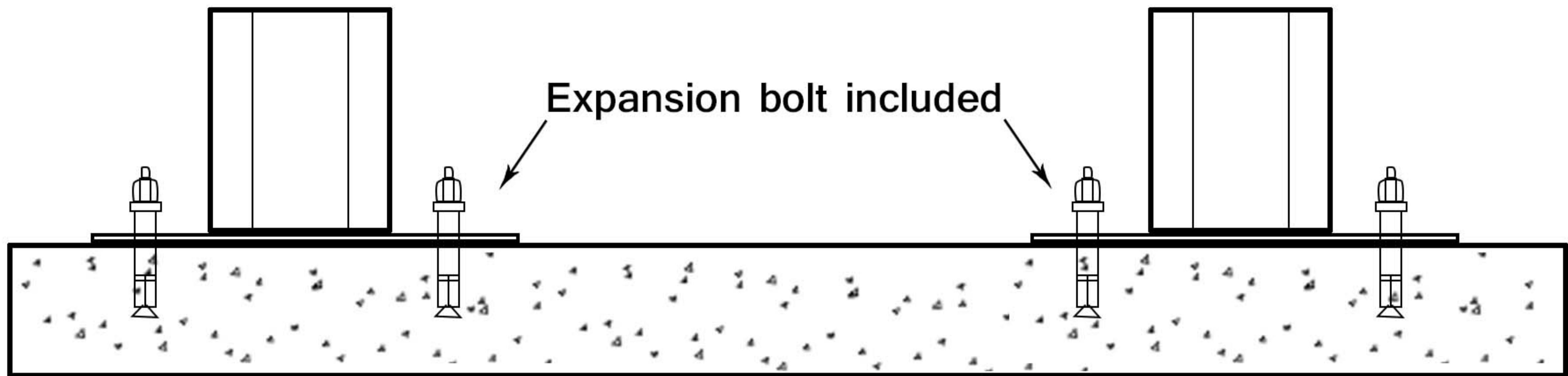
Please take care of the screws and contact the after-sales service if there is any problem with the installation or parts.



E-mail: cs.helper01@gmail.com

Permanent Installation Examples

Our supporting expansion screws can only be used for cement floors, customers need to bring their own special screws if they are used for wood floors



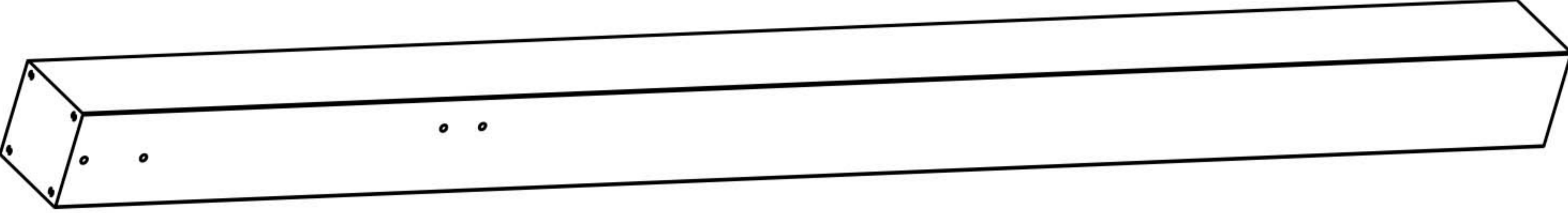
Please take care of the screws and contact the after-sales service if there is any problem with the installation or parts.

➔ ✉ E-mail: cs.helper01@gmail.com

ACCESSORY CATALOGUE

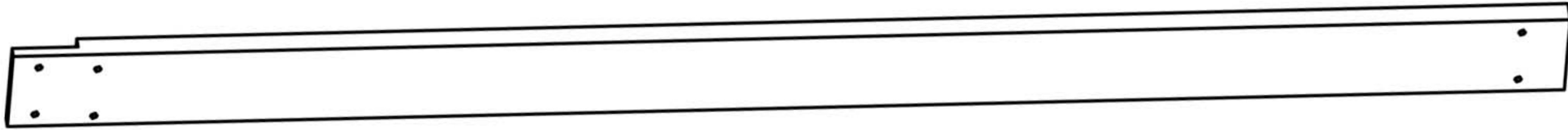
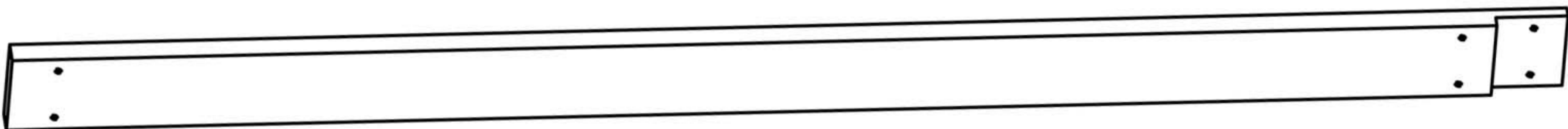
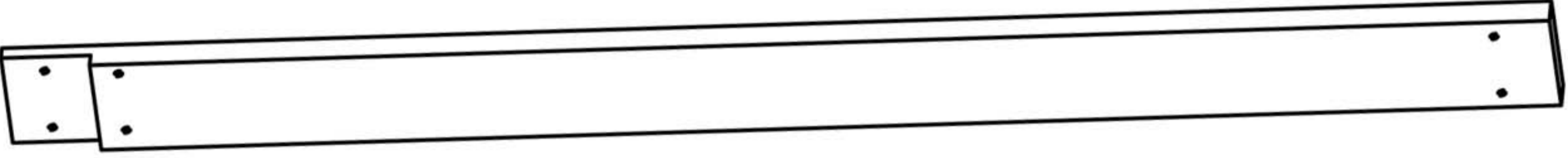
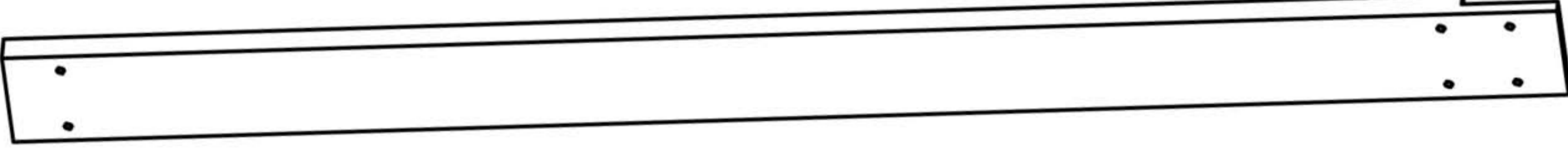


BOX 1

SKU: C001G046V2WF-1

Item no.	Reference Image	Qty.
A		4

BOX 2

SKU: C001G046V2WF-2

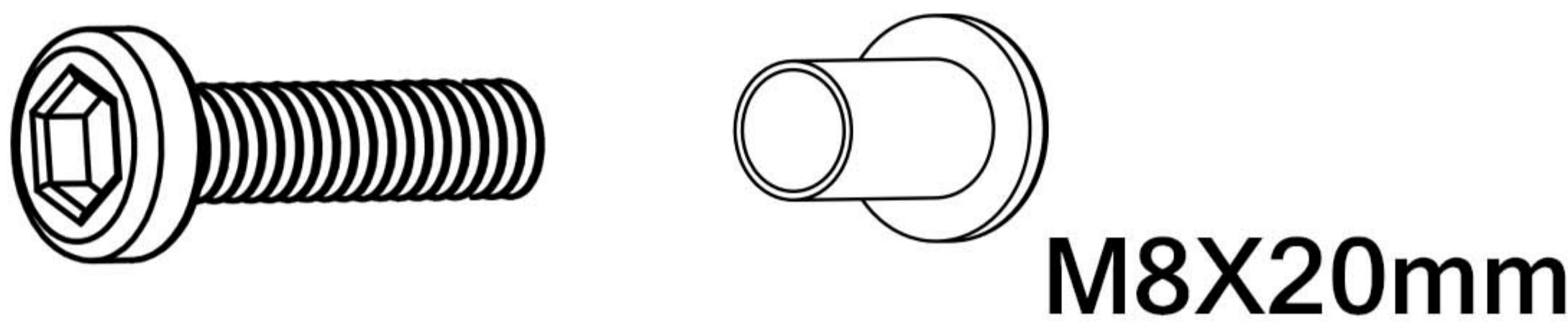


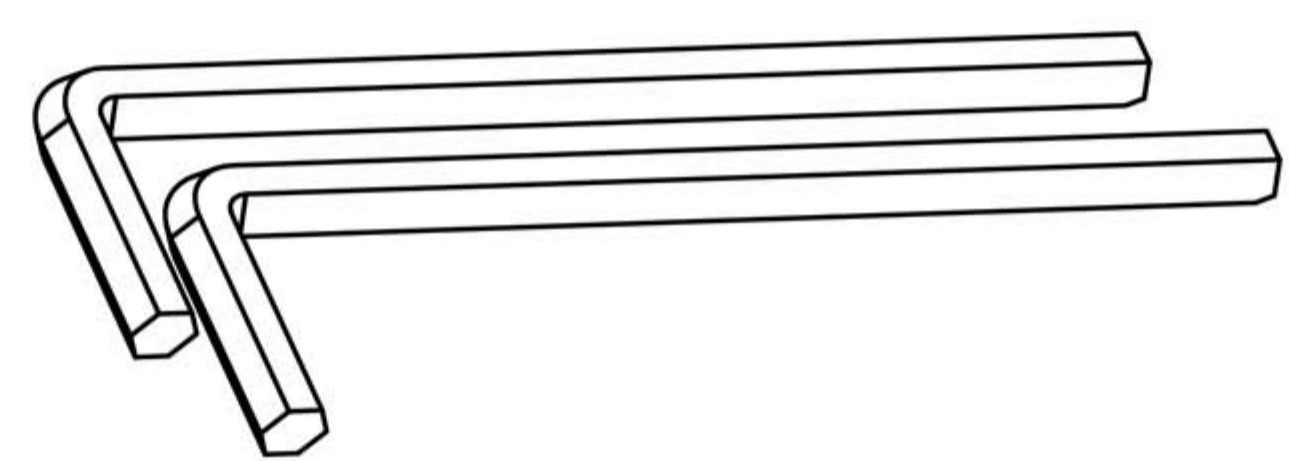
Item no.	Reference Image	Qty.
B		2
B1		2
C		2
C1		2
F		4
F1		4

Please take care of the screws and contact the after-sales service if there is any problem with the installation or parts.

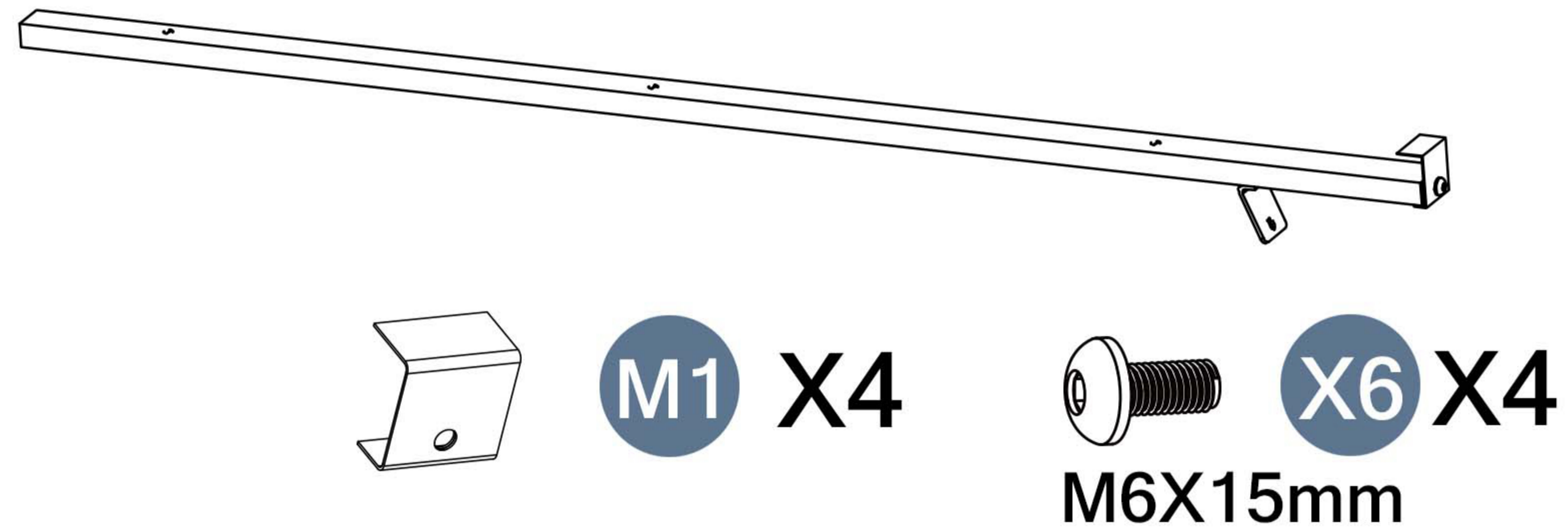
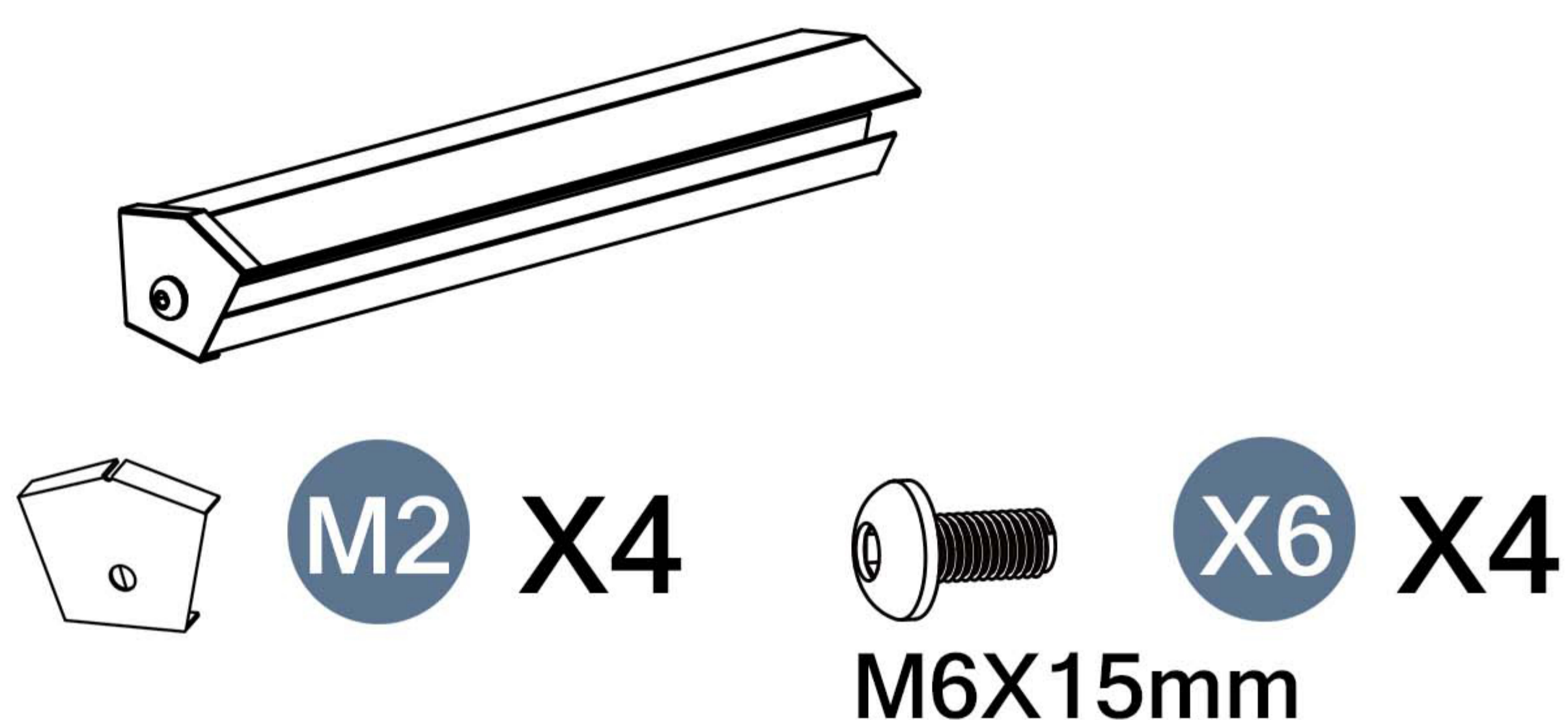


E-mail: cs.helper01@gmail.com

ACCESSORY CATALOGUE

Item no.	Reference Image	Qty.
X1	 M8X20mm	20
X2	 M8X45mm	16
X3	 M8X35mm	32
1		1


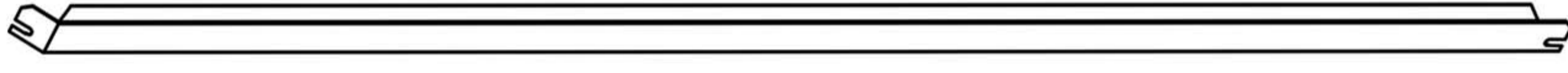
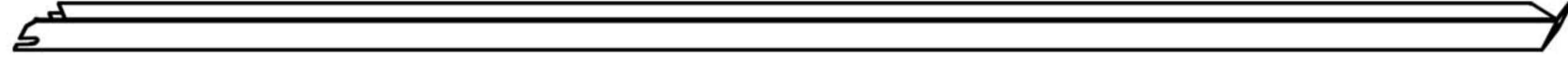
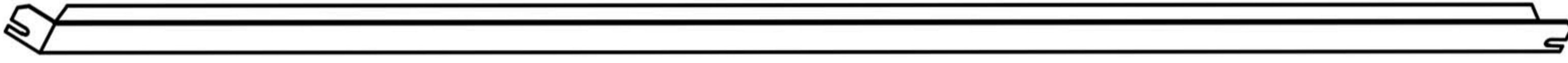
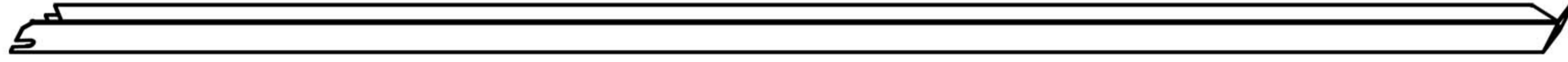
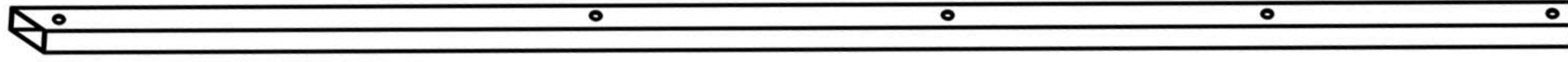
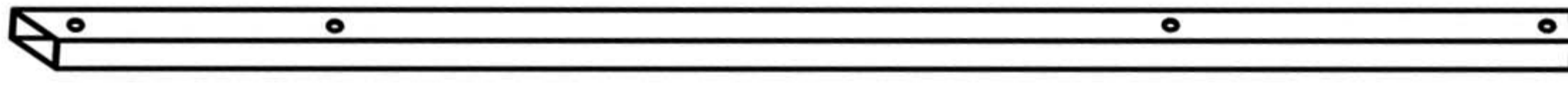
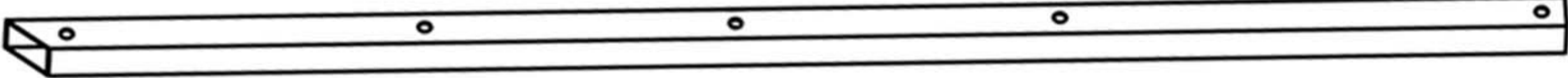
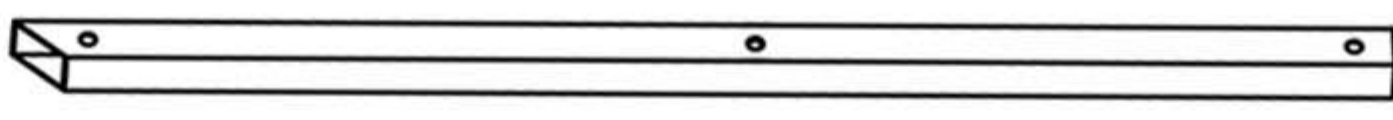
BOX 3 SKU: C001G046V2WF-3

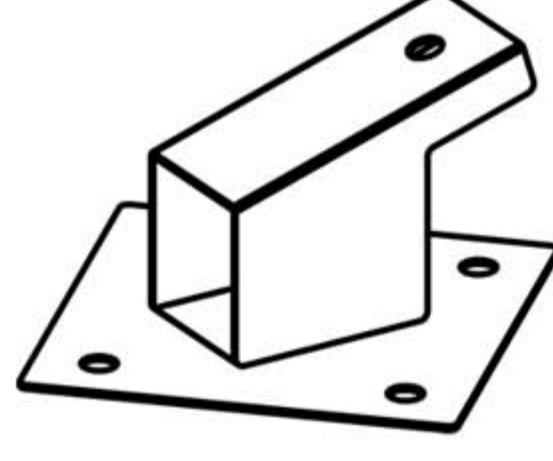
Item no.	Reference Image	Qty.
D	 M1 X4 X6 X4 M6X15mm	4
E1	 M2 X4 X6 X4 M6X15mm	4

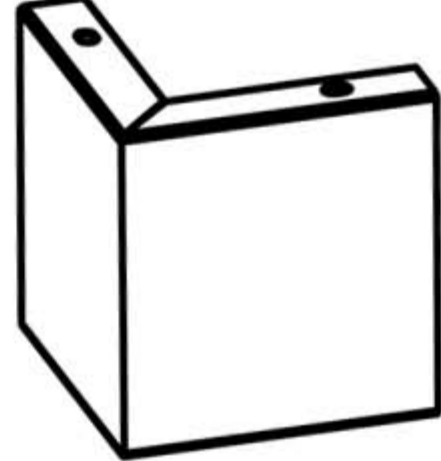
Please take care of the screws and contact the after-sales service if there is any problem with the installation or parts.

➔ ✉ E-mail: cs.helper01@gmail.com

ACCESSORY CATALOGUE

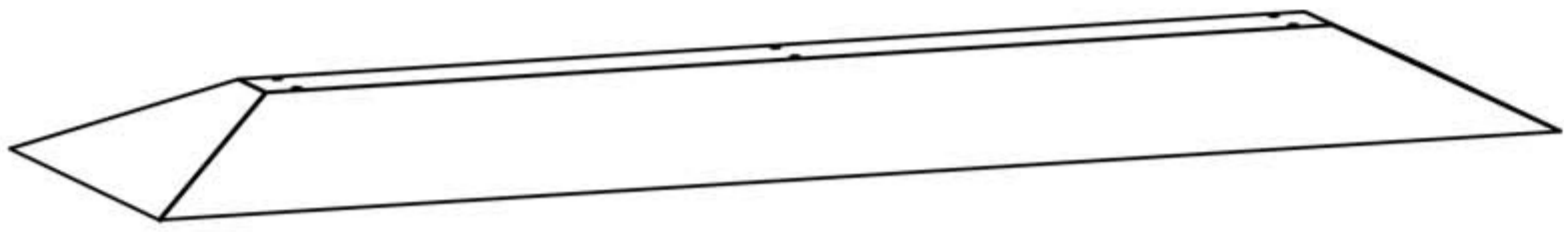

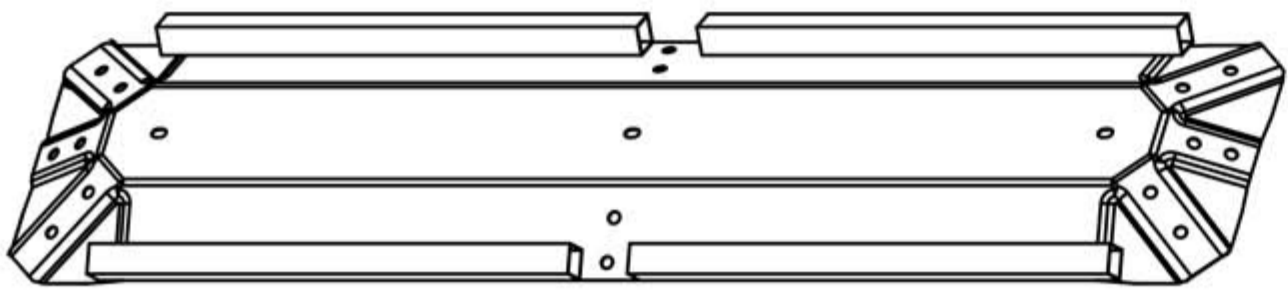
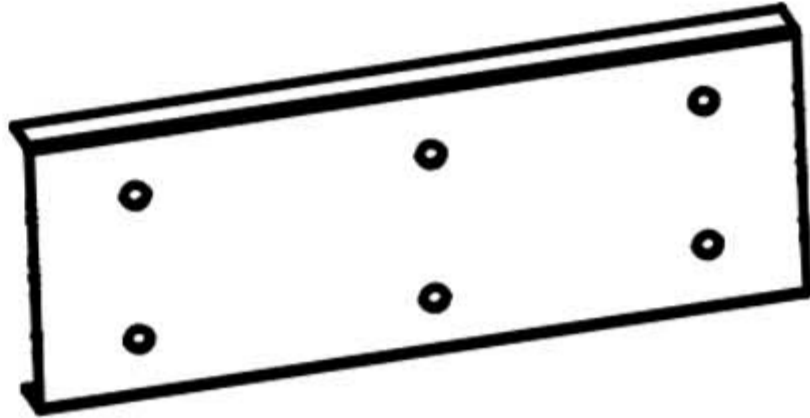
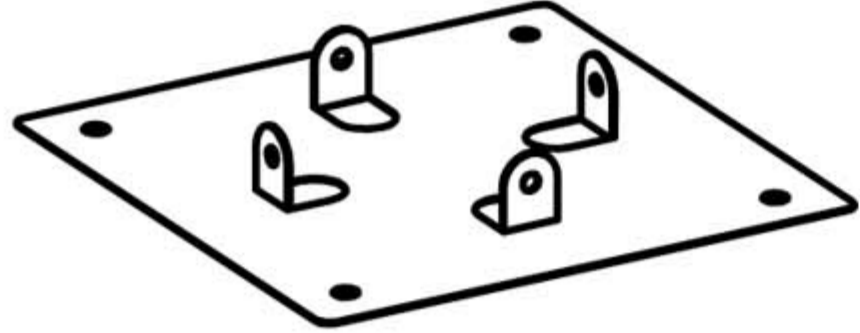
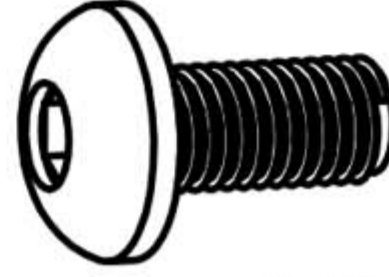
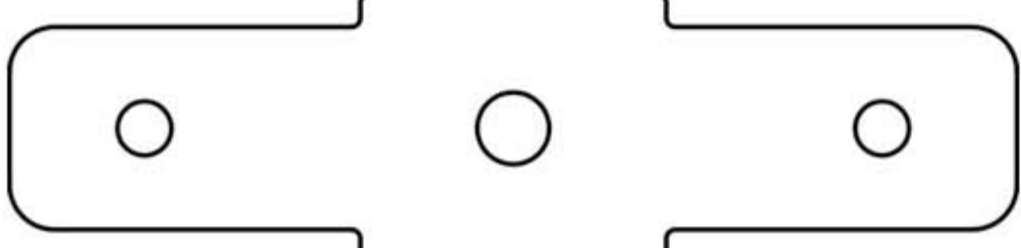

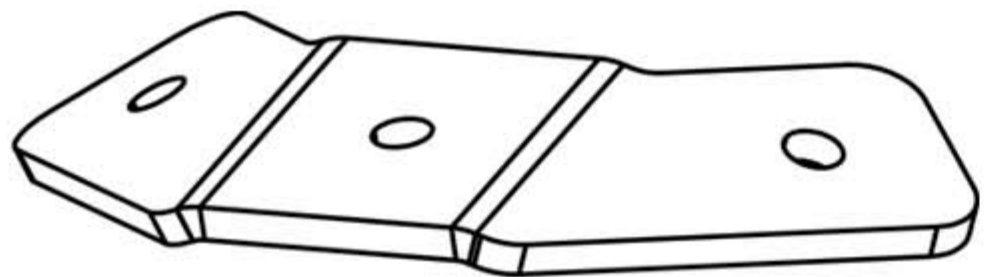
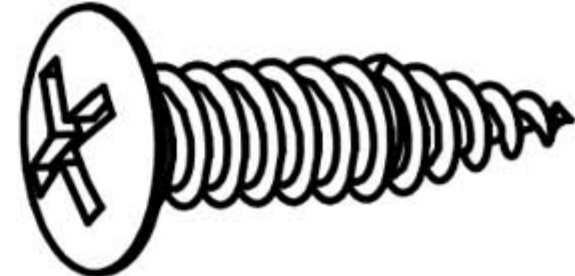
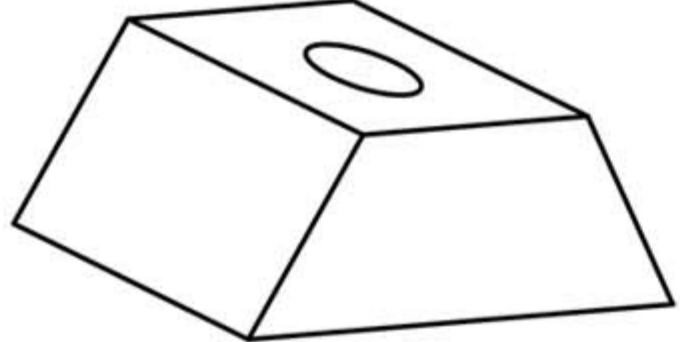
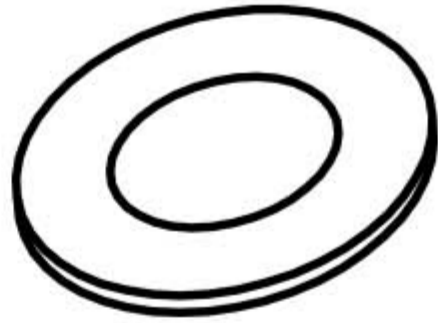
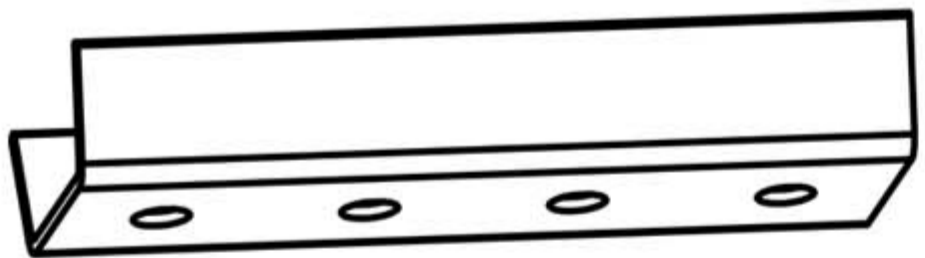

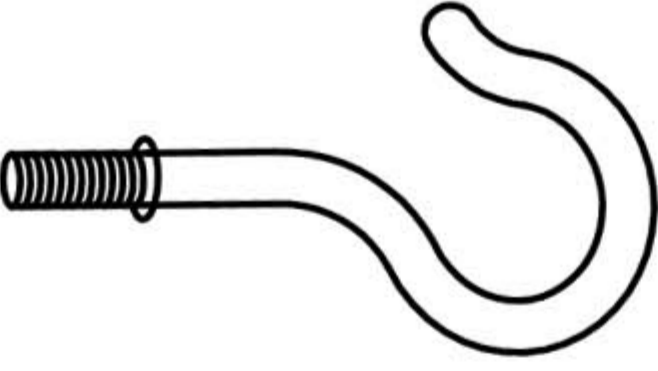
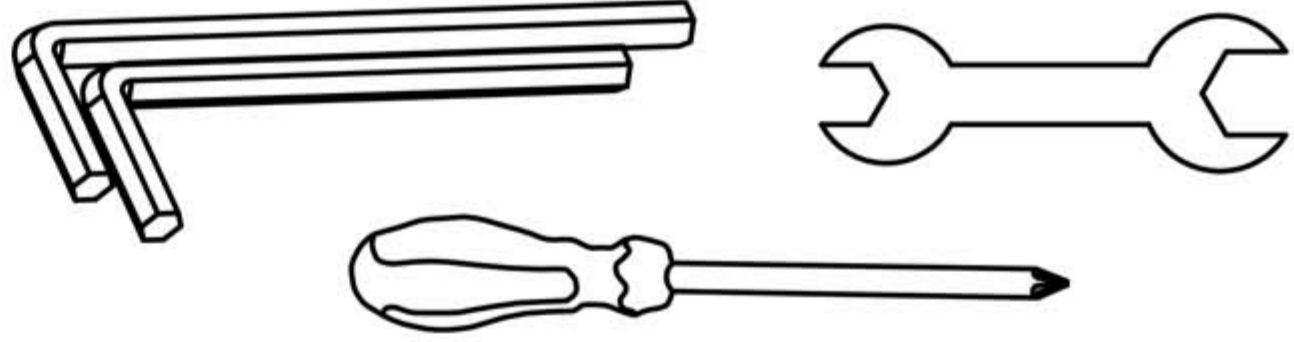
Item no.	Reference Image	Qty.
E		4
G1		2
G2		2
G3		2
G4		2
H		4
H1		4
H2		4
H3		4

Item no.	Reference Image	Qty.
I1		4

Item no.	Reference Image	Qty.
J1		4

Please take care of the screws and contact the after-sales service if there is any problem with the installation or parts.

ACCESSORY CATALOGUE

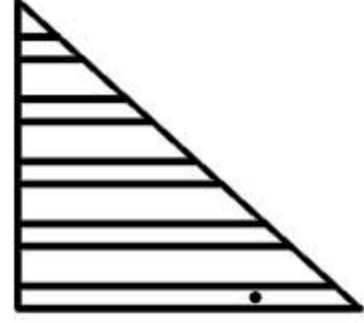
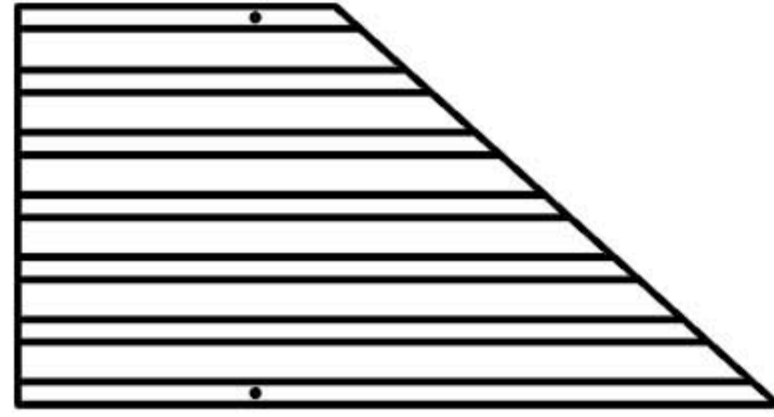
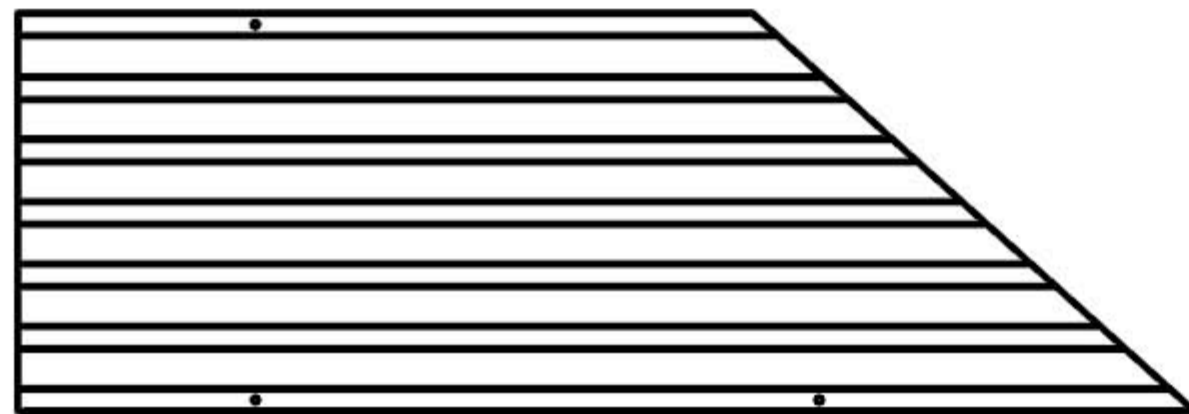
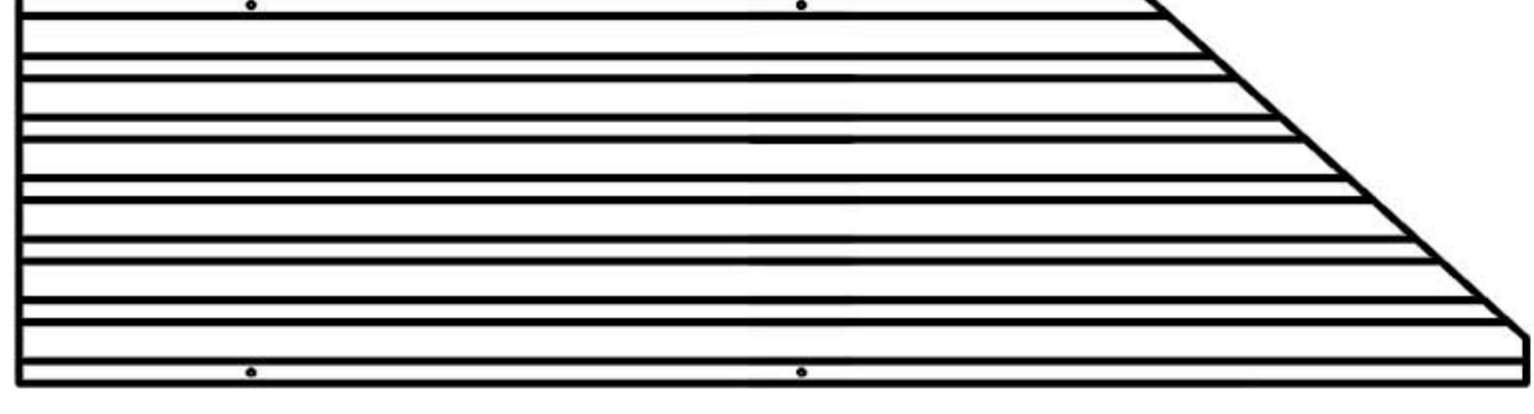

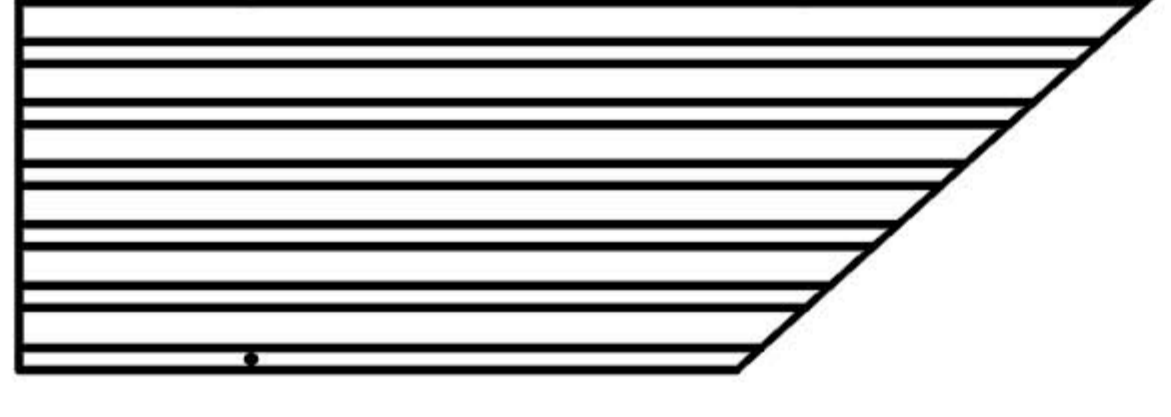
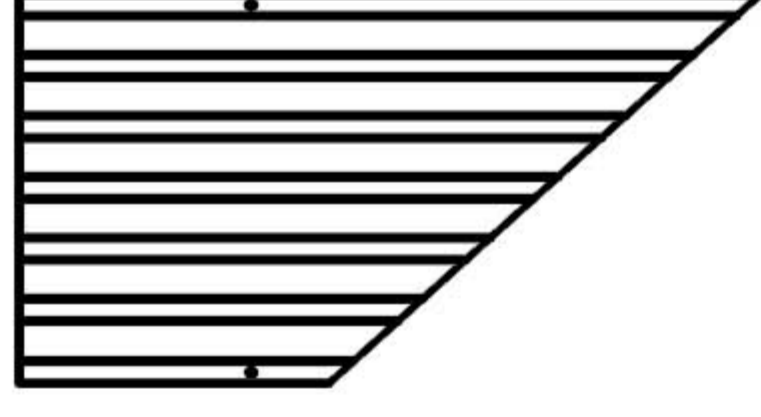
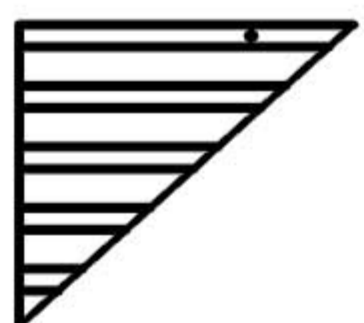
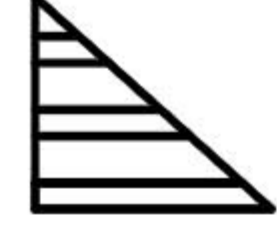
Item no.	Reference Image	Qty.	Item no.	Reference Image	Qty.
K		1	M8		4
K1		1	T		4
L		4	X6	 M6X15mm	93
M3		8	X7	 M6X42mm	48
M4		8	X9	 M5X15mm	32
M5		44	W		16
M6		4	2		8
M7		2	3		1

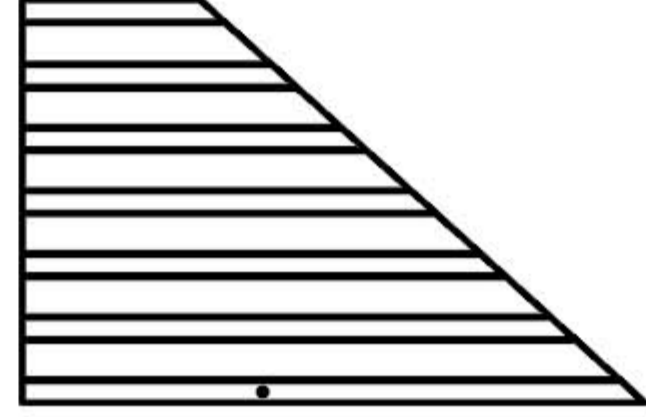
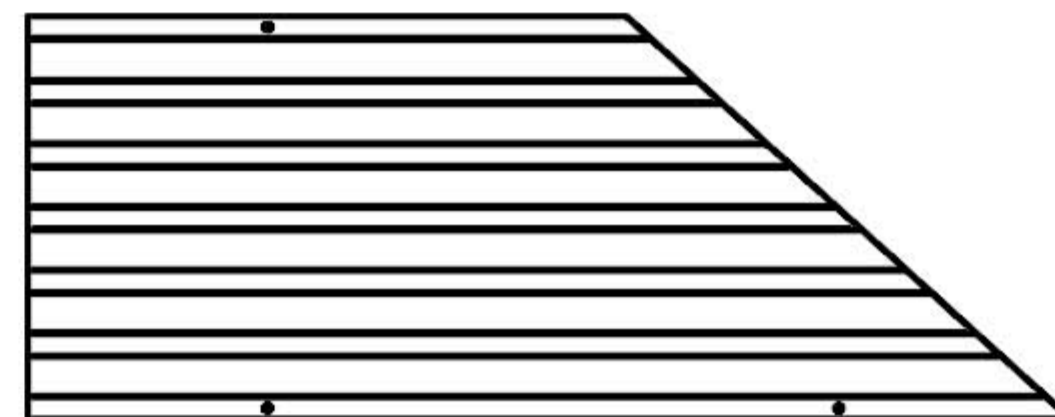
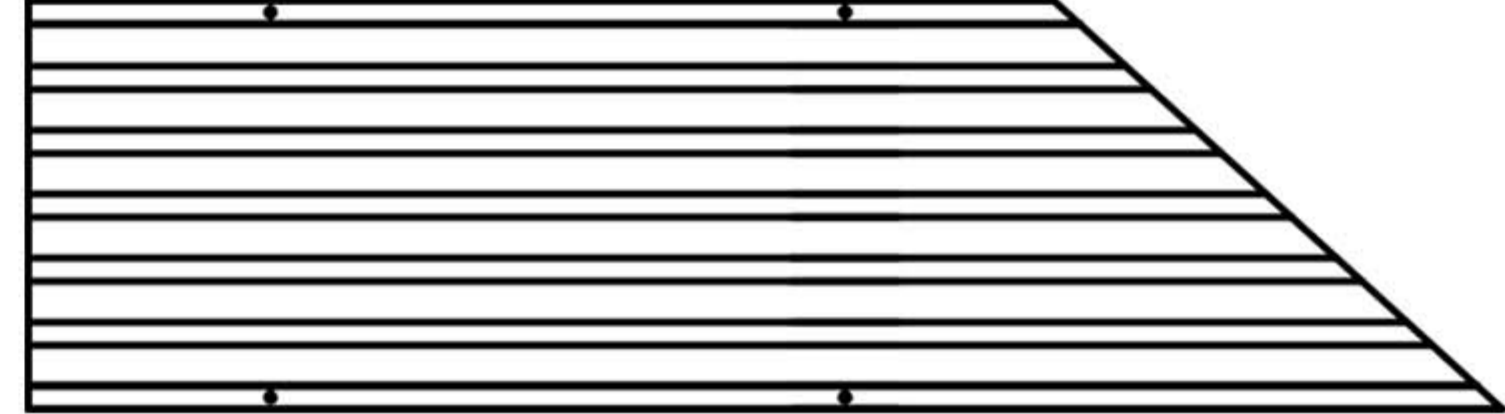
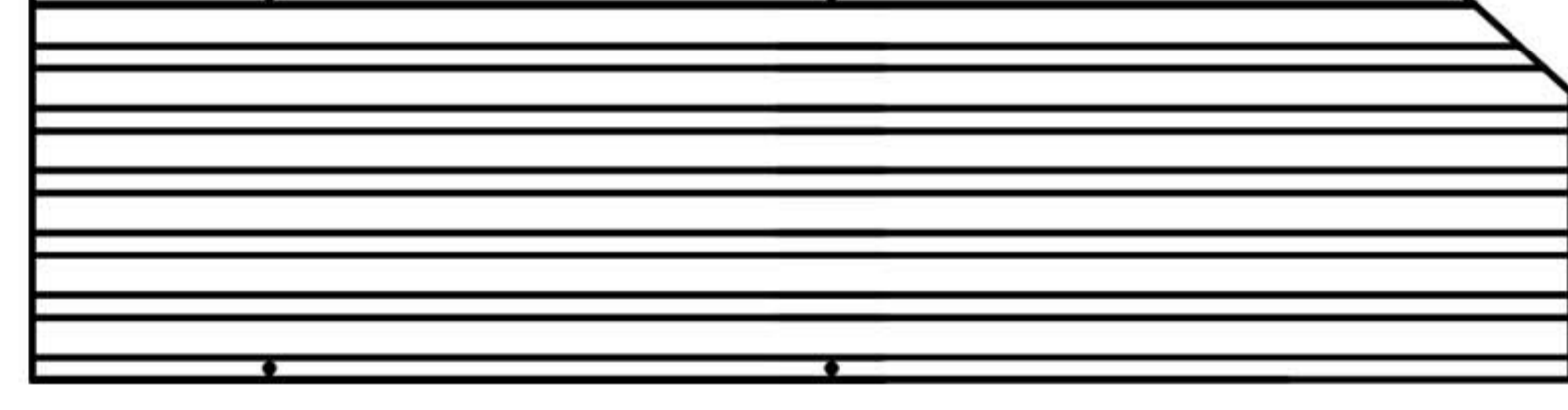
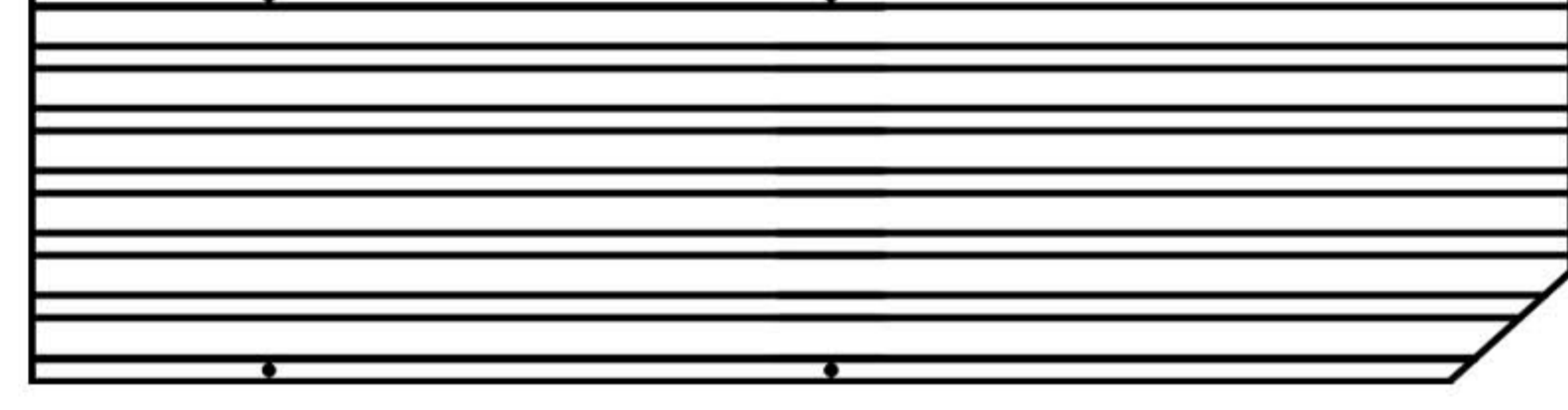
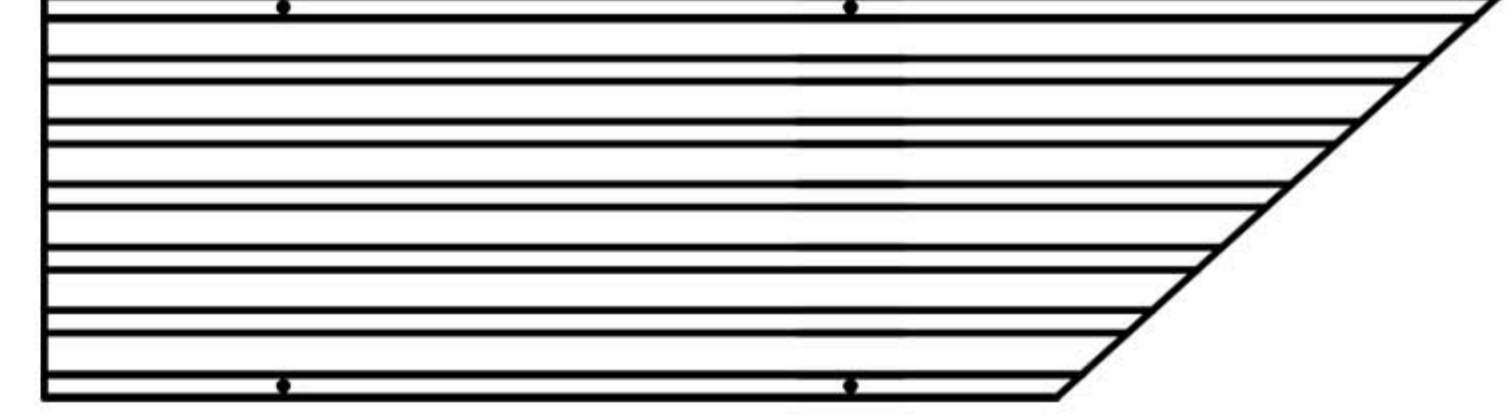
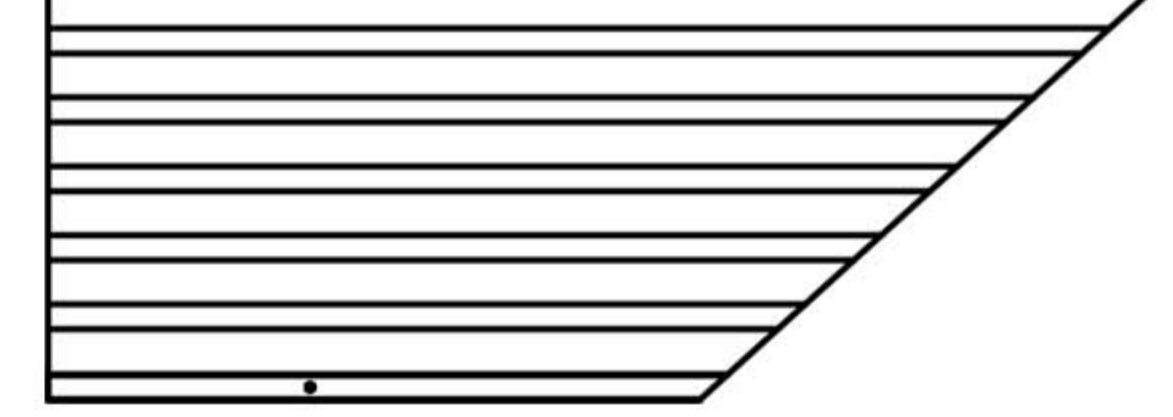
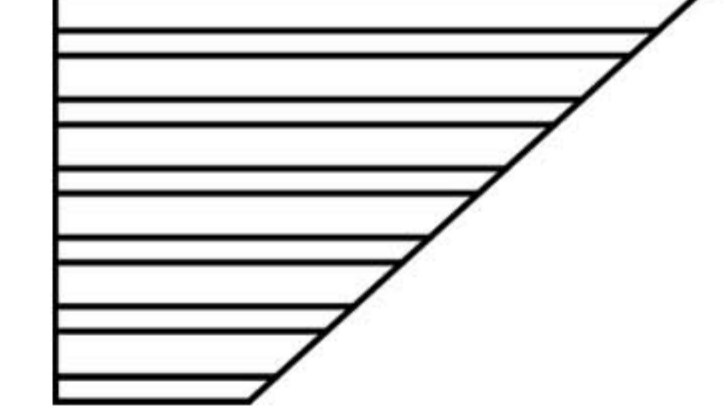

Please take care of the screws and contact the after-sales service if there is any problem with the installation or parts.

➔ ✉ E-mail: cs.helper01@gmail.com

ACCESSORY CATALOGUE

BOX 4 SKU: C001G046V2WF-4

Item no.	Reference Image	Qty.
O1		2
O2		2
O3		2
O4		2
V4		2
V3		2
V2		2
V1		2
N1		2

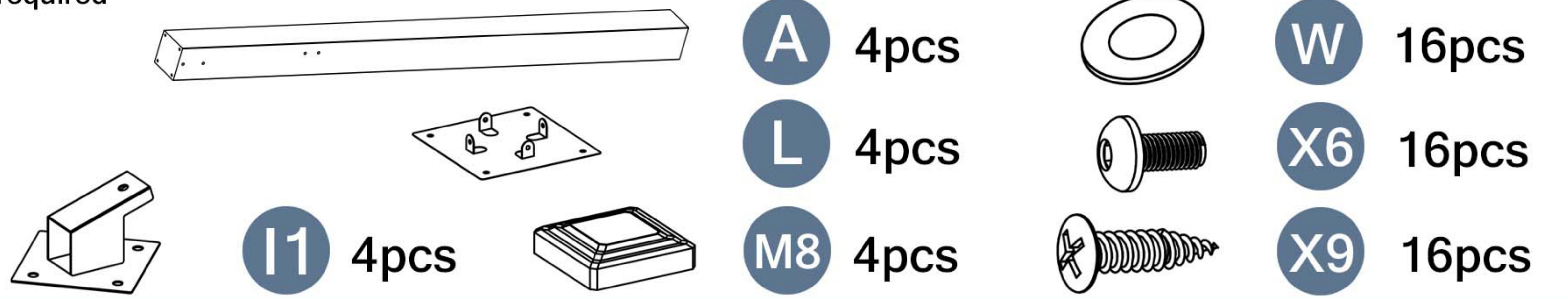
Item no.	Reference Image	Qty.
N2		2
N3		2
N4		2
N5		2
Y5		2
Y4		2
Y3		2
Y2		2
Y1		2

Please take care of the screws and contact the after-sales service if there is any problem with the installation or parts.

→ ✉ E-mail: cs.helper01@gmail.com

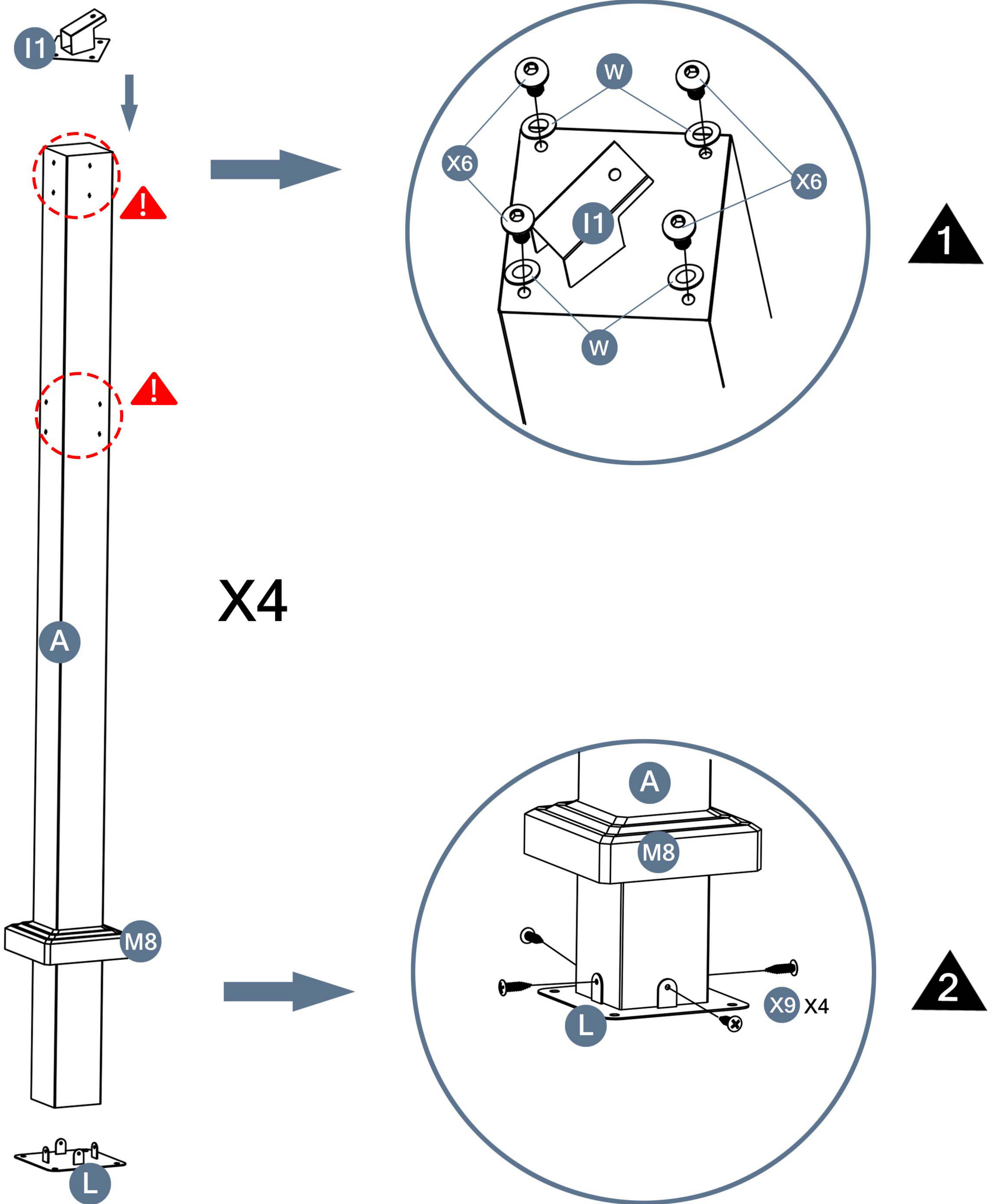
STEP 1

Parts required



1 → 2

⚠ Please note the orientation of the hole.



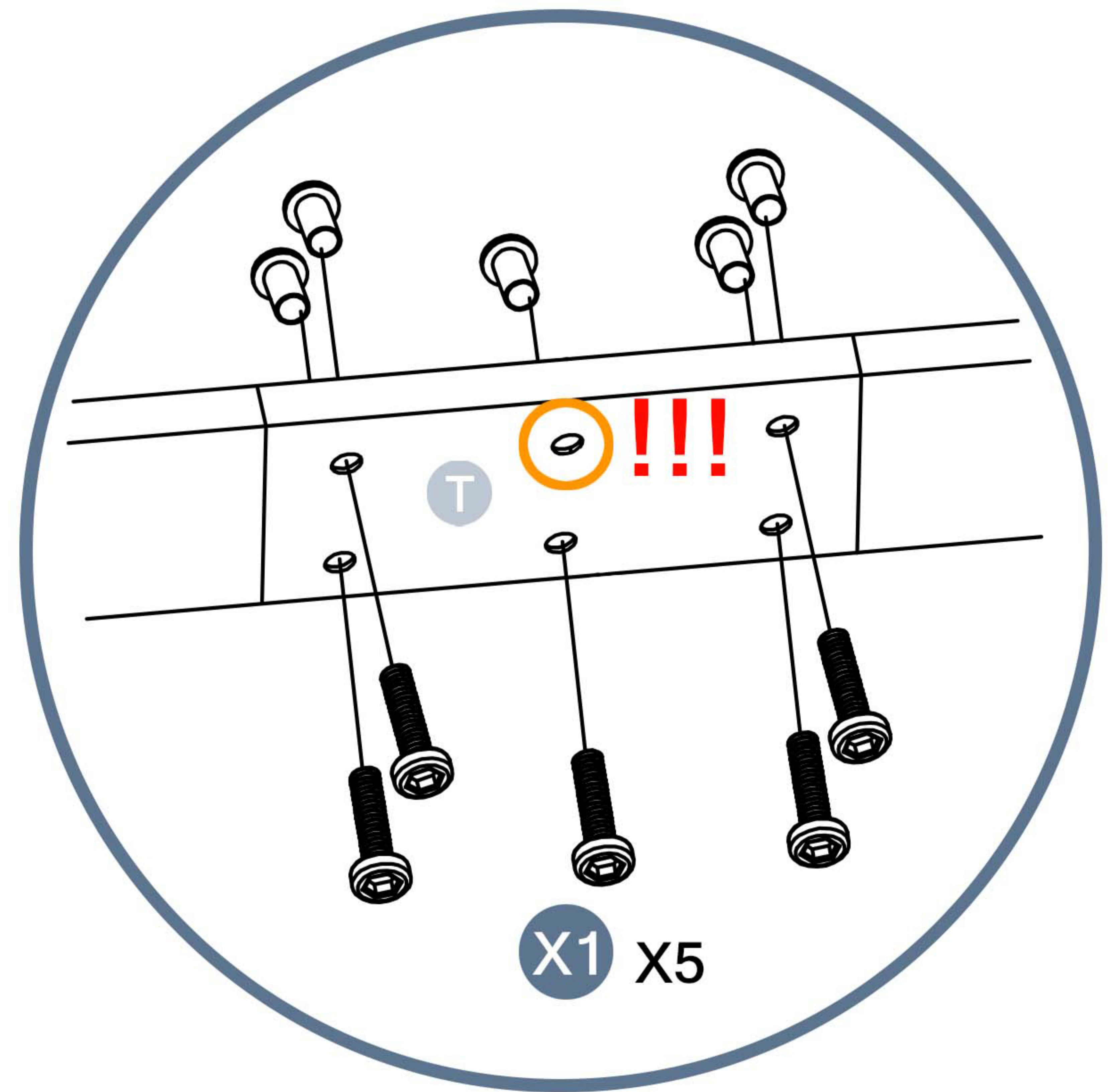
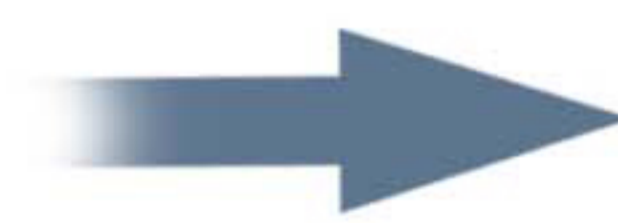
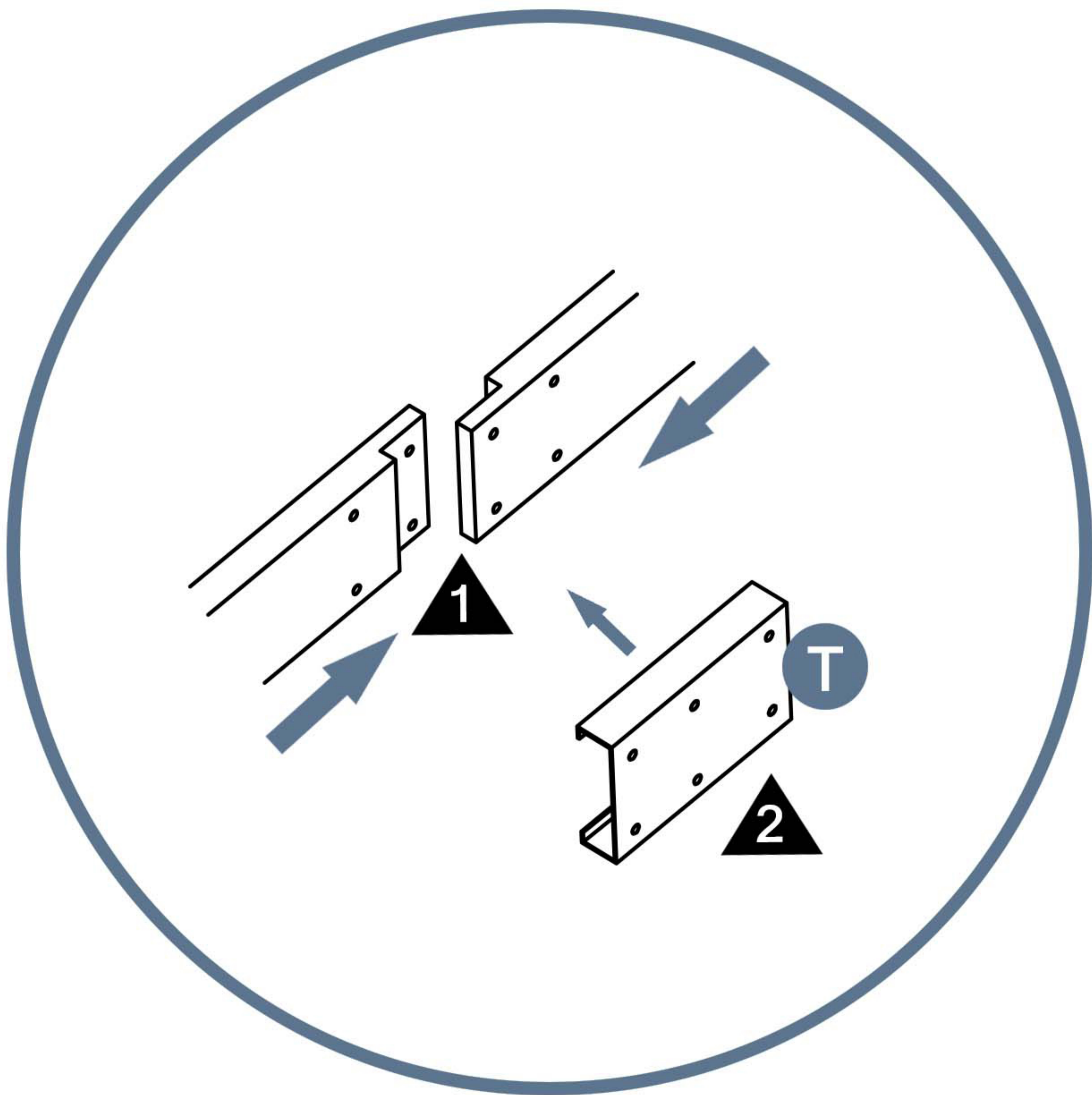
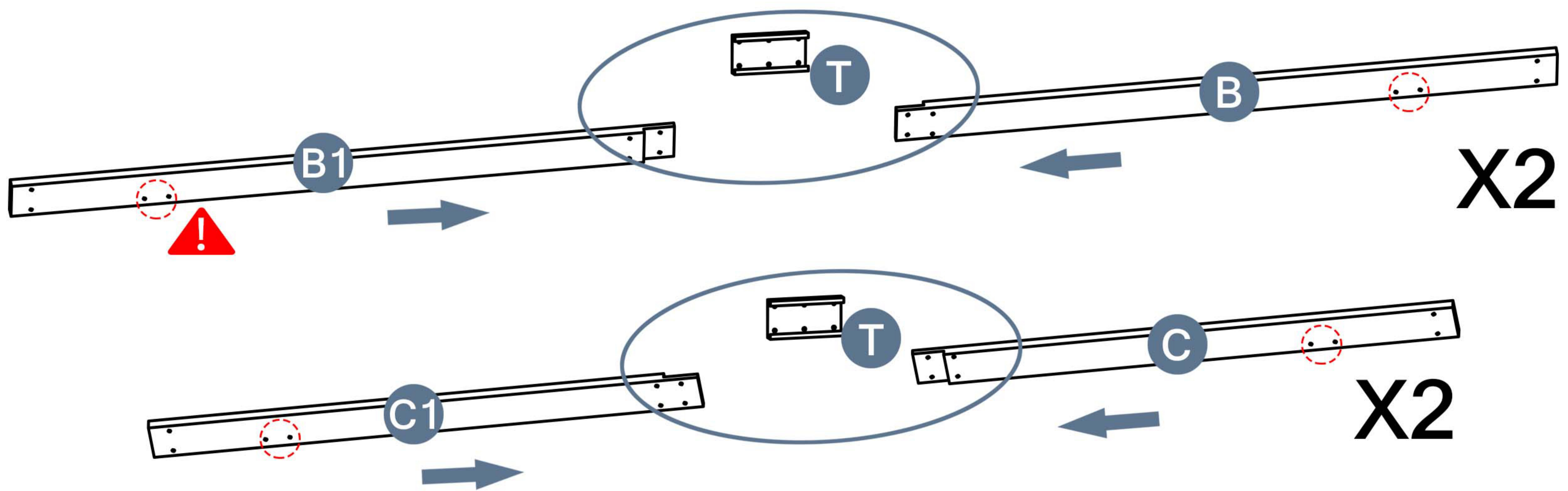
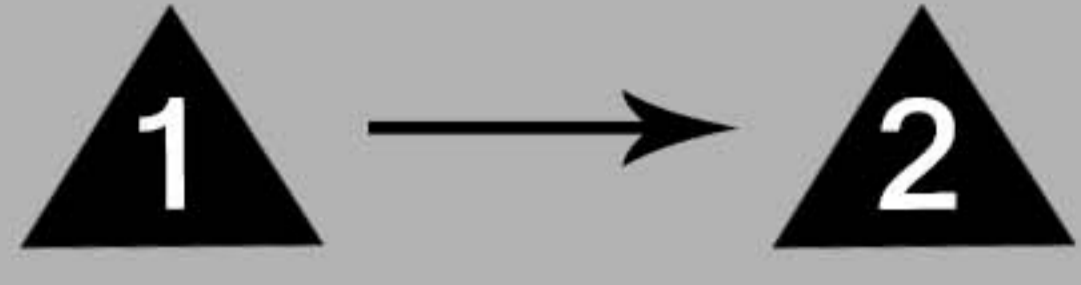
Please take care of the screws and contact the after-sales service if there is any problem with the installation or parts.

➔ ✉ E-mail: cs.helper01@gmail.com

STEP 2

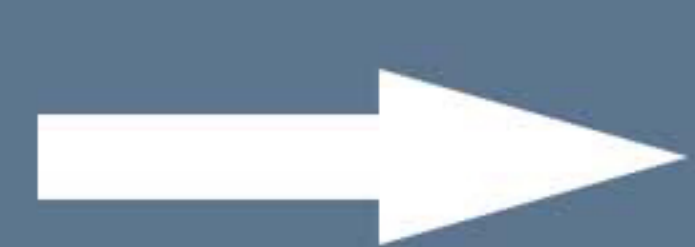
Parts required

	T 4pcs		X1 20pcs
	B 2pcs		C 2pcs
	B1 2pcs		C1 2pcs



!!! Be careful not to screw the screws at the yellow circle. Step 5 is screwing.

Please take care of the screws and contact the after-sales service if there is any problem with the installation or parts.

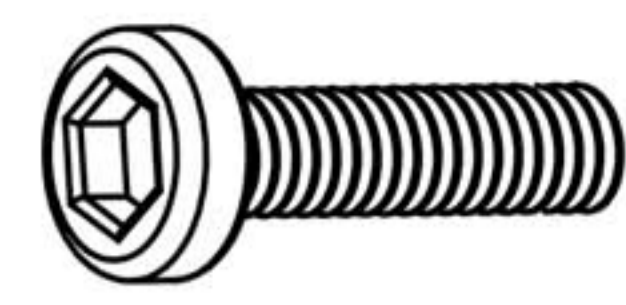


STEP 3

Parts required



J1 4pcs



X2 16pcs

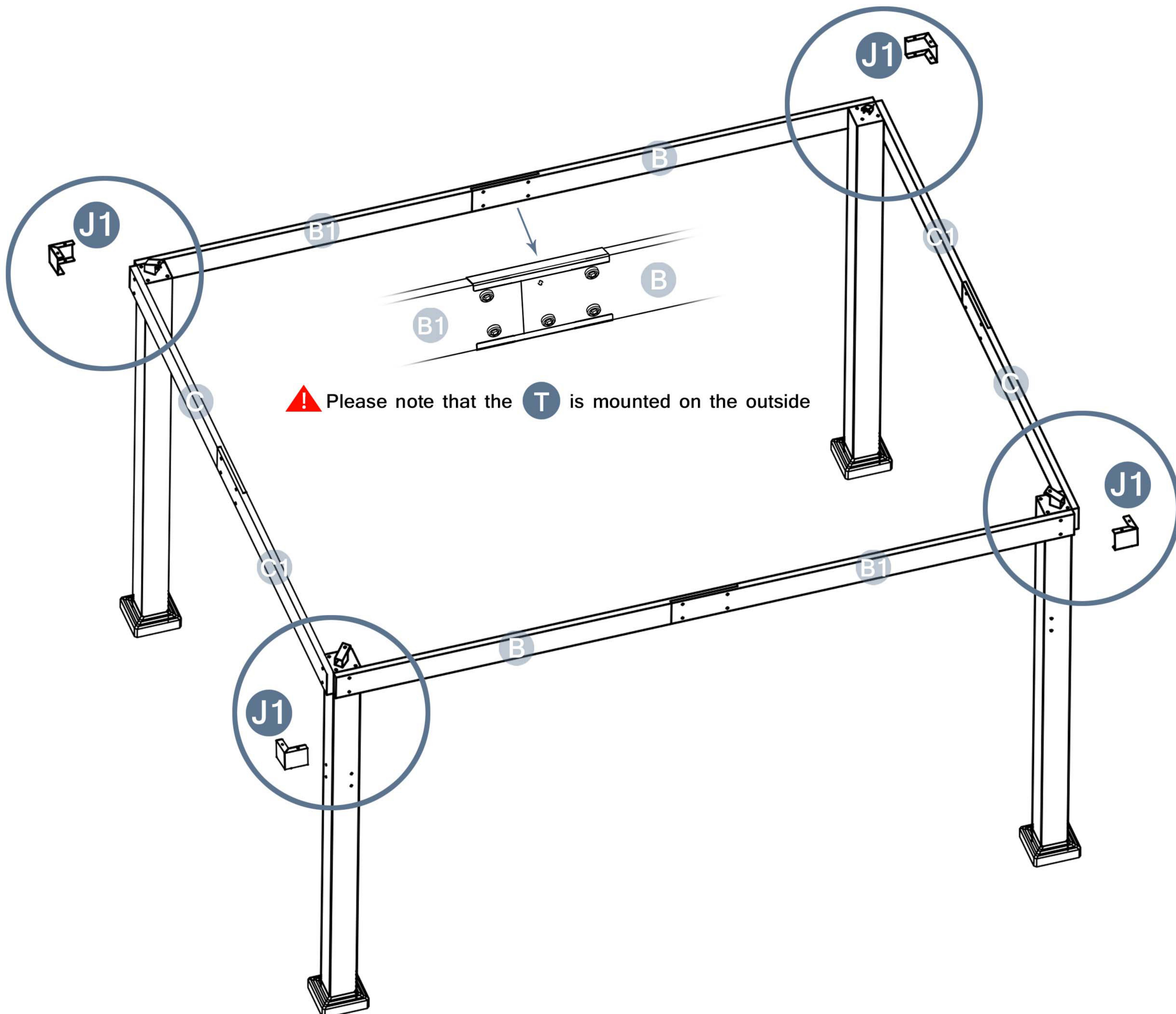
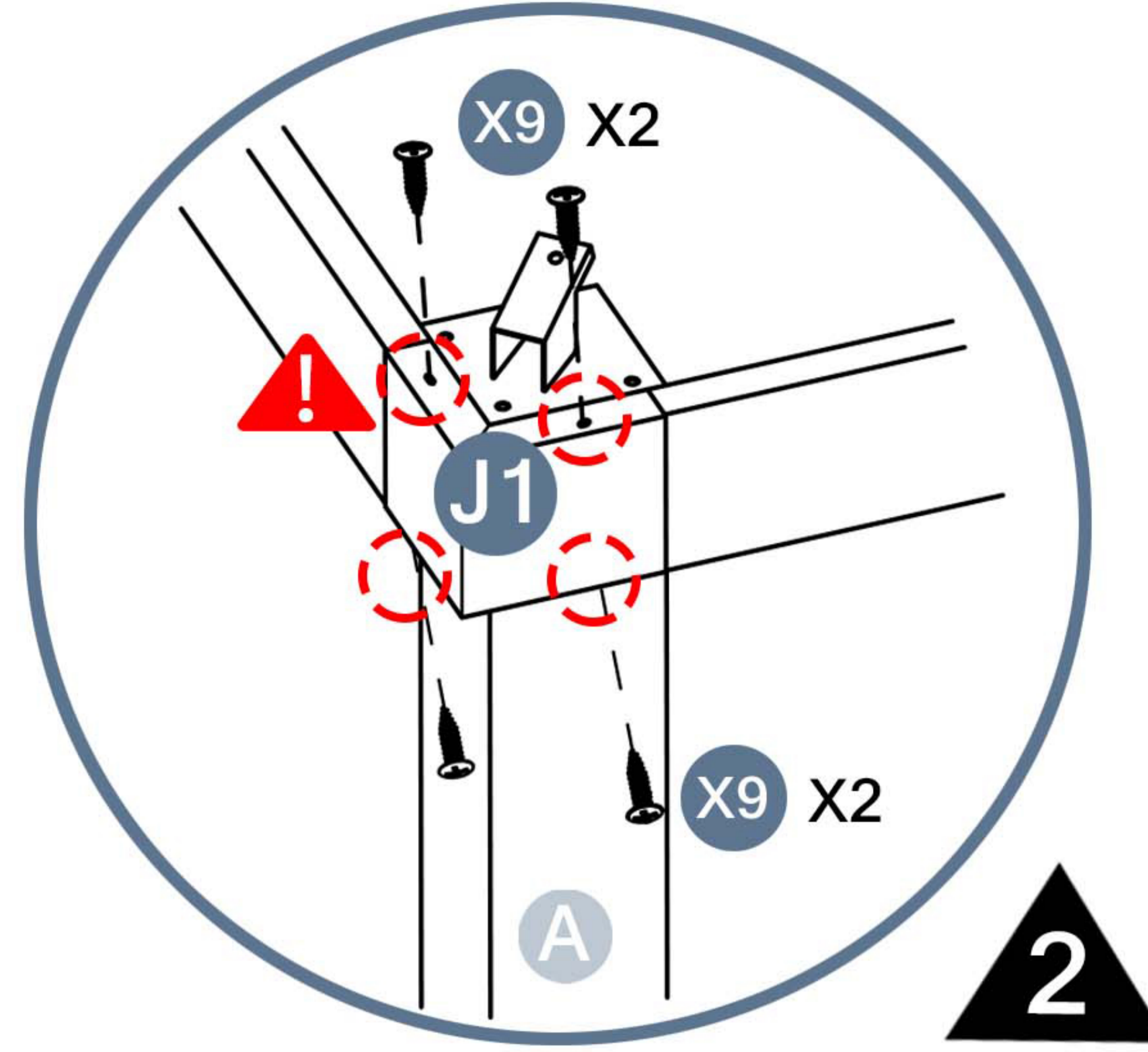
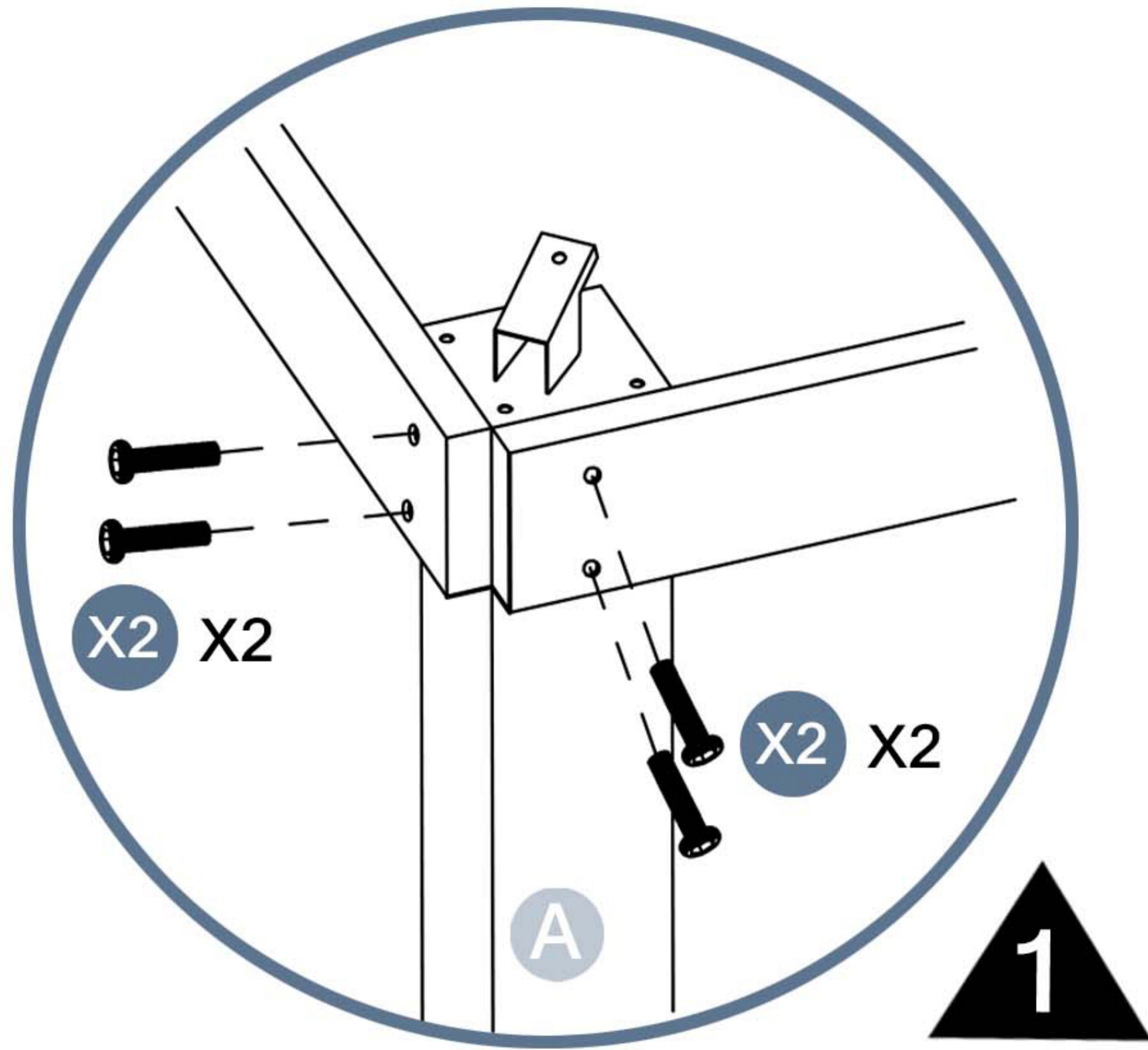


X9 16pcs

1 → 2



Please Note that the X9 circled in red is a self-tapping nail without hole, it can be directly tightened.



Please take care of the screws and contact the after-sales service if there is any problem with the installation or parts.



E-mail: cs.helper01@gmail.com

STEP 4

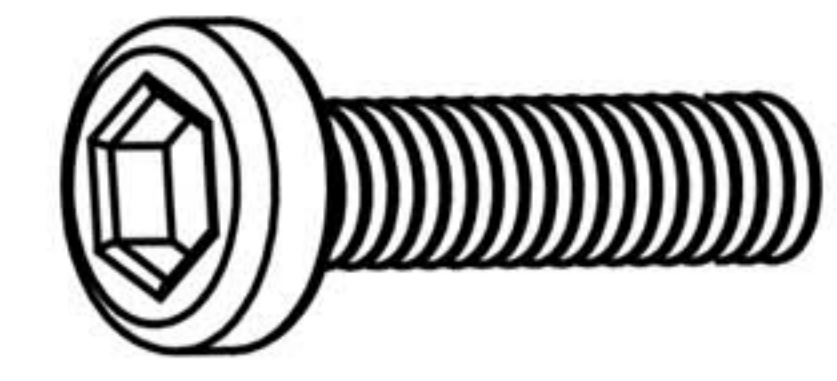
Parts required



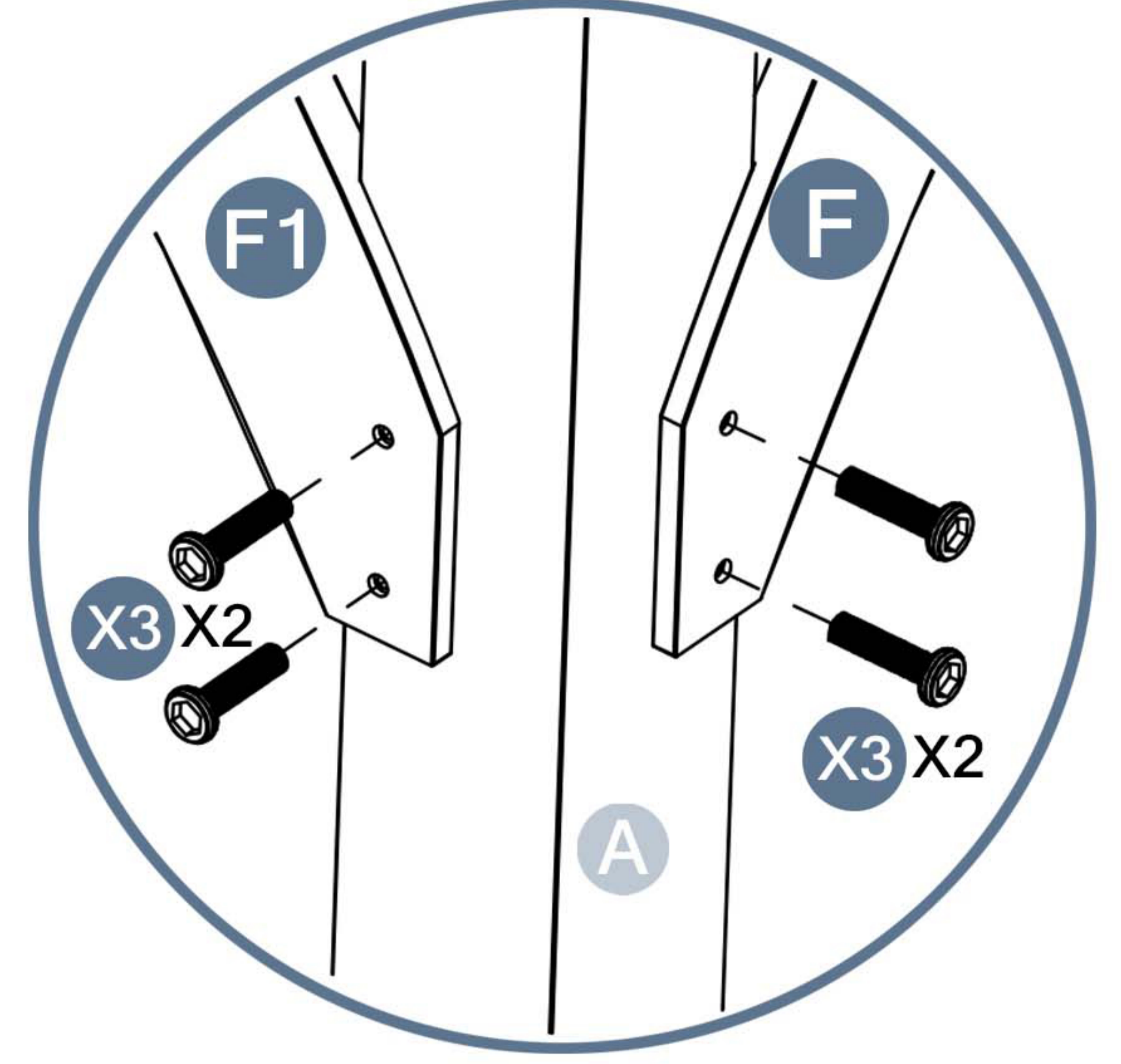
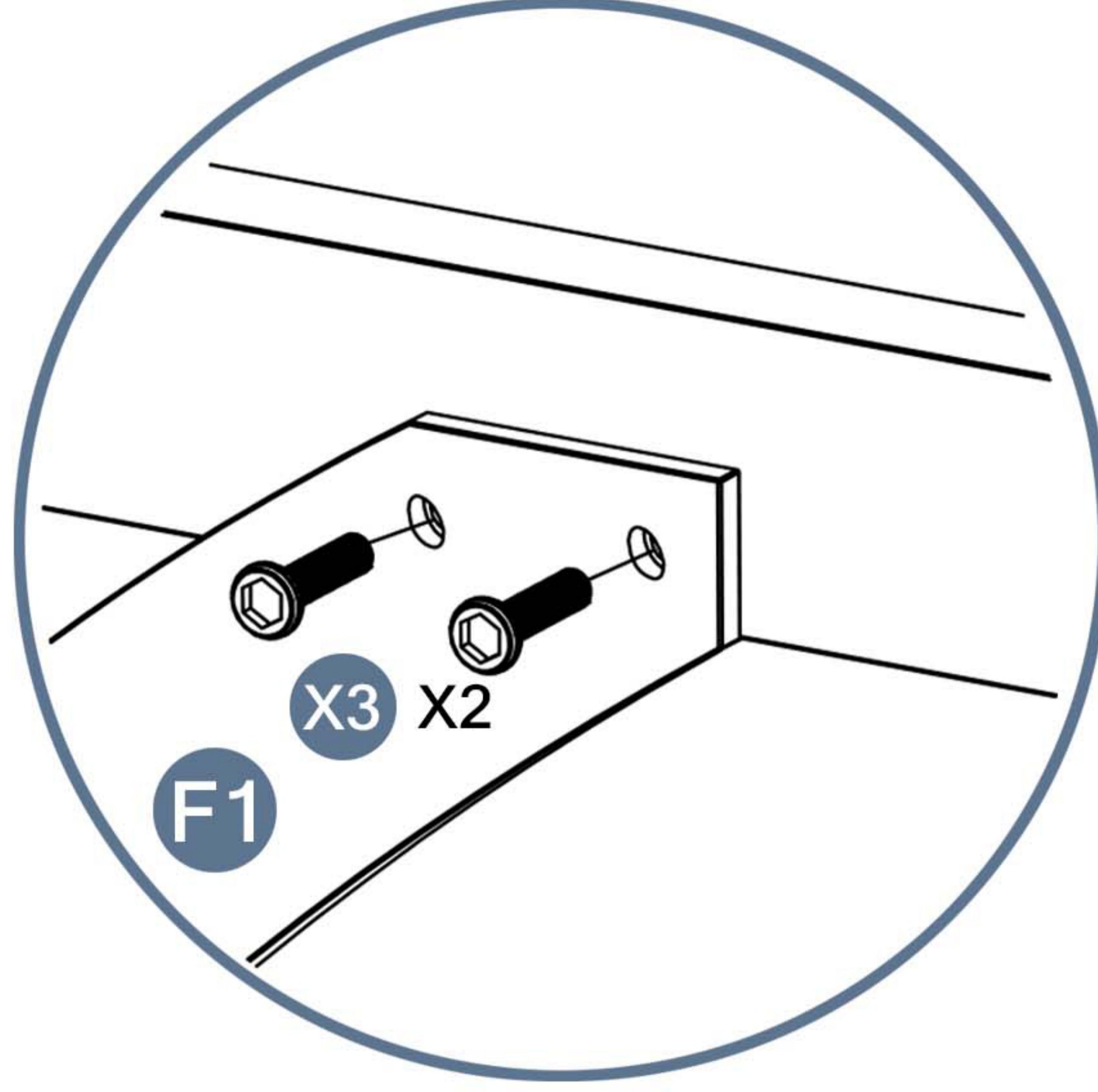
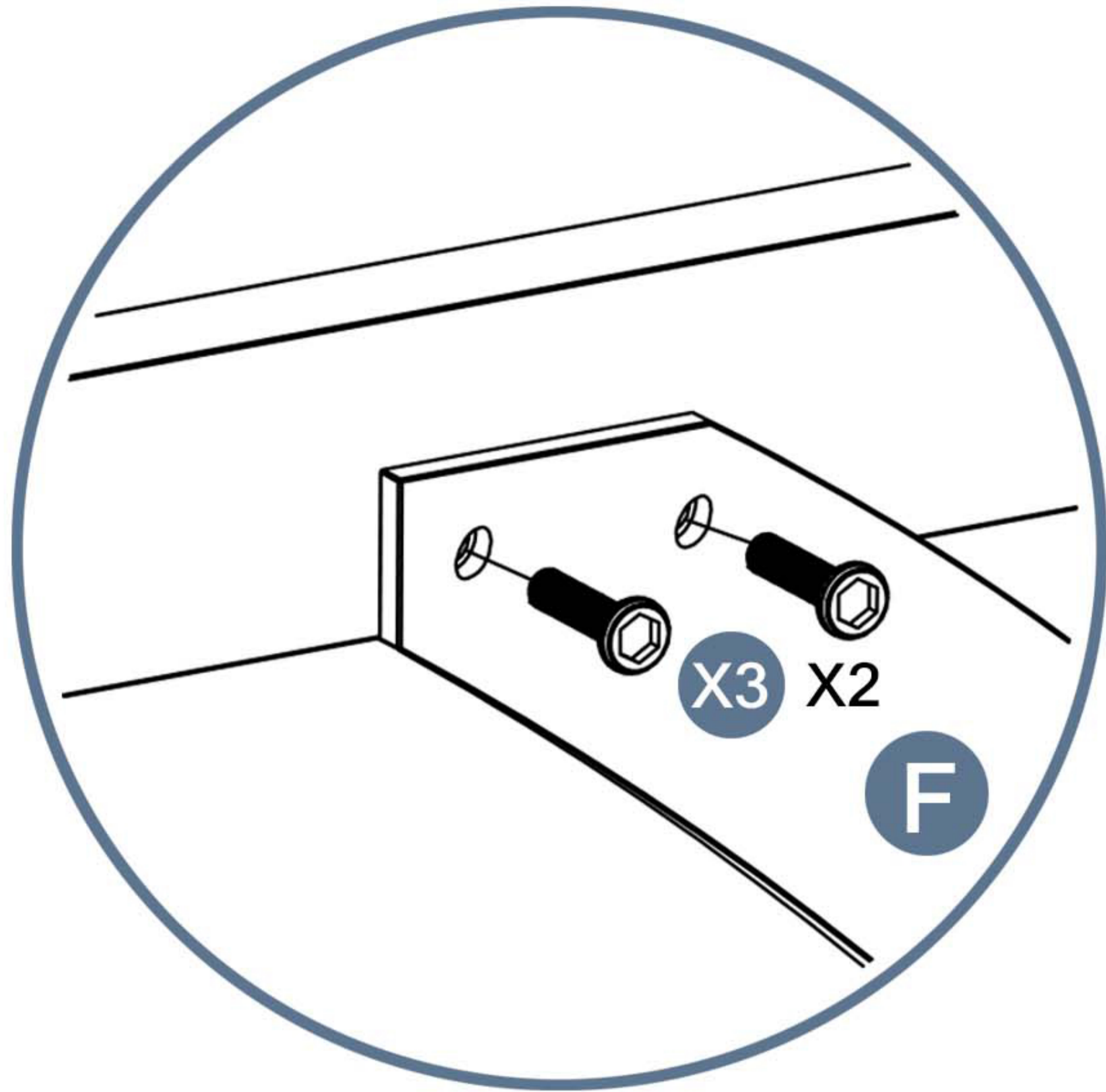
F 4pcs



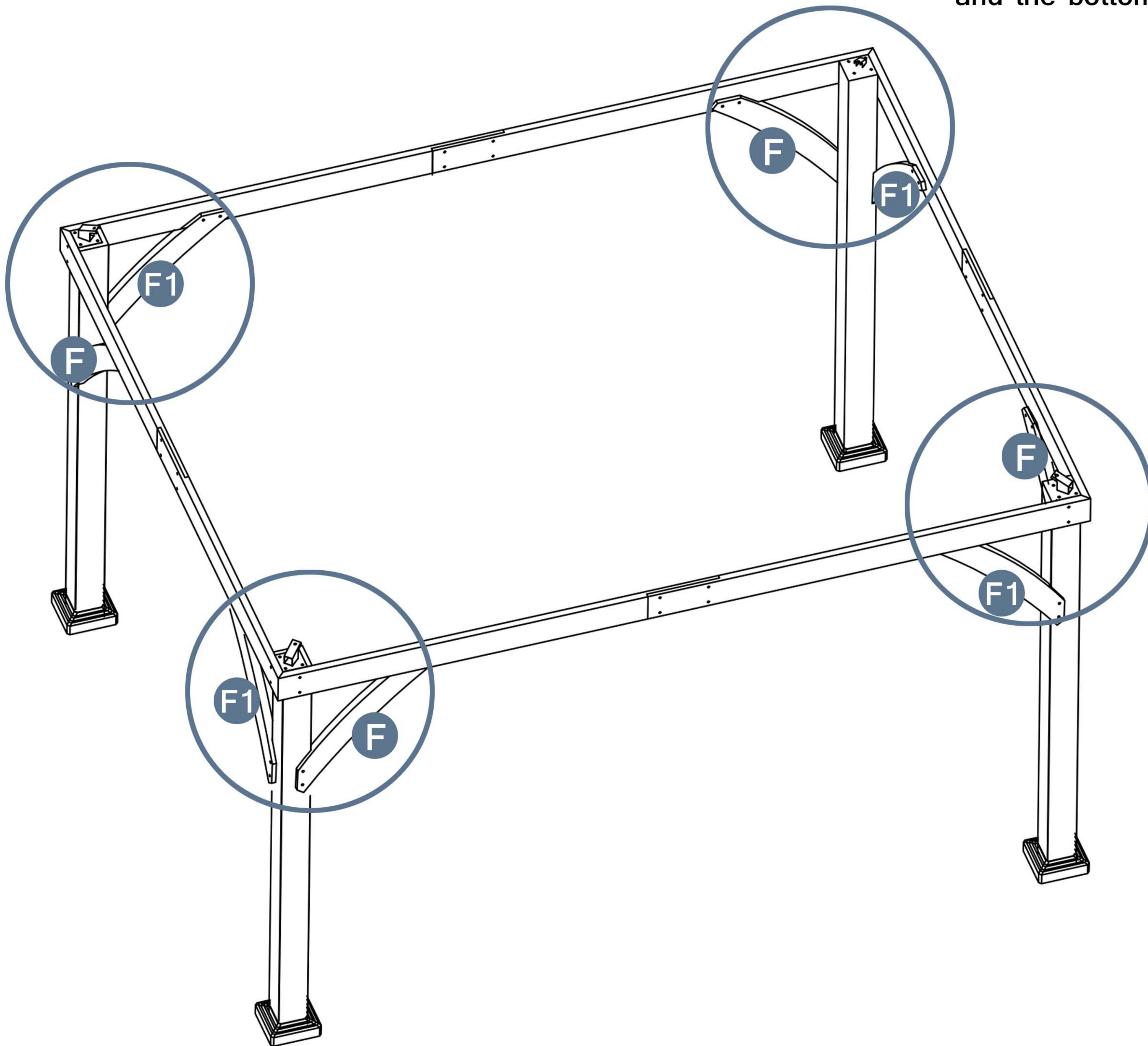
F1 4pcs



X3 32pcs



!!! When installing F and F1, please note that the top is on the inside and the bottom is on the outside.



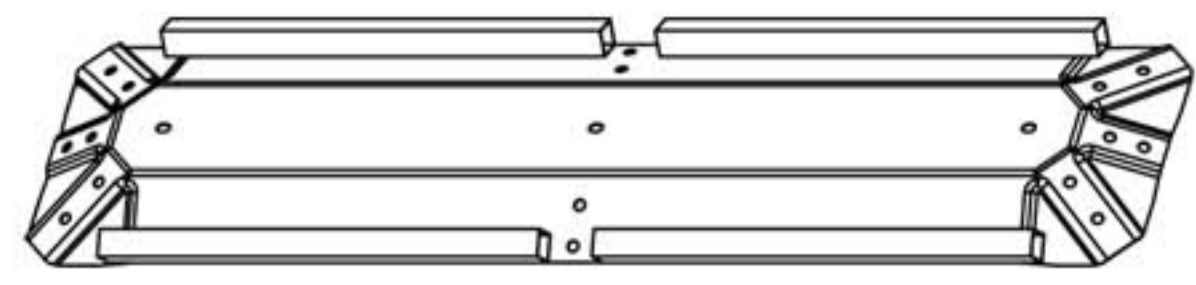
Please take care of the screws and contact the after-sales service if there is any problem with the installation or parts.



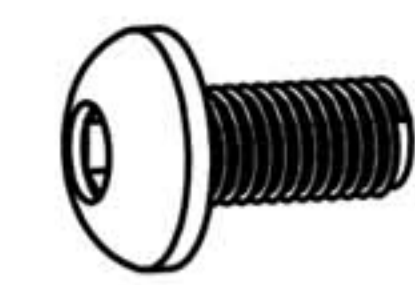
E-mail: cs.helper01@gmail.com

STEP 5

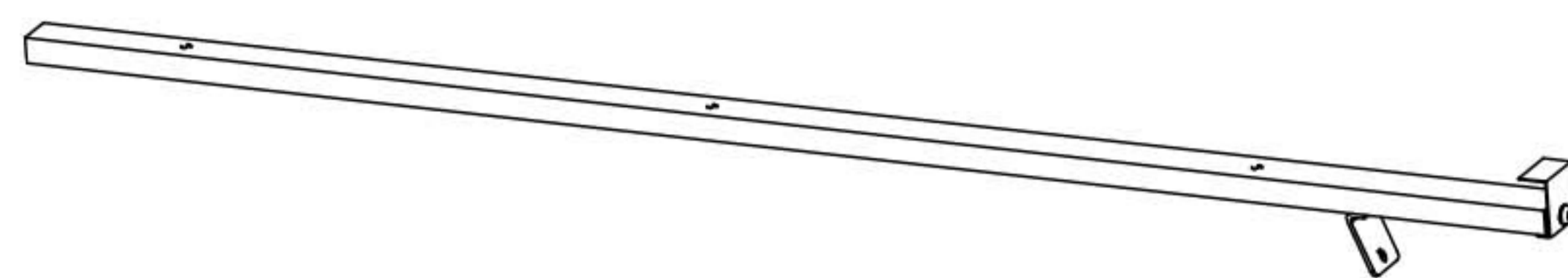
Parts required



K1 1pc



X6 8pcs

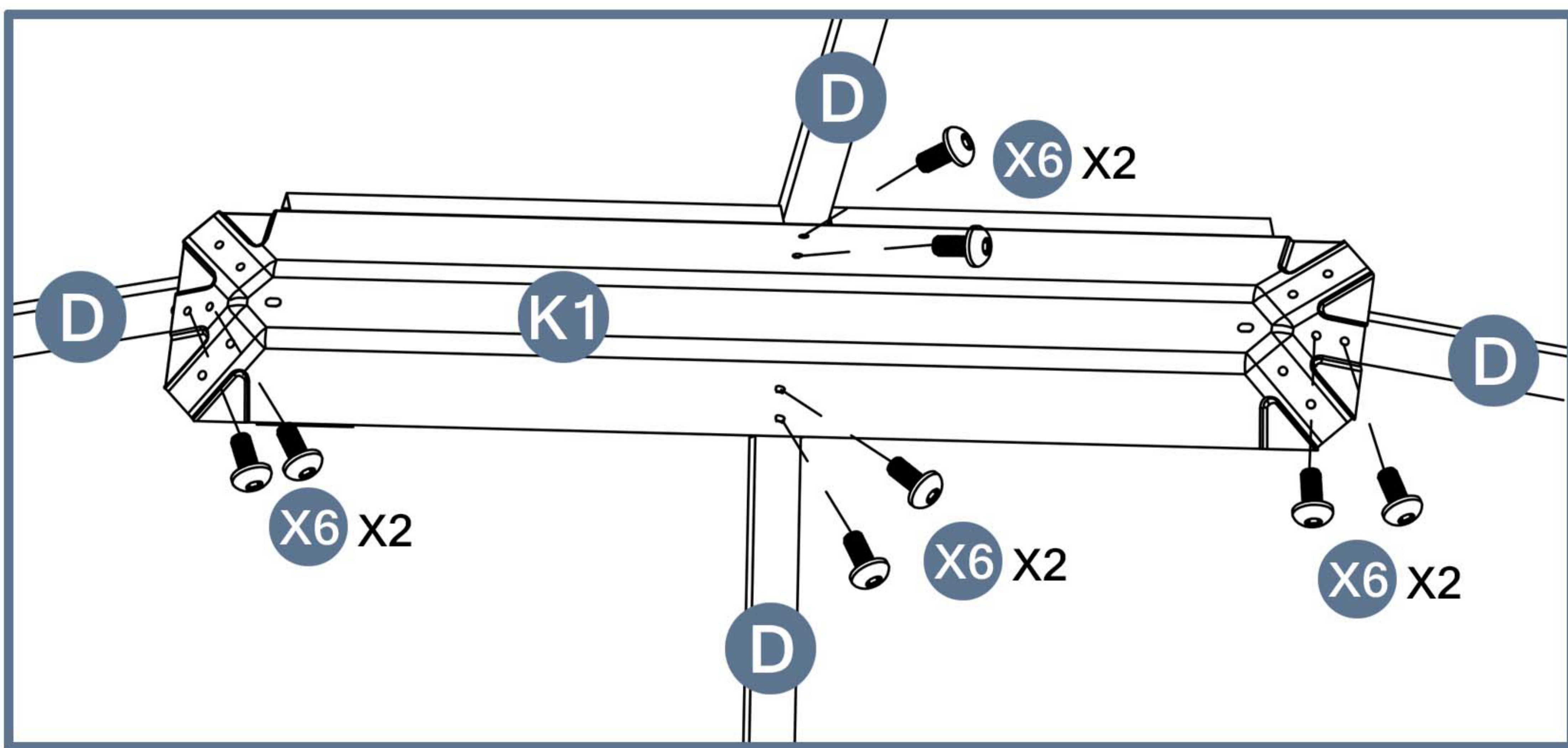


D 4pcs

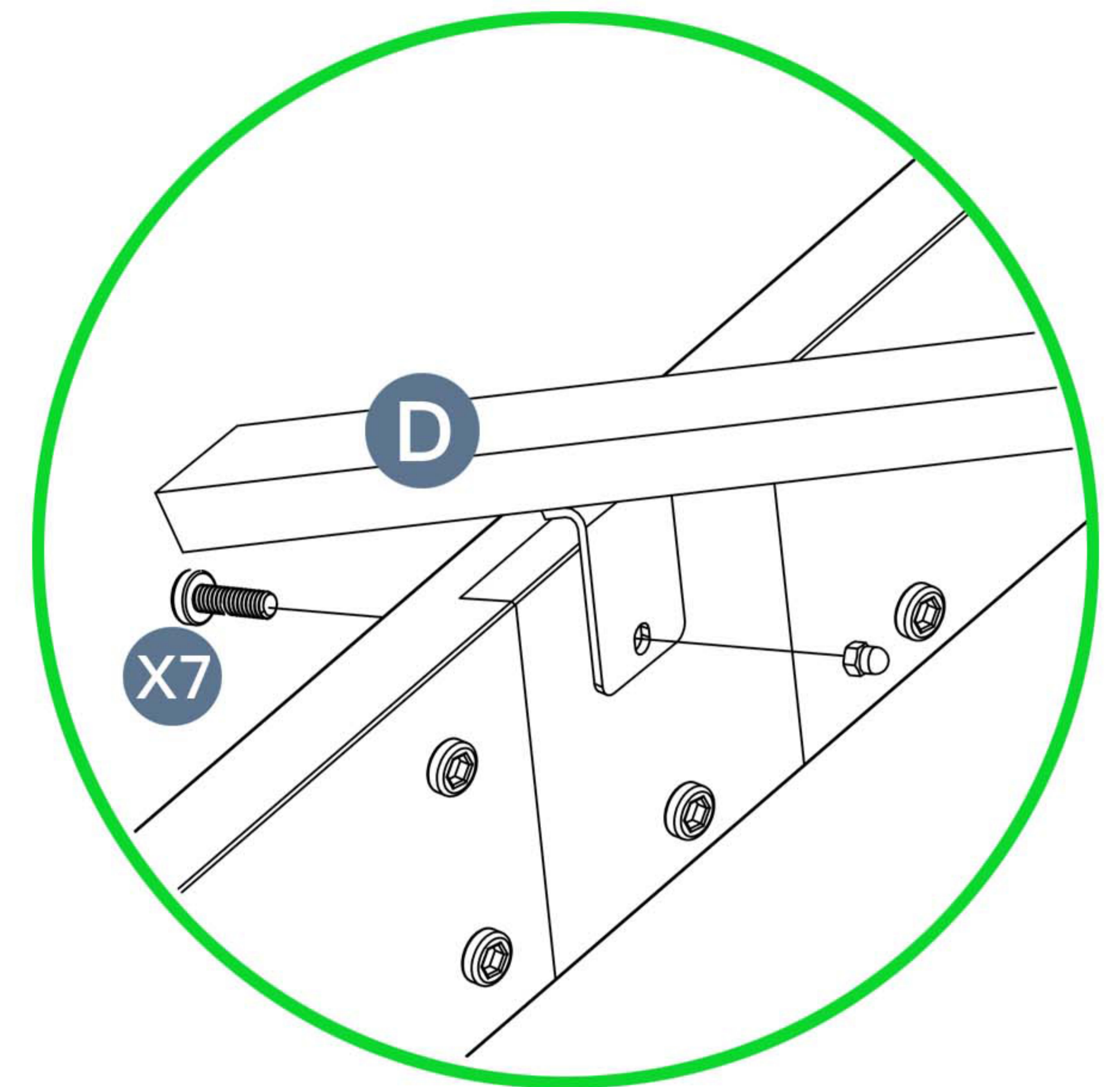


X7 4pcs

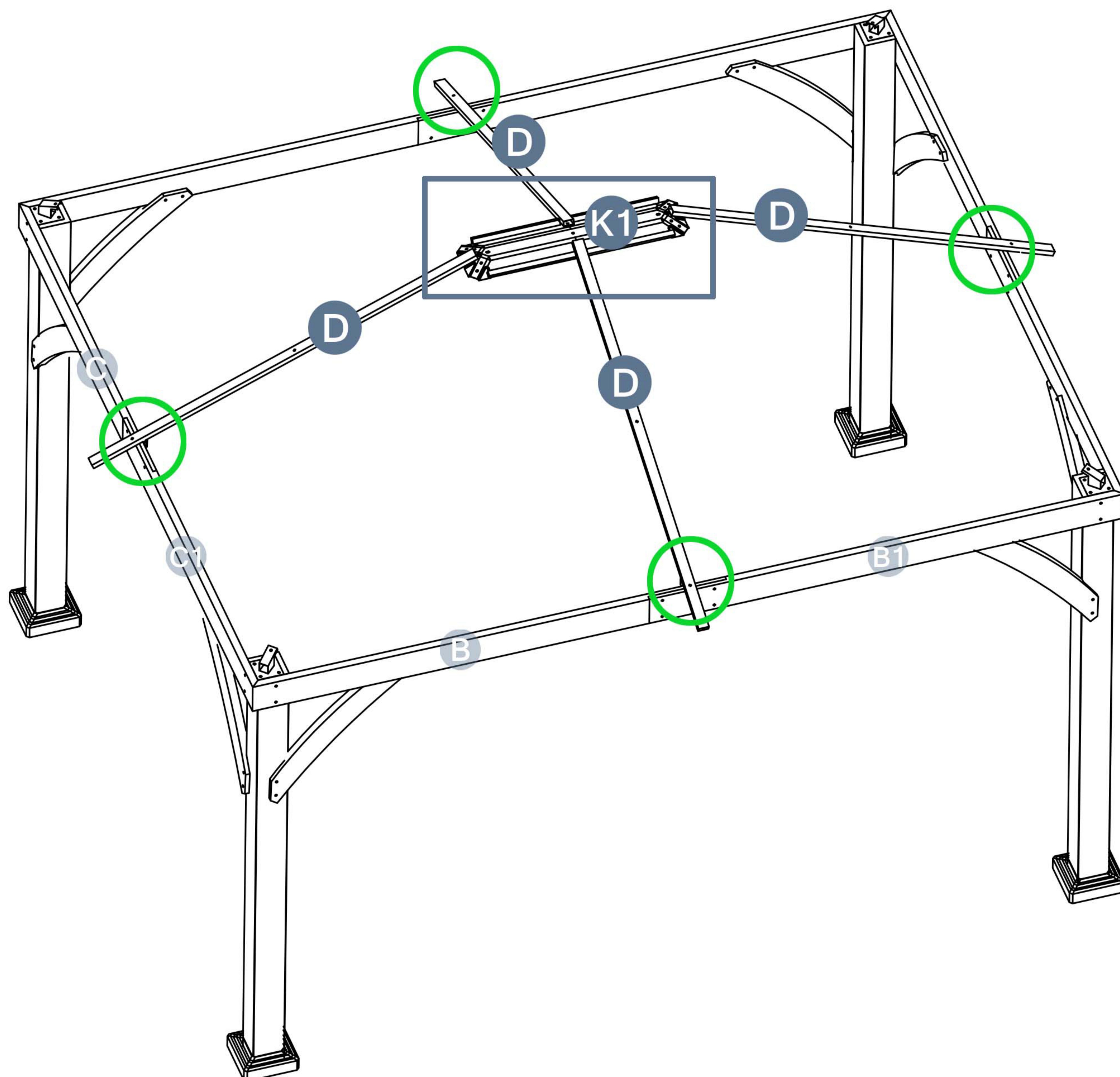
1 → 2



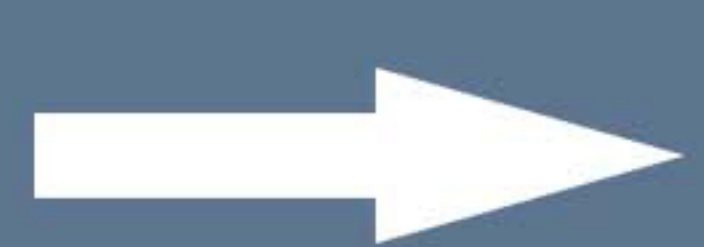
1



2



Please take care of the screws and contact the after-sales service if there is any problem with the installation or parts.



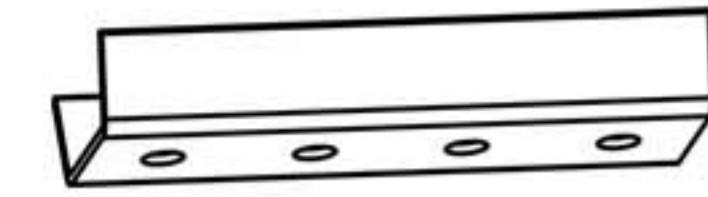
E-mail: cs.helper01@gmail.com

STEP 6

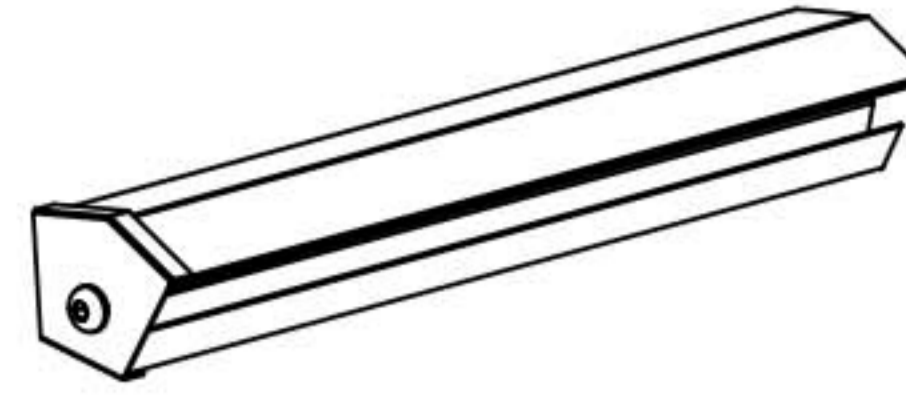
Parts required



E 4pcs



M6 4pcs



E1 4pcs

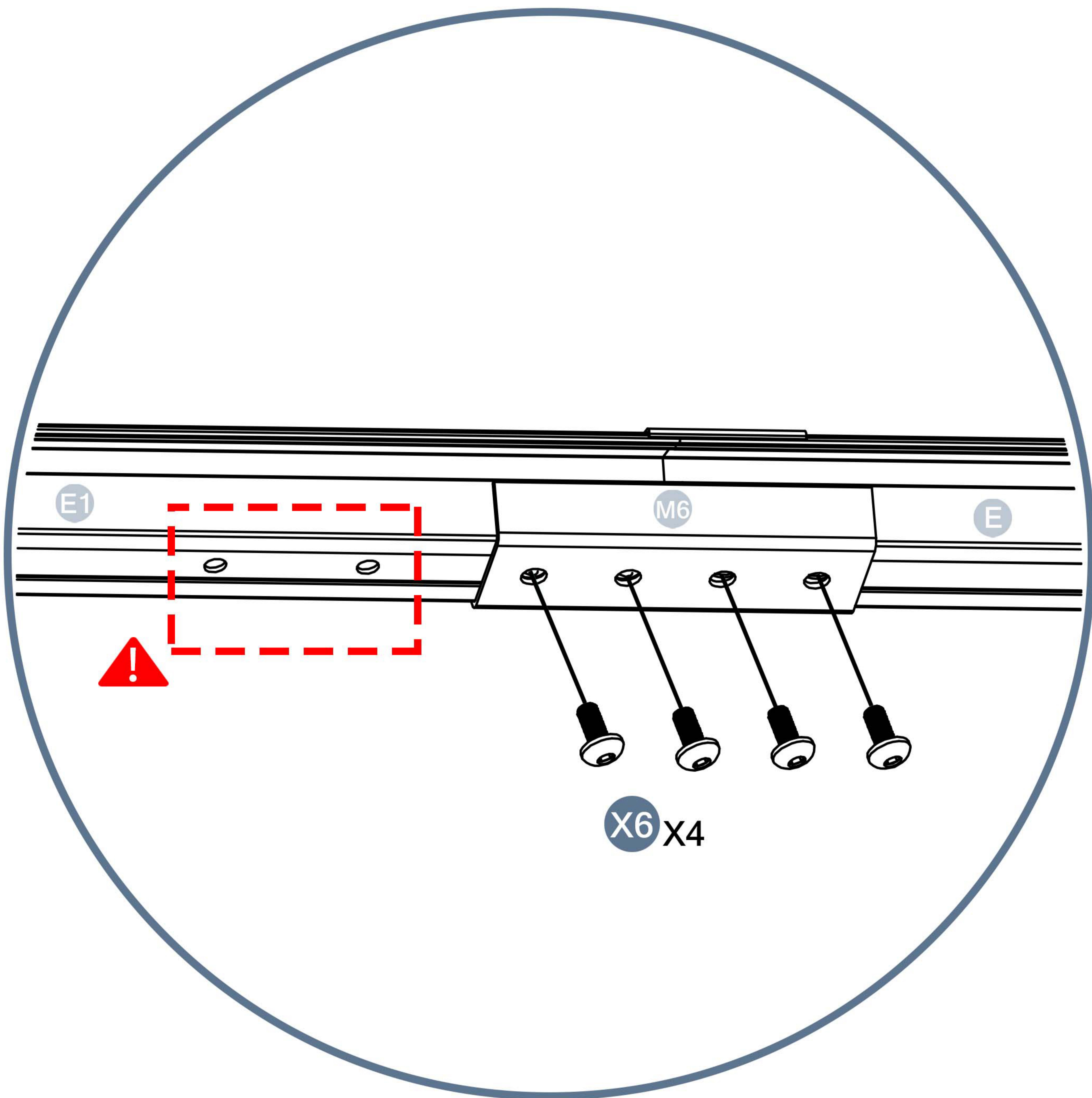


X6 16pcs

 Do not screw and tighten the **E1** pipe in the red dotted box.

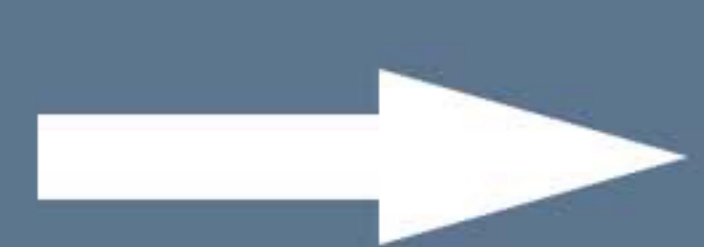


X4



X6 X4

Please take care of the screws and contact the after-sales service if there is any problem with the installation or parts.



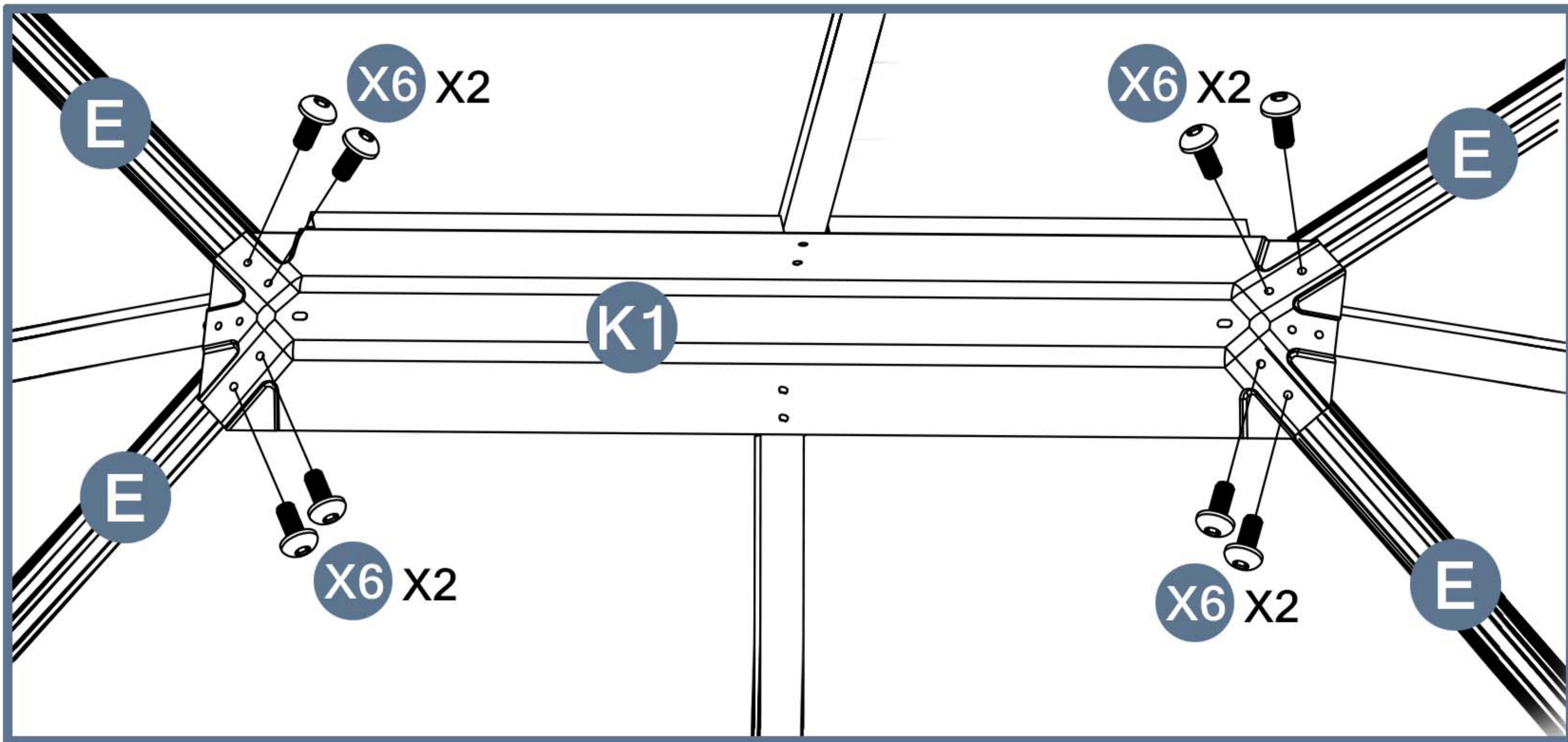
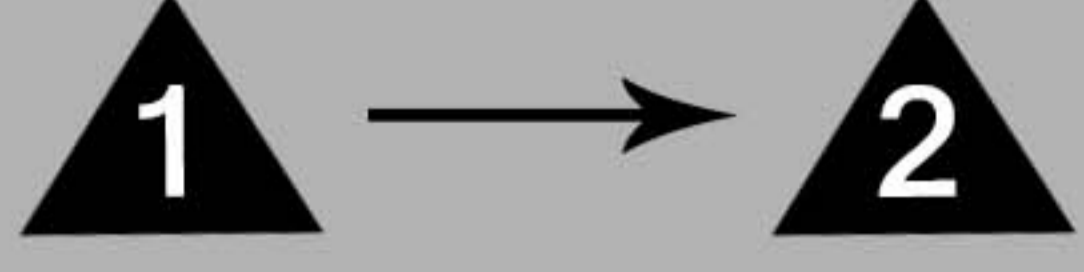
E-mail: cs.helper01@gmail.com

STEP 7

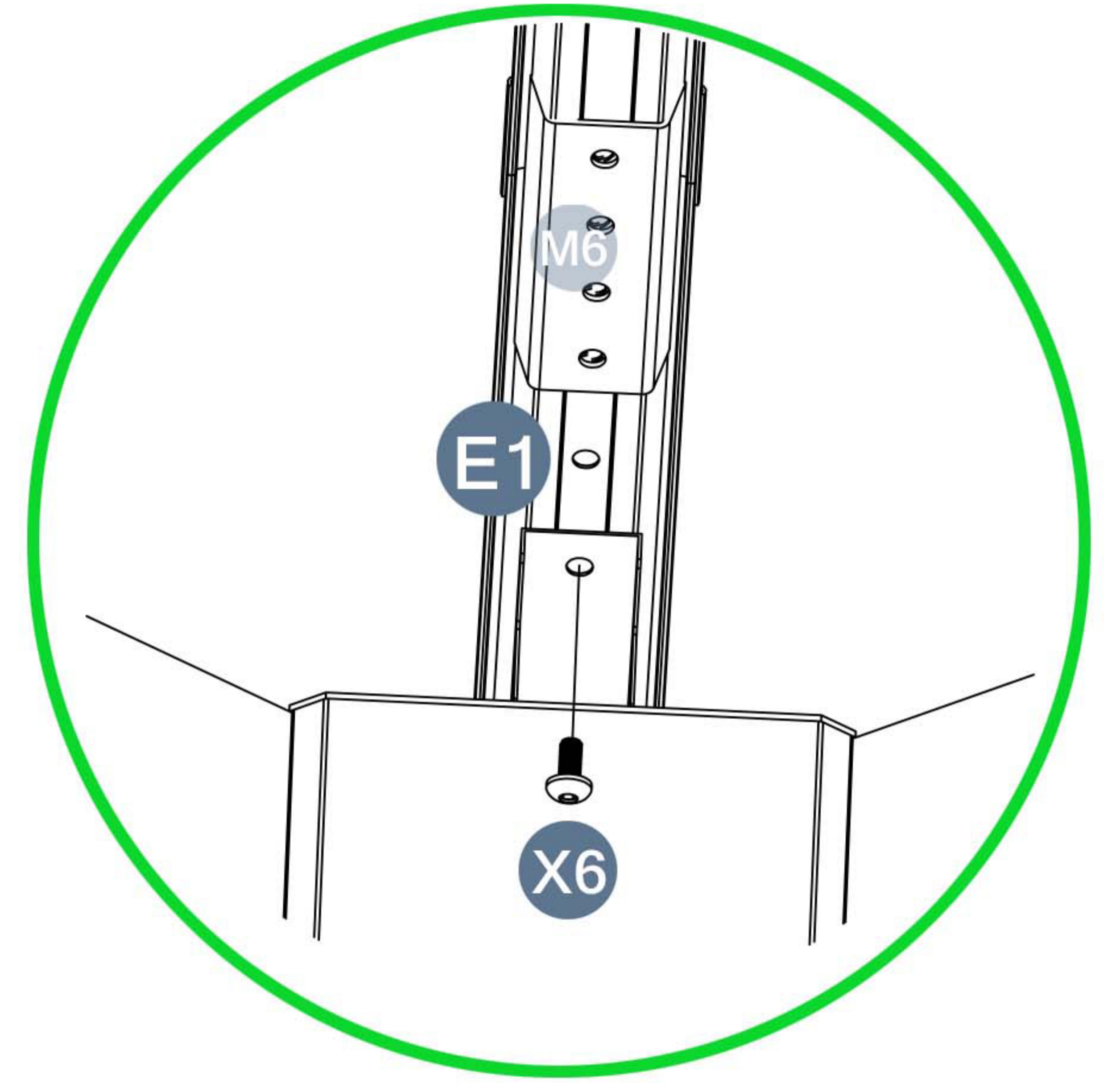
Parts required



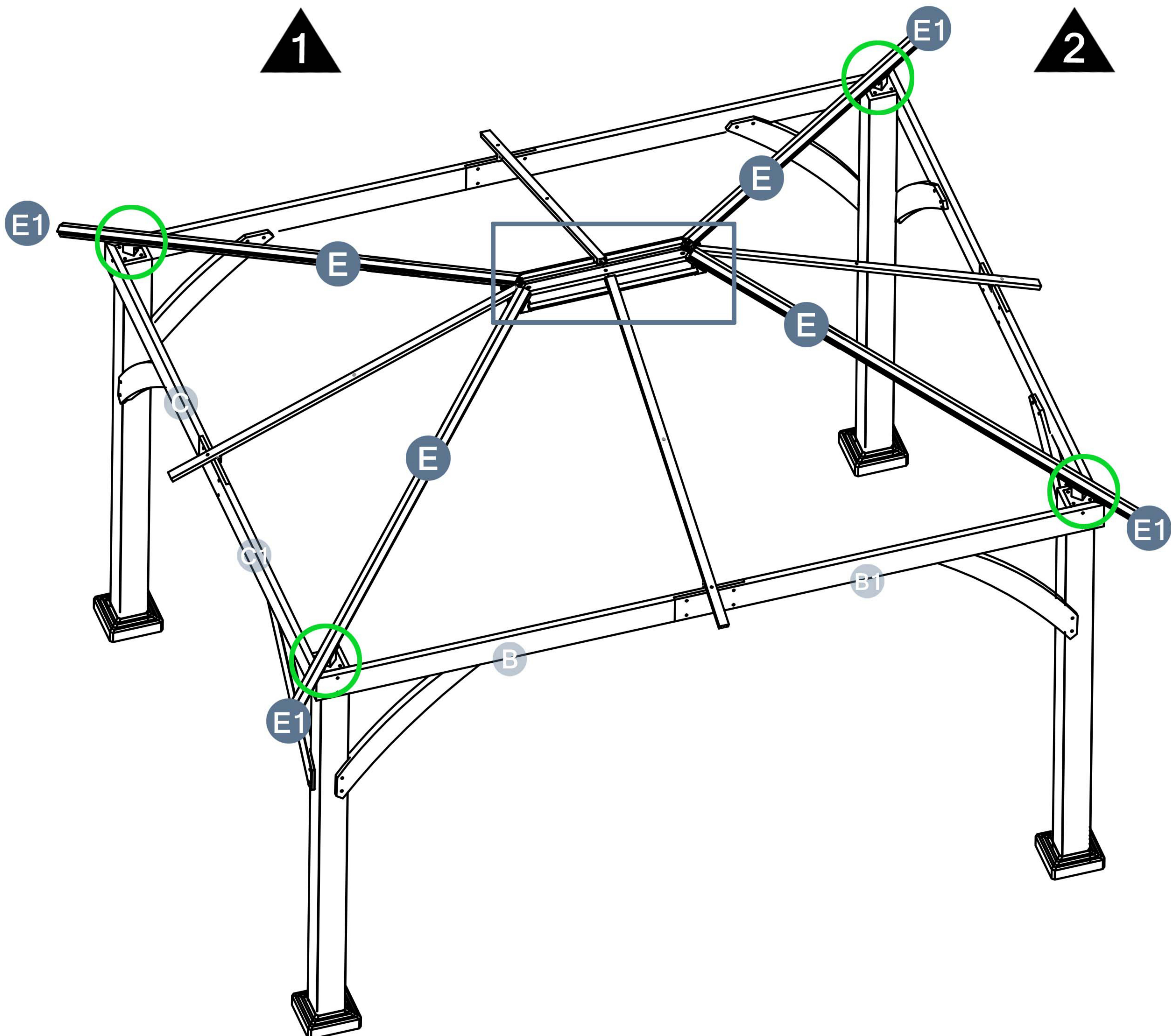
X6 12pcs



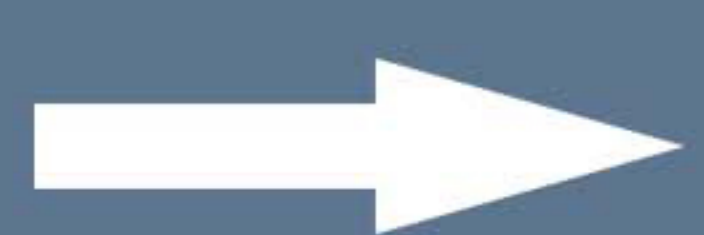
1



2



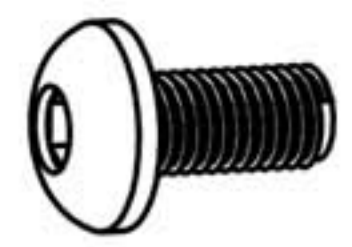
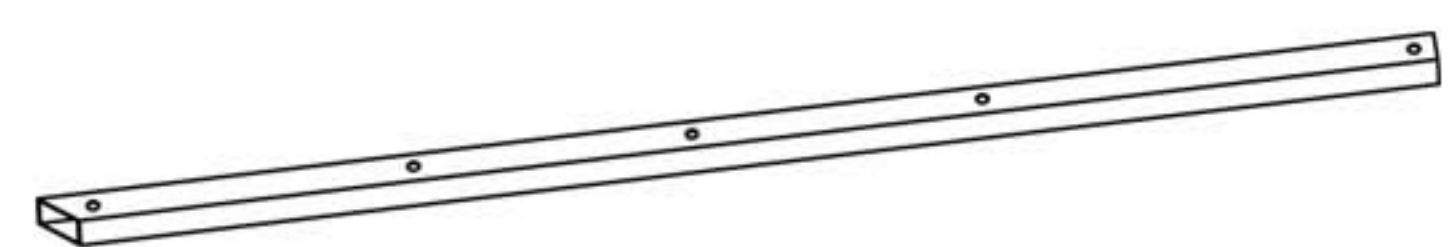

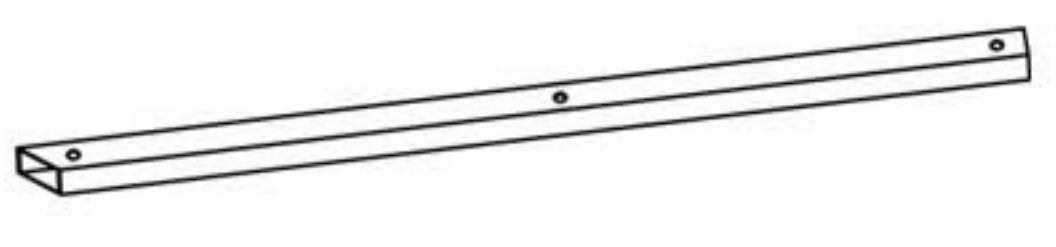
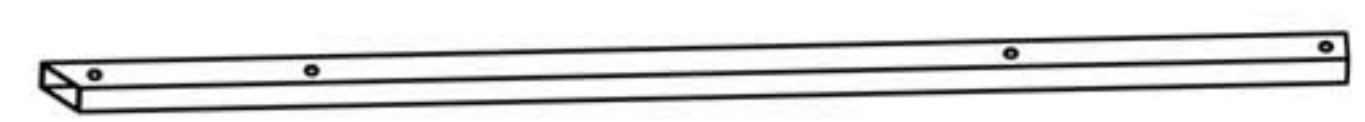
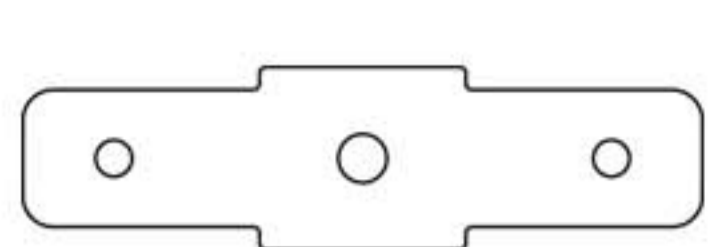
Please take care of the screws and contact the after-sales service if there is any problem with the installation or parts.



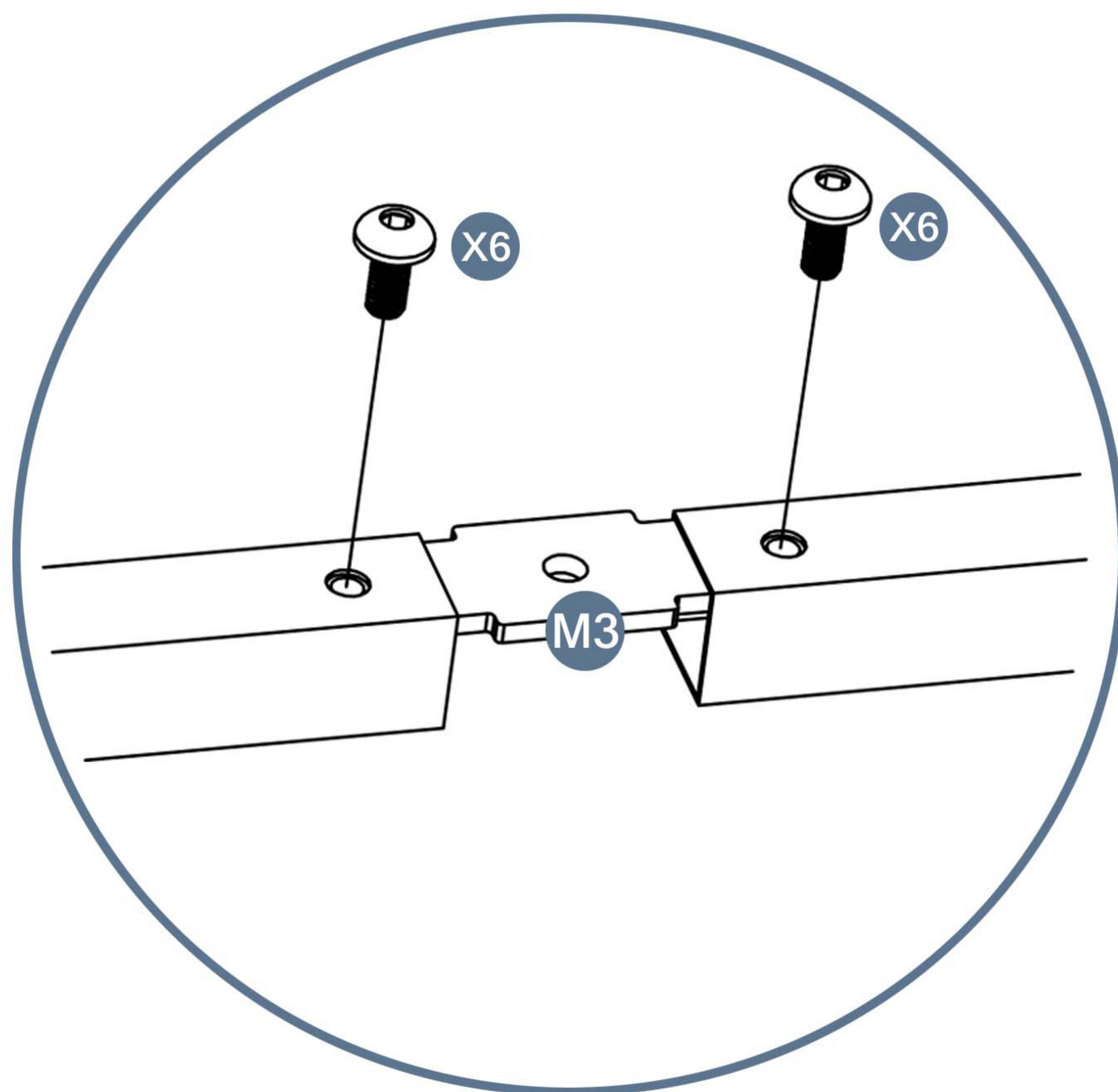
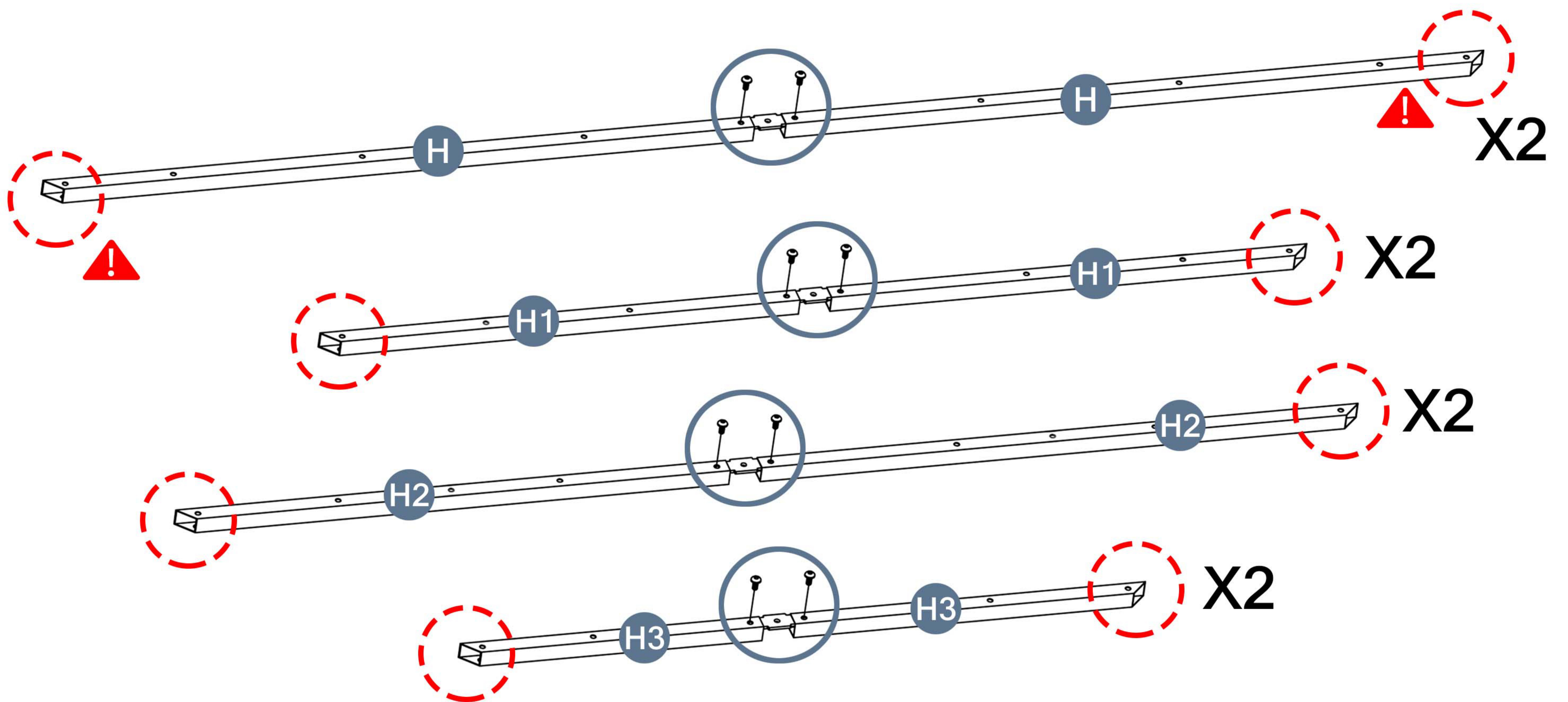
E-mail: cs.helper01@gmail.com

STEP 8

Parts required

	X6 16pcs		H2 4pcs
	H 4pcs		H3 4pcs
	H1 4pcs		M3 8pcs

 Part H、Part H1、Part H2 and Part H3 should be placed as shown in the picture.

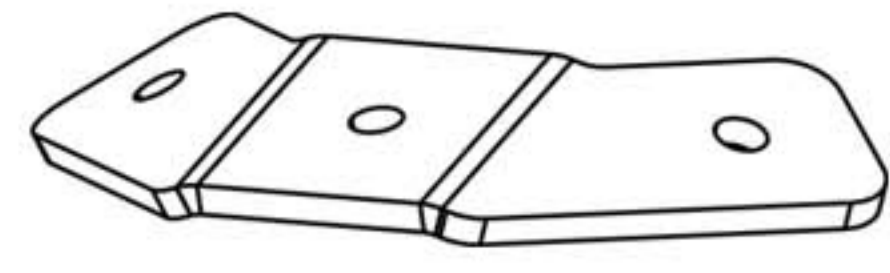


Please take care of the screws and contact the after-sales service if there is any problem with the installation or parts.

  E-mail: cs.helper01@gmail.com

STEP 9

Parts required



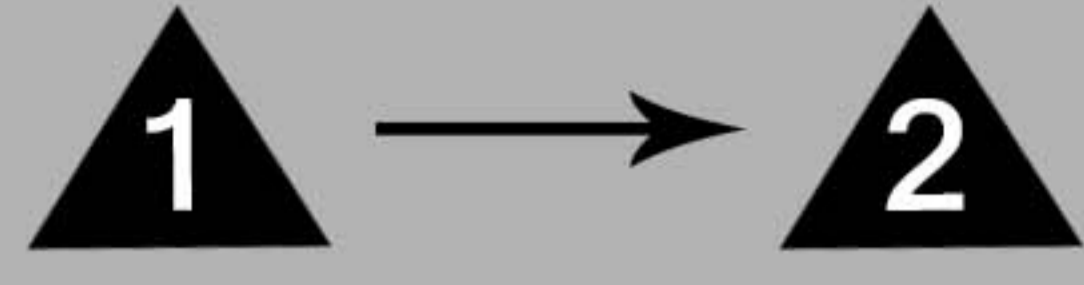
M4 8pcs



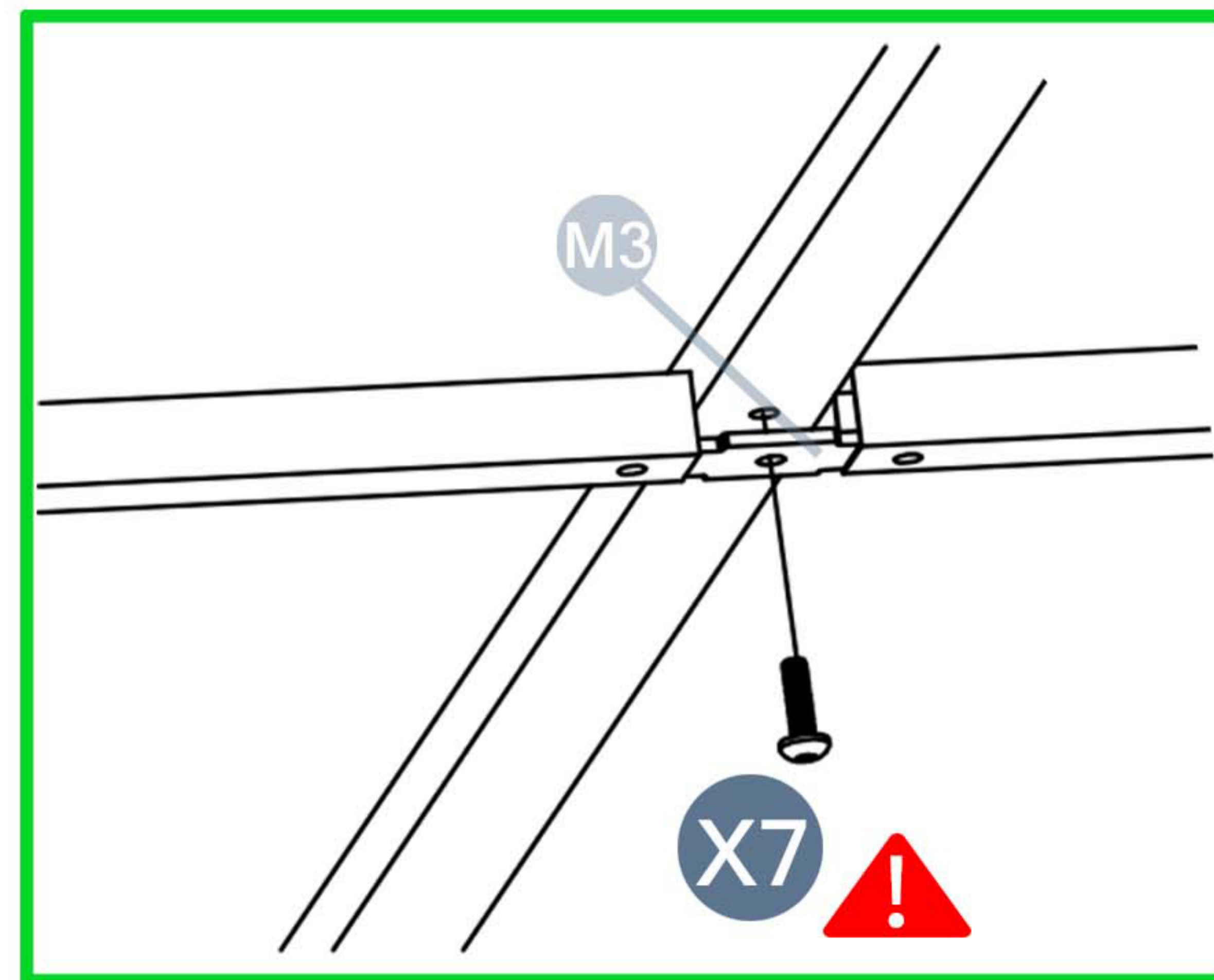
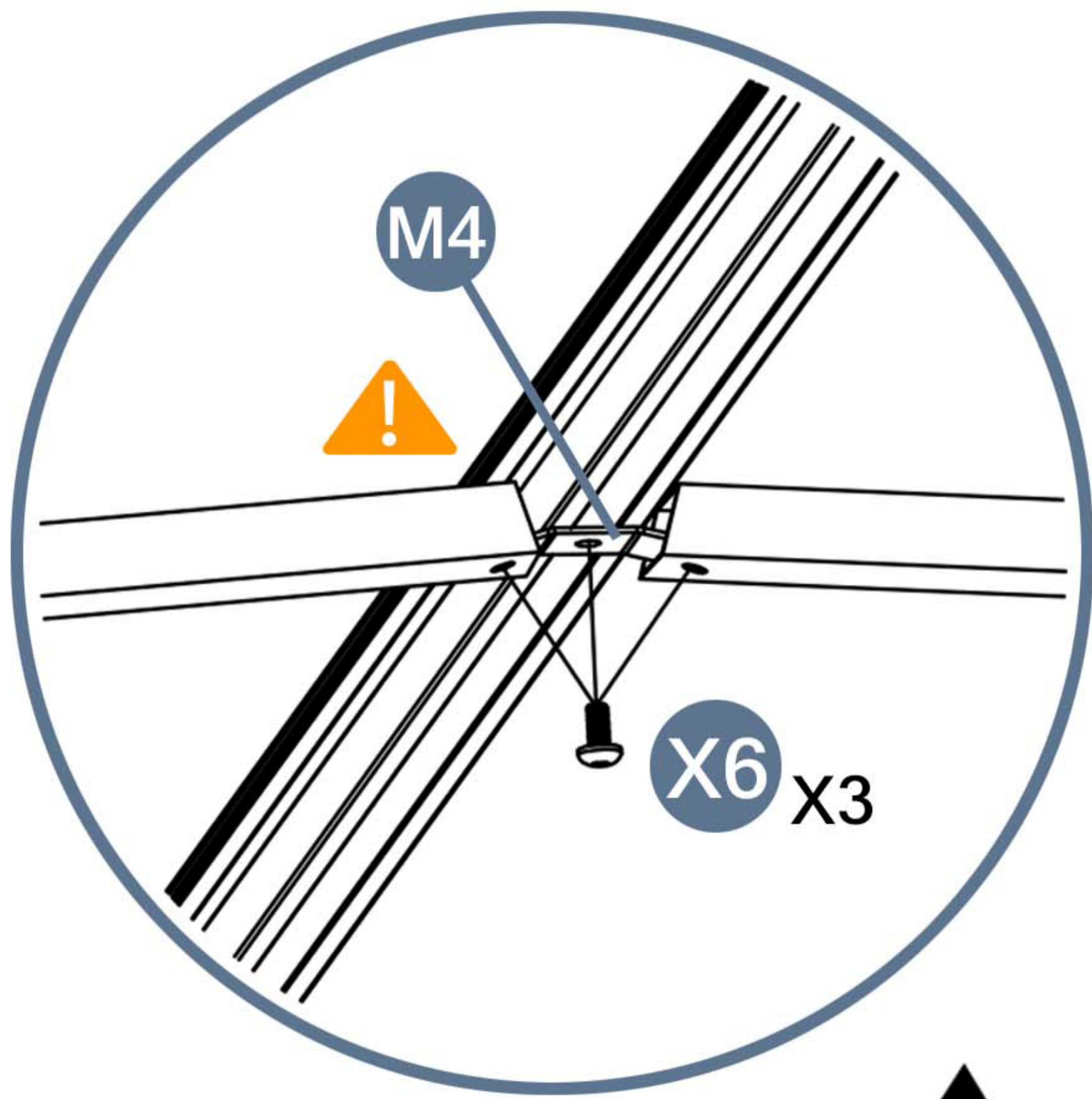
X6 24pcs



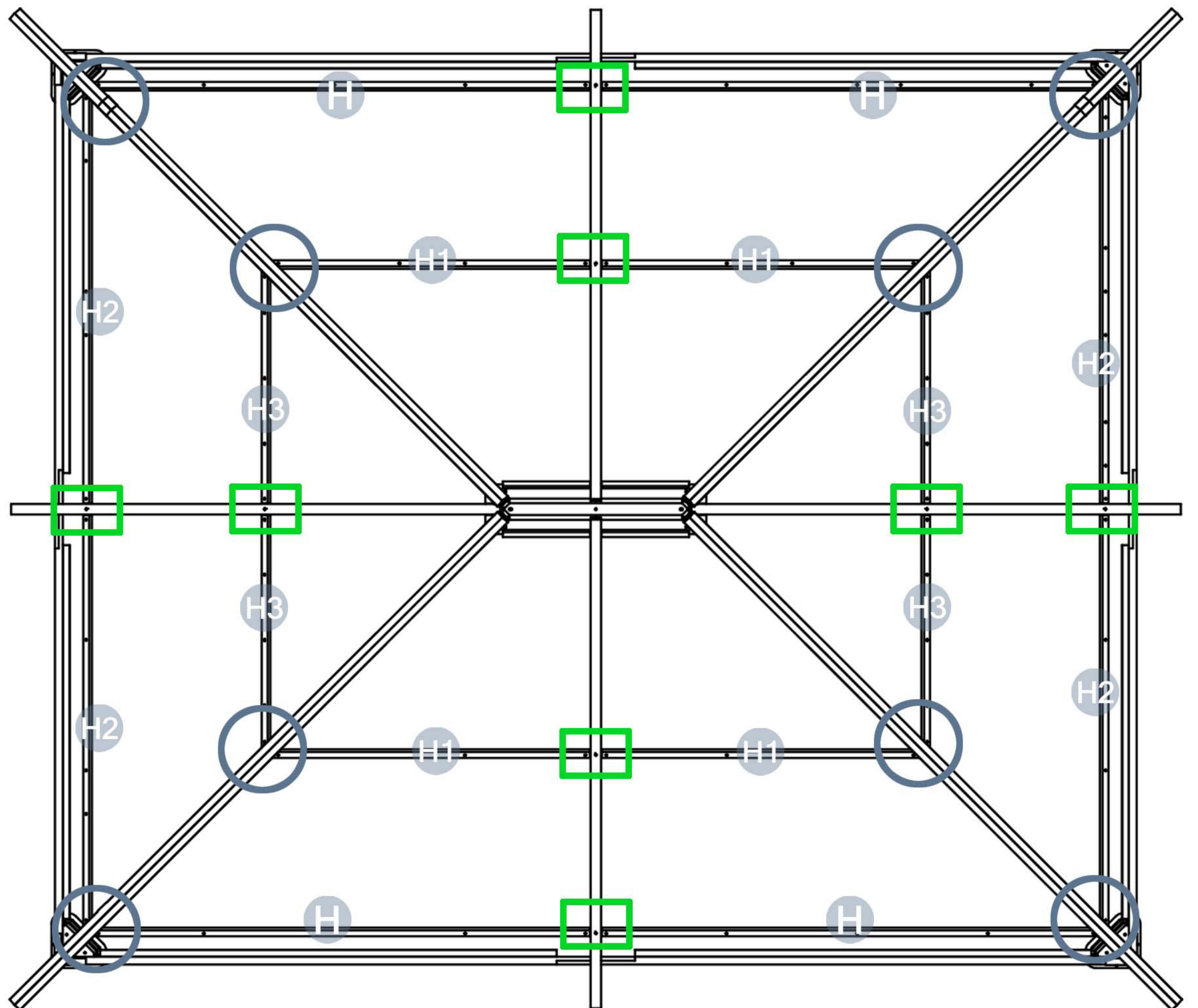
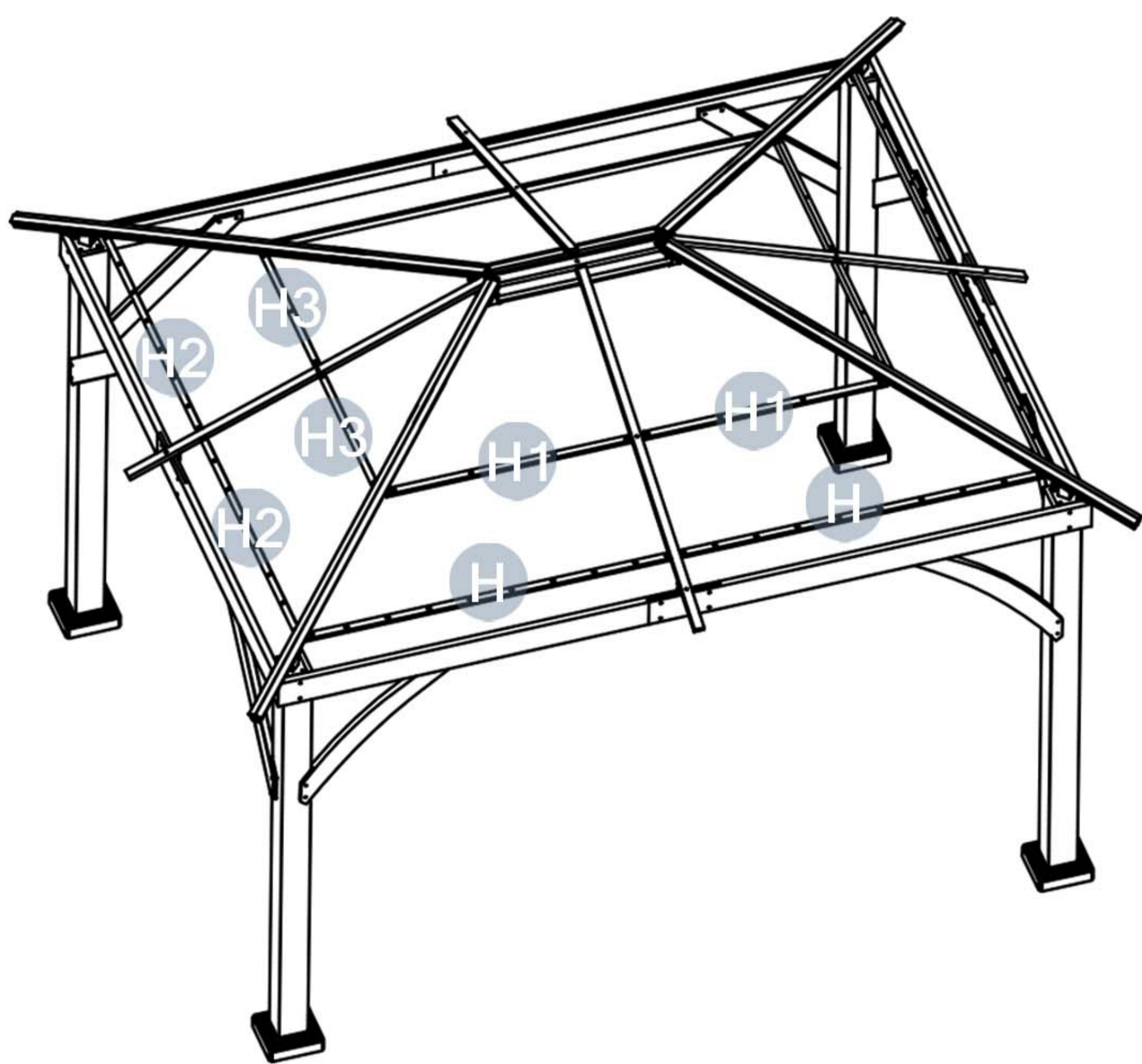
X7 8pcs



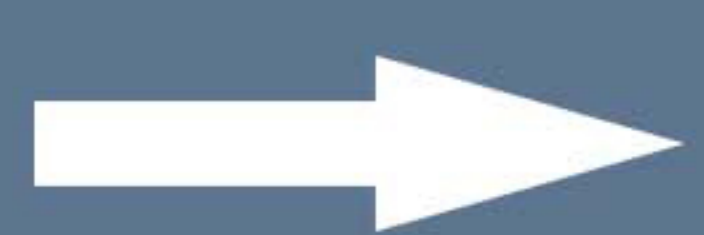
⚠ Only X7 screws are used in this step. Please store the X7 nuts. Steps 10 and 12 will be used.
To better align the screws for practical situations, do not fully tighten screws initially.



M4 needs to be inserted into both tubes, aligned with the holes.



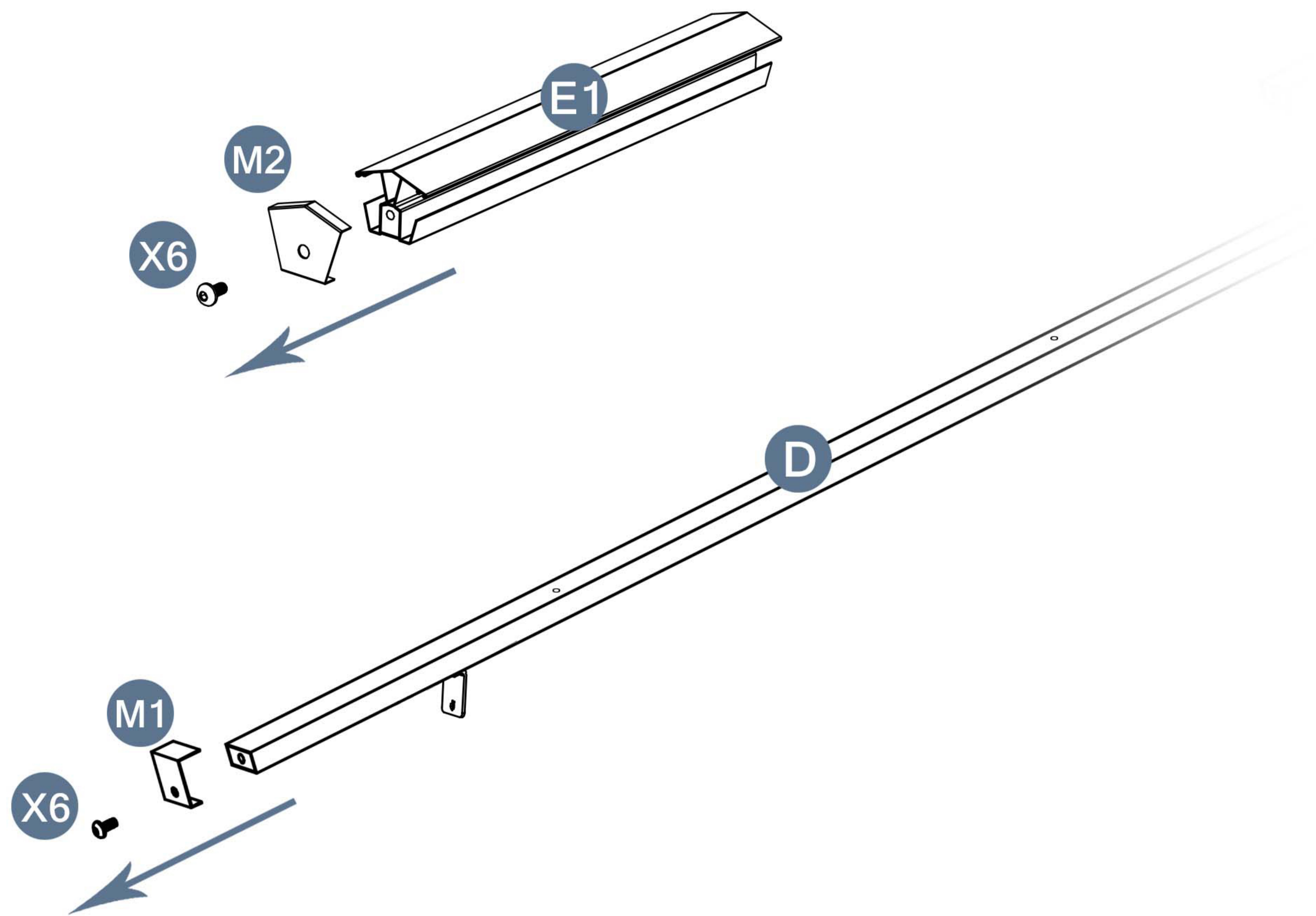
Please take care of the screws and contact the after-sales service if there is any problem with the installation or parts.



E-mail: cs.helper01@gmail.com

To prevent the loss of M2 and M1
we mounted the M2 and M1 on top of the E1 and D ahead of time

Before installing step 10, please remove the 4 M2's
and 4 M1's from the part E1 and D. (Reinstall them during step 13) .



Please take care of the screws and contact the after-sales service if there is any problem with the installation or parts.



E-mail: cs.helper01@gmail.com

STEP 10

Parts required

V1 2pcs

V2 2pcs

X7 16pcs

V3 2pcs

M5 20pcs

O1 2pcs

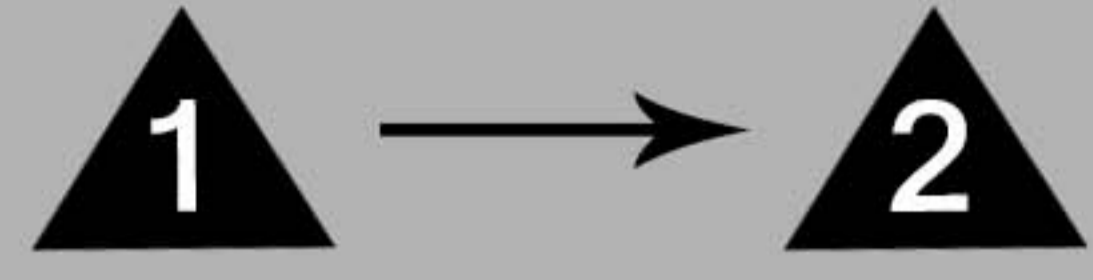
O2 2pcs

O3 2pcs

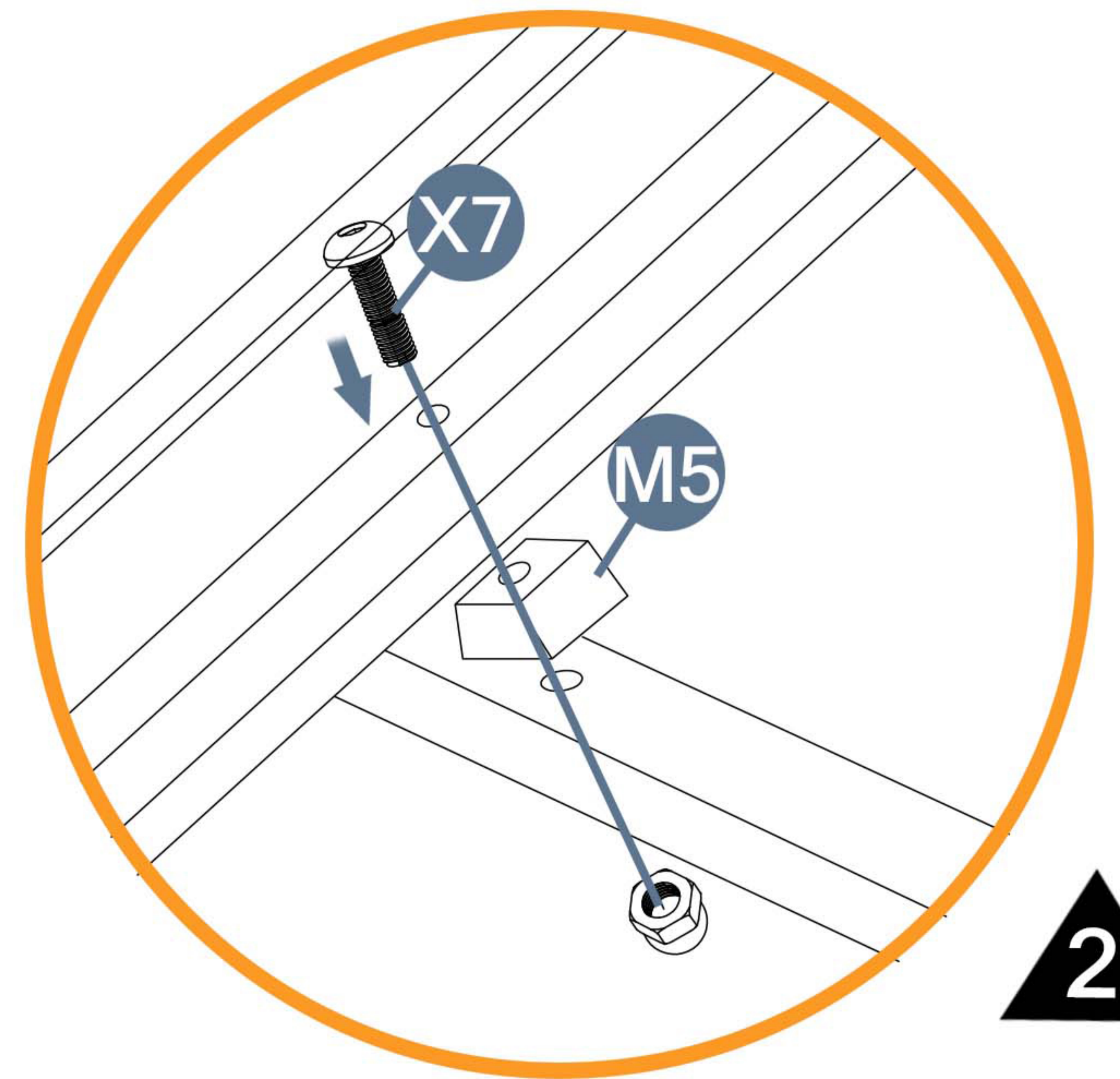
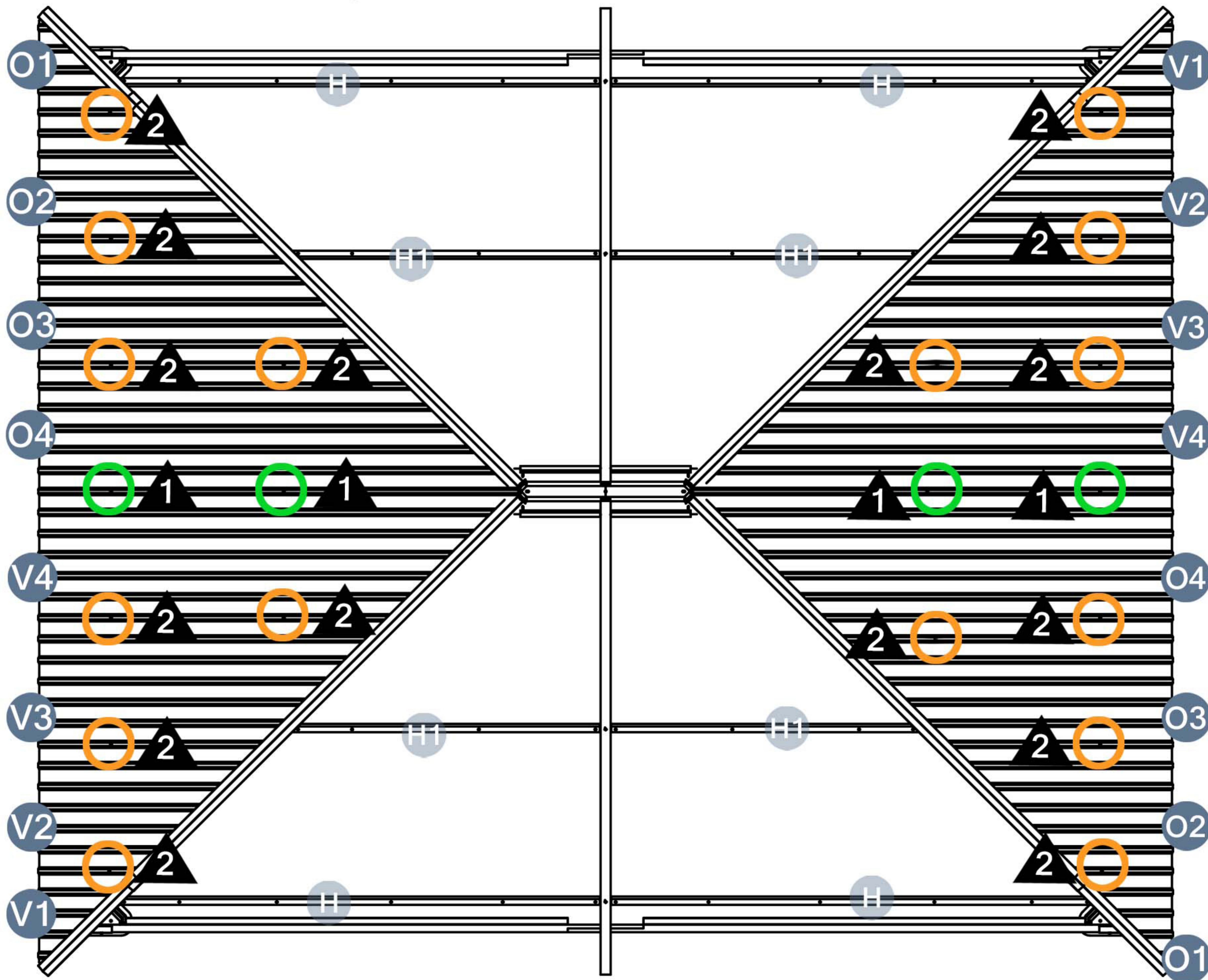
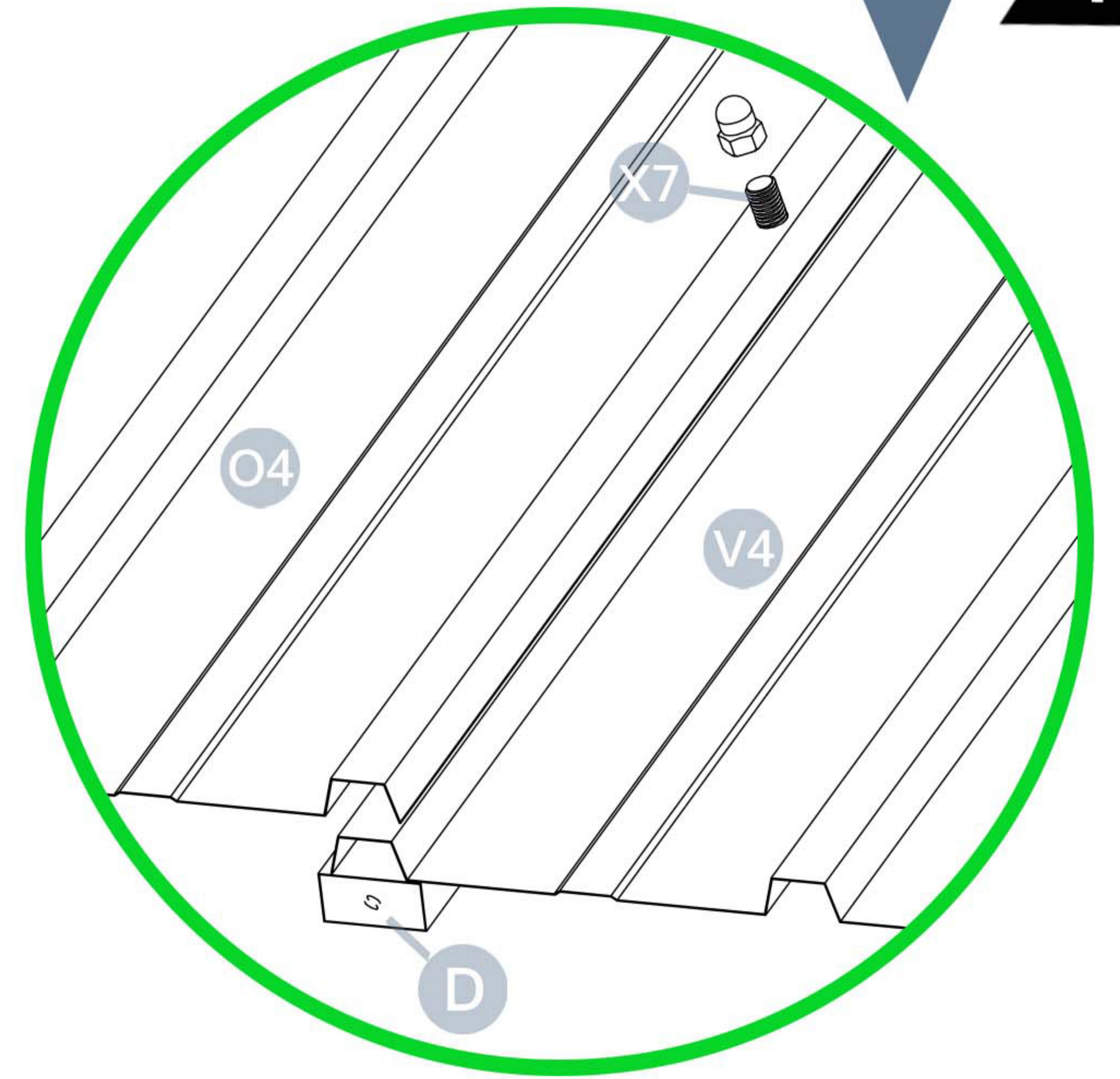
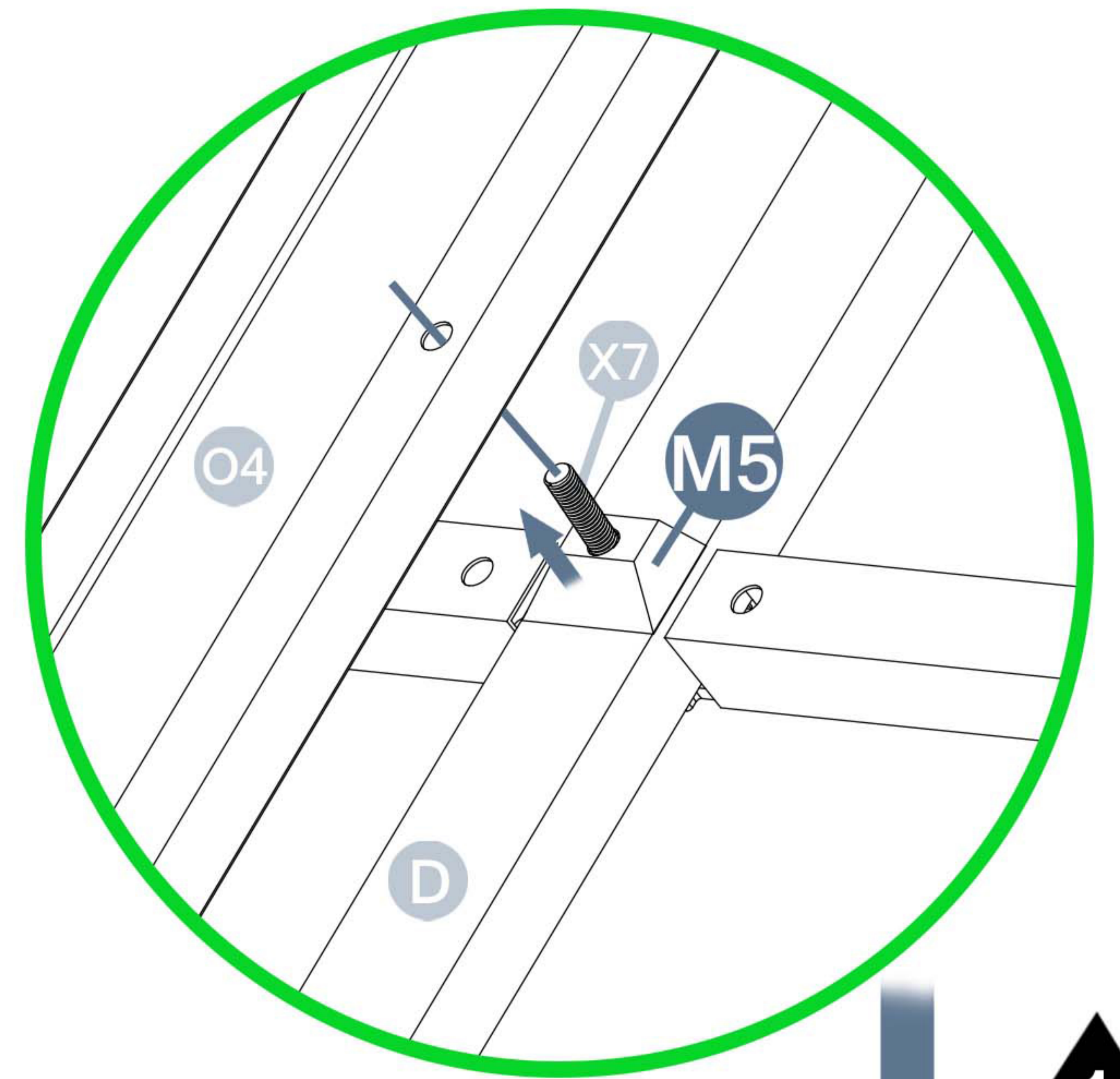
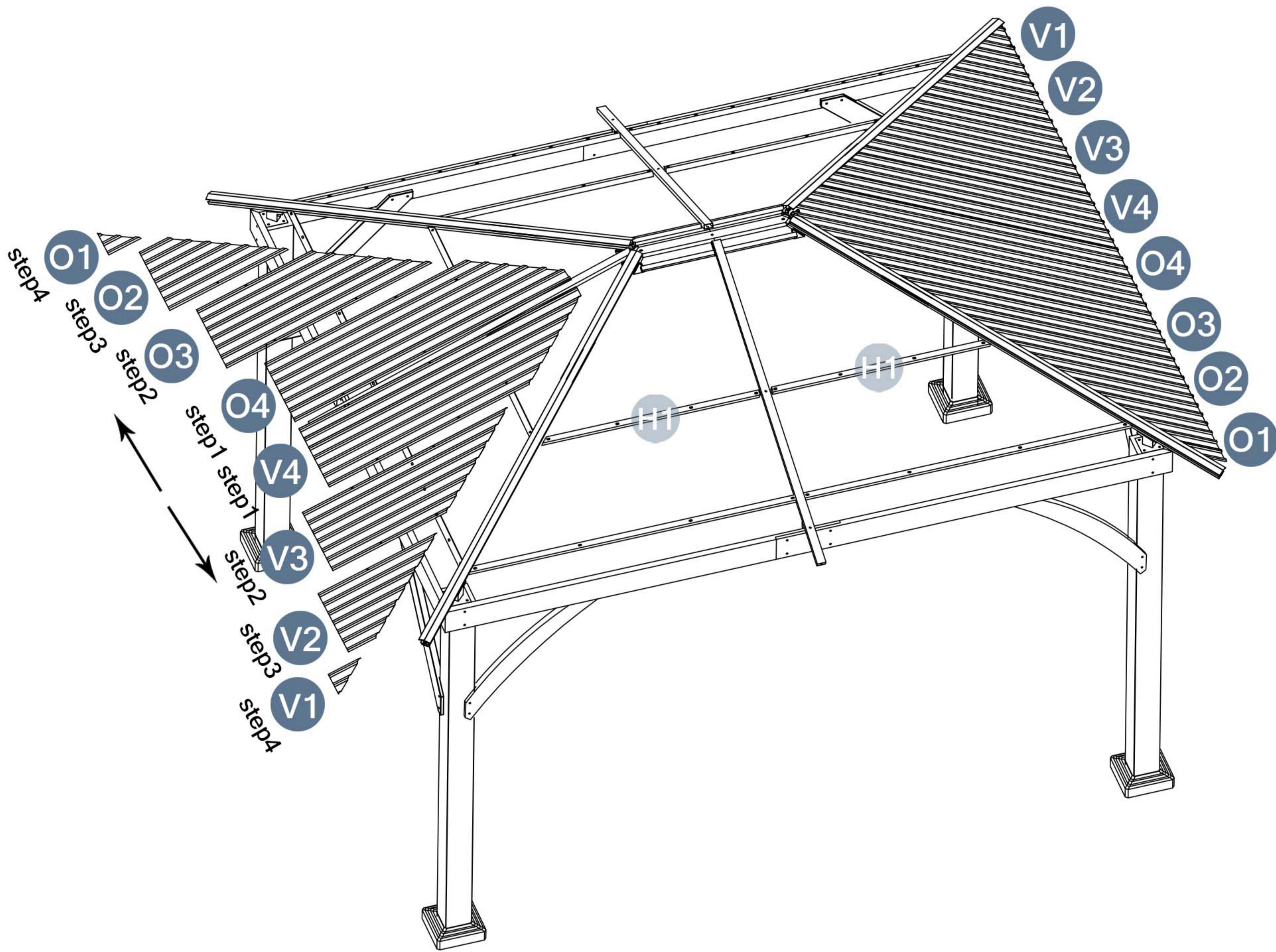
O4 2pcs

V4 2pcs

O4 2pcs



Pay attention to the direction of screw installation

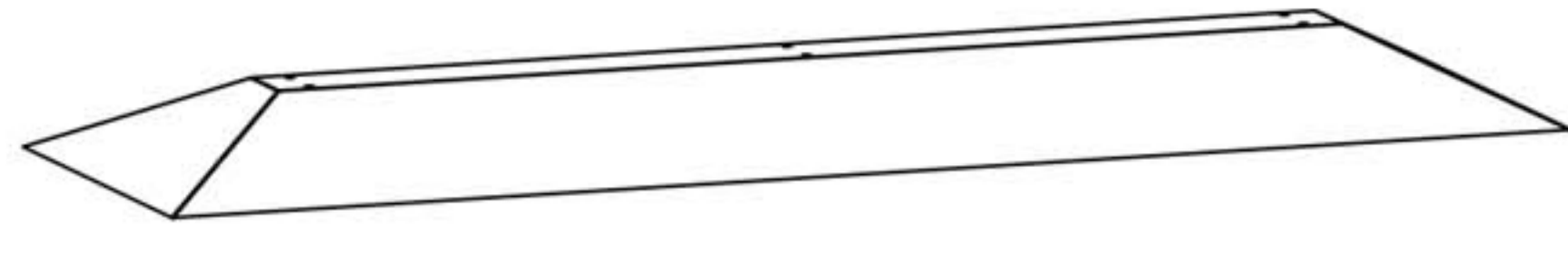


Please take care of the screws and contact the after-sales service if there is any problem with the installation or parts.

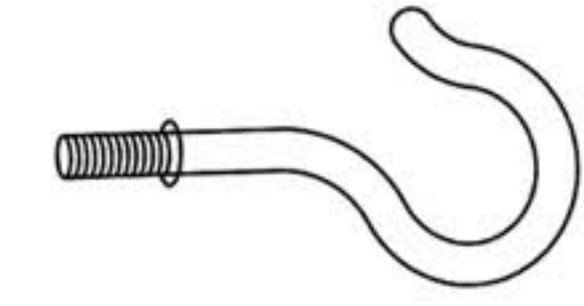
➔ E-mail: cs.helper01@gmail.com

STEP 11

Parts required



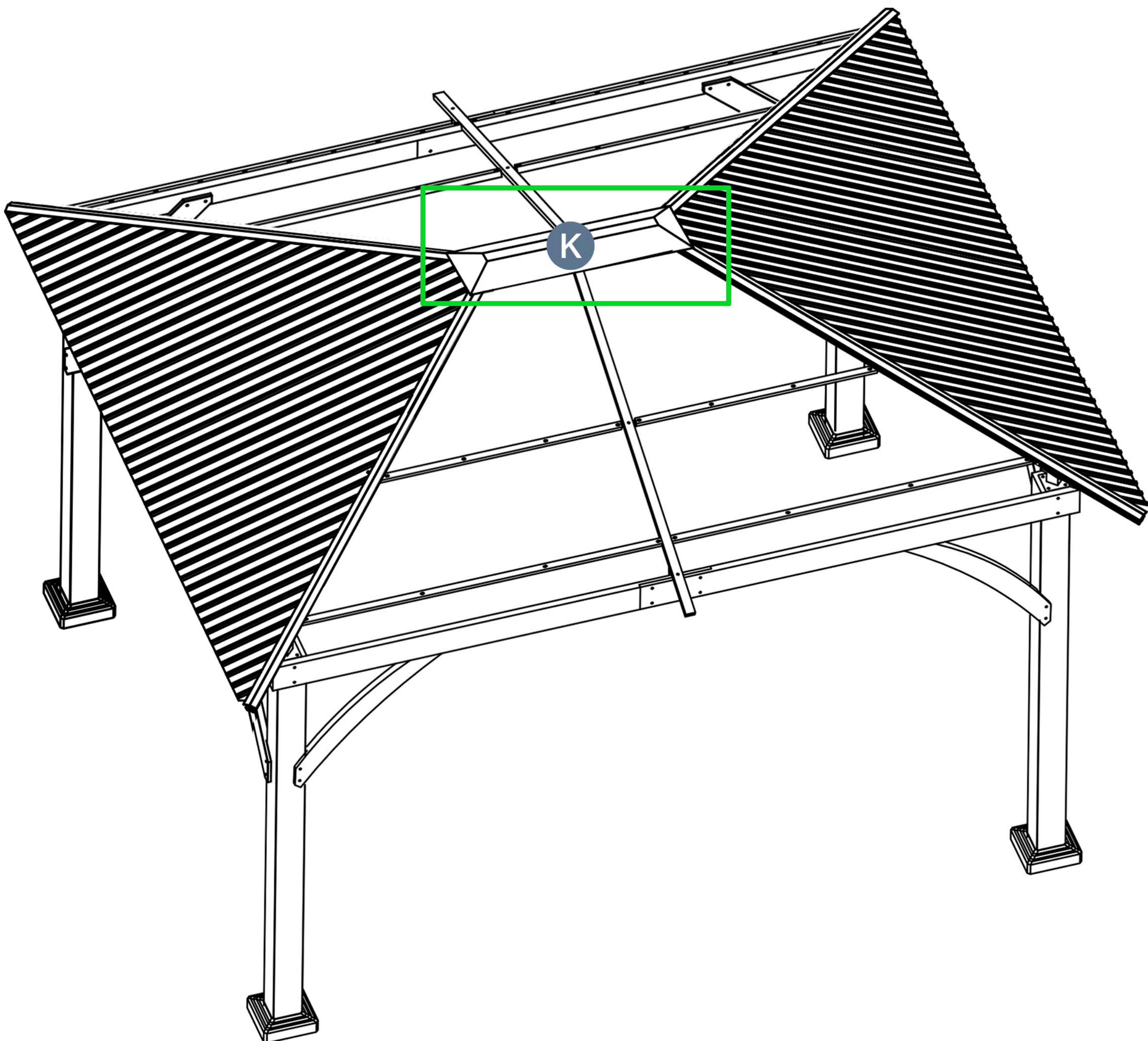
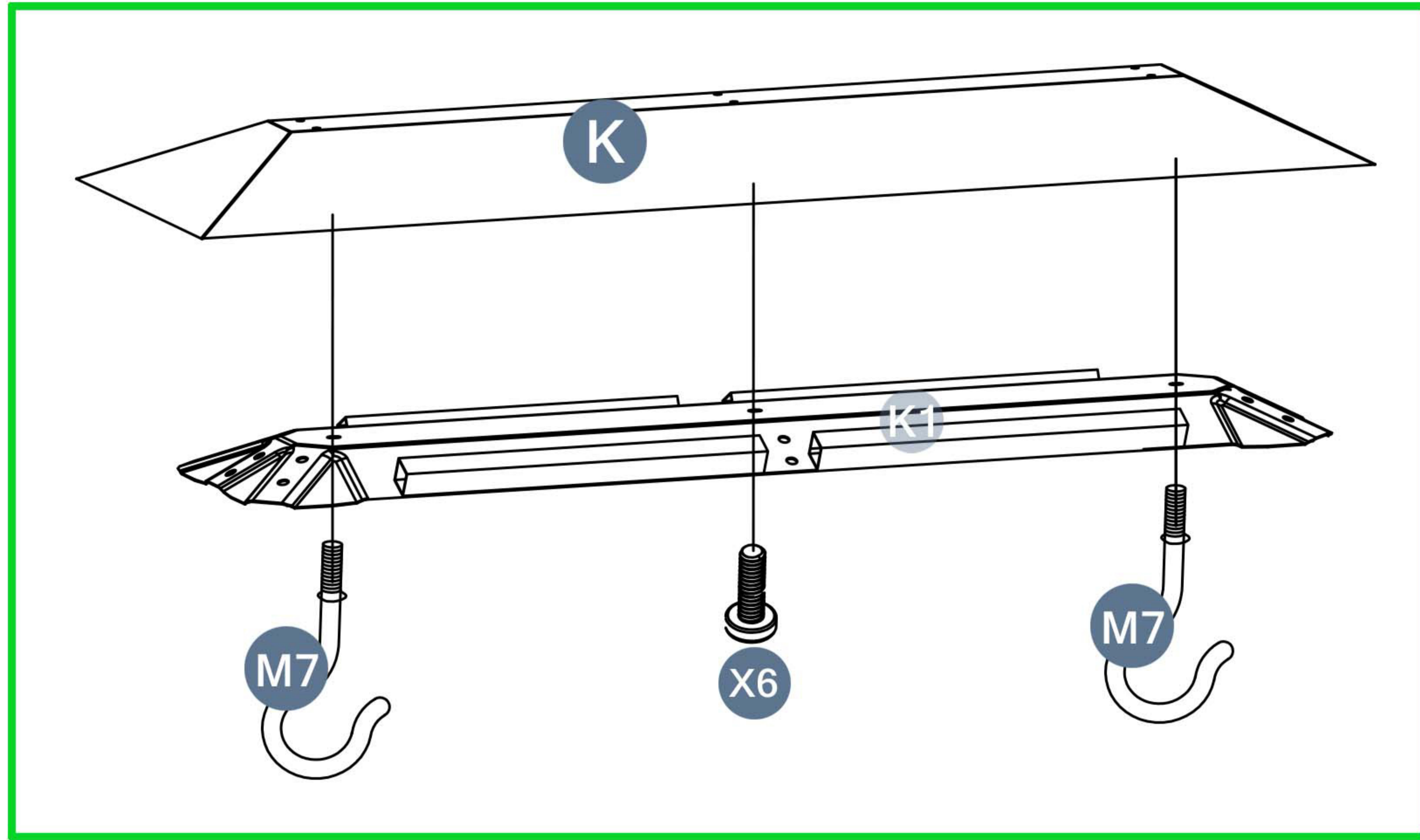
K 1pcs



M7 2pcs



X6 1pcs

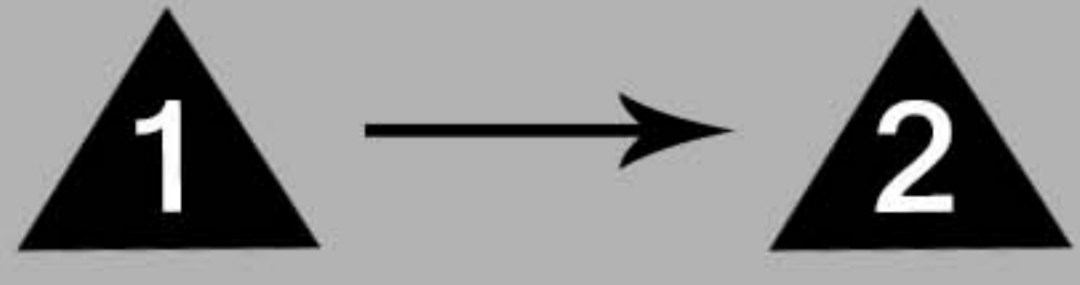
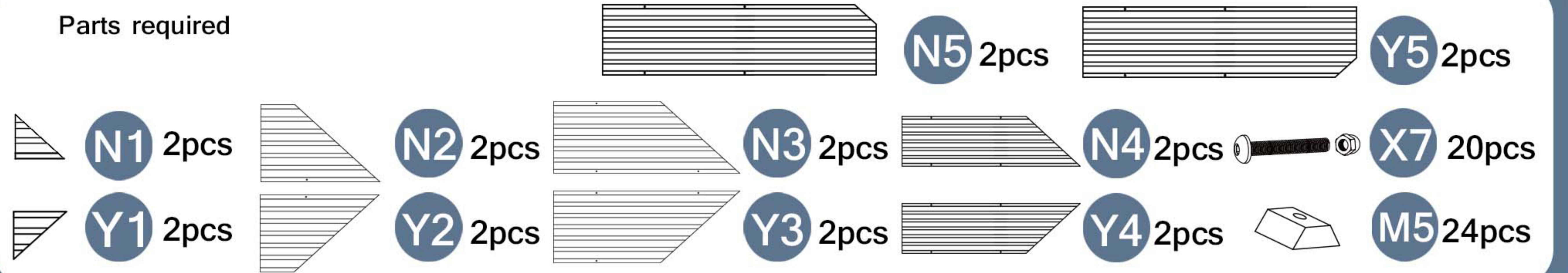


Please take care of the screws and contact the after-sales service if there is any problem with the installation or parts.

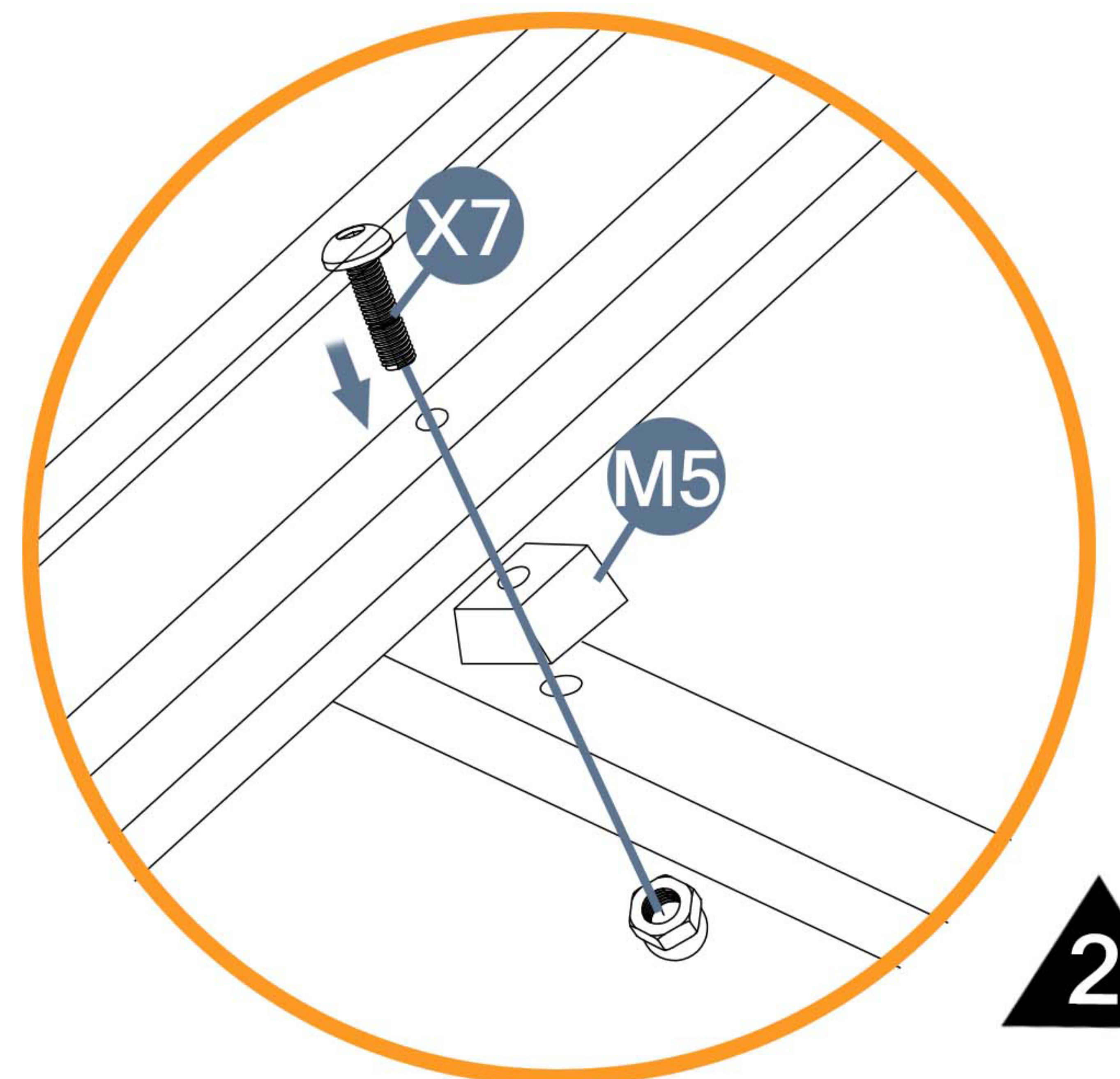
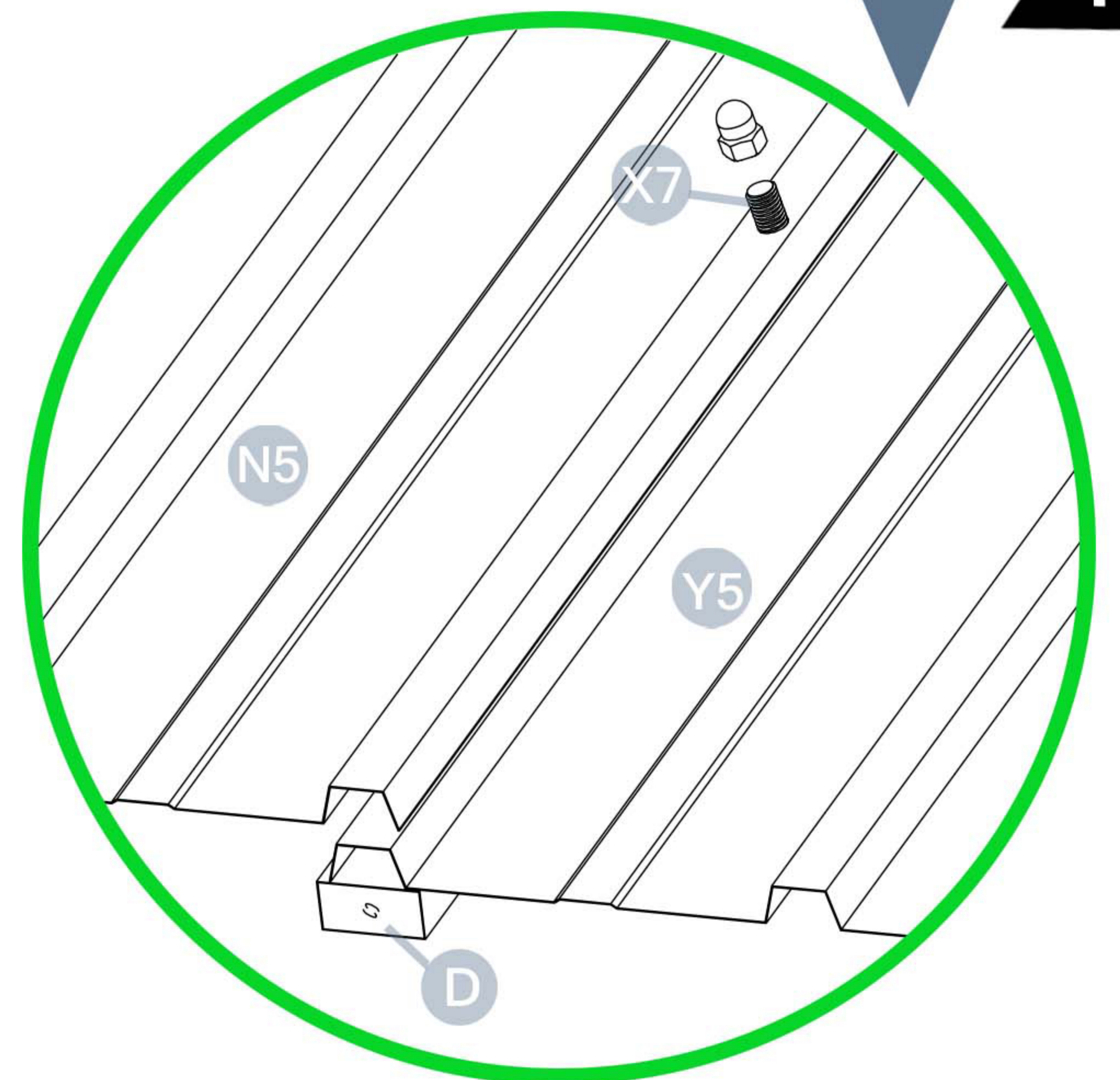
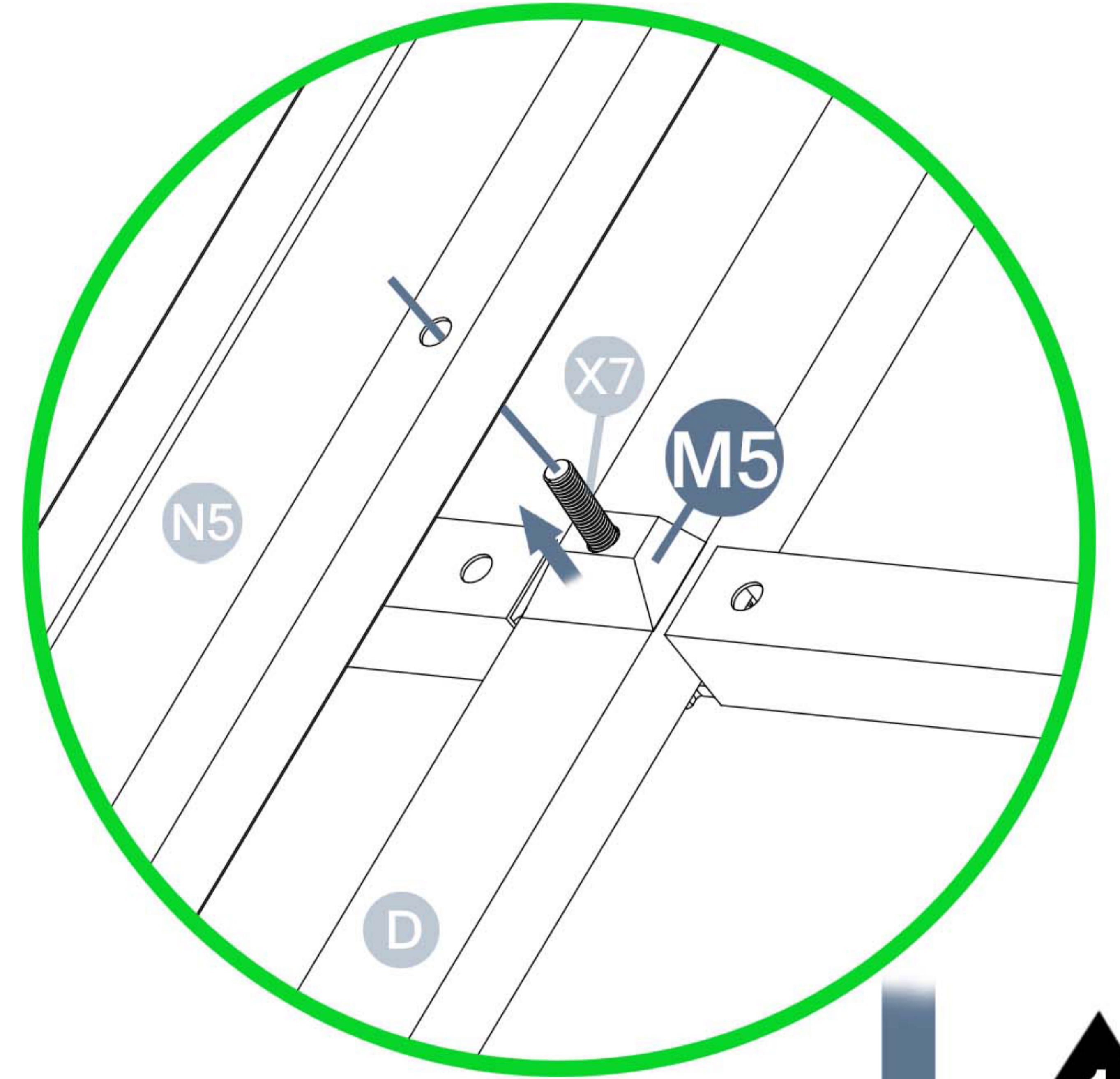
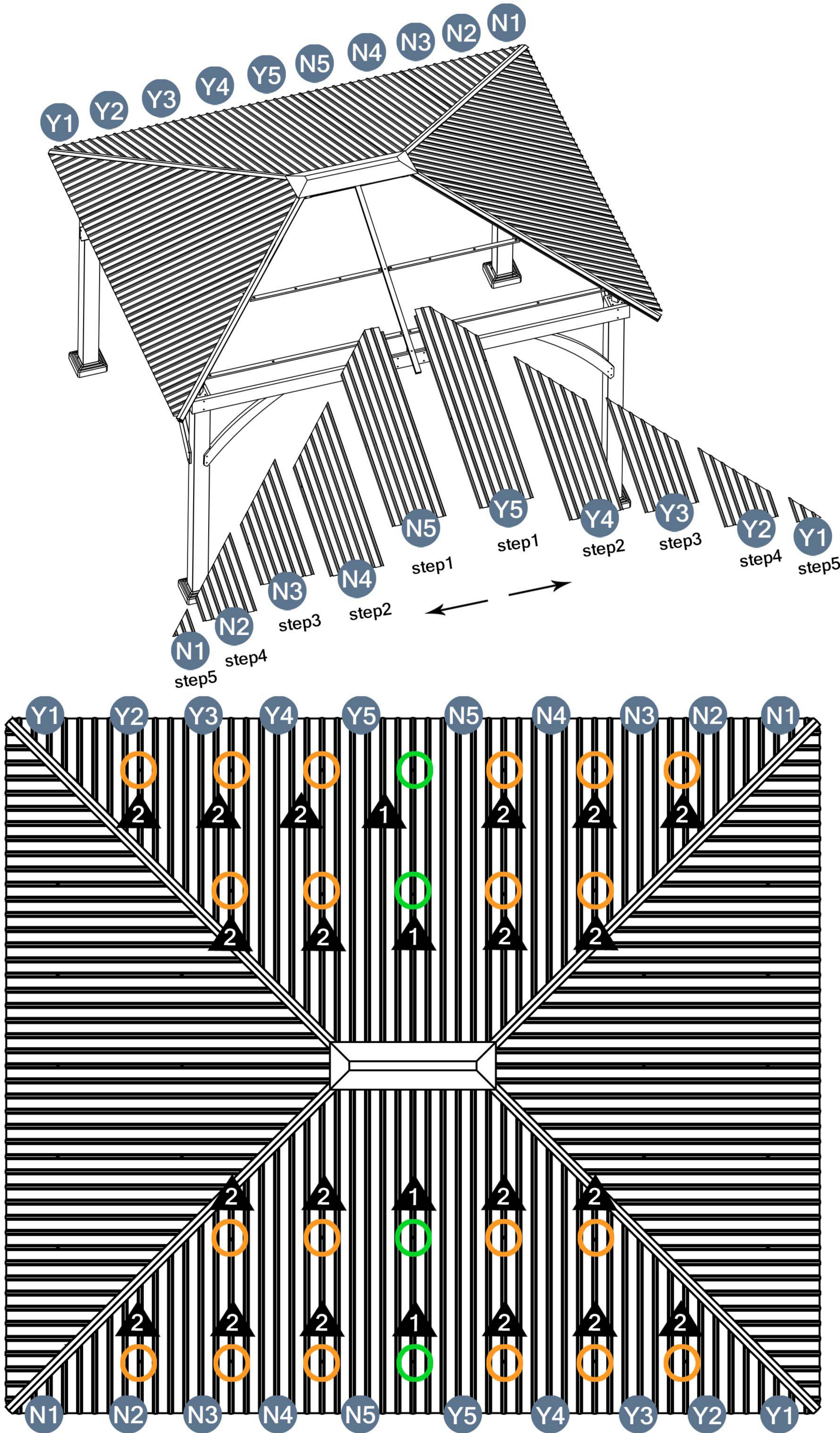


STEP 12

Parts required



Pay attention to the direction of screw installation

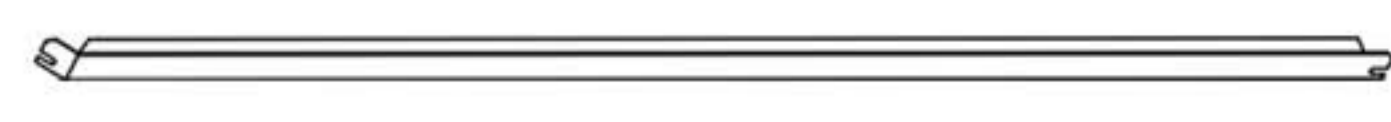


Please take care of the screws and contact the after-sales service if there is any problem with the installation or parts.

➔ E-mail: cs.helper01@gmail.com

STEP 13

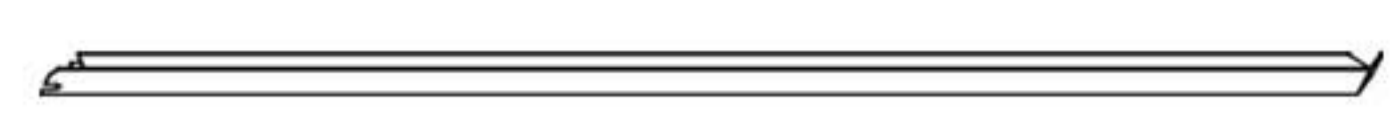
Parts required



G1 2pcs



G3 2pcs



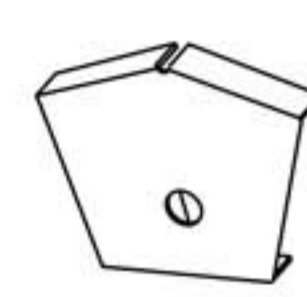
G2 2pcs



G4 2pcs



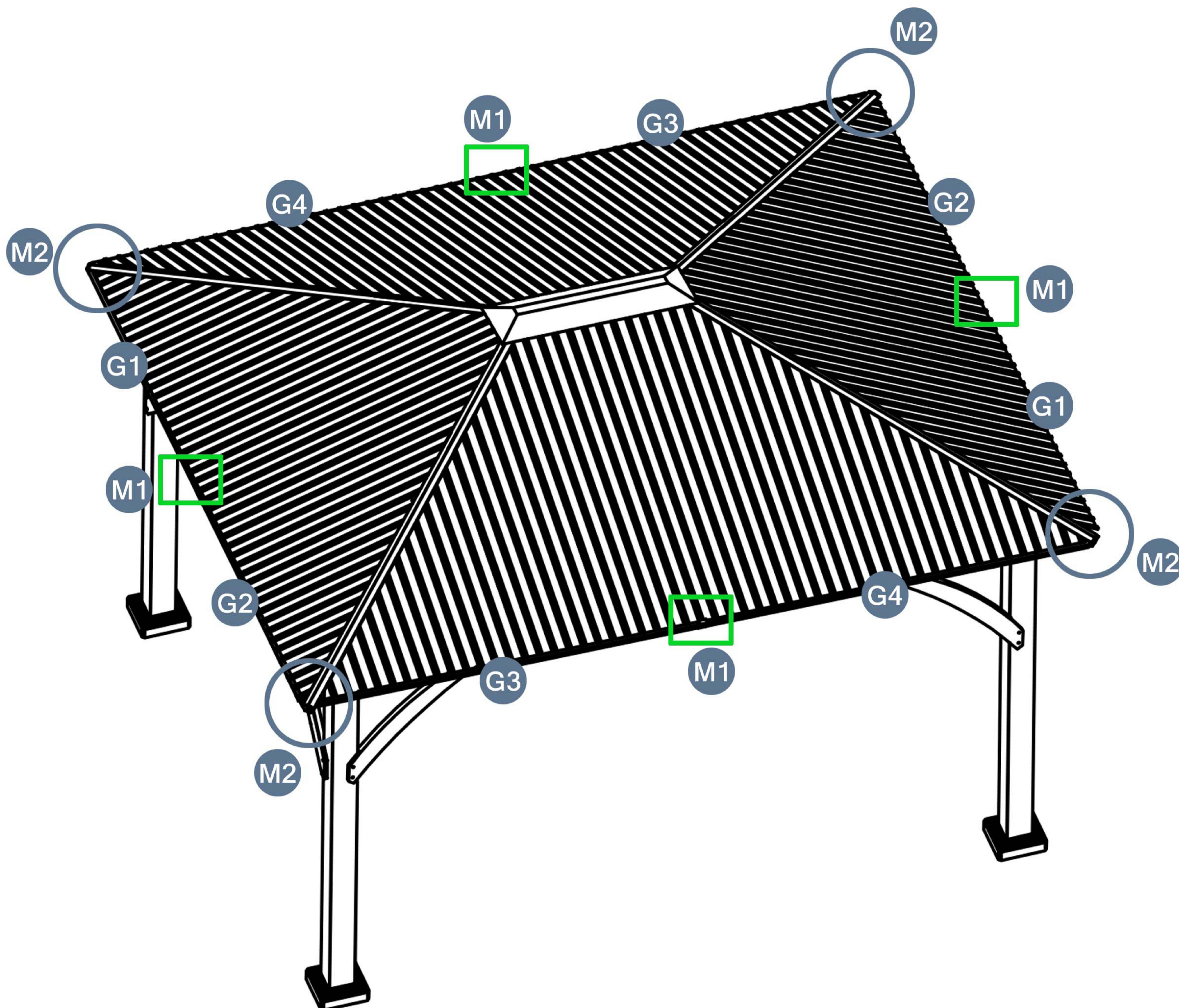
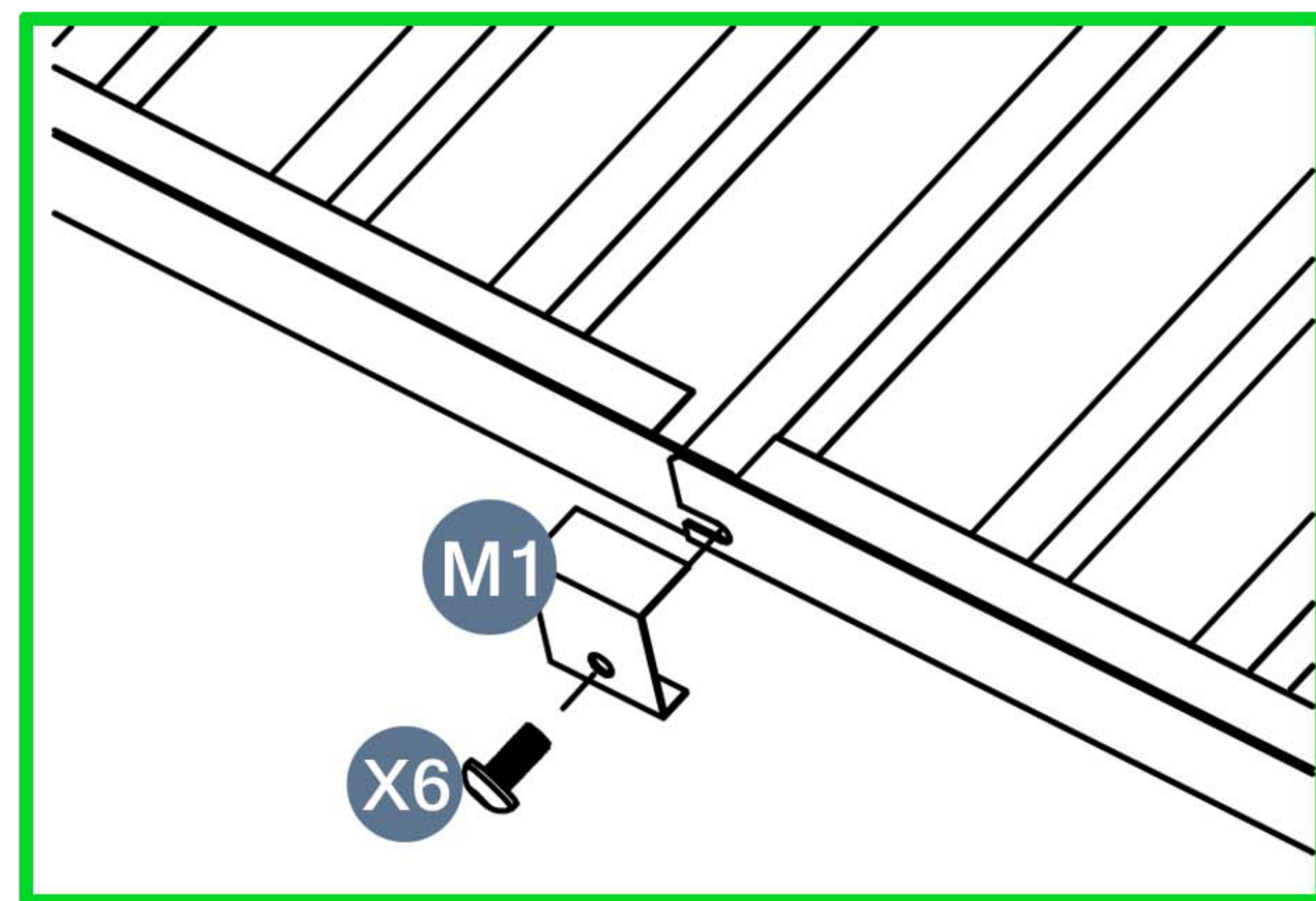
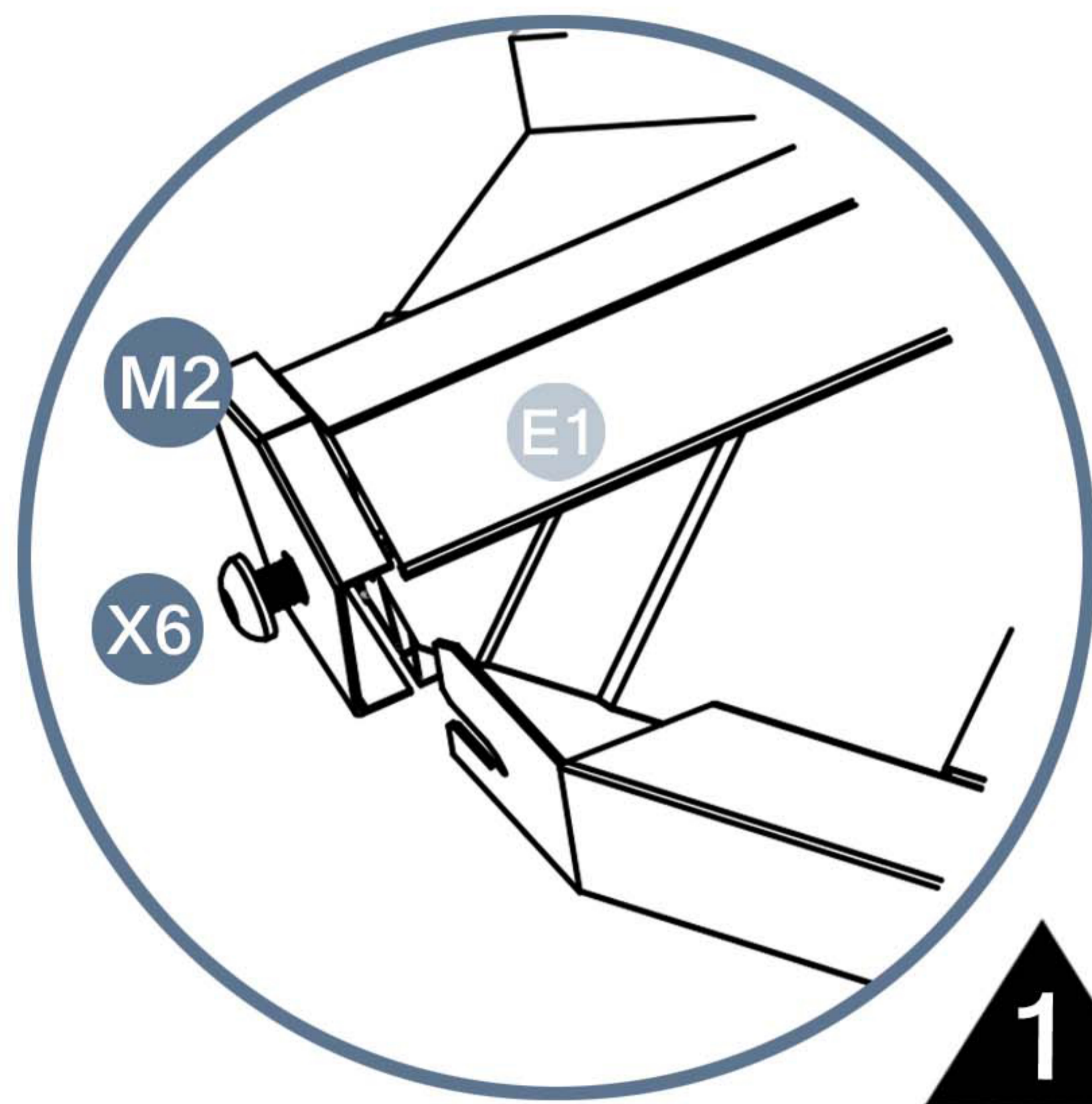
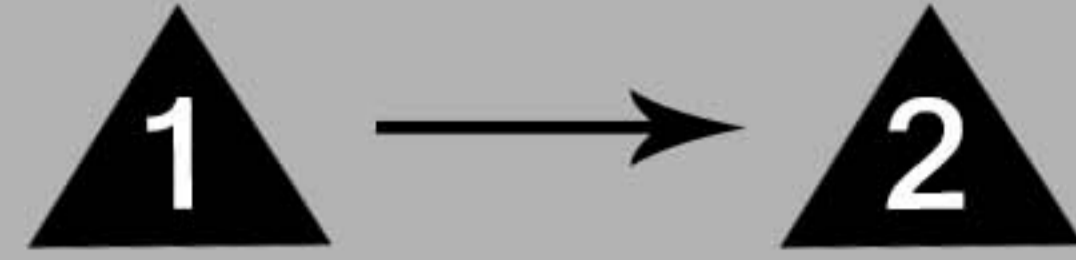
M1 4pcs



M2 4pcs



X6 8pcs



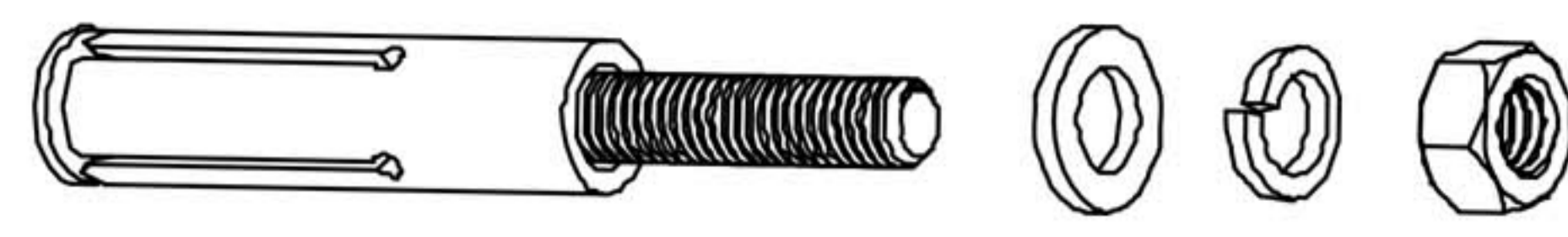
Please take care of the screws and contact the after-sales service if there is any problem with the installation or parts.



E-mail: cs.helper01@gmail.com

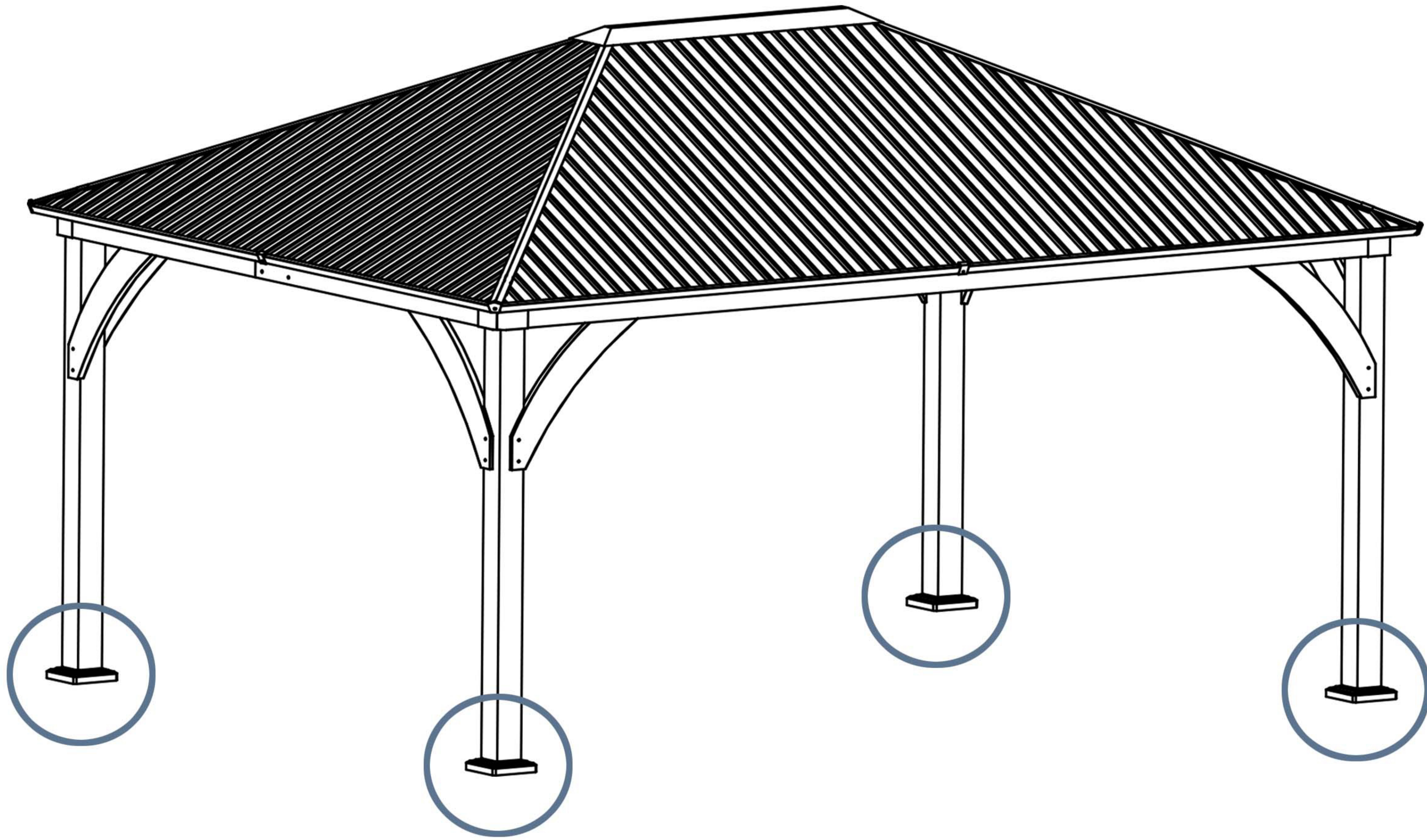
STEP 14

Parts required



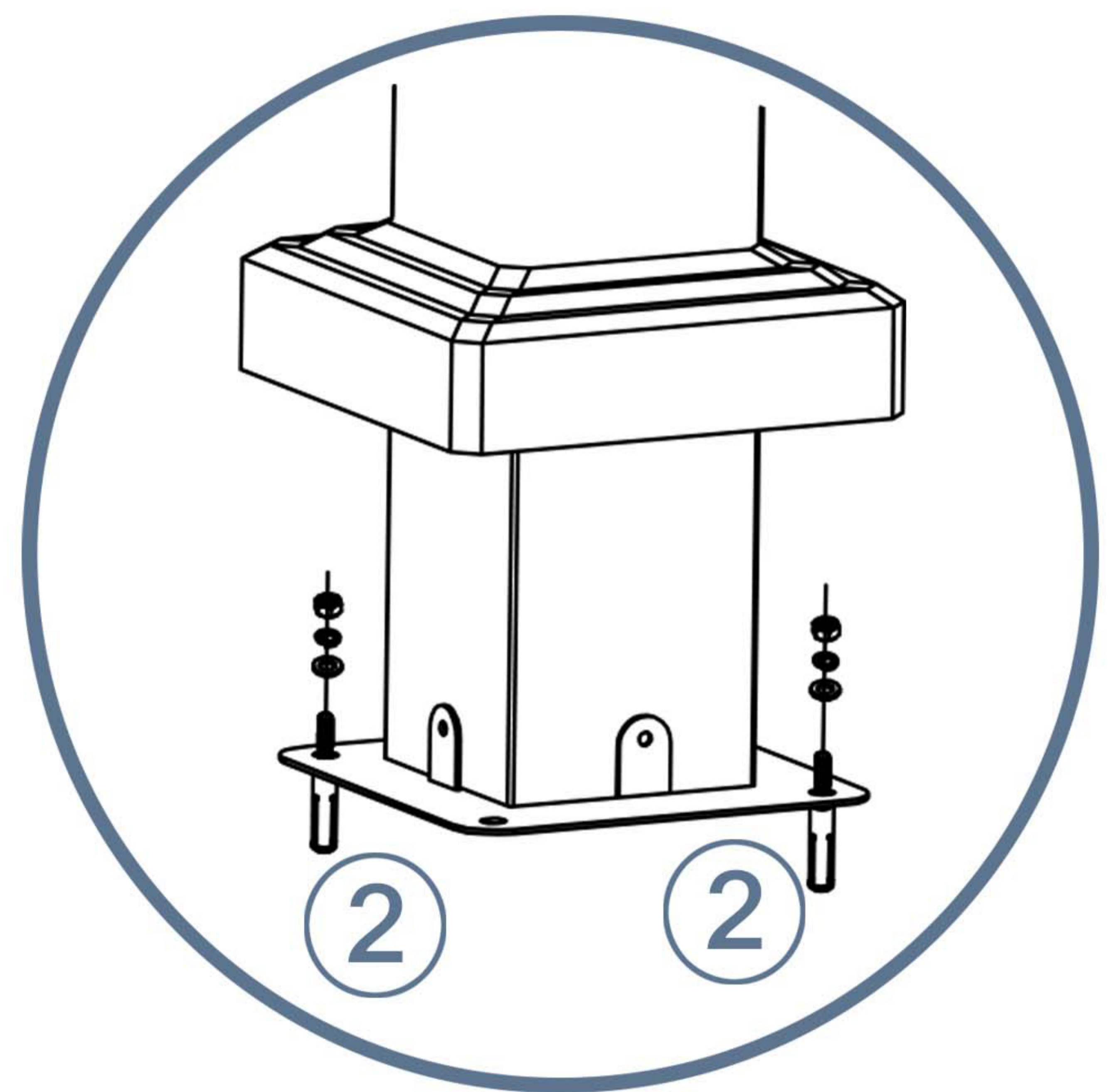
② 8pcs

To improve stability of gazebo, expansion screws very necessary. Expansion screws use for cement surfaces and have included in the package.



!!! For safety's stake, please check and make sure that all screws are tightened after all installation is complete.

Installation Completed



Please take care of the screws and contact the after-sales service if there is any problem with the installation or parts.

➔ ✉ E-mail: cs.helper01@gmail.com

Hope you enjoy this product.

If you have any concerns about gazebo Installation, please feel free to contact us. We will reply within 24 hours.



E-mail: cs.helper01@gmail.com