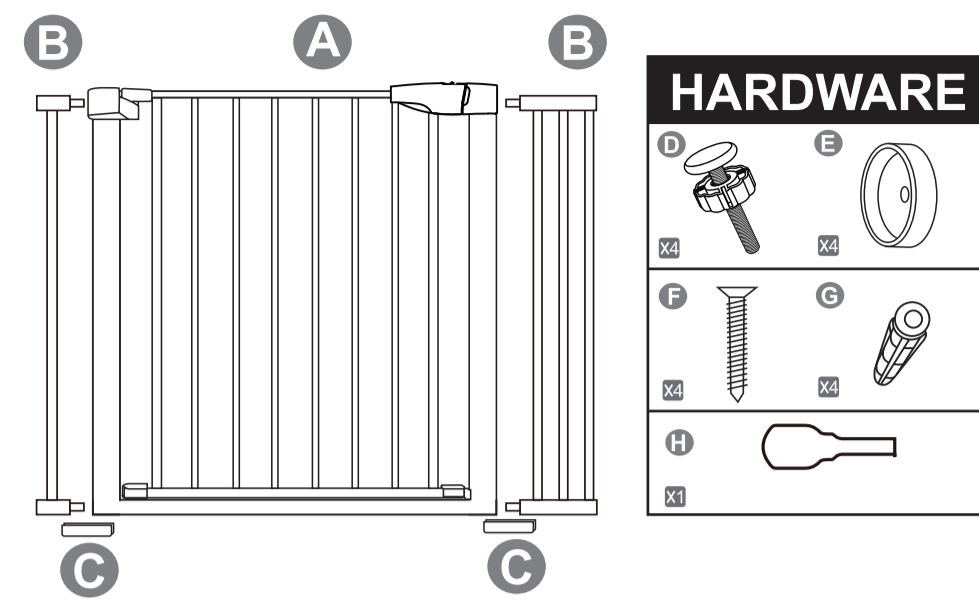


WARNING

- Keep small parts out of the reach of children and pets! This safety gate must not be fitted across windows or other similar openings.
- Do not cut off the belt before installation is completed!
- Adult assembly is required. Exercise care when unpacking and assembling product.
- To prevent serious injury, make sure the gate is securely installed.
- Improper installation could result in the gate becoming unstable or dislodged from the doorway. Always make sure the extension is securely attached to the gate before using.
- Always install and use all required parts as directed.
- Use only when the locking/latching mechanism is securely engaged.
- The position of the safety barrier in relation to the stairs may have an adverse effect on your child's safety. Never use at the top of stairs without hardware mounting.
- Intended for use with children aged 6 to 24 months.
- Never use to keep children away from pools.
- Stop using when a child can climb over or dislodge the gate.
- Always close and lock the gate behind you.
- This product will not necessarily prevent all accidents. Never leave children unattended.
- Please be aware of weak or drywall and paint, we do not recommend installation on these surfaces to avoid property damage and maintain safety.

01

PRODUCT & PARTS



- HARDWARE**
- A Gate Door × 1
 - B Extension × 2
 - C Reinforcement Slot × 2
 - D Tension Bolt × 4
 - E Wall Cup × 4
 - F Screw × 4
 - G Dry Wall Anchor × 4
 - H Wrench × 1

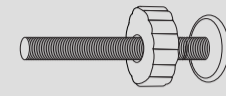
WARNING: This package contains small parts and sharp points in an unassembled state. Keep out of reach of children. Adult assembly required.

02

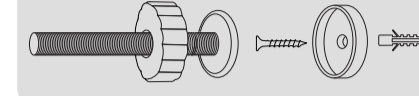
SPECIAL REMINDER BEFORE INSTALLATION

Installation method Optional for Pressure Mounted and Hardware Mounted. Two installation methods, you can choose any one

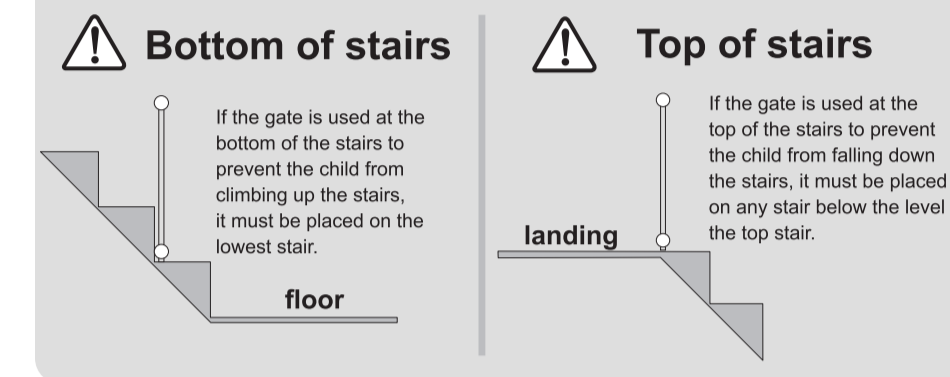
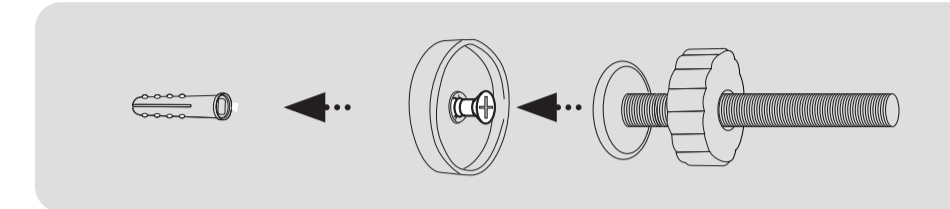
METHOD A Pressure Mounted



METHOD B Hardware Mounted



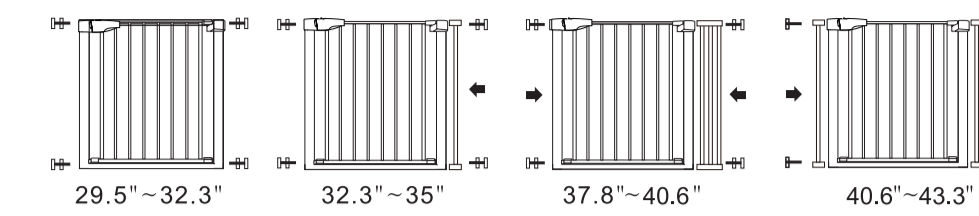
Notice: Screw in mounting cups when using gate on stairs.



03

METHOD A : PRESSURE MOUNTED INSTALLATION

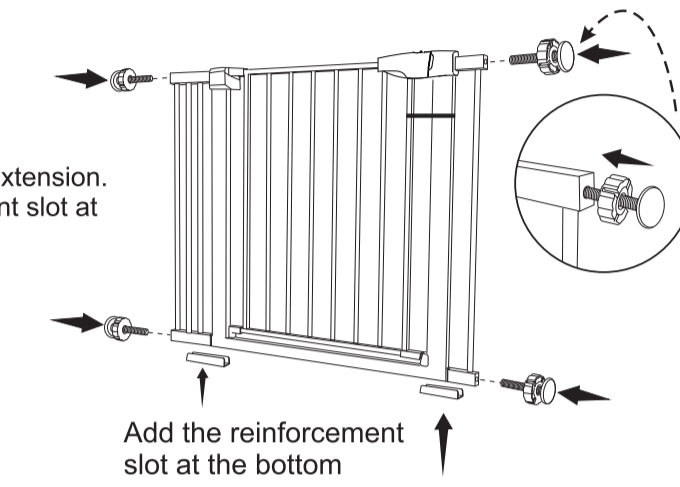
STEP 1



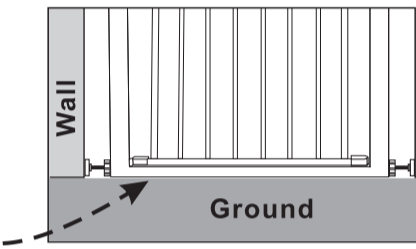
Measure the width of the opening where you intend to install the gate. Please refer to the following diagrams to determine the correct installation configuration.

STEP 2

Insert 4 bolts into 4 corners of the gate/extension. Add the reinforcement slot at the bottom.

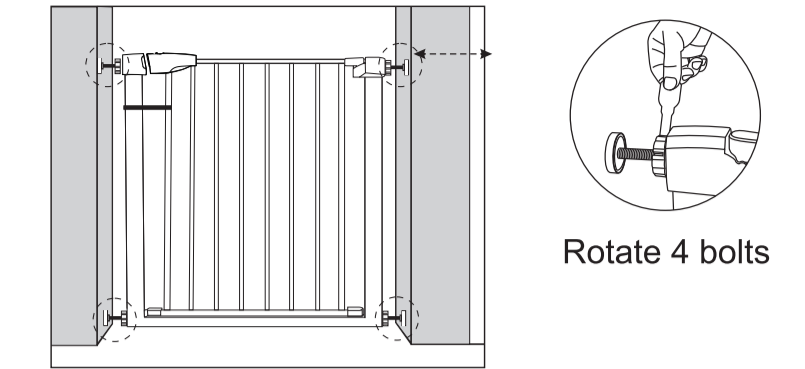


Notice: The bottom of the gate frame must be CLOSE to the floor, do not hang on the ground



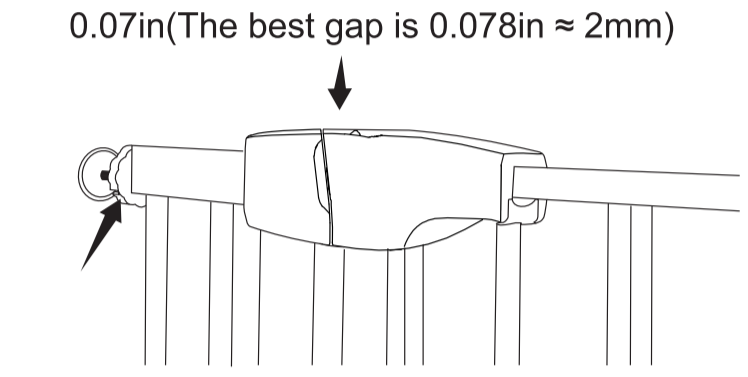
04

STEP 3



Rotate both of the bottom Tension Bolts clockwise at the same time. Note: Make sure the bottom of the gate frame remains completely flat on the floor. Next, Rotate both of the top Tension Bolt clockwise at the same time.

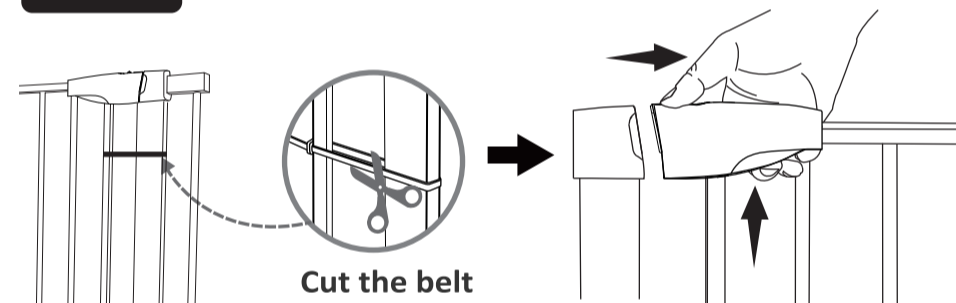
STEP 4



If the door is too tight or not tight enough, you can continue to twist the nut and adjust the door gap to 0.07in.

05

STEP 5

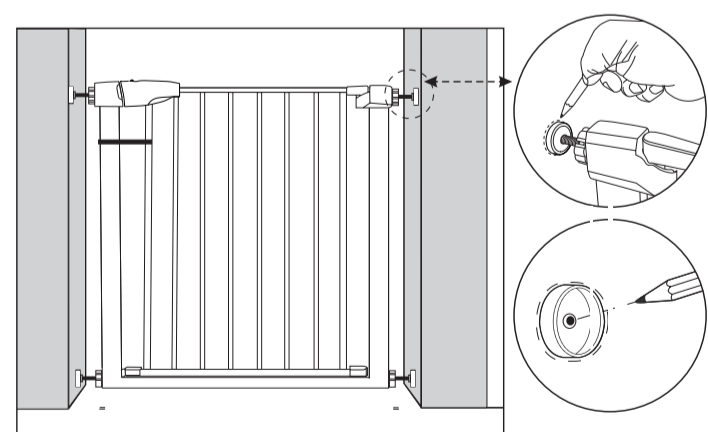


Opening Method:
The top switch needs to be pulled back while lifting the guardrail.

Cut off the belt and test the gate:
1. Push the gate to check stability.
2. Open and close the walk through gate.

METHOD B: HARDWARE MOUNTED INSTALLATION

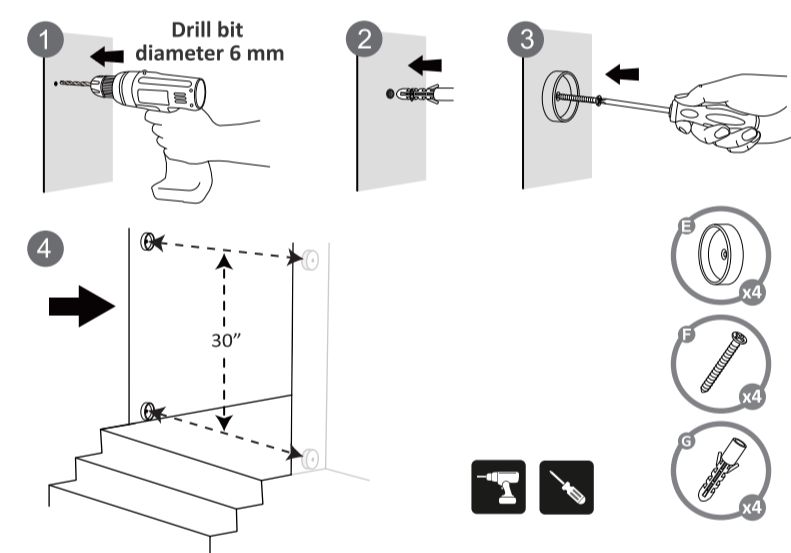
STEP 1



Pre-assemble the gate, and locate four points for hole drilling. Hold the wall cup in position and mark the center with a pencil. Then remove the gate.

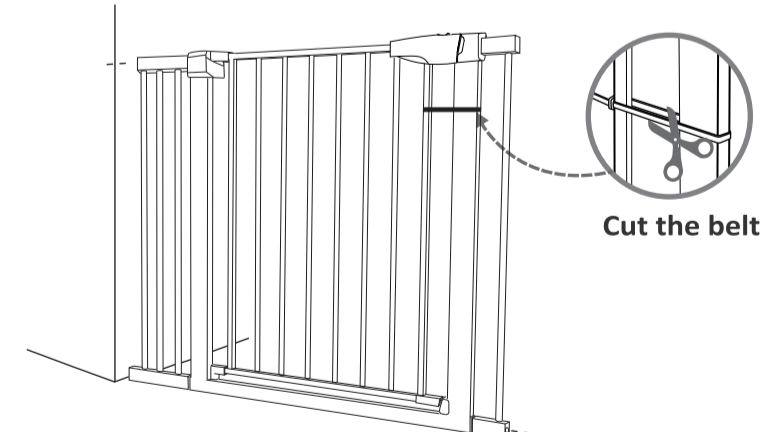
06

STEP 2



According to your markings, drill holes in the corresponding locations, then insert the wall anchors and fix the wall cups with nails.

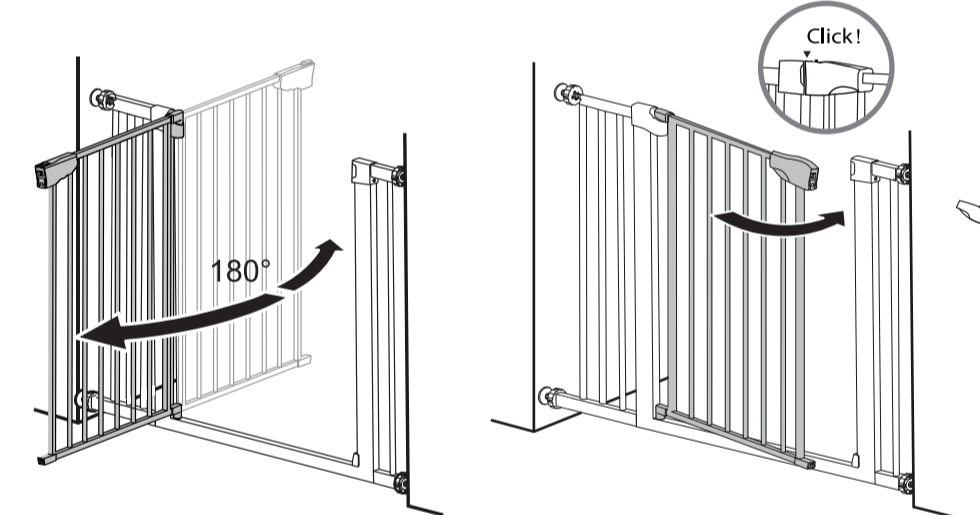
STEP 3



Place the gate in the right position for fixed adjustment, and then cut the belt.

07

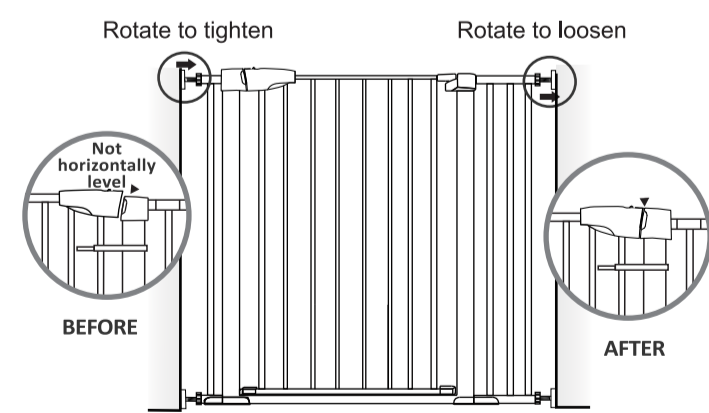
STEP 4



When the door is opened to 180 degrees or less, it will start the automatic closing function.

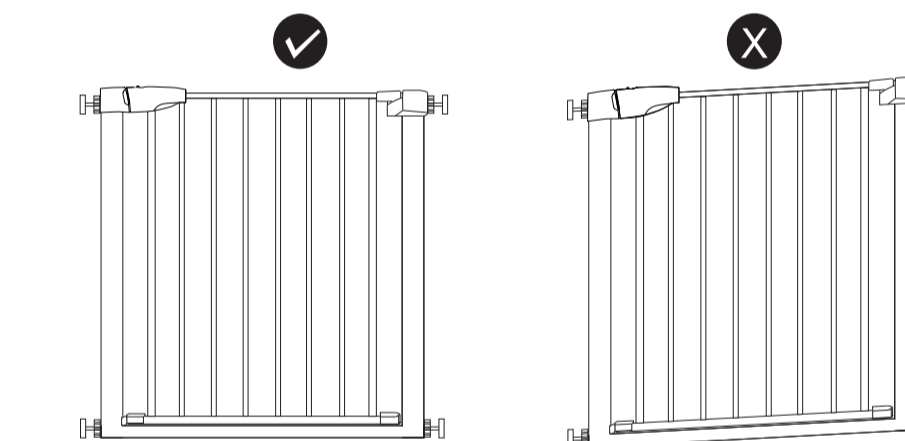
TROUBLE SHOOTING

A: The gate are too tight, or not tight enough.
Solution: Please adjust the door clearance to 0.07in.



08

B: Gate is not properly aligned onto the door frame. Solution: Adjust the gate by loosening all tension bolts and reposition gate. Make sure the gate is properly aligned onto the door frame/door opening. Then re-tighten tension bolts.

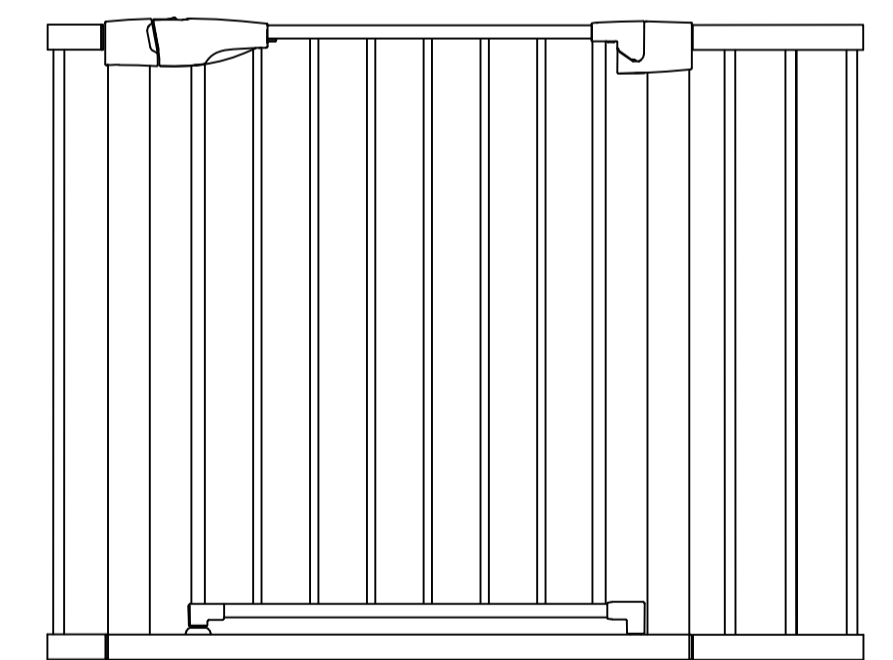


C: If you need to reinstall the gate elsewhere in the future. Solution: Use a rope/belt to tie the guardrail before removing, otherwise you may need the assistance of others to help you install it.

09

cōmomy

SAFETY GATE



WARNING

- READ ALL INSTRUCTIONS BEFORE ASSEMBLY AND USE OF GATE.
- DO NOT CUT OFF THE BELT BEFORE INSTALLATION IS COMPLETED.
- KEEP INSTRUCTIONS FOR FUTURE USE.

品牌

cōmomy



产品名称

SKUD44948说明书

包装尺寸

145*210mm

材质&工艺

157g铜版纸, 过哑膜, 风琴折页

出品



AMZ DESIGN
创造有温度的设计和体验