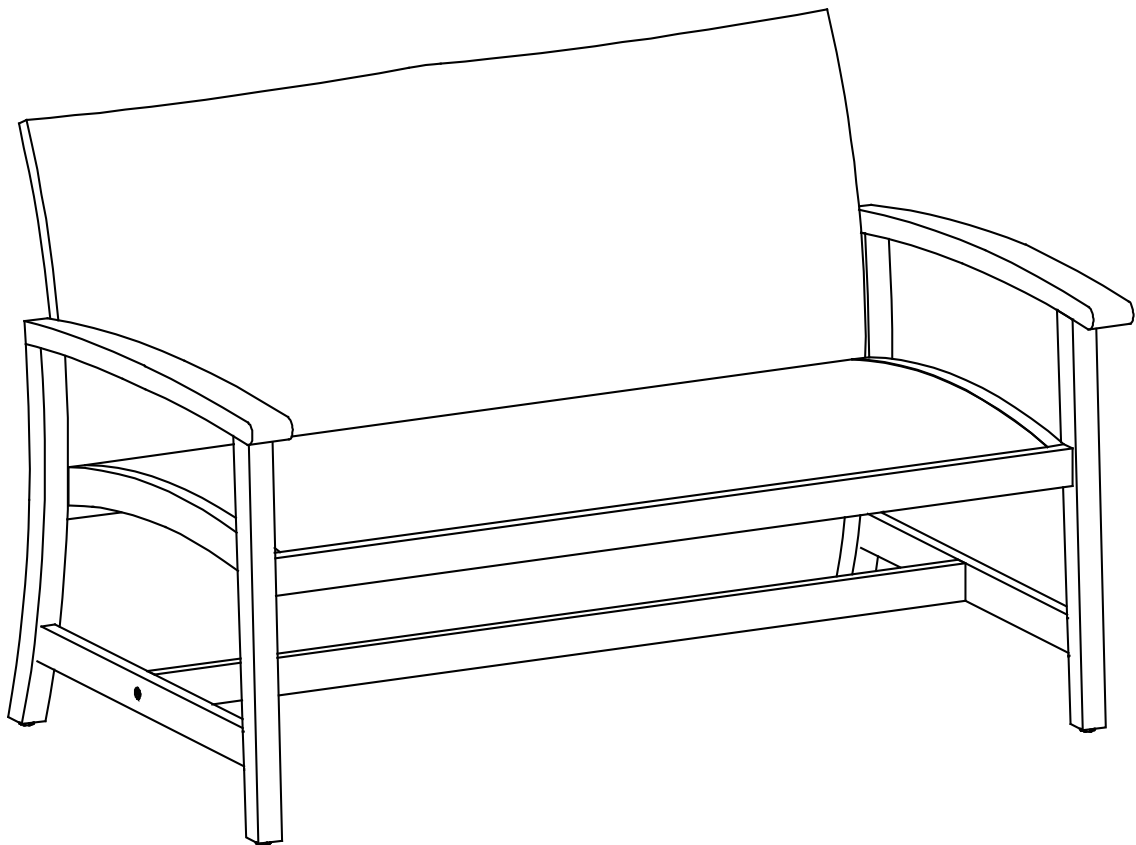


Assembly Instructions

Caution: You must read this before you proceed

Loveseat

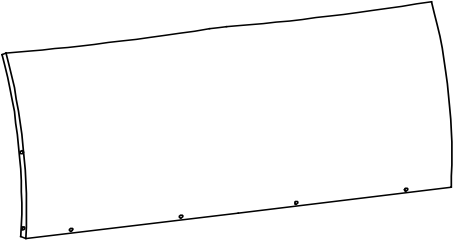
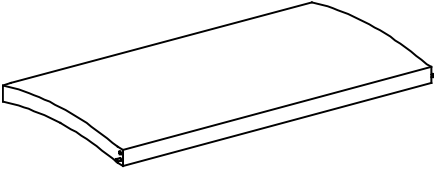
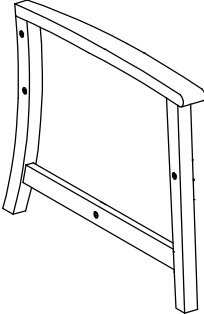
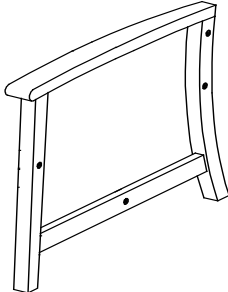
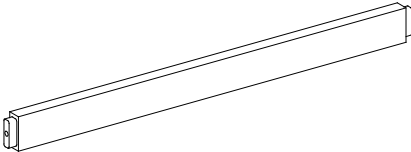


Caution: This Loveseat is NOT a TOY.

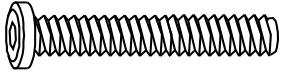




Keep your child/children at bay during the assembly process of assembly.

Whenever lifting/moving the Loveseat and to prevent damage to the Loveseat, two adults are needed to execute these actions

Part List

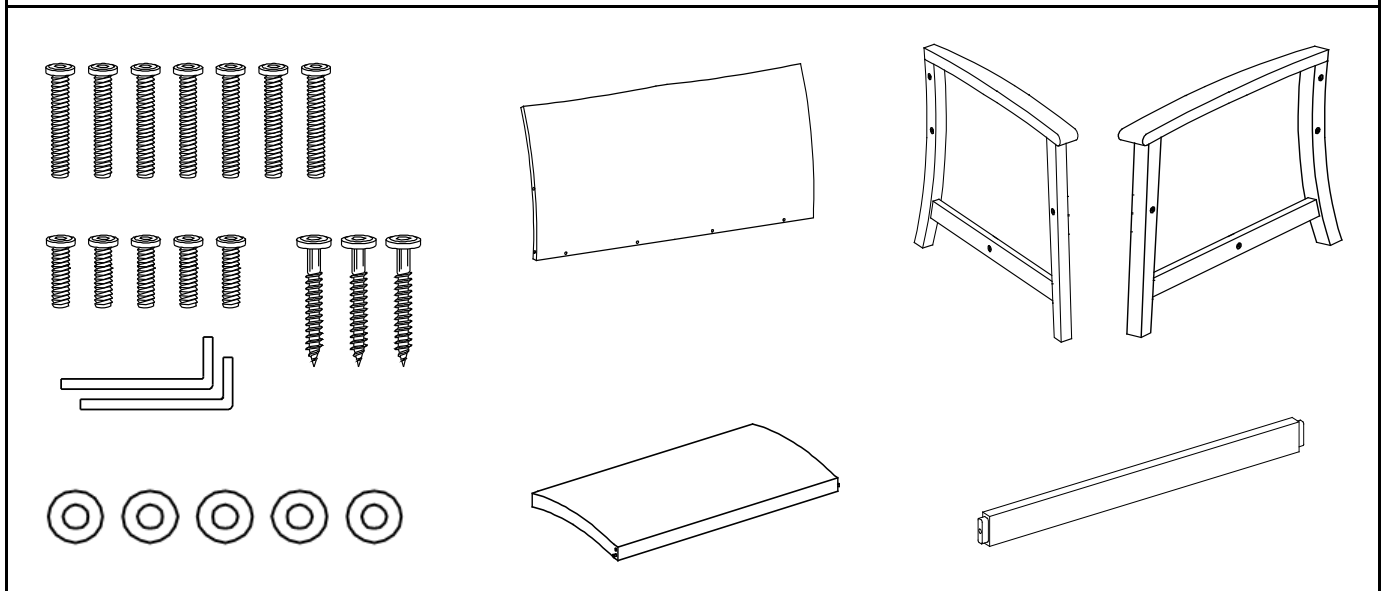
Label	Picture	Description	QTY
A	 A rectangular panel with a slight curve on the left side and several small circular holes along the bottom edge.	Backrest Panel	1
B	 A rectangular panel with a slight curve on the right side and a beveled edge on the bottom.	Seat Panel	1
C	 A wooden frame component consisting of a vertical leg, a horizontal bar, and a curved backrest support, with several circular holes for screws.	Right Leg Panel (with Levellers)	1
D	 A wooden frame component consisting of a vertical leg, a horizontal bar, and a curved backrest support, with several circular holes for screws.	Left Leg Panel (with Levellers)	1
E	 A long, thin rectangular bar with a small notch at one end.	Leg Support Bar	1






Hardware

Label	Picture	Description	QTY
①		Bolt (M8x55mm)	7
②		Bolt (M8x25mm)	5
③		Screw (M7x60 mm)	3
④		Washer (M8/18x1.5mm)	5
⑤		Allen Key	2

Assembly Preparation

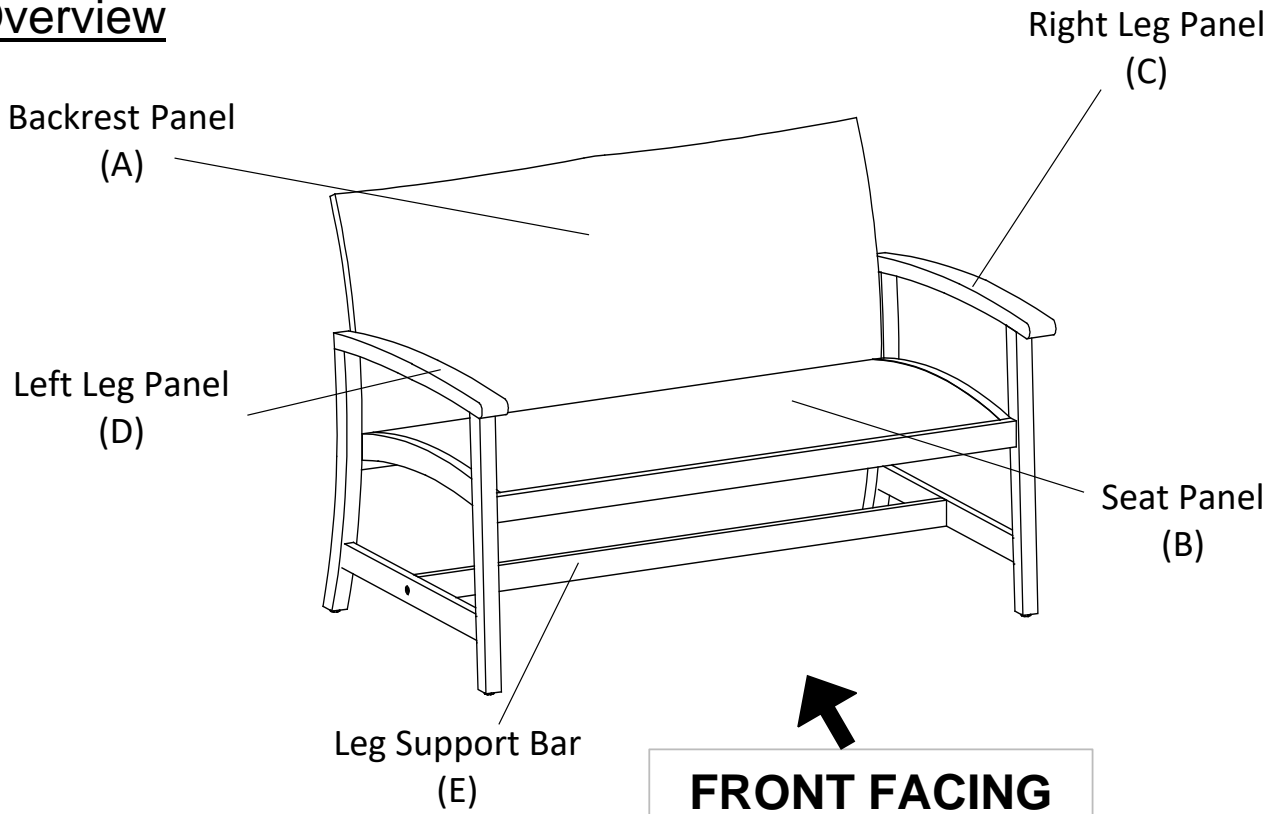
Before Beginning Assembly:



-  • Read instructions, cover to cover-
-  • Have 2 adults on hand for assembly-
-  • Do not assemble on flooring or carpet-
-  • Assemble on a clean non-marring surface (packing foam)-
-  • Save all packaging until finished-

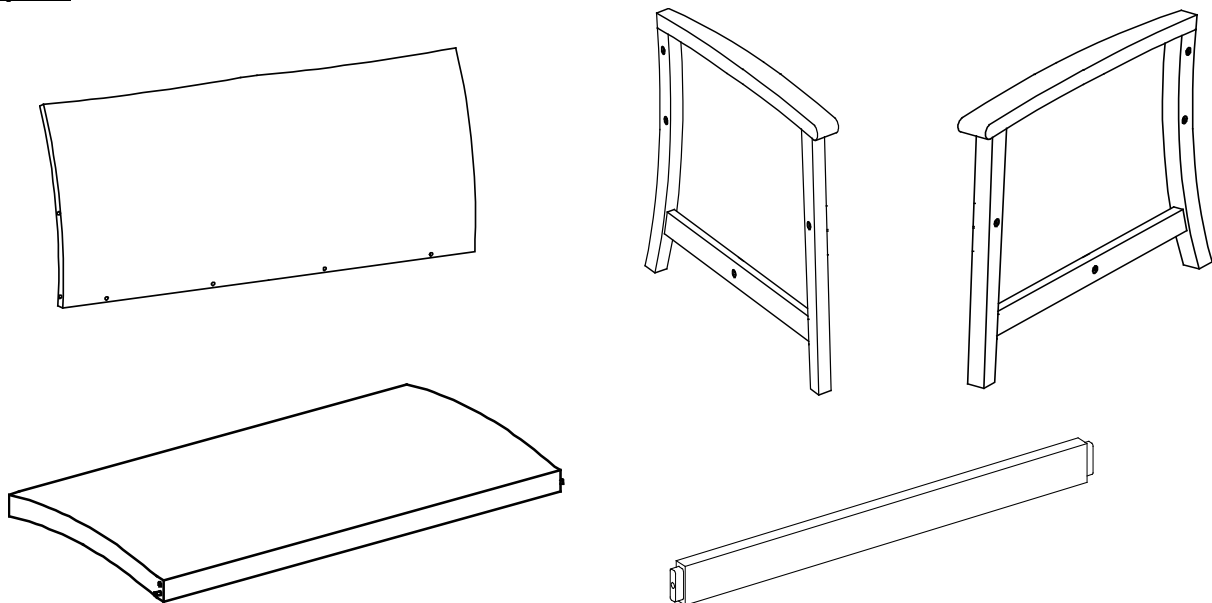
Assembly Steps

Overview



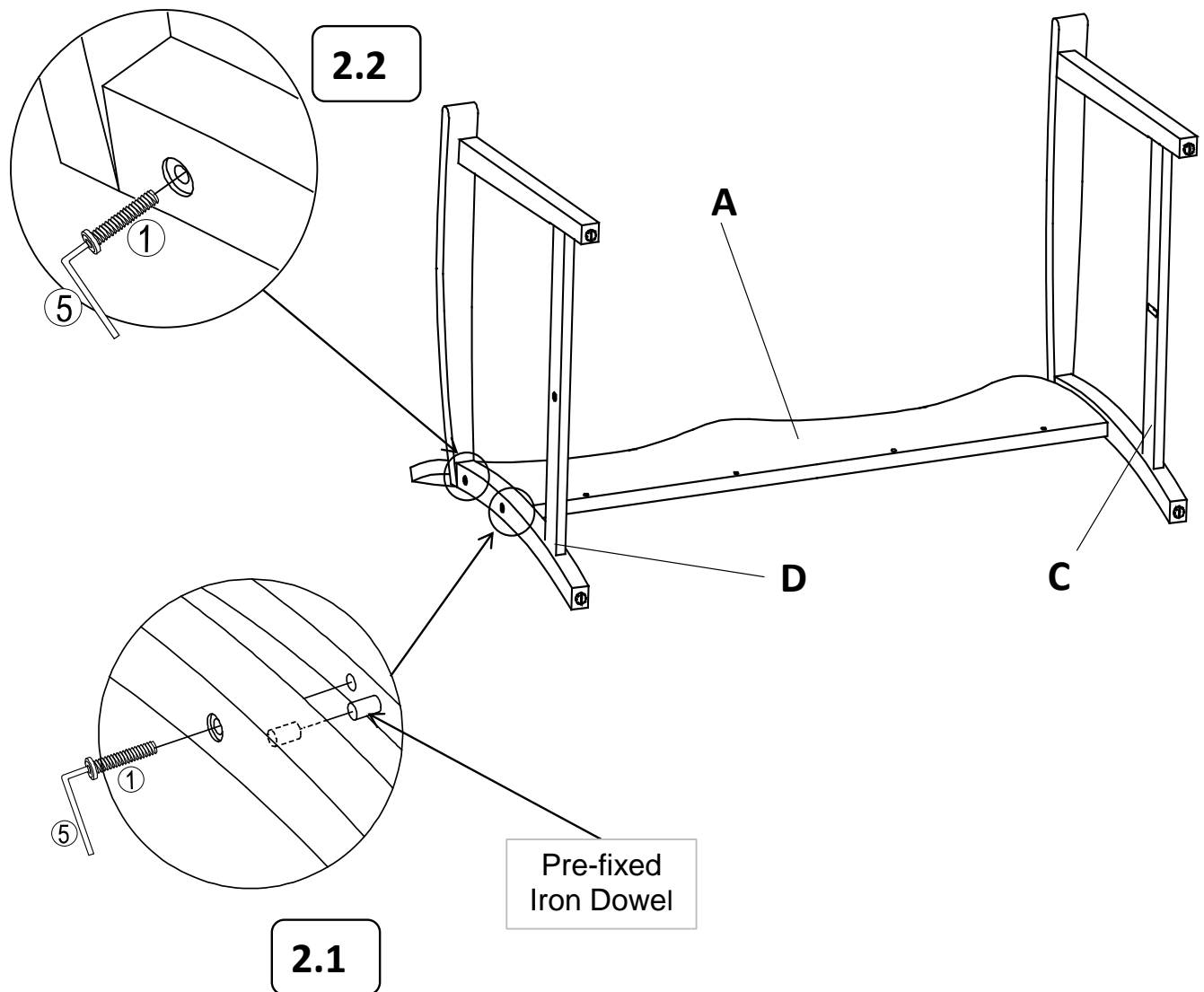
This Loveseat has multiple parts and may require up to 30 minutes to assemble. To give you an overview of the Loveseat parts, the above picture is to help you put the various parts into perspective. Please read through the instructions below to familiarise yourself with the parts and steps before assembly.

Step 1



Unpack and place all parts on a clean, non-marring surface.

Step 2



Lay the Backrest Panel(A) faceup on a clean, non-marring surface.

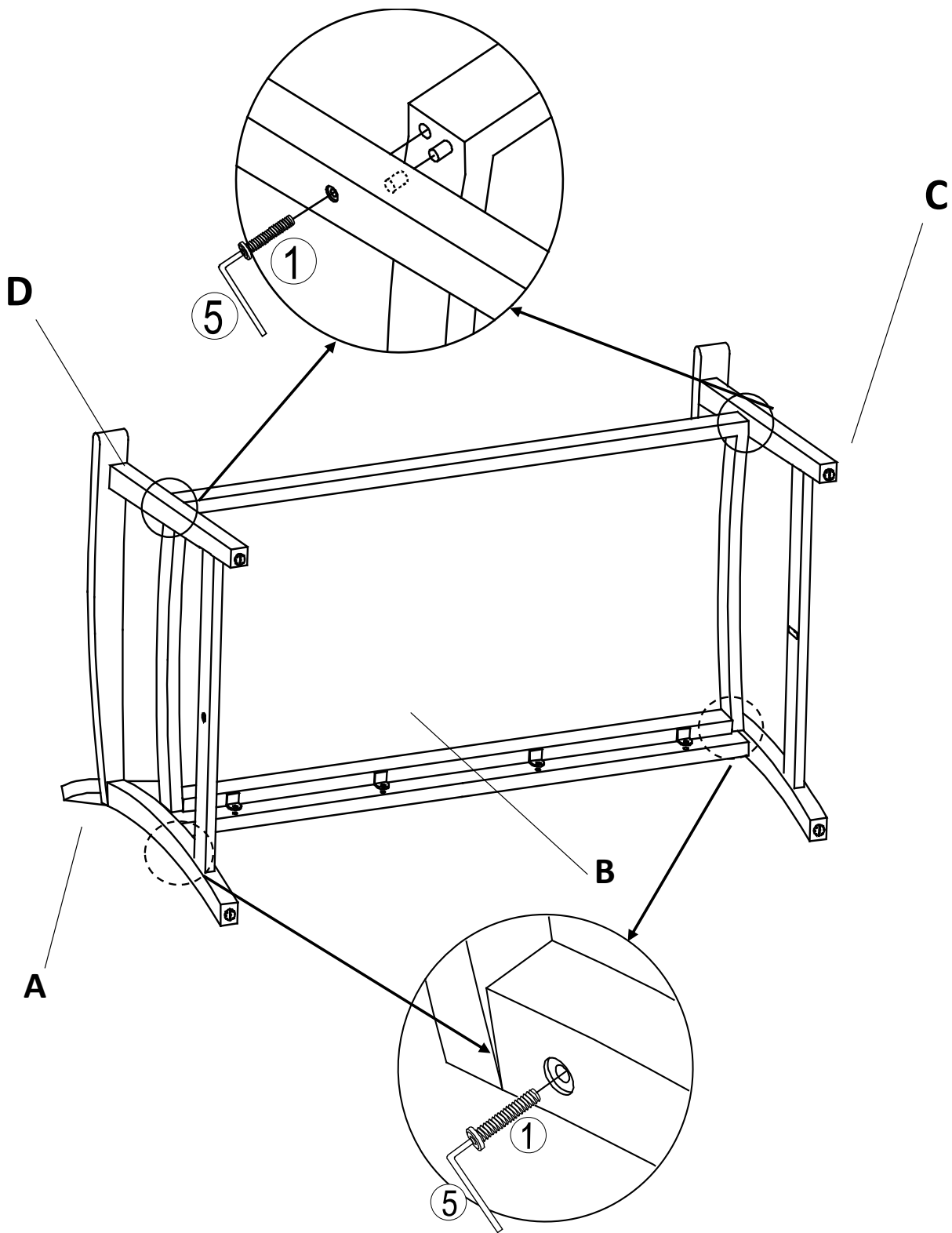
2.1) With assistance from your adult partners, insert housing of Left Leg Panel(D) into pre-fixed iron dowels on Backrest Panel(A) as picture above.

2.2) Attach Left Leg Panel(D) to Backrest Panel(A) using Bolts(①) with Allen Key(⑤).

Do not fully tighten the Bolts.

Repeat the same process to attach Right Leg Panel(C) to Backrest Panel(A).

Step 3

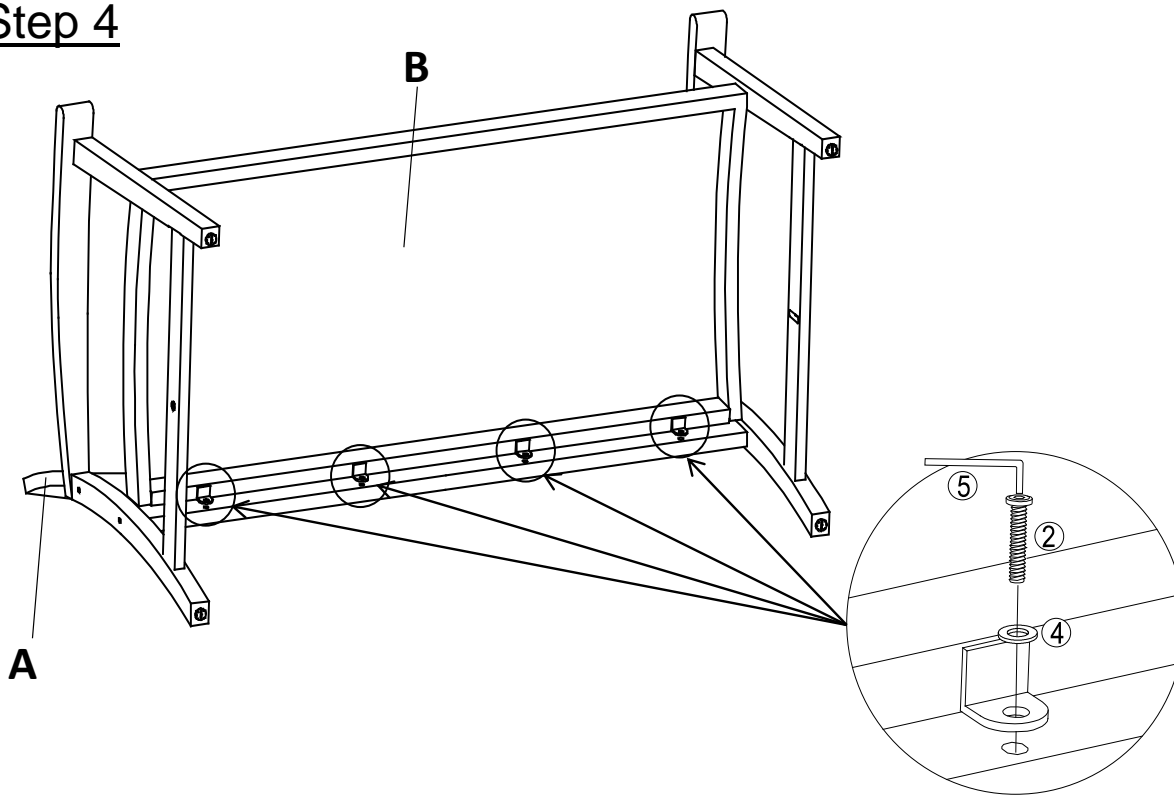


With assistance from your adult partner, put the Seat Panel(B) onto Sofa frame. Insert housings of Seat Panel(B) into pre-fixed iron dowels on Left Leg Panel(D) and Right Leg Panel(C) as picture above.

Attach Seat Panel(B) to Left Leg Panel(D) and Right Leg Panel(C) using Bolts(①) with Allen Key(⑤).

Do not fully tighten all the Bolts

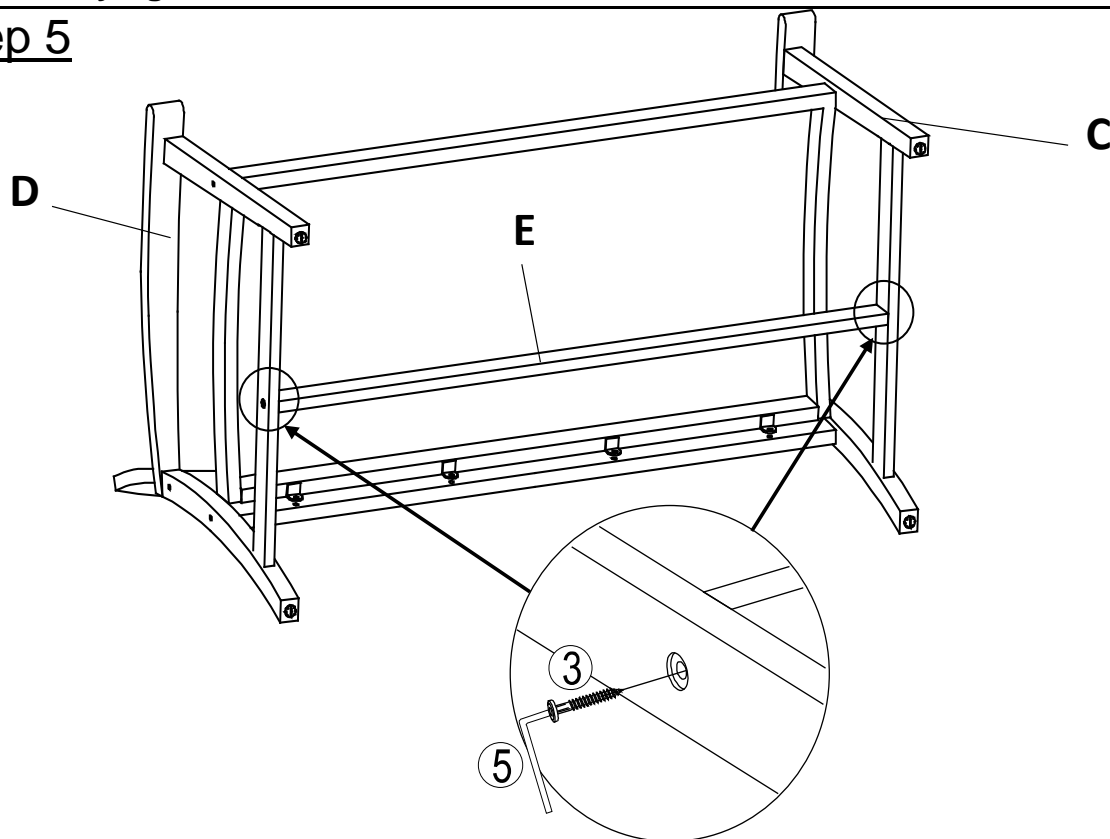
Step 4



Attach Seat Panel(B) to Back Panel(A) using Bolts(②) and Washers(④) with Allen Key(⑤).

Do not fully tighten the Bolts.

Step 5

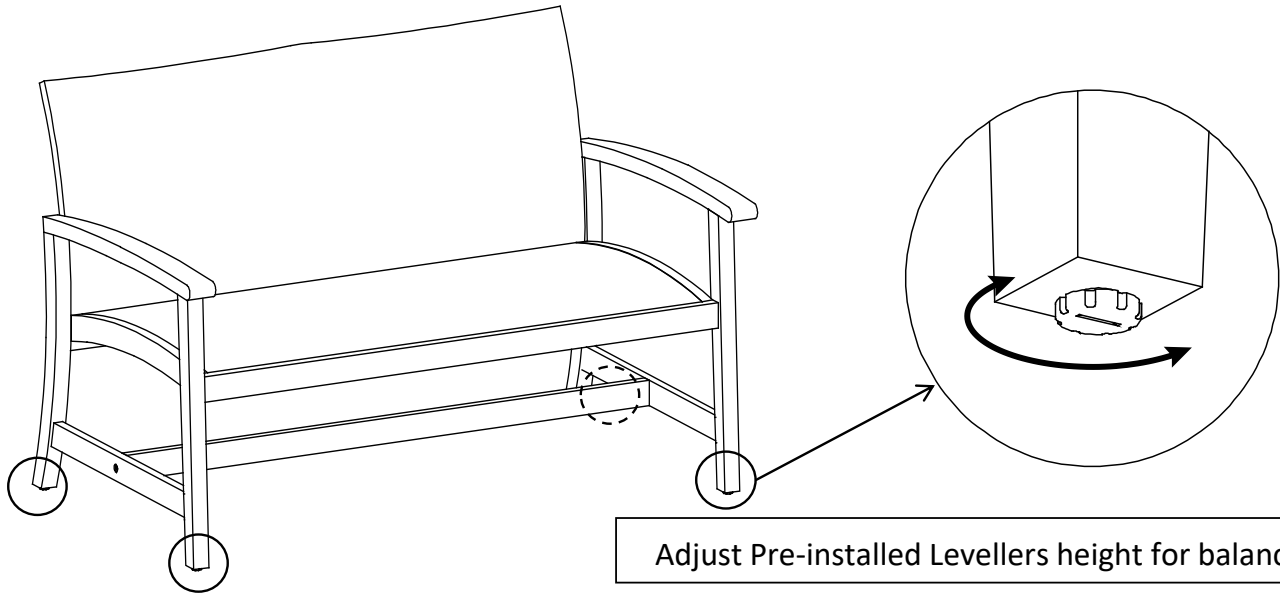


Attach Leg Support Bar(E) to Right Leg Panel(C) and Left Leg Panel(D) using Screws(③) with Allen Key(⑤) as shown above.

Note: You might need to apply a little pressure to the Leg Panels pushing outwards slightly to insert the Leg Support Bar(E).

Do not fully tighten the Screws.

Step 6



With assistance from your adult partners, turn the Loveseat back to normal flat ground.

Place the Loveseat on a **LEVEL** surface.

Inspect it and make sure all parts are adequately connected.

Gently and gracefully, sit onto the Loveseat.

This pressure will help to align all the parts at all joint areas.

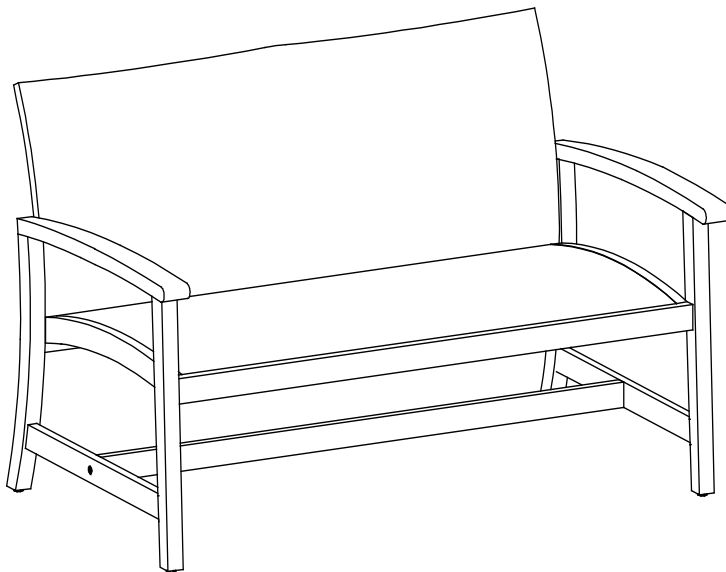
Then tighten the Bolts and Screws in a sequential manner, until evenly secured.

When tightening the Bolts and Screws tighten sequentially.

Adjust the Levellers until the Loveseat is level with the ground.

To adjust the Levellers, get assistance from an adult partner to lift/lean and hold the Loveseat while you are working.











Step 7



Your Loveseat is ready for use

This Loveseat can be used on a flat, level surface

Care & Maintenance

-  Do not put hot items directly on furniture surface
 -  Do not clean furniture with harsh cleansers or polish.
 -  To obtain the longest lifespan of your outdoor products, minimizing exposure to direct sunlight is recommended.
 -  Children should not climb or jump on the furniture.
 -  Do not write on furniture without a padded barrier to protect the surface.
 -  To obtain the longest lifespan of your outdoor products, avoid extended and lengthy exposure to rain, snow, and direct sunshine. Whenever possible cover the product and /or place under patio or awnings.
 -  Not for commercial use. For residential use only .
 -  Stains may be removed with mild soap solution and damp cloth.
 -  Keep away from sources of ignition.
-
-  Dust and pick-up spills using a clean, non-colored, lint-free cloth.