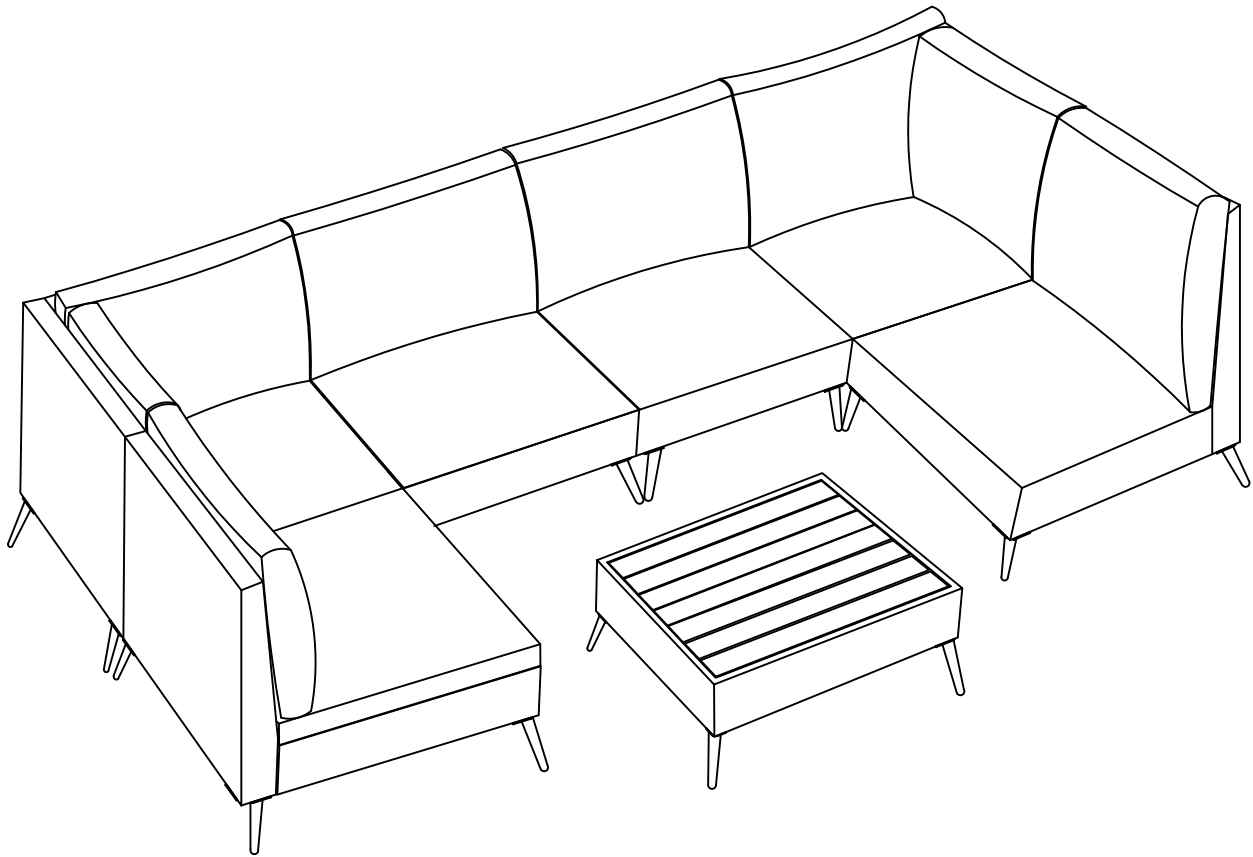


7 PCS RATTAN SOFA SET



ATTENTION:

A. Please check the manual carefully and make sure you have received all the parts.

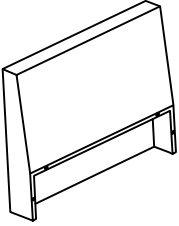
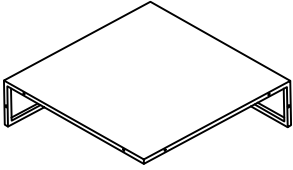
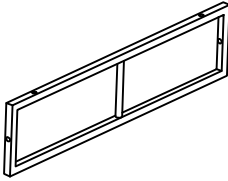

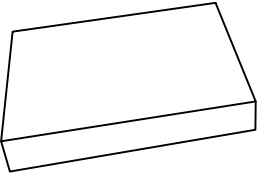
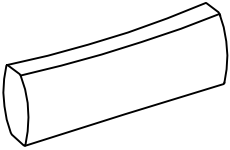
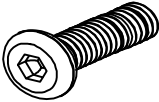
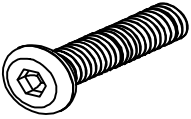
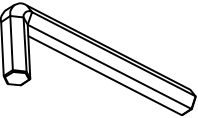
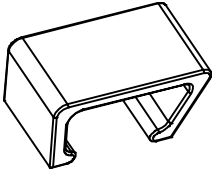
B. If there is any missing, please let us know the letter of the parts you need.

C. If there is any damage, please send clear photos to us, we will check and offer you the best solution soon.

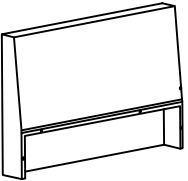
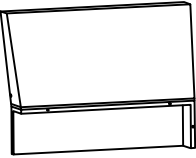
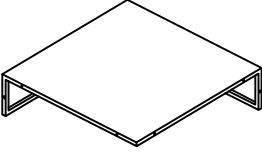

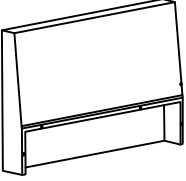
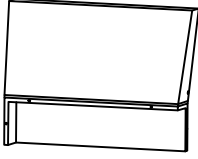
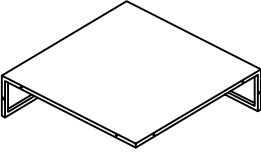
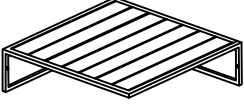
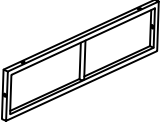
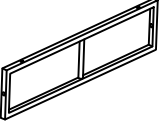
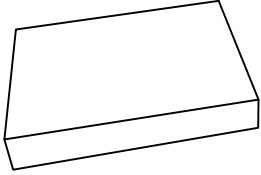
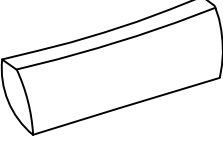
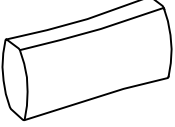
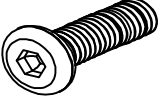
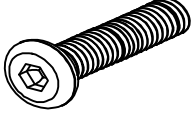
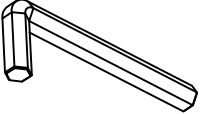
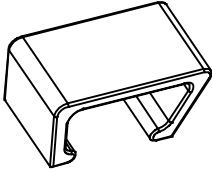
► **TIPS:** The cushion in the box is vacuum-packed. Once the vacuum-sealed packaging is opened, the product cannot be returned or replaced, as it is impossible to repackage it to its original state!

Please unpack the vacuum packaging with caution. Thank you for your understanding.

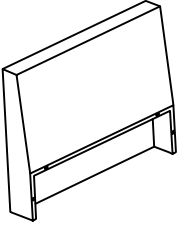
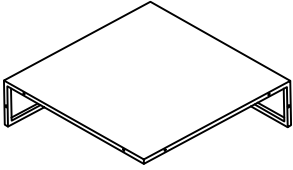
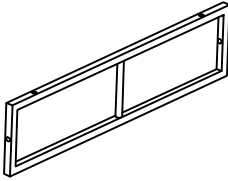

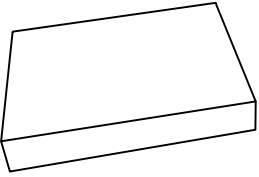
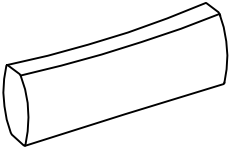
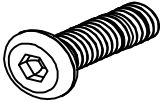
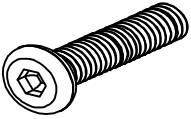
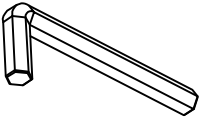
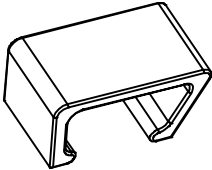
PARTS LIST OF BOX A

<p>H</p>  <p>BACK REST 2pcs</p>	<p>L</p>  <p>SEAT BOARD 2pcs</p>	<p>N</p>  <p>SIDE SEAT 2pcs</p>	<p>D</p>  <p>LEG 8pcs</p>
<p>P</p>  <p>SEAT CUSHION 2pcs</p>	<p>Q</p>  <p>BACK CUSHION 2pcs</p>	<p>a1</p>  <p>SCREW M6*15 32pcs</p>	<p>a2</p>  <p>SCREW M6*35 14pcs</p>
<p>a3</p>  <p>Spanner(W) x 1 1pc</p>	<p>a4</p>  <p>3pcs</p>		

PARTS LIST OF BOX B

<p>A</p>  <p>LEFT ARMREST 1pc</p>	<p>B</p>  <p>LEFT BACK SEAT 1pc</p>	<p>C</p>  <p>LEFT SEAT BOARD 1pc</p>	<p>D</p>  <p>LEG 12pcs</p>
<p>E</p>  <p>RIGHT ARMREST 1pc</p>	<p>F</p>  <p>RIGHT BACK SEAT 1pc</p>	<p>G</p>  <p>RIGHT SEAT BOARD 1pc</p>	<p>M</p>  <p>COFFEE TABLE BOARD 1pc</p>
<p>R</p>  <p>LONG SIDE COFFE ETABLE 1pc</p>	<p>O</p>  <p>SHORT SIDE COFFEE TABLE 1pc</p>	<p>S</p>  <p>CORNER SEAT CUSHION 2pcs</p>	<p>Q</p>  <p>BACK CUSHION 2pcs</p>
<p>T</p>  <p>ARMREST CUSHION 2pcs</p>	<p>a1</p>  <p>SCREW M6*15 48pcs</p>	<p>a2</p>  <p>M6*35 23pcs</p>	<p>a3</p>  <p>Spanner(W) 1pcs</p>
<p>a4</p>  <p>4pcs</p>			

PARTS LIST OF BOX C

<p>H</p>  <p>BACK REST 2pcs</p>	<p>L</p>  <p>SEAT BOARD 2pcs</p>	<p>N</p>  <p>SIDE SEAT 2pcs</p>	<p>D</p>  <p>LEG 8pcs</p>
<p>P</p>  <p>SEAT CUSHION 2pcs</p>	<p>Q</p>  <p>BACK CUSHION 2pcs</p>	<p>a1</p>  <p>SCREW M6*15 32pcs</p>	<p>a2</p>  <p>SCREW M6*35 14pcs</p>
<p>a3</p>  <p>Spanner(W) x 1 1pc</p>	<p>a4</p>  <p>3pcs</p>		

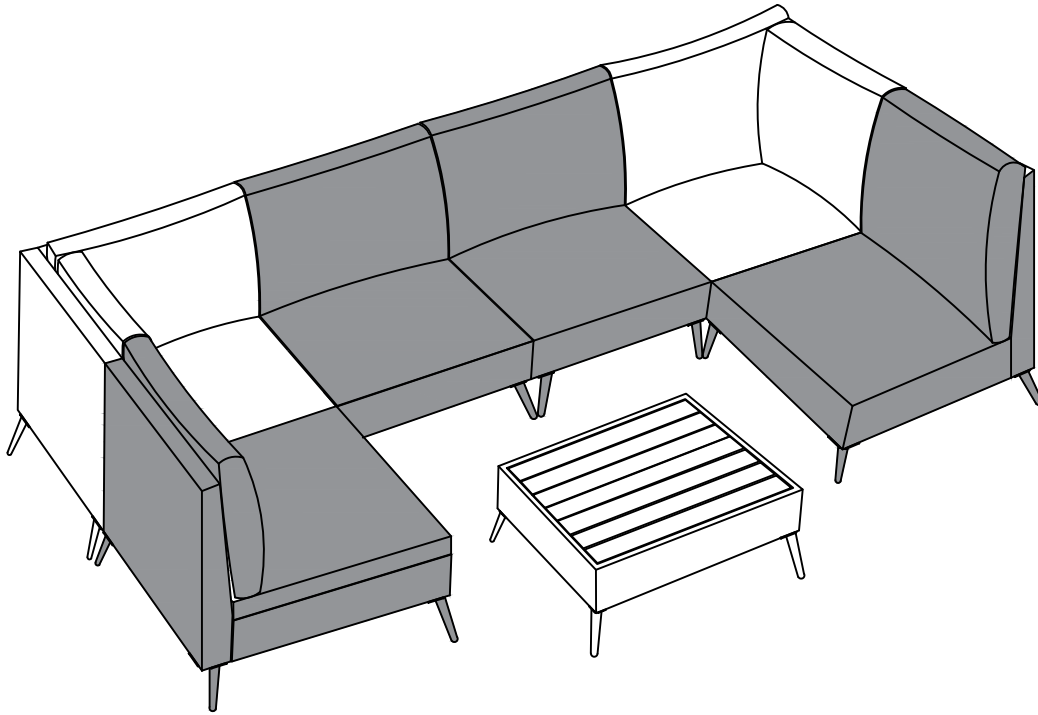
ASSEMBLY GUIDE

Thank you for shopping from us!

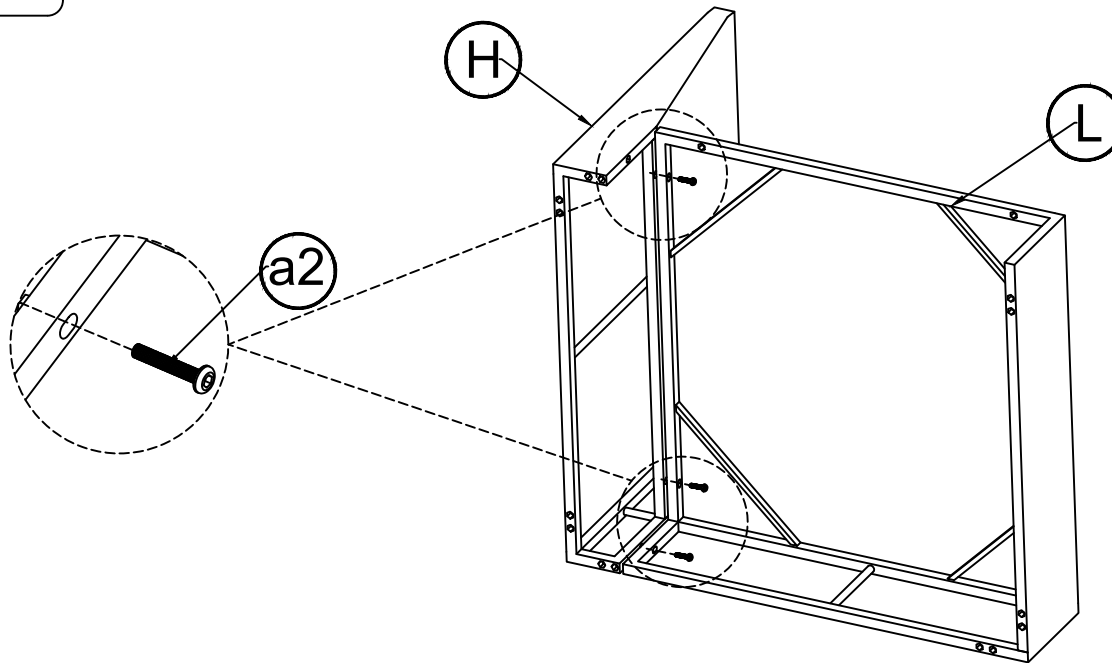
- To ensure a smooth installation and optimal use of this product, please carefully read the precautions and detailed operation instructions in this manual. We hope you have a great experience!
- This assembly guide includes the Part List, Installation Steps, and Warning Tips.
- To ensure your package arrives safely and intact, this item will be shipped in 3 boxes. Please check your package upon receipt.

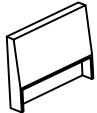
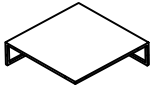


Contact us:

- If you have any questions, please contact our customer service staff immediately. We will reply to your message within 24 hours.
1. Go to Your Orders.
 2. Find your order in the list.
 3. Select Problem with order.
 4. Choose your topic from list displayed.
 5. Select Contact seller.



STEP 1

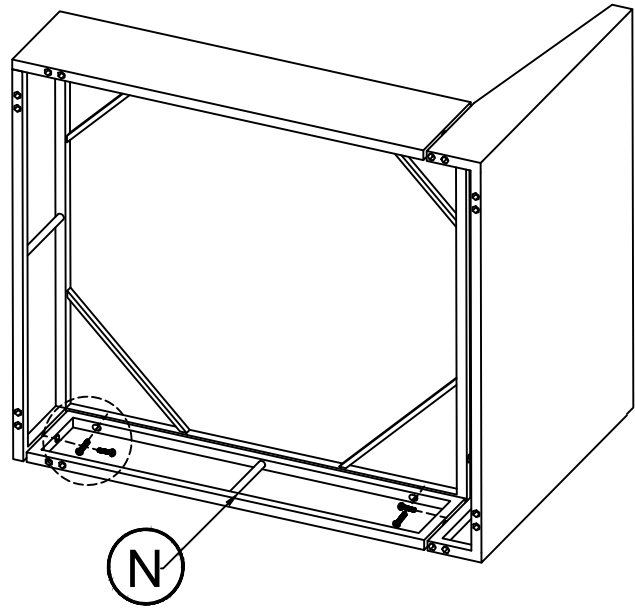
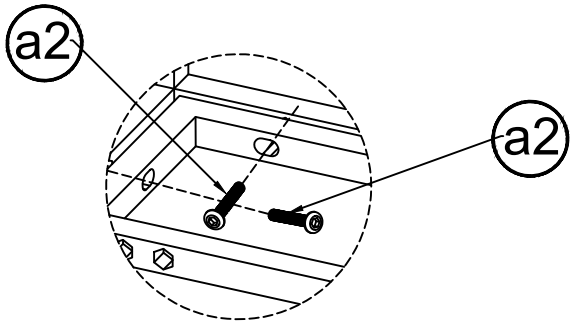


H	1pc	L	1pc	a2	3pcs	a3	1pc
							
				M6*35			

Do not fully tighten all screws until assembly is completed.

STEP 2

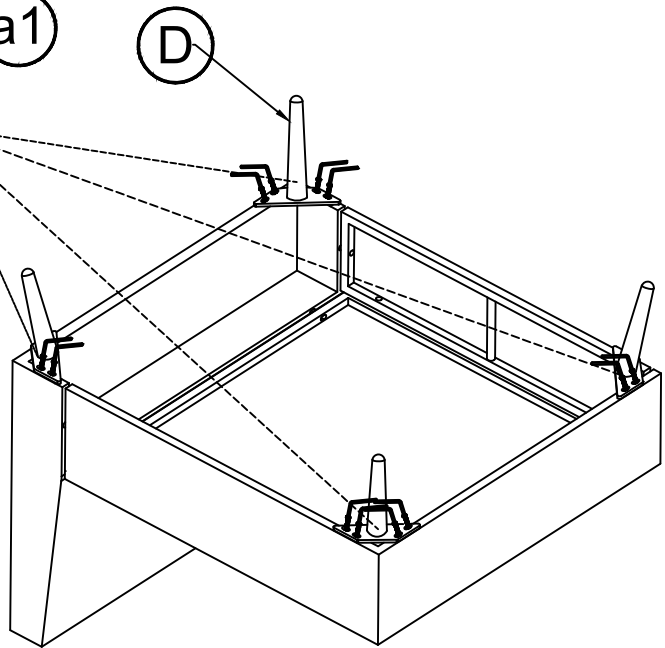
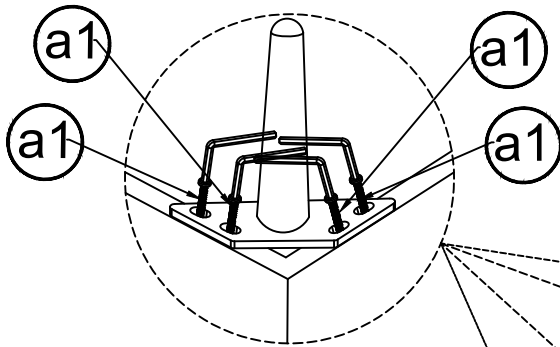
x4



N	1pc	a2	4pcs	a3	1pc
		M6*35			

STEP 3

x4

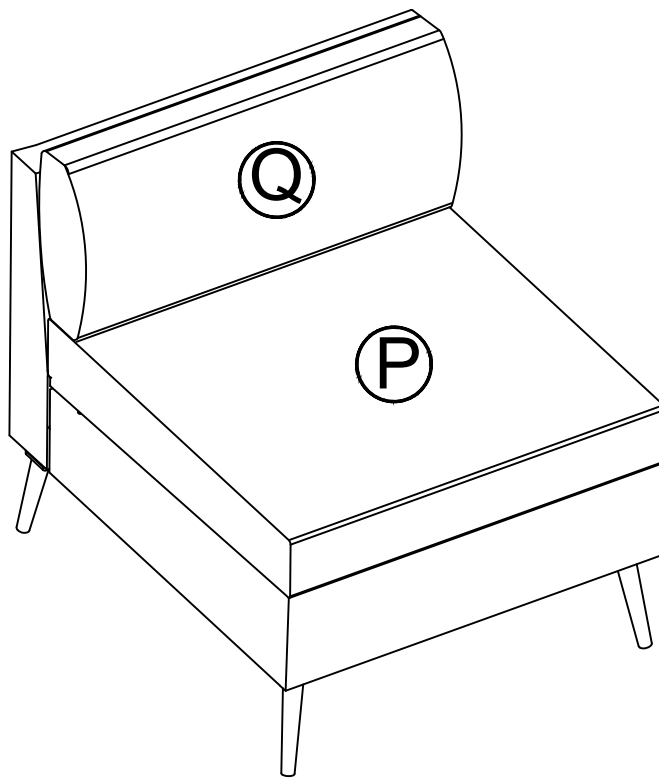


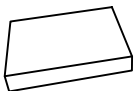
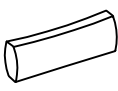
D	4pcs	a1	16pcs	a3	1pc
		M6*15			

Do not fully tighten all screws until assembly is completed.

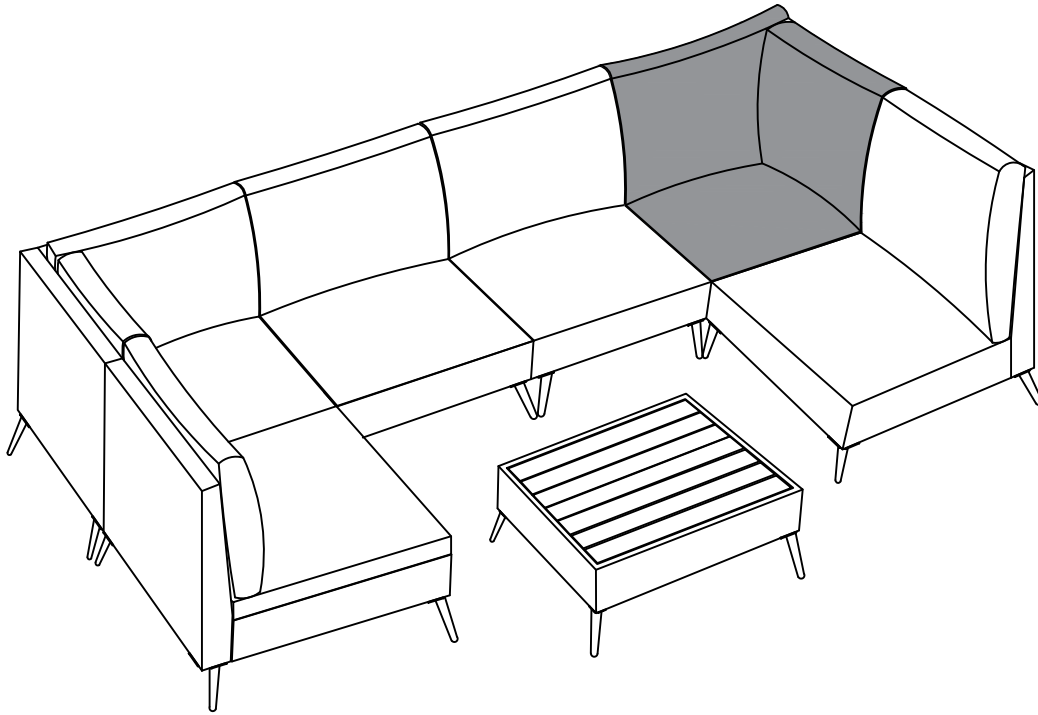
STEP 4

x4

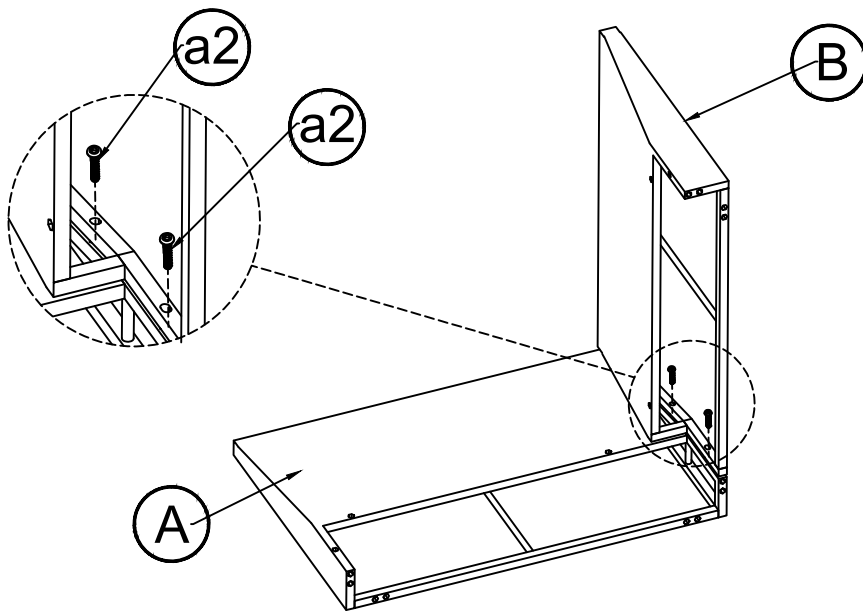






P	1pc	Q	1pc
			

Do not fully tighten all screws until assembly is completed.



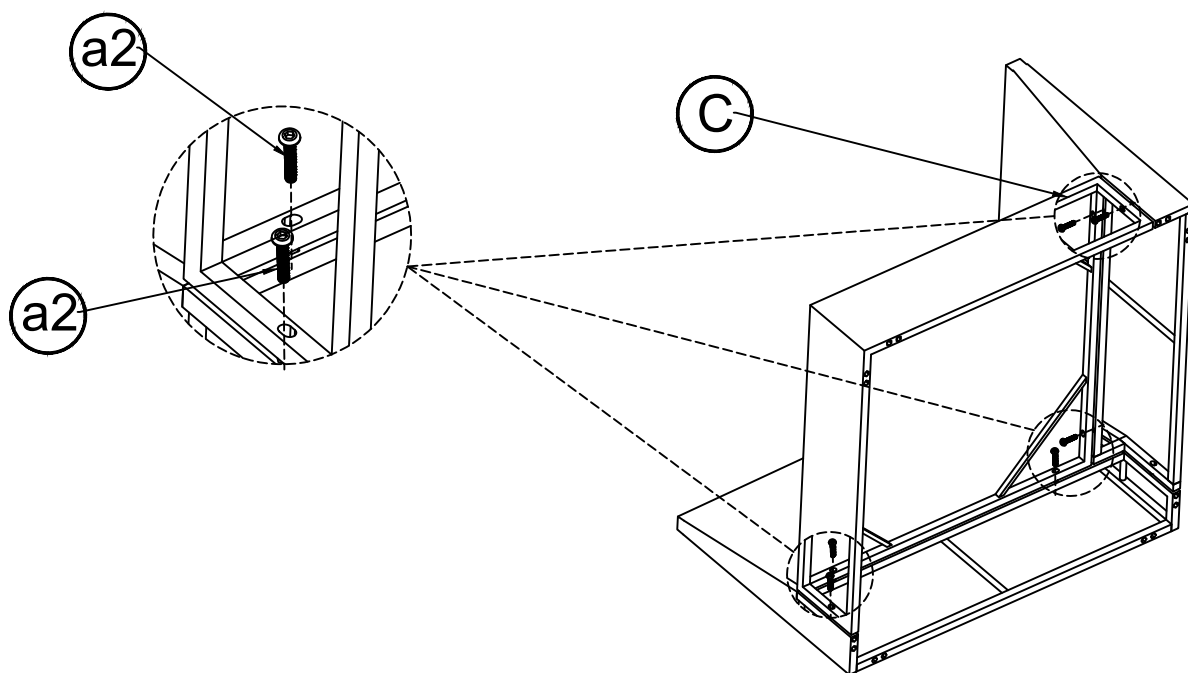
STEP 1



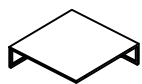
A	1pc	B	1pc	a2	2pcs	a3	1pc
							
				M6*35			

Do not fully tighten all screws until assembly is completed.

STEP 2



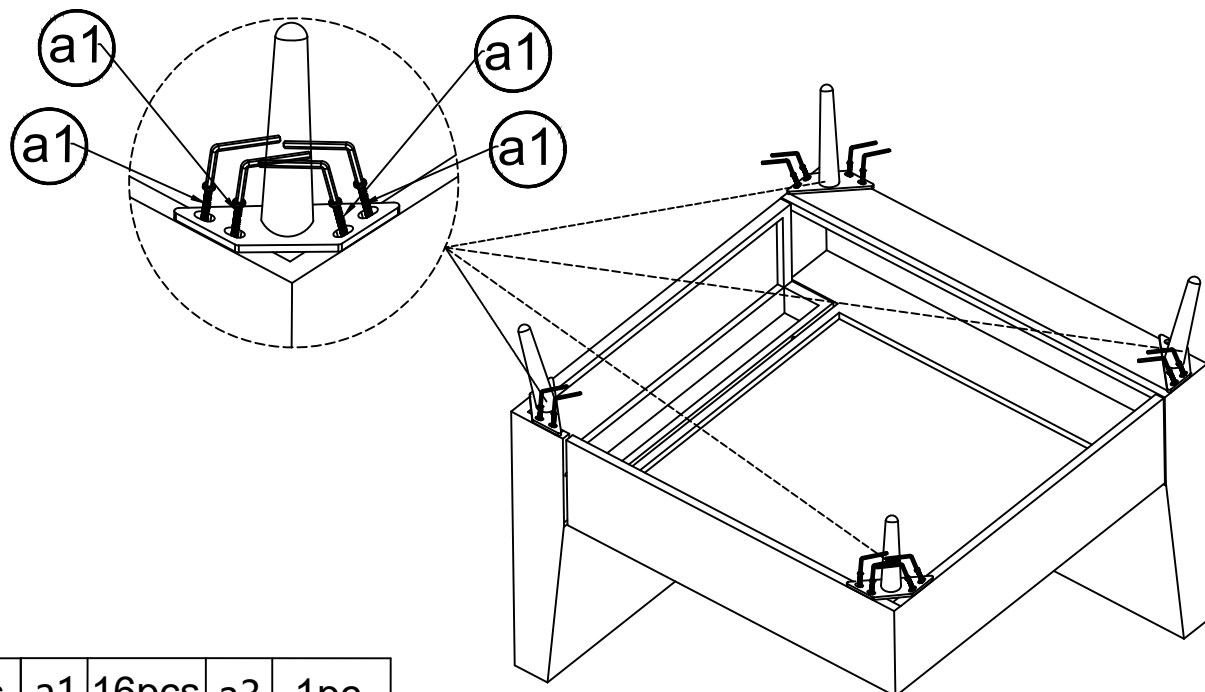
C	1pc	a2	6pcs	a3	1pc
---	-----	----	------	----	-----



M6*35



STEP 3



D	4pcs	a1	16pcs	a3	1pc
---	------	----	-------	----	-----

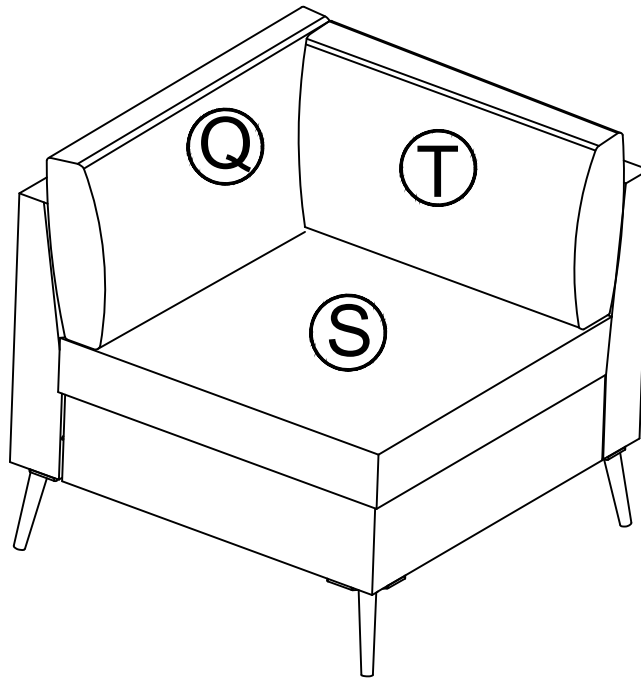


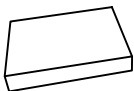

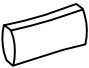
M6*15



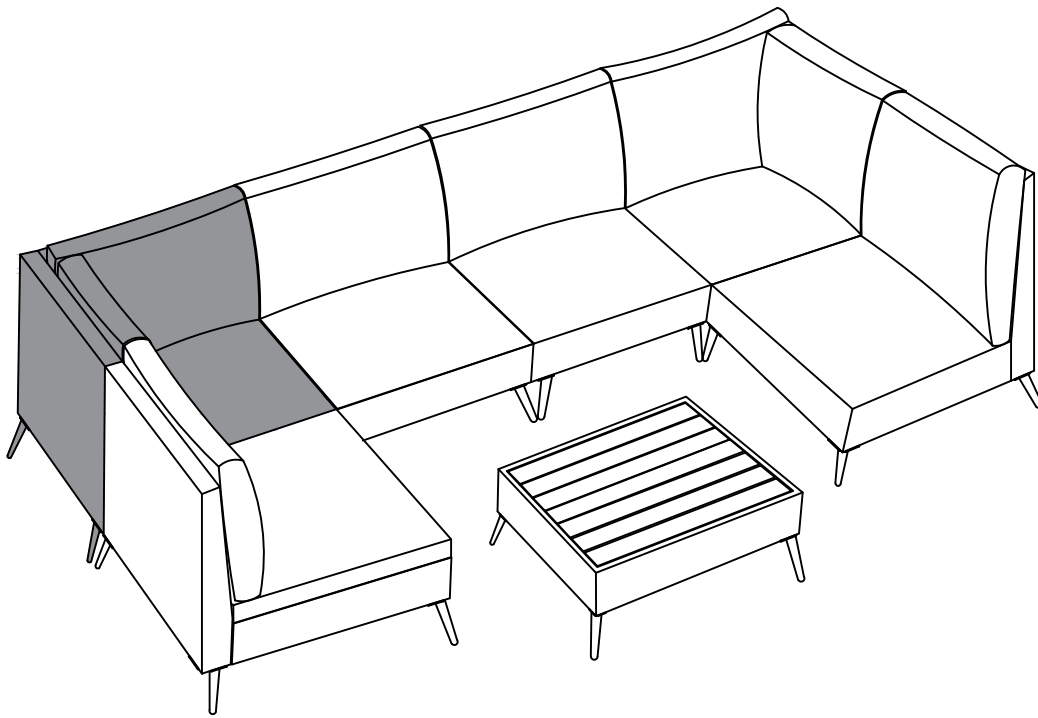
Do not fully tighten all screws until assembly is completed.

STEP 4

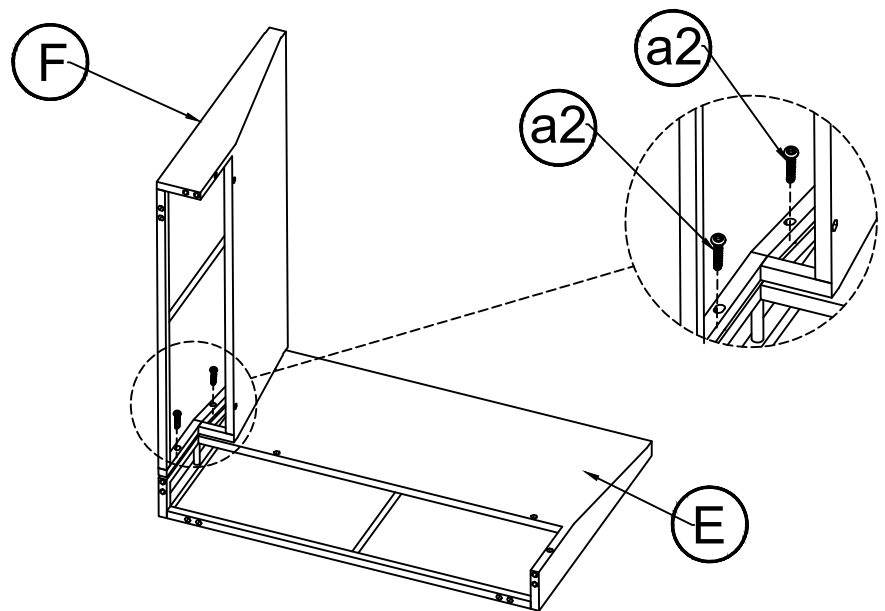


S	1pc	Q	1pc	T	1pc
					

Do not fully tighten all screws until assembly is completed.



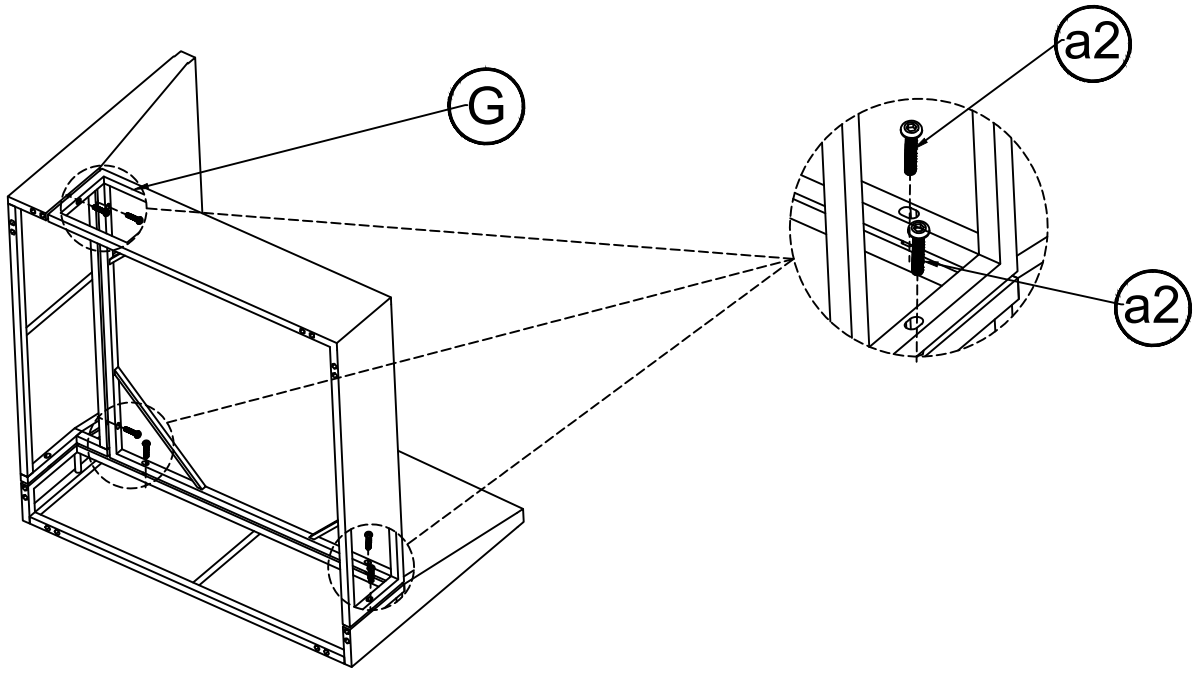
STEP 1



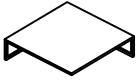
E	1pc	F	1pc	a2	2pcs	a3	1pc
				M6*35			

Do not fully tighten all screws until assembly is completed.

STEP 2



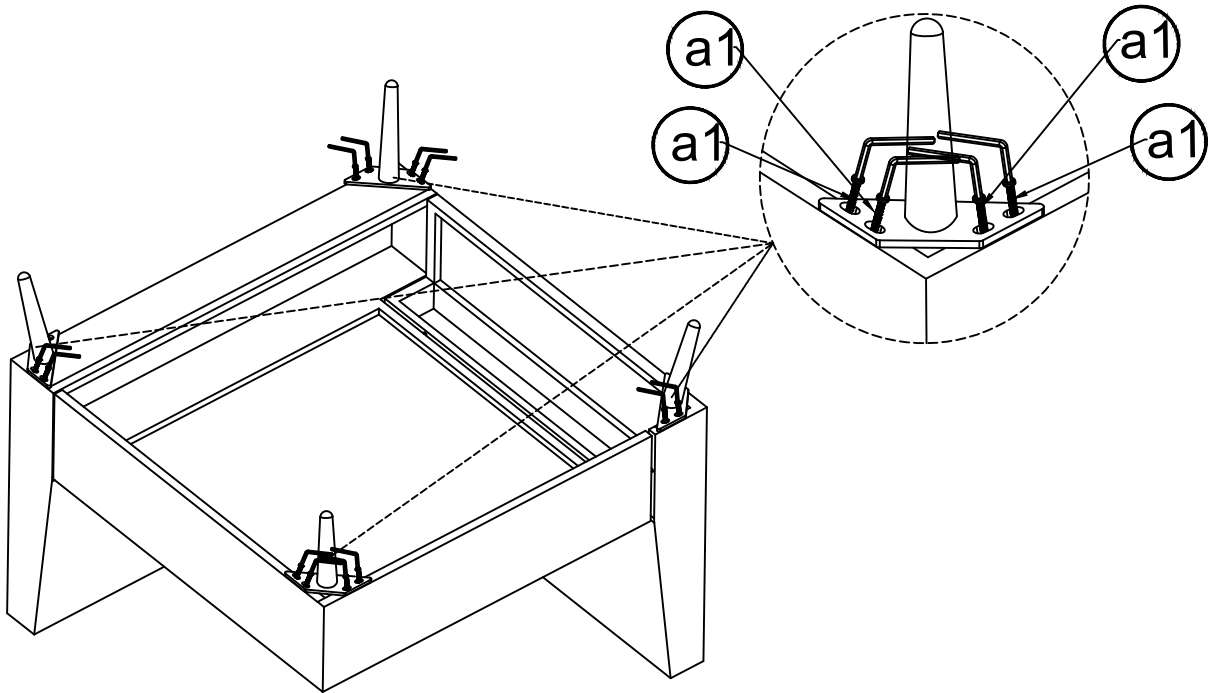
G	1pc	a2	6pcs	a3	1pc
---	-----	----	------	----	-----



M6*35



STEP 3



D	4pcs	a1	16pcs	a3	1pc
---	------	----	-------	----	-----

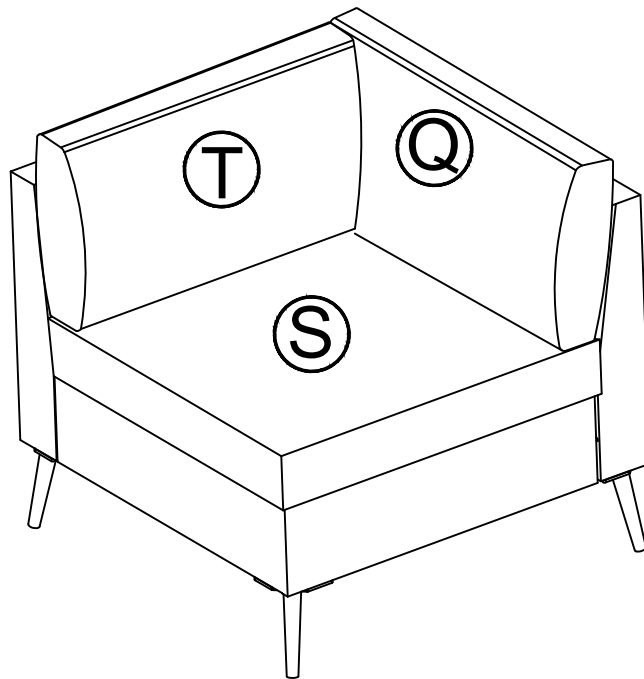


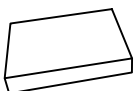

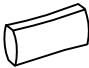
M6*15



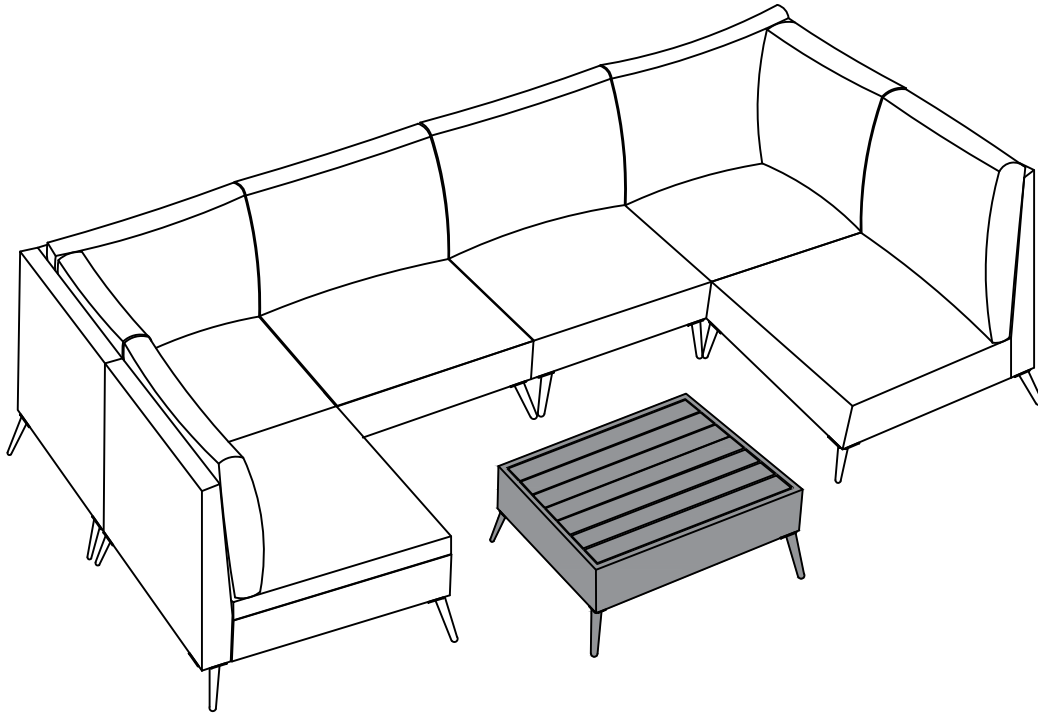
Do not fully tighten all screws until assembly is completed.

STEP 4

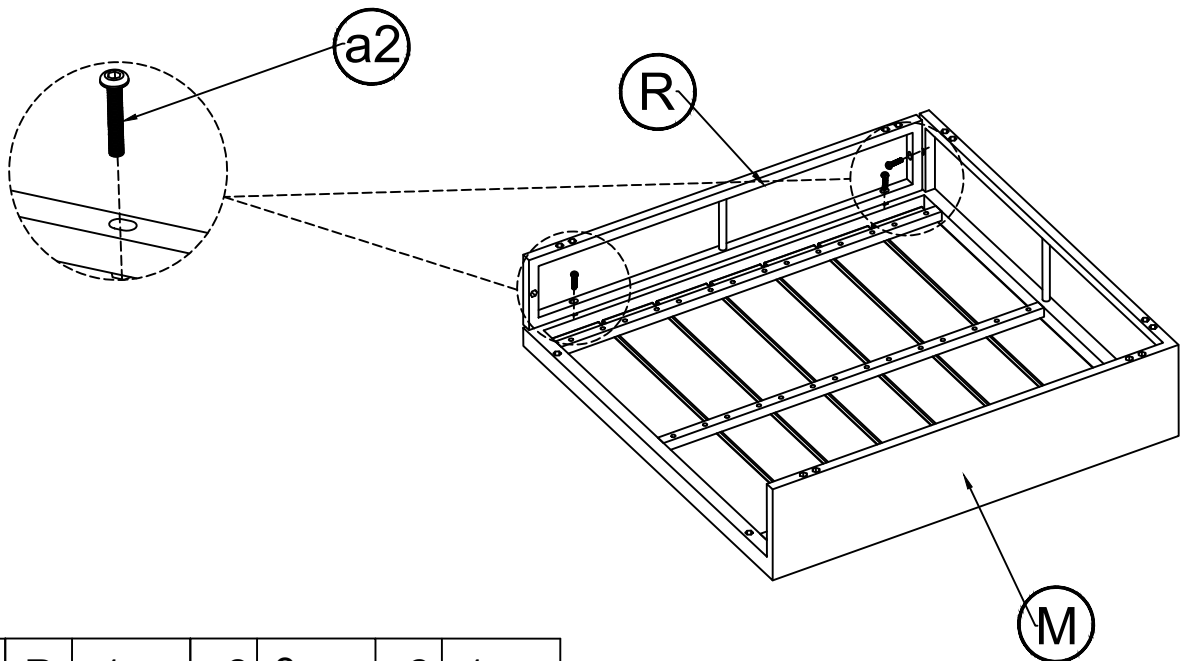



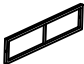


S	1pc	Q	1pc	T	1pc
					

Do not fully tighten all screws until assembly is completed.



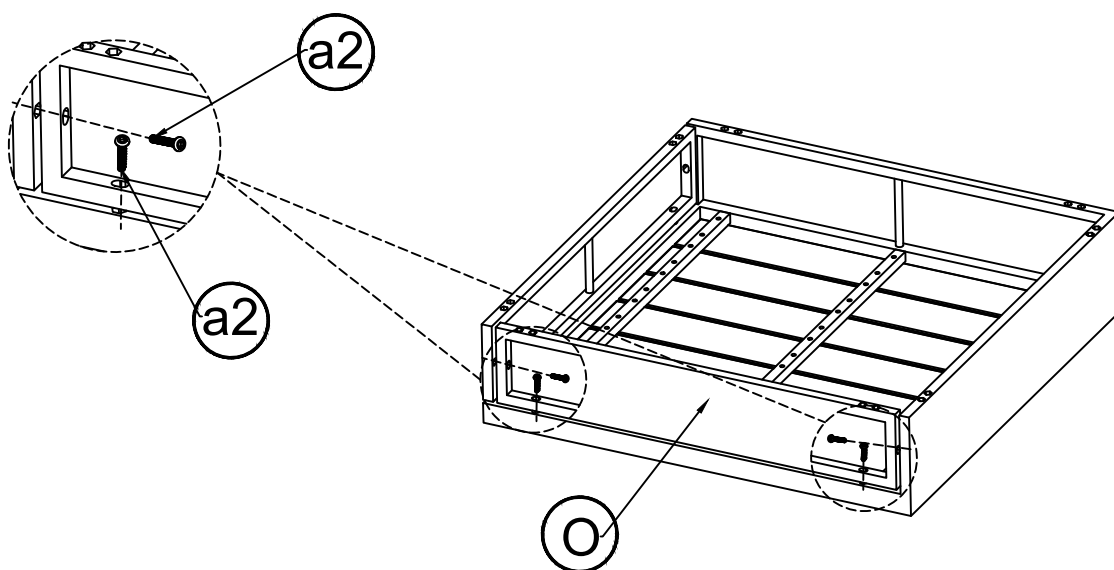
STEP 1



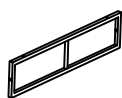
M	1pc	R	1pc	a2	3pcs	a3	1pc
				M6*35			

Do not fully tighten all screws until assembly is completed.

STEP 2



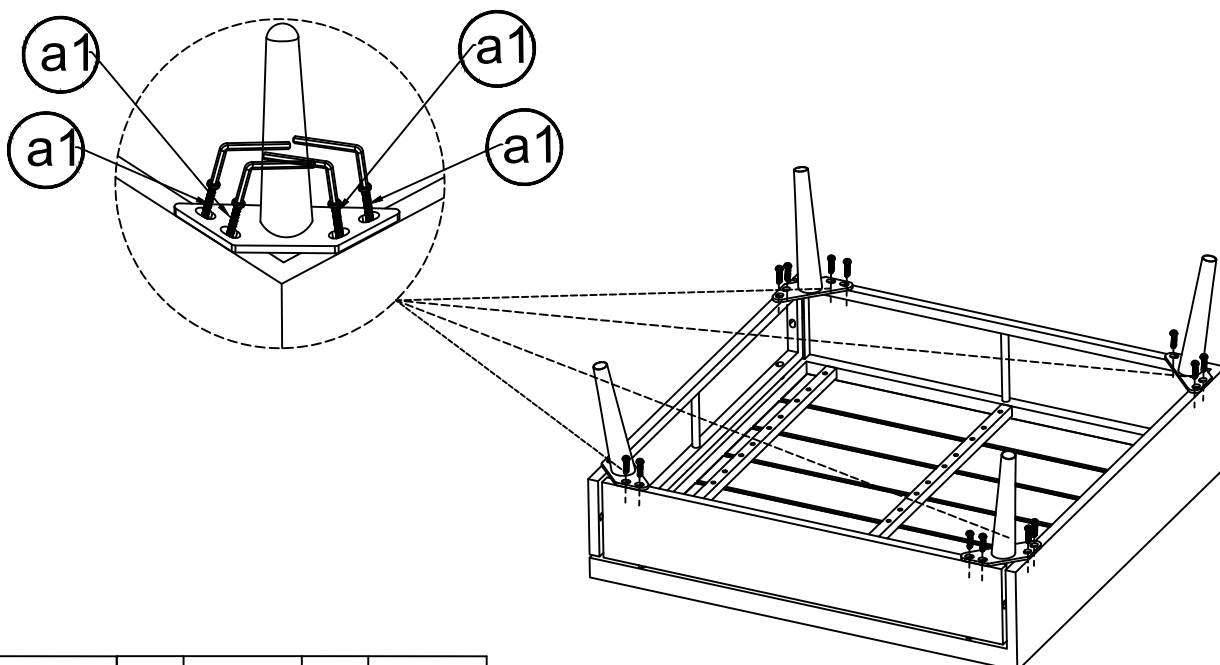
O	1pc	a2	4pcs	a3	1pc
---	-----	----	------	----	-----



M6*35



STEP 3



D	4pc	a1	16pcs	a3	1pc
---	-----	----	-------	----	-----

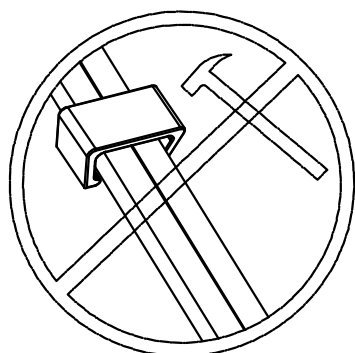
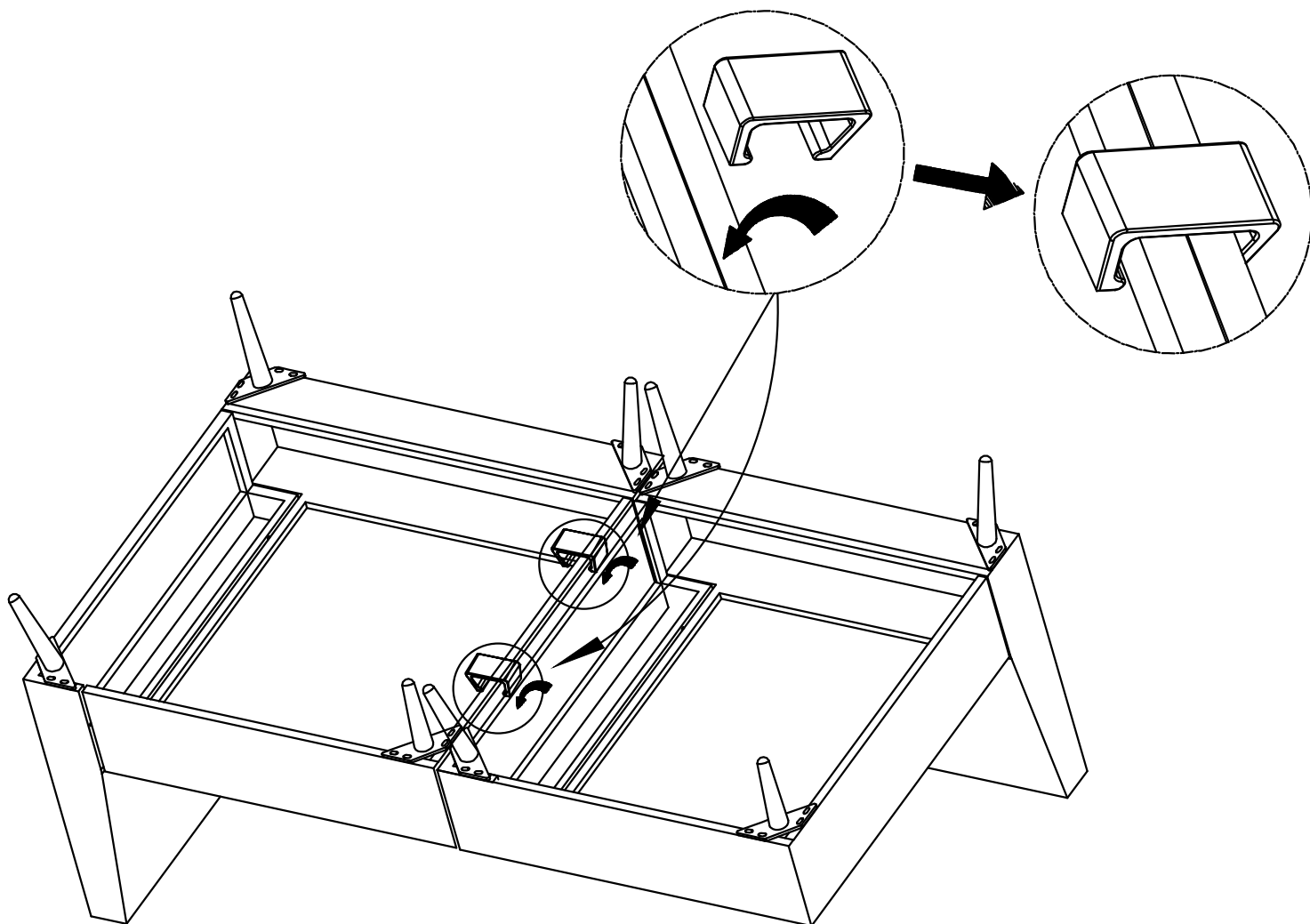


M6*15



Do not fully tighten all screws until assembly is completed.

How to use the U-shape Connector



You can scald it with hot water to soften it.

Do not fully tighten all screws until assembly is completed.

NOTES

Security Notice

- Please take protective measures during the installation process, such as wearing gloves and refraining from wearing valuable clothing.
- Be aware that some parts are heavy and have sharp edges.
- In the event that any parts are missing, broken, damaged, or worn, cease using the product until repairs have been made.
- Ensure items are handled and used correctly.

Warranty Guidelines

- If you identify any issues with accessories or quality after receiving the product, please provide feedback in a timely manner. The postage expenses for returns will not be charged to the original purchaser. Replacement or repair parts will be covered for the remainder of the original limited warranty period. We offer continuous free technical support, including online diagnosis and solutions for user problems.
- To process your claim, please upload a copy of your receipt and at least two photos of the problem or damaged parts. Otherwise, the supplier reserves the right to refuse replacement parts or credit.
- For any questions during installation and use, please do not hesitate to contact us.

Cushion Notice

- This pillow or cushion is vacuum-packed. After opening the bag, the Pp cotton or white foam inside needs time to regain its full shape, typically 3-4 days. You can speed up the process by gently fluffing or patting the pillows with your hand or a flat object.
- Please note that once the vacuum-sealed packaging is opened, the product cannot be returned, as it cannot be repackaged to its origin a condition.
- **WARNING:** To avoid the risk of suffocation, keep this bag away from babies and children. Do not use it in cribs, beds, carriages, or playpens. This bag is not a toy. Immediately discard the bag and any other packing materials after removing the product. Do not reuse this bag.