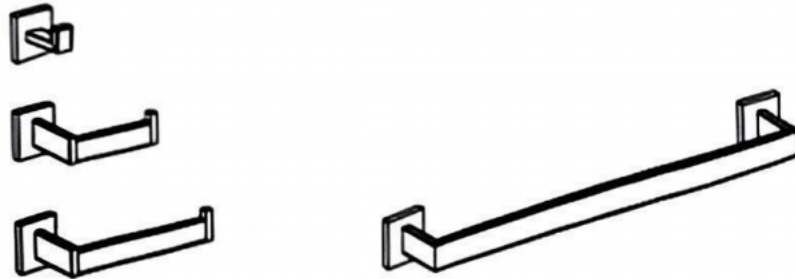
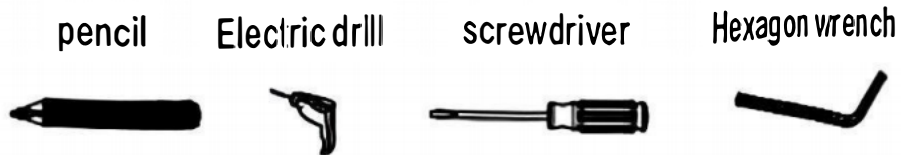


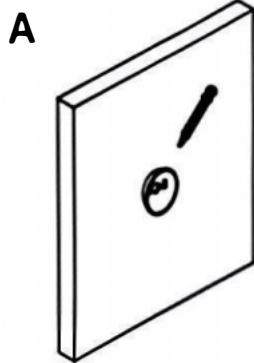
Installation instructions for bathroom hardware



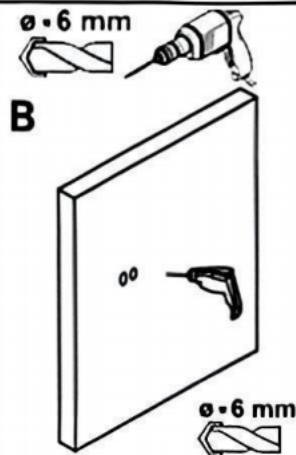
The tools you will use



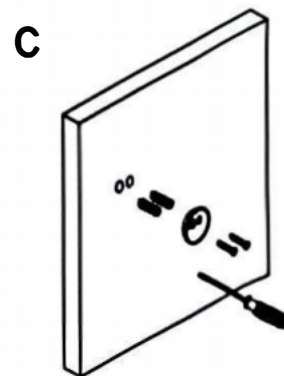
Installation steps



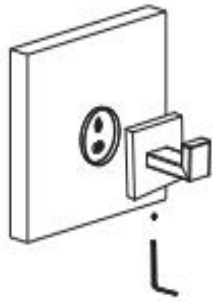
Put the mounting base in the mounting position and draw the position of the opening with pencil



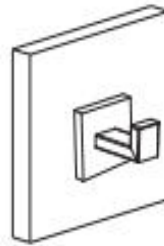
Use an electric drill to open a hole with a diameter of 6mm and a depth of 15-20mm



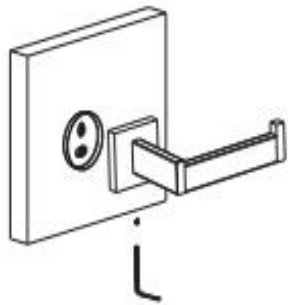
Install the mounting base in the order shown in the diagram



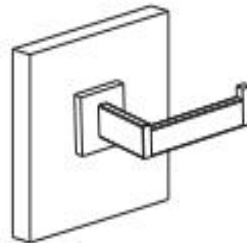
Fix the product body and mounting base with screws



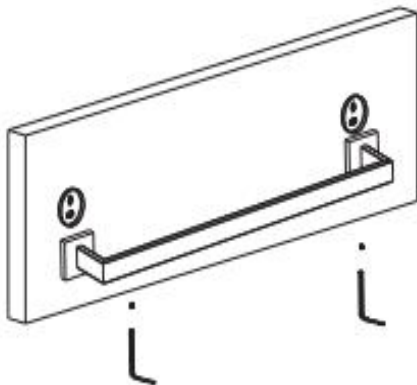
The installation is complete



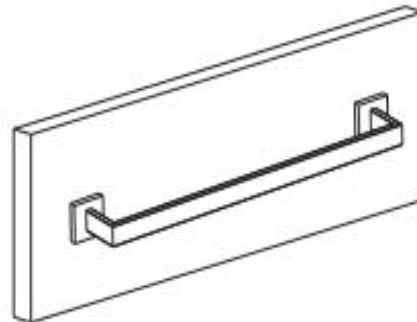
Fix the product body and mounting base with screws



The installation is complete



Fix the product body and mounting base with screws



The installation is complete