

Congratulations on your latest furniture purchase!

Before beginning assembly, we encourage you to familiarize yourself with your new furniture piece by taking a few minutes to go through this booklet. It contains important information on our warranty and care tips to keep your furniture looking as good as new.



NOTES AND INSTALLATION



WARNING

- * **STRANGULATION HAZARD** - NEVER ATTACH OR HANG ITEMS TO ANY PART OF THE BUNK BED THAT ARE NOT DESIGNED FOR USE WITH THE BED; FOR EXAMPLE, BUT NOT LIMITED TO, HOOKS, BELTS AND JUMP ROPES.
- * FOLLOW THE INFORMATION ON THE WARNINGS APPEARING ON THE UPPER BUNK END STRUCTURE AND ON THE CARTON. DO NOT REMOVE WARNING LABEL FROM BED.
- * THE MATTRESS PLATFORM IS DESIGNED TO SUPPORT A MATTRESS WITHOUT THE NEED FOR A POSTURE BOARD OR BOX SPRING.
- * ALWAYS USE THE RECOMMENDED SIZE MATTRESS OR MATTRESS SUPPORT, OR BOTH, TO HELP PREVENT THE LIKELIHOOD OF ENTRAPMENT OR FALLS.
- * **USE ONLY COIL SPRING MATTRESSES ON BOTH THE UPPER AND LOWER BUNKS. FAILURE TO DO SO CAN RESULT IN INJURY.**
- * USE ONLY MATTRESSES WHICH ARE 74"-75" LONG AND 37 1/2" - 38 1/2" WIDE. ENSURE THICKNESS OF MATTRESS DOES NOT EXCEED 6". SURFACE OF MATTRESS MUST BE AT LEAST 5" (127MM) BELOW THE UPPER EDGE OF GUARDRAILS.
- * DO NOT ALLOW CHILDREN UNDER 6 YEARS OF AGE TO USE THE UPPER BUNK.
- * ALWAYS USE GUARDRAILS ON BOTH LONG SIDES OF THE UPPER BUNK. IF THE BUNK BED WILL BE PLACED NEXT TO THE WALL, THE GUARDRAIL THAT RUNS THE FULL LENGTH OF THE BED SHOULD BE PLACED AGAINST THE WALL TO PREVENT ENTRAPMENT BETWEEN THE BED AND WALL (APPLICABLE FOR BUNK BEDS WITH FULL LENGTH GUARDRAILS ON ONE SIDE).
- * PERIODICALLY CHECK AND ENSURE THAT THE GUARDRAIL, LADDER AND OTHER COMPONENTS ARE IN THEIR PROPER POSITION, FREE FROM DAMAGE, AND THAT ALL CONNECTORS ARE TIGHT.
- * DO NOT ALLOW HORSEPLAY ON OR UNDER THE BED AND PROHIBIT JUMPING ON THE BED.
- * DO NOT USE SUBSTITUTE PARTS. CONTACT CUSTOMER SERVICE FOR REPLACEMENT PARTS.
- * USE OF A NIGHT LIGHT MAY PROVIDE ADDED SAFETY PRECAUTION FOR A CHILD USING THE UPPER BUNK.
- * THE USE OF WATER OR SLEEP FLOTATION MATTRESSES IS PROHIBITED.
- * ALWAYS USE THE LADDER FOR ENTERING AND LEAVING THE UPPER BUNK.
- * PROHIBIT MORE THAN ONE PERSON ON UPPER BUNK.
- * KEEP THESE INSTRUCTIONS FOR FUTURE USE.

NOTES

- * READ EACH STEP CAREFULLY BEFORE STARTING. IT IS VERY IMPORTANT THAT EACH STEP OF INSTRUCTION IS PERFORMED IN THE CORRECT ORDER. IF THESE STEPS ARE NOT FOLLOWED IN SEQUENCE, ASSEMBLY DIFFICULTIES WILL OCCUR AND CAN RESULT IN INJURY.
- * **CAUTION:** ADULT ASSEMBLY REQUIRED.
- * MAKE SURE ALL PARTS ARE INCLUDED. WORK IN SPACIOUS AREA, PREFERABLY ON A SMOOTH SOFT SURFACE.
- * ASSEMBLY WILL REQUIRE TWO PEOPLE.
- * MOST BOARD PARTS ARE LABELED OR STAMPED ON THE RAW EDGE.
- * PHILLIPS SCREWDRIVER (NOT INCLUDED) IS REQUIRED.
- * A RUBBER Mallet (NOT INCLUDED) IS RECOMMENDED TO FACILITATE ASSEMBLY.
- * BED IS DESIGNED FOR CHILDREN RANGING FROM 6 YEARS OF AGE TO YOUNG TEENAGERS.

CARE, CLEANING AND MAINTENANCE

Dust regularly with a soft, dry cloth. We do not recommend the use of chemical cleaners or wax on our lacquered furniture as it may damage the finish. Keep solvents, alcohol, nail polish and polish removers away from your hardwood furniture surfaces.

Check all bolts, screws and fasteners periodically and tighten them if necessary.

1-YEAR LIMITED WARRANTY

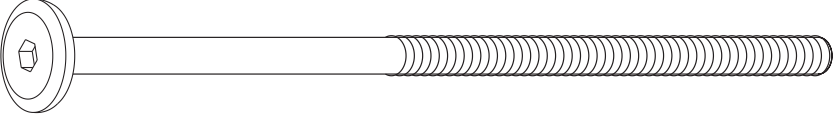
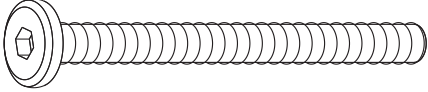
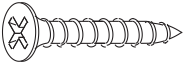
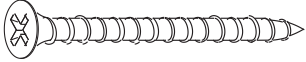
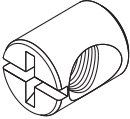
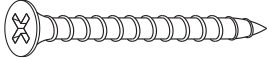
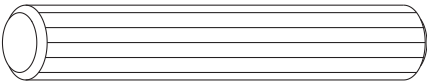
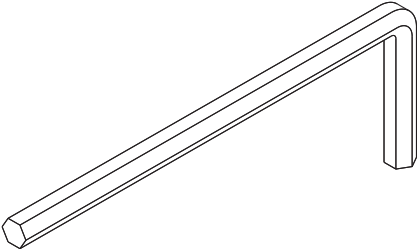
warrants its product to be free from defects in material and workmanship and agrees to remedy any such defect. This warranty covers 1 year from the date of original purchase from authorized retailers. This warranty is valid only upon presentation of proof of purchase. This is solely limited to the repair or replacement of defective furniture components and no assembly labor is included. This warranty does not apply to any product which has been improperly assembled, subjected to misuse or abuse or which has been altered or repaired in any way. The warranty does not cover wearing, tearing, fading or splitting of the fabric (where applicable). This warranty gives you specific legal rights and you may also have other rights which vary from State to State or Province to Province.



WARNING: Should this product become damaged, and/or components are broken or missing, DO NOT USE.

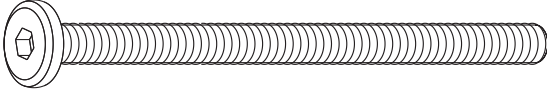
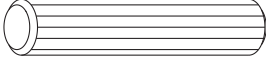
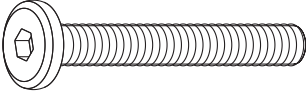
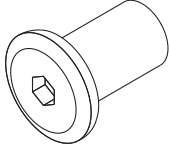
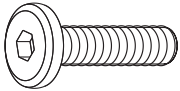
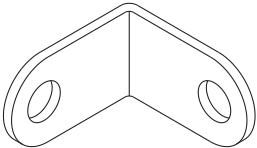
LOFT BED WITH DESK

HARDWARE LIST

<p>1</p>  <p>Φ 1/4" x 100mm</p>	<p>2</p>  <p>Φ 1/4" x 48mm</p>
<p>JOINT CONNECTOR (4mm HEX HEAD) 38 PCS</p>	<p>JOINT CONNECTOR (4mm HEX HEAD) 12 PCS</p>
<p>3</p>  <p>Φ 3.5mm x 19mm</p>	<p>4</p>  <p>Φ 4mm x 35mm</p>
<p>FLAT HEAD SCREW 2 PCS</p>	<p>FLAT HEAD SCREW 26 PCS</p>
<p>5</p>  <p>Φ 11.8mm x 15mm</p>	<p>6</p>  <p>Φ 4mm x 30mm</p>
<p>BARREL NUT 12 PCS</p>	<p>FLAT HEAD SCREW 6 PCS</p>
<p>7</p>  <p>Φ 10mm x 50mm</p>	<p>8</p> 
<p>WOOD DOWEL 44 PCS</p>	<p>ALLEN KEY 1 PC</p>





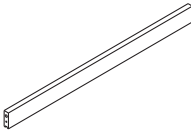
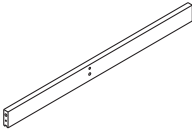
LOFT BED WITH DESK

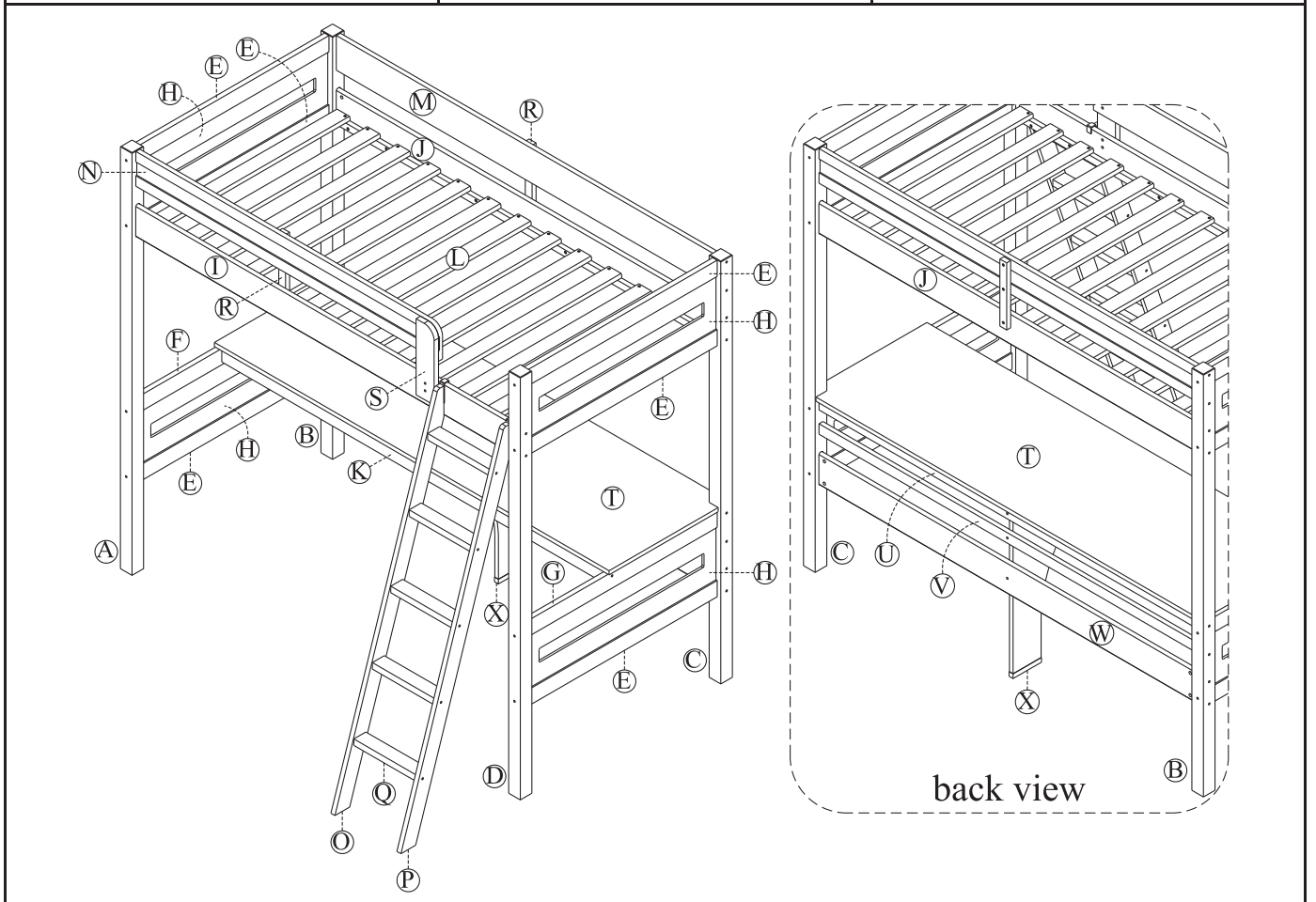
HARDWARE LIST

<p>9</p>  <p>Φ 1/4" x 64mm</p>	<p>10</p>  <p>Φ 8mm x 30mm</p>
<p>JOINT CONNECTOR (4mm HEX HEAD) 7 PCS</p>	<p>WOOD DOWEL 2 PCS</p>
<p>11</p>  <p>Φ 1/4" x 32mm</p>	<p>12</p>  <p>Φ 9mm x 17mm</p>
<p>JOINT CONNECTOR (4mm HEX HEAD) 4 PCS</p>	<p>HEX CAP 2 PCS</p>
<p>13</p>  <p>Φ 1/4" x 15mm</p>	<p>14</p>  <p>30mm x 30mm x 18mm</p>
<p>JOINT CONNECTOR (4mm HEX HEAD) 12 PCS</p>	<p>L SHAPED METAL PLATE 6 PCS</p>

LOFT BED WITH DESK

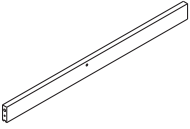
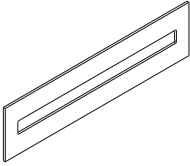
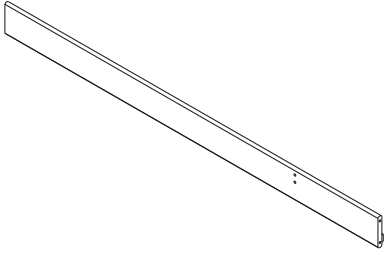
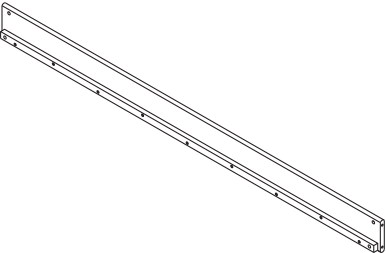
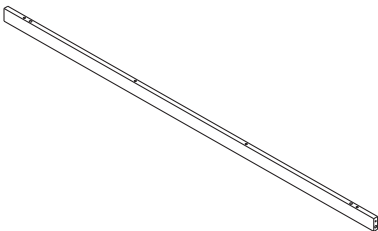
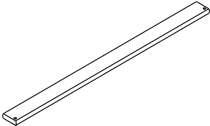
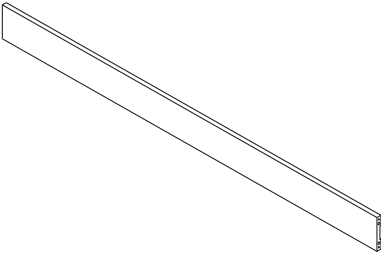
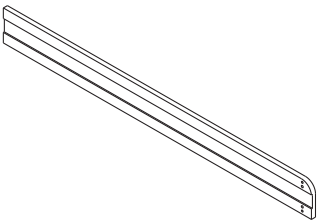
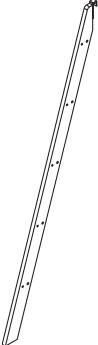
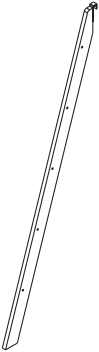
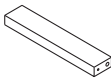

PARTS LIST

		
<p>LEFT FRONT POST 1 PC</p>	<p>LEFT BACK POST 1 PC</p>	<p>RIGHT BACK POST 1 PC</p>
		
<p>RIGHT FRONT POST 1 PC</p>	<p>HEADBOARD CROSS 6 PCS</p>	<p>HEADBOARD CENTER CROSS 1 PC</p>




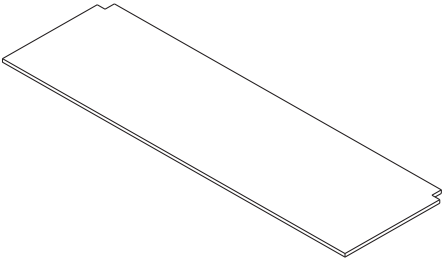
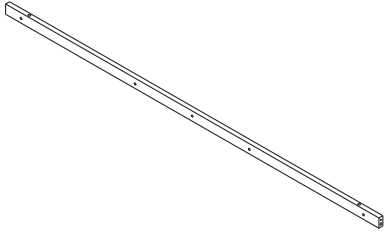
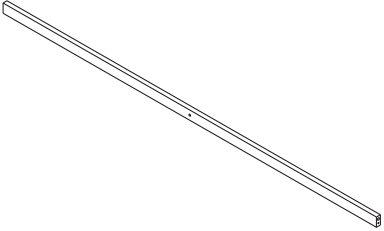
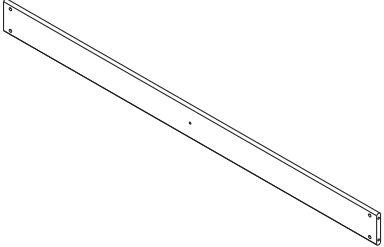
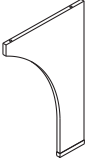
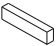
LOFT BED WITH DESK

PARTS LIST

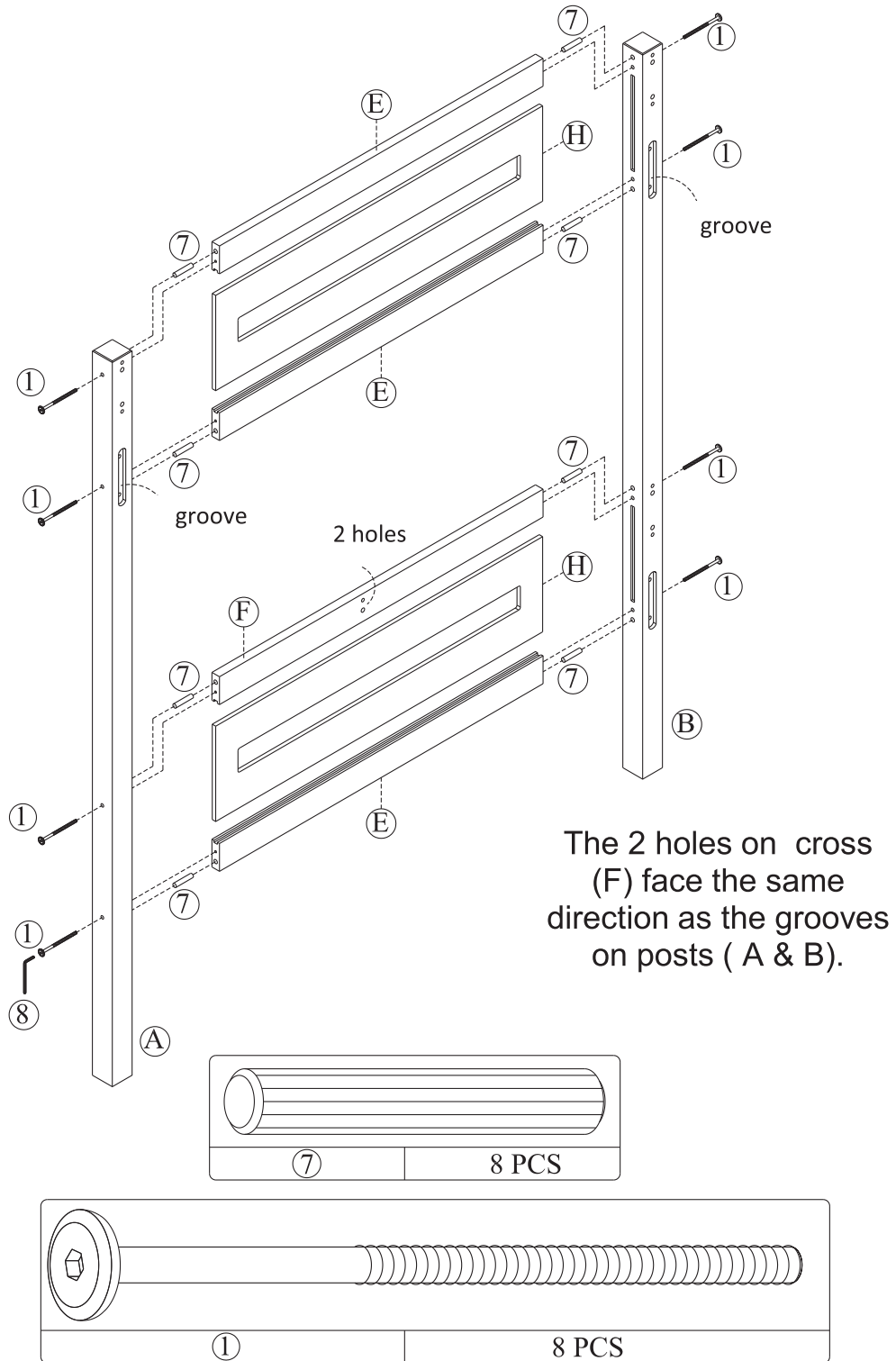
<p>G</p> 	<p>H</p> 	<p>I</p> 
<p>HEADBOARD CENTER CROSS 1 PC</p>	<p>HEADBOARD PANEL 4 PCS</p>	<p>FRONT SIDE RAIL 1 PC</p>
<p>J</p> 	<p>K</p> 	<p>L</p> 
<p>BACK SIDE RAIL 1 PC</p>	<p>DESK FRONT RAIL 1PC</p>	<p>SLAT 13 PCS</p>
<p>M</p> 	<p>N</p> 	<p>O</p> 
<p>LONG GUARDRAIL 1 PC</p>	<p>SHORT GUARDRAIL 1 PC</p>	<p>LEFT LADDER END 1 PC</p>
<p>P</p> 	<p>Q</p> 	<p>R</p> 
<p>RIGHT LADDER END 1 PC</p>	<p>LADDER STEP 5 PCS</p>	<p>GUARDRAIL LEG 2 PCS</p>

LOFT BED WITH DESK

PARTS LIST

<p>S</p> 	<p>T</p> 	<p>U</p> 
<p>SHORT GUARDRAIL POST 1 PC</p>	<p>DESK PANEL 1 PC</p>	<p>DESK BACK RAIL 1 PC</p>
<p>V</p> 	<p>W</p> 	<p>X</p> 
<p>BOTTOM BACK GUARDRAIL 1 PC</p>	<p>BOTTOM BACK SIDE RAIL 1 PC</p>	<p>SUPPORT POST 1 PC</p>
<p>Y</p>  <p>SPACE BLOCK 2 PCS</p>		

LOFT BED WITH DESK



STEP 1

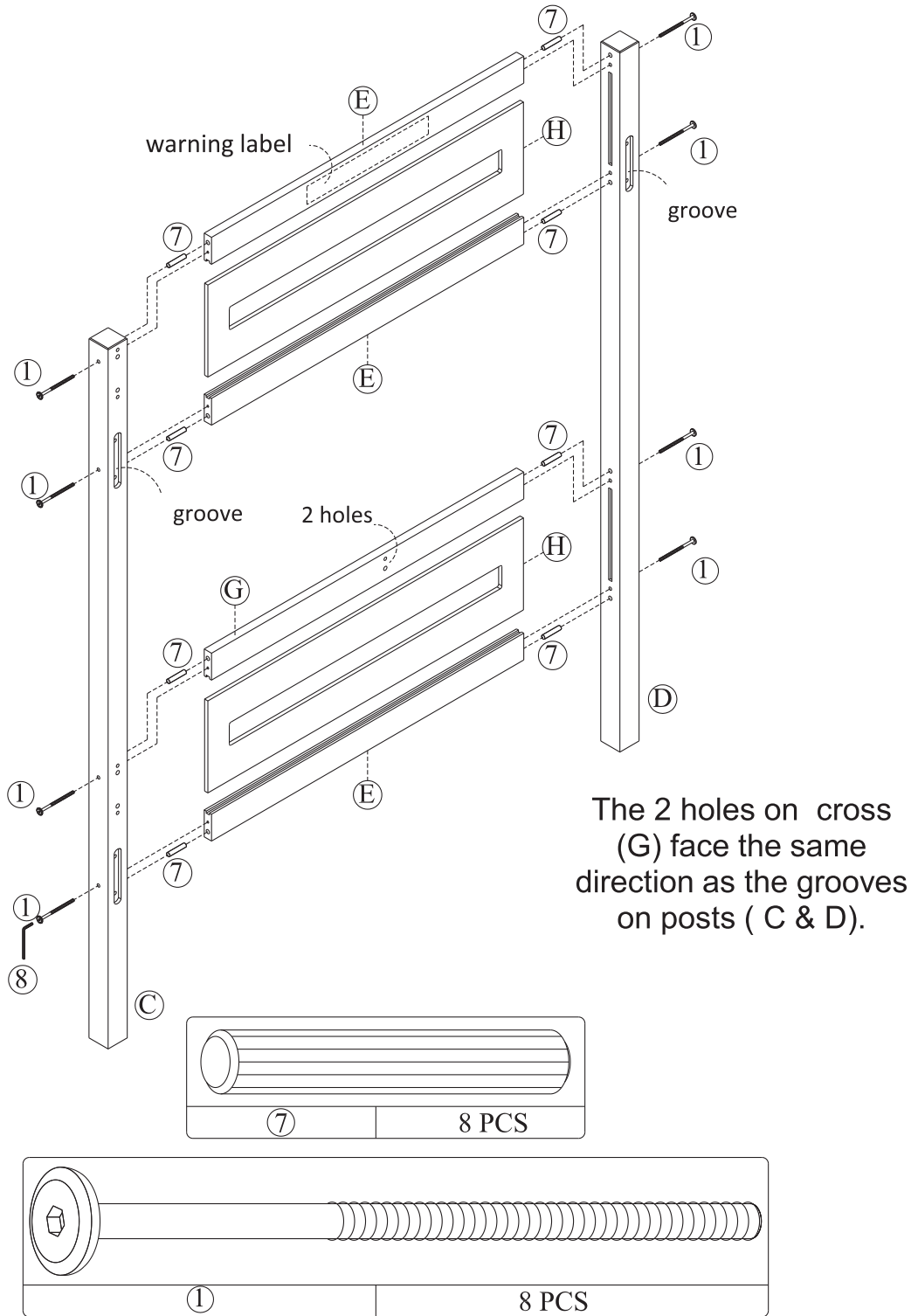
One of the headboard crosses (E) has a warning label on it. Do not use it in this step.

Insert wood dowels (7) into the ends of headboard cross (E) and headboard center cross (F).

Insert headboard panel (H) into the grooves of the headboard cross (E) and headboard center cross (F).

Attach the assembled headboard (EHE) and (FHE) to left front post (A) and left back post (B) with joint connectors (1) as shown. Use Allen key (8) to tighten the joint connectors (1).

LOFT BED WITH DESK



STEP 2

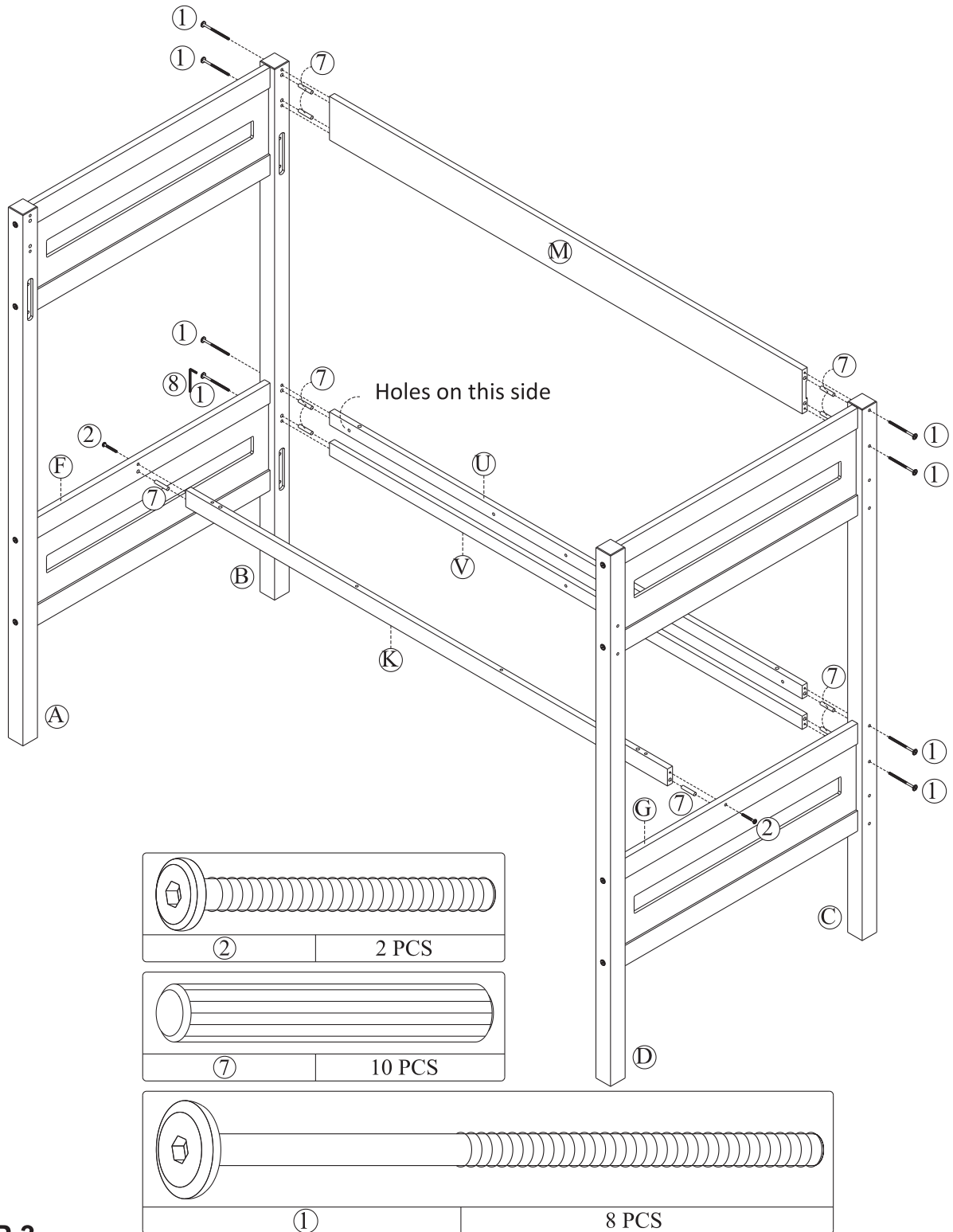
Use the headboard cross (E) with warning label in this step.

Insert wood dowels (7) into the ends of headboard cross (E) and headboard center cross (G).

Insert headboard panel (H) into the grooves of the headboard cross (E) and headboard center cross (G).

Attach the assembled headboard (EHE) and (GHE) to right back post (C) and right front post (D) with joint connectors (1) as shown. Use Allen key (8) to tighten the joint connectors (1).

LOFT BED WITH DESK



STEP 3

Do not fully tighten bolts in this step, this will facilitate assembly in the following steps.

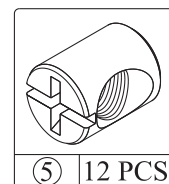
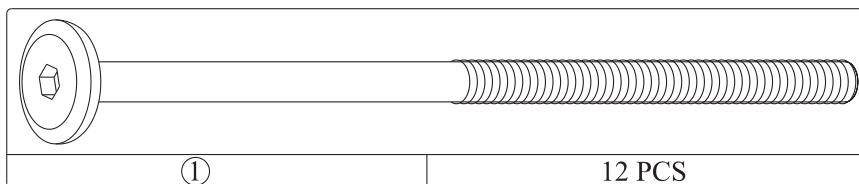
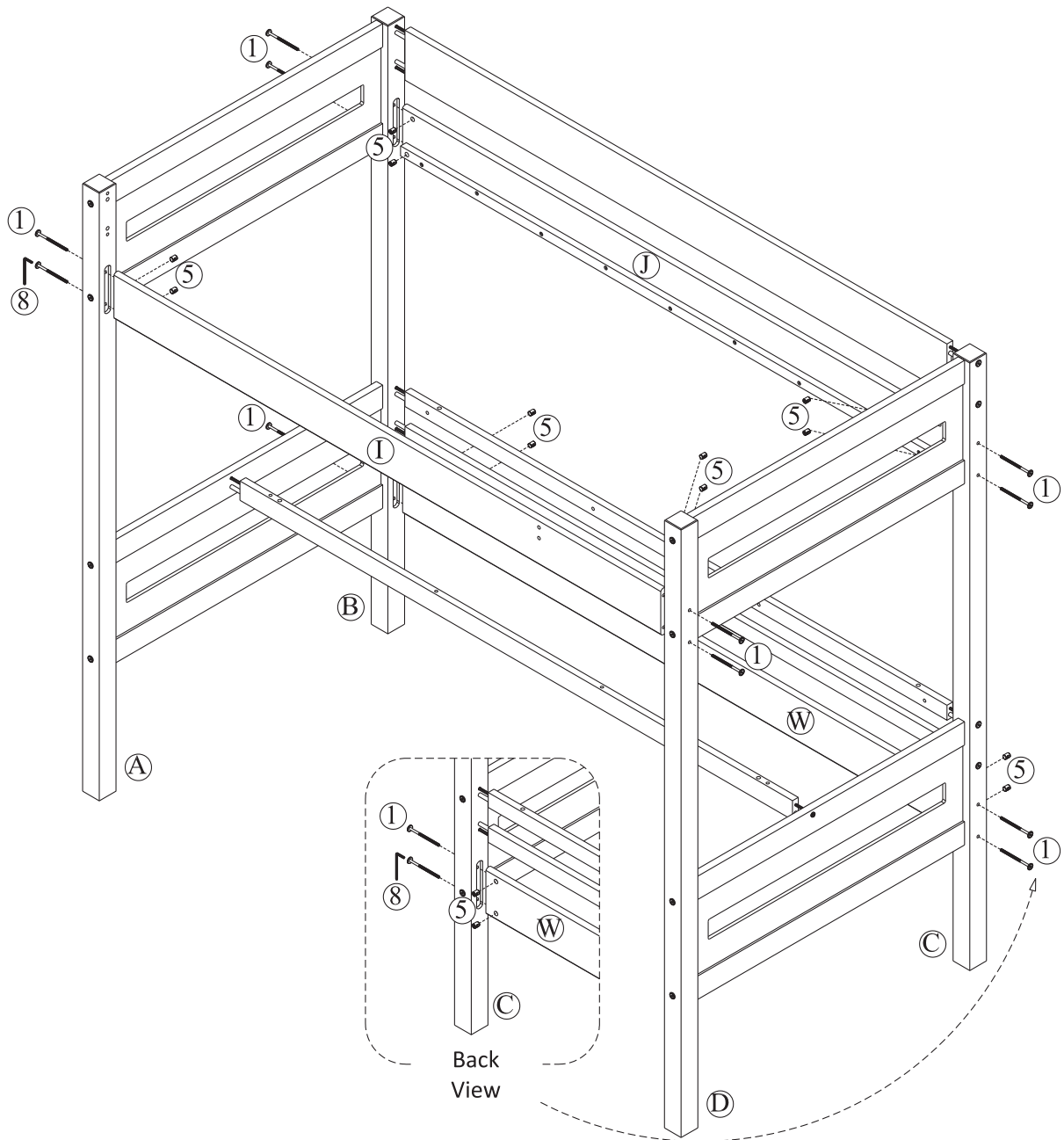
Insert wood dowel (7) into each end of the long guardrails (M), desk back rail (U) and bottom back guardrail (V).

Attach long guardrails (M), desk back rail (U) and bottom back guardrail (V) to back posts (B and C) with joint connectors (3) and Allen key (8) as shown.

Insert wood dowel (7) into each end of the desk front rail (K).

Attach desk front rail (K) to headboard center crosses (F and G) with joint connectors (2) and Allen key (8) as shown.

LOFT BED WITH DESK



STEP 4

Insert barrel nuts (5) into top front side rail (I).

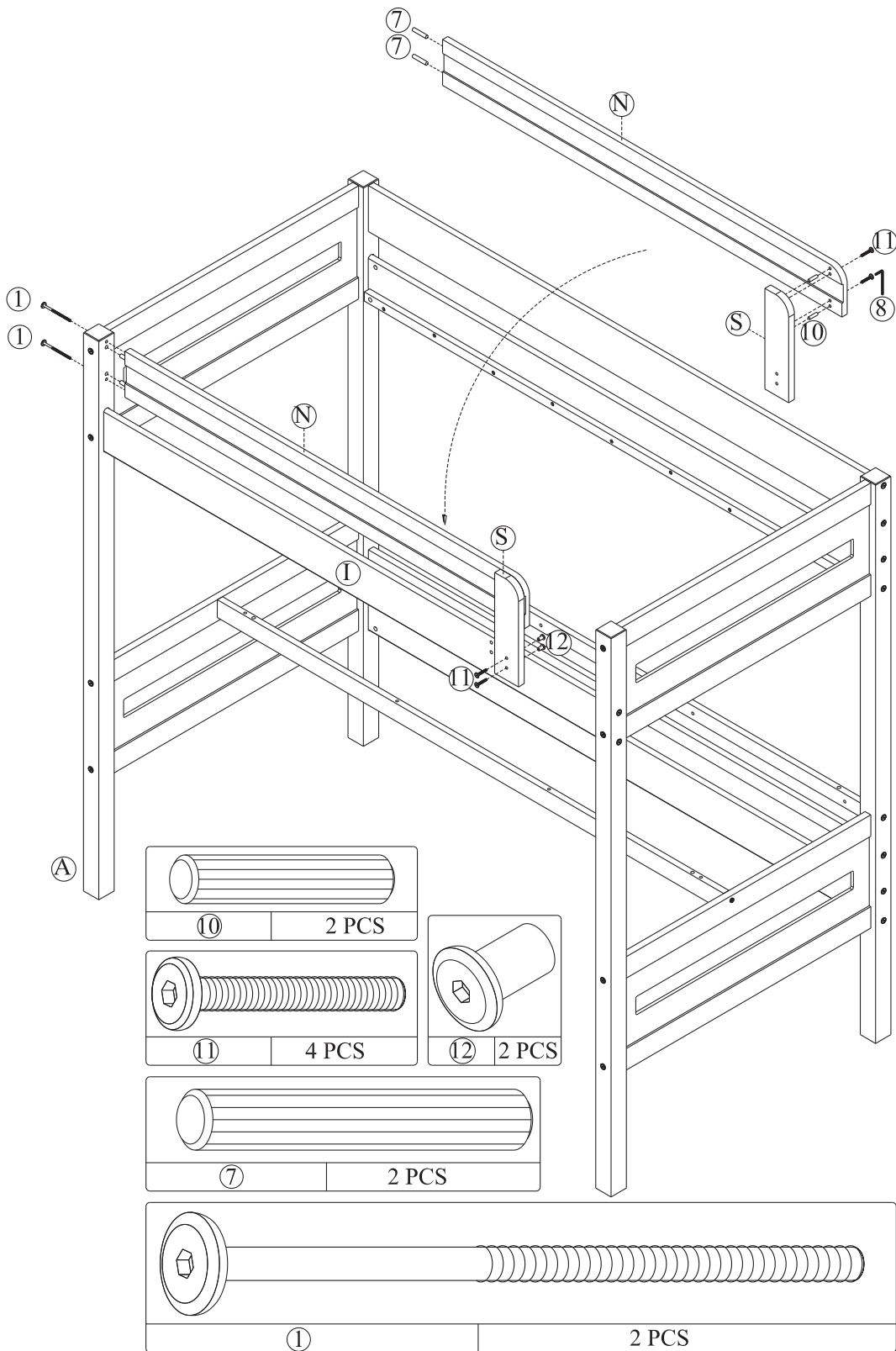
Attach top front side rail (I) to front posts (A & D) with joint connectors (1) as shown.

Insert barrel nut (5) into top back side rail (J) and bottom back side rail (W).

Attach top back side rail (J) and bottom back side rail (W) to back posts (B & C) with joint connectors (1) as shown.

Tighten joint connectors (1) with the Allen key (8).

LOFT BED WITH DESK



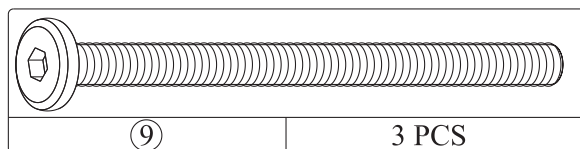
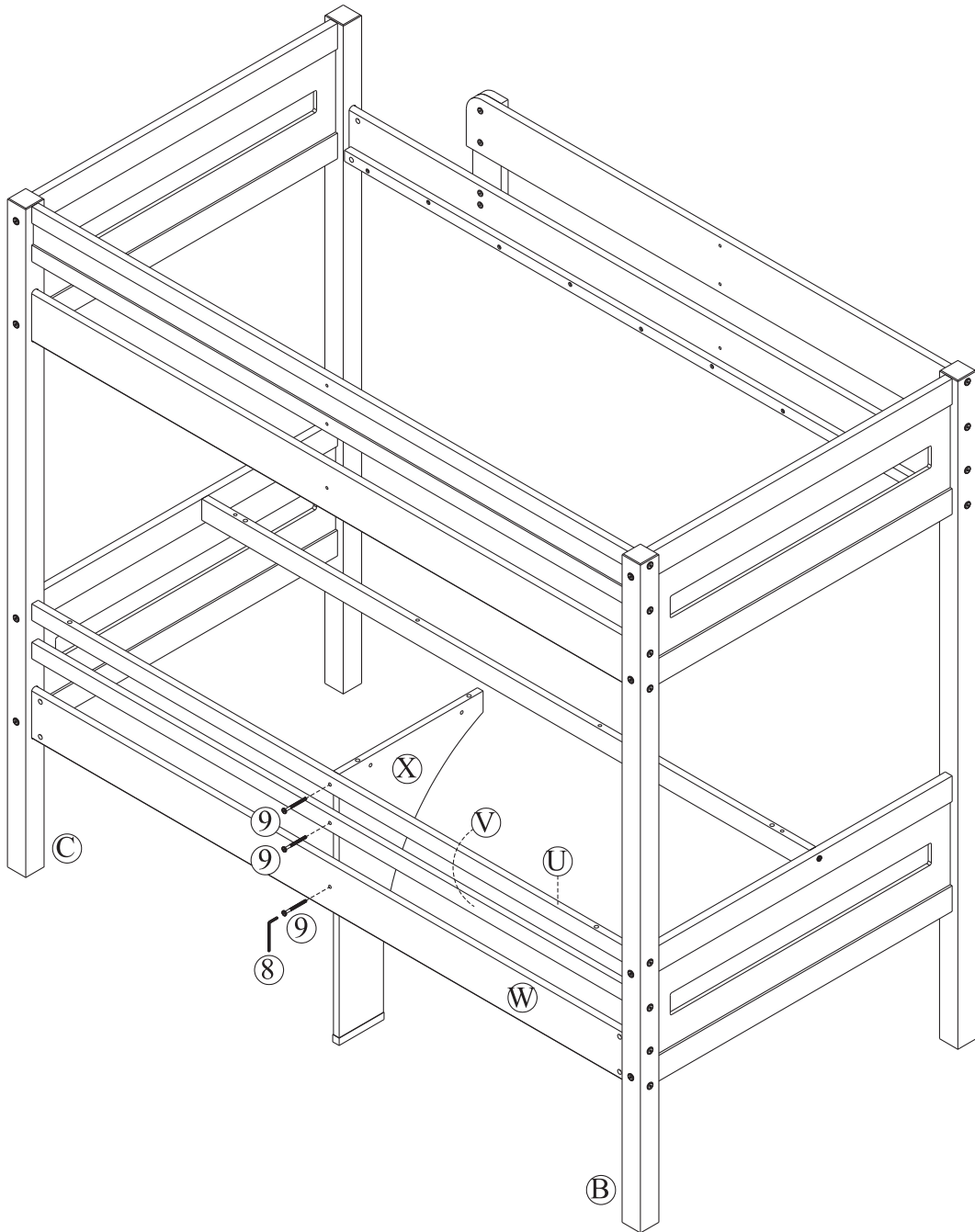
STEP 5

Insert wood dowel (10) into holes of the short guardrails (N) and attach it to short guardrail post (S) with joint connectors (11) and Allen key (8).

Insert wood dowel (7) into end of the short guardrails (N) and attach it to left front post (A) with joint connectors (3).

Attach the short guardrail post (S) to top front side rail (1) with joint connectors (11) and hex cap (12) as shown. Fully tighten the joint connectors (11) with the Allen key (8).

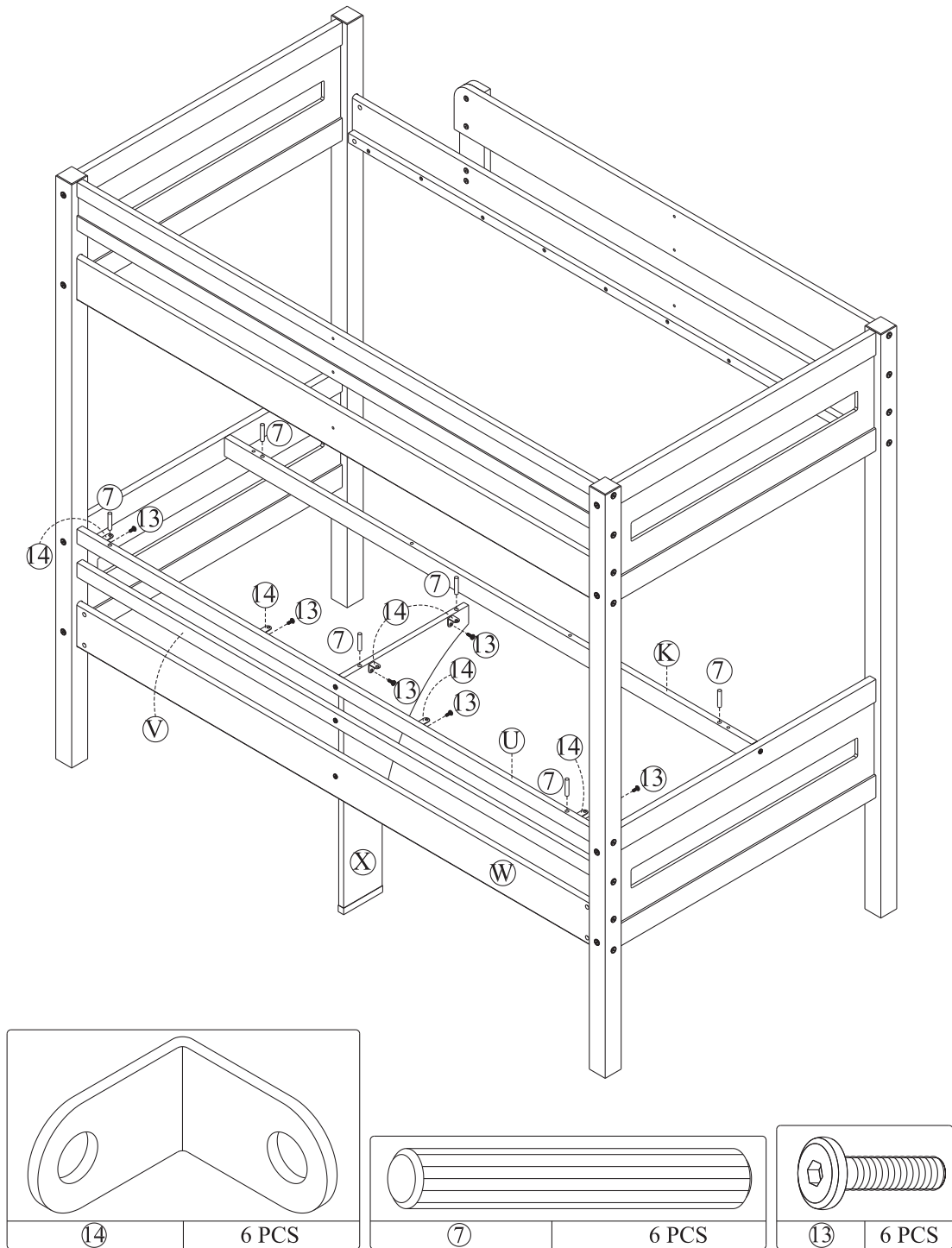
LOFT BED WITH DESK



STEP 6

Attach support post (X) to desk back rail (U), bottom back guardrail (V) and bottom back side rail (W) with joint connectors (9) as shown. Tighten joint connectors (9) with the Allen key (8).

LOFT BED WITH DESK

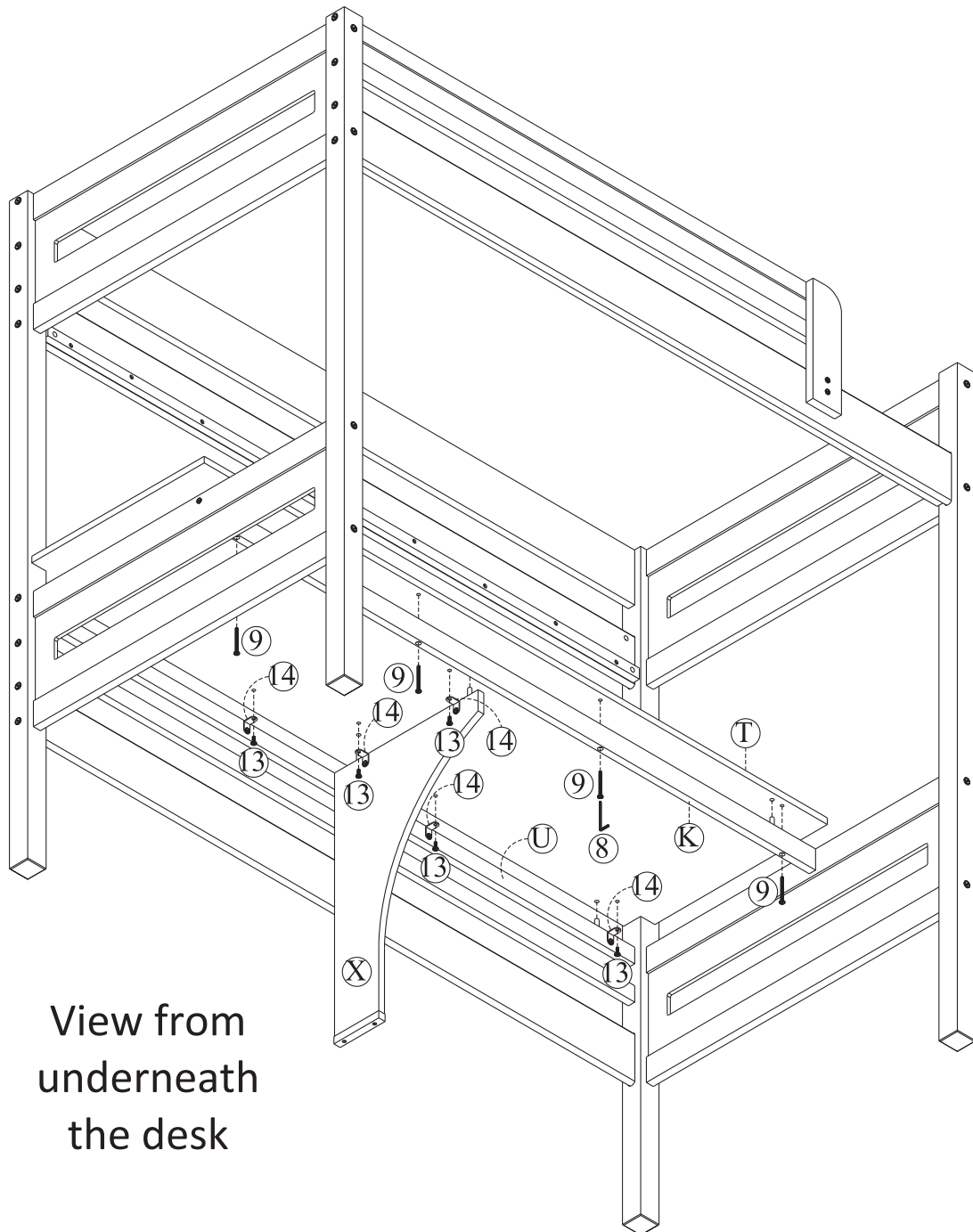


STEP 7

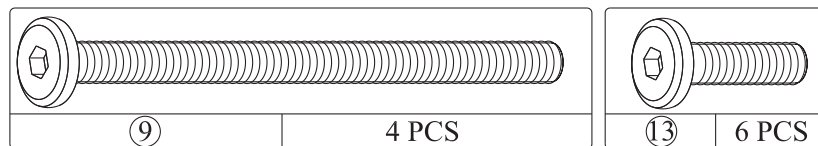
Insert wood dowels (7) into the holes of desk front rail (K), desk back rail (U) and support post (X).

Attach the L shaped metal plate (14) to support post (X) and desk back rail (U) as shown above using joint connectors (13) and Allen key (8).

LOFT BED WITH DESK



View from
underneath
the desk



STEP 8

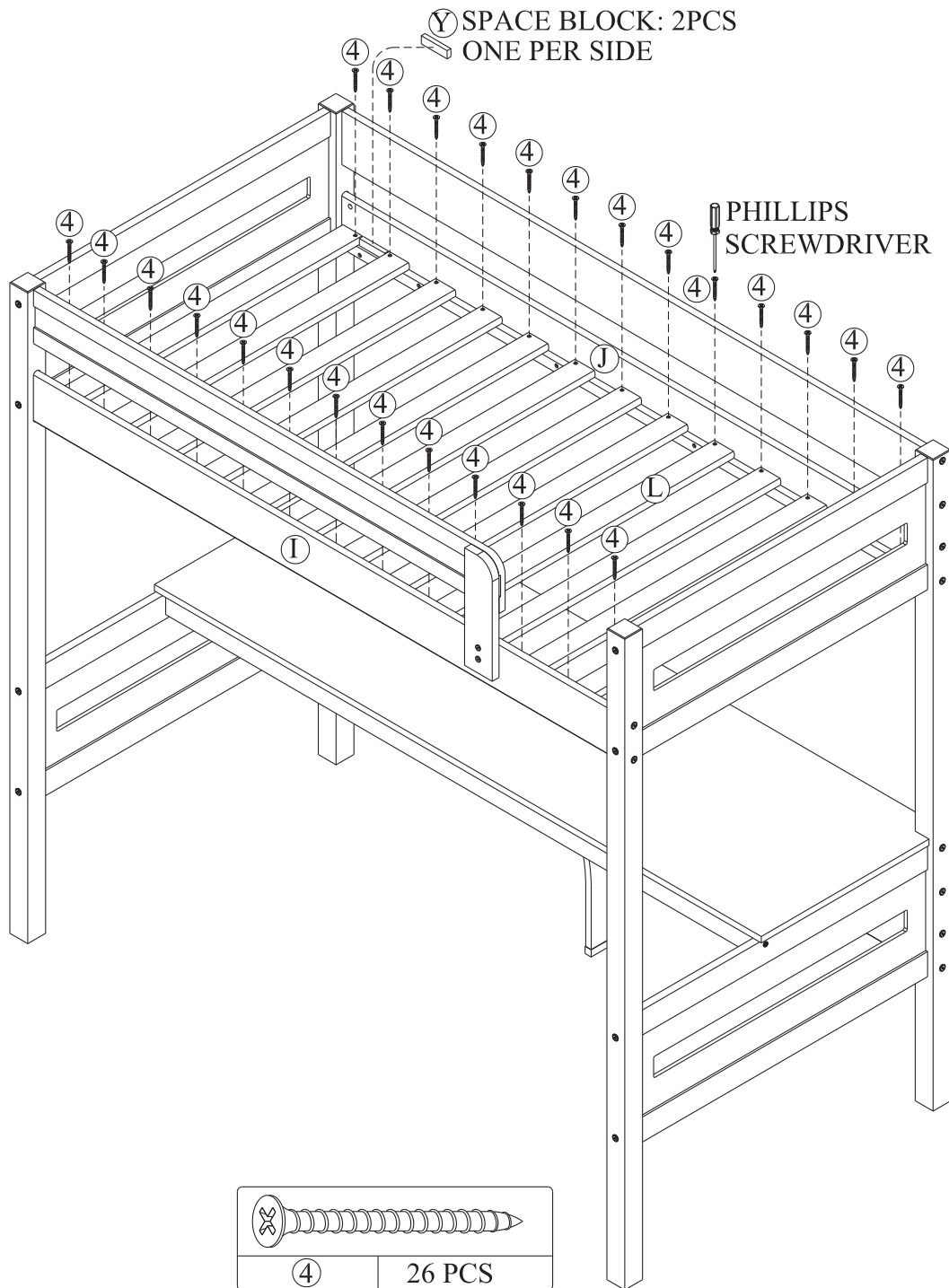
Attach desk panel (T) to the assembled unit and secure it to desktop front rail (K) with joint connectors (9) as shown.

Secure the desk panel (T) to support post (X) and desk back rail (U) using joint connectors (13) through metal plates (14).

Tighten joint connectors (9 & 13) using Allen key (8).

NOTE: Fully tighten all joint connector installed in previous steps.

LOFT BED WITH DESK

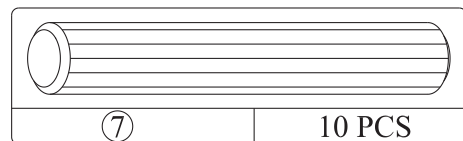
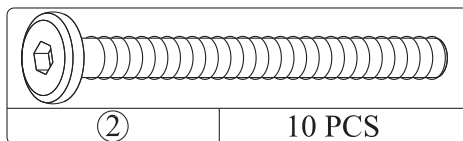
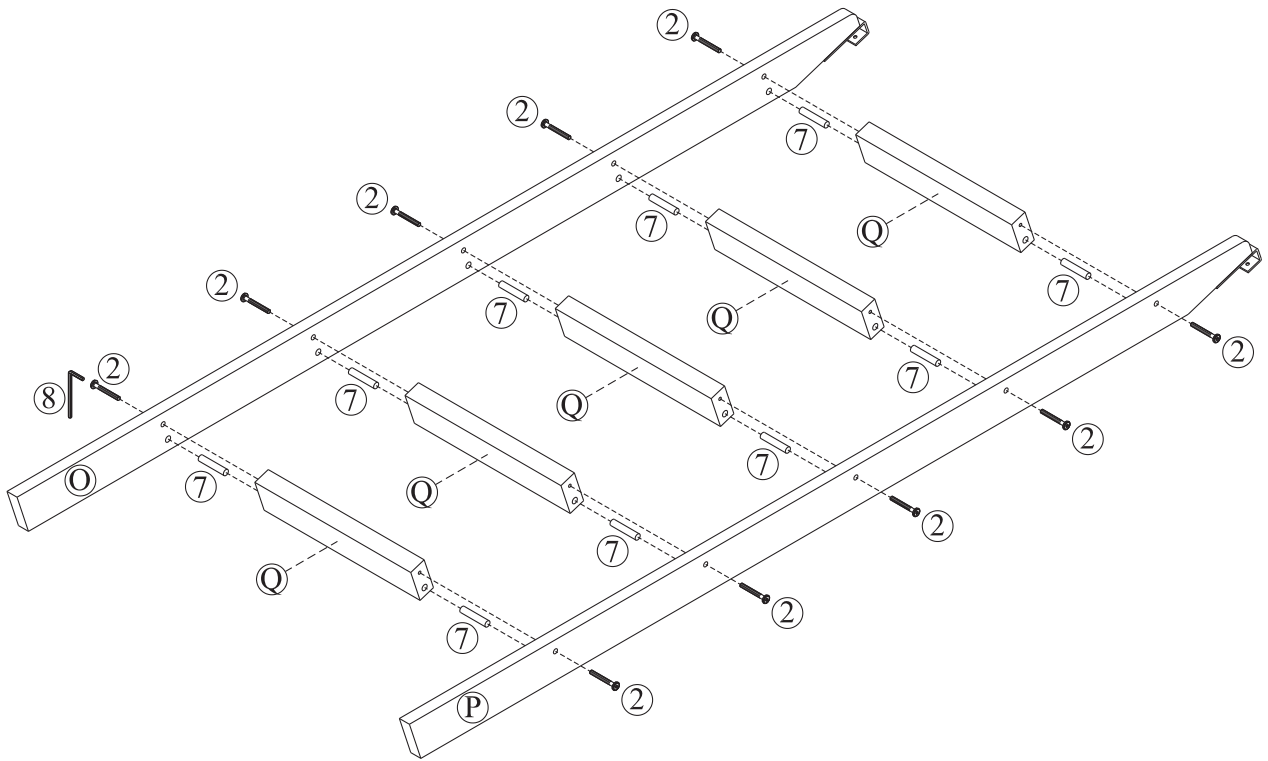


STEP 9

Attach a slat (L) onto top side rails (I & J) of the top bunk with flat head screws (4). Make sure the slat touches the corner posts (as close to the headboard as possible). Attach the other slats (L) onto the top side rails (I & J) with flat head screws (4). Use space block (Y) to space them out evenly as shown. Use Phillips screwdriver (not included) to tighten flat head screws (4).

NOTE: If you notice that any of the slats (L) are not perfectly flat, be sure to attach them so that the slats (L) curves up in the middle and down on the ends.

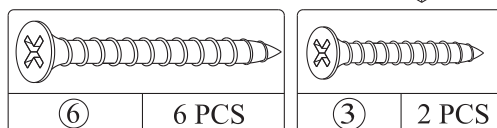
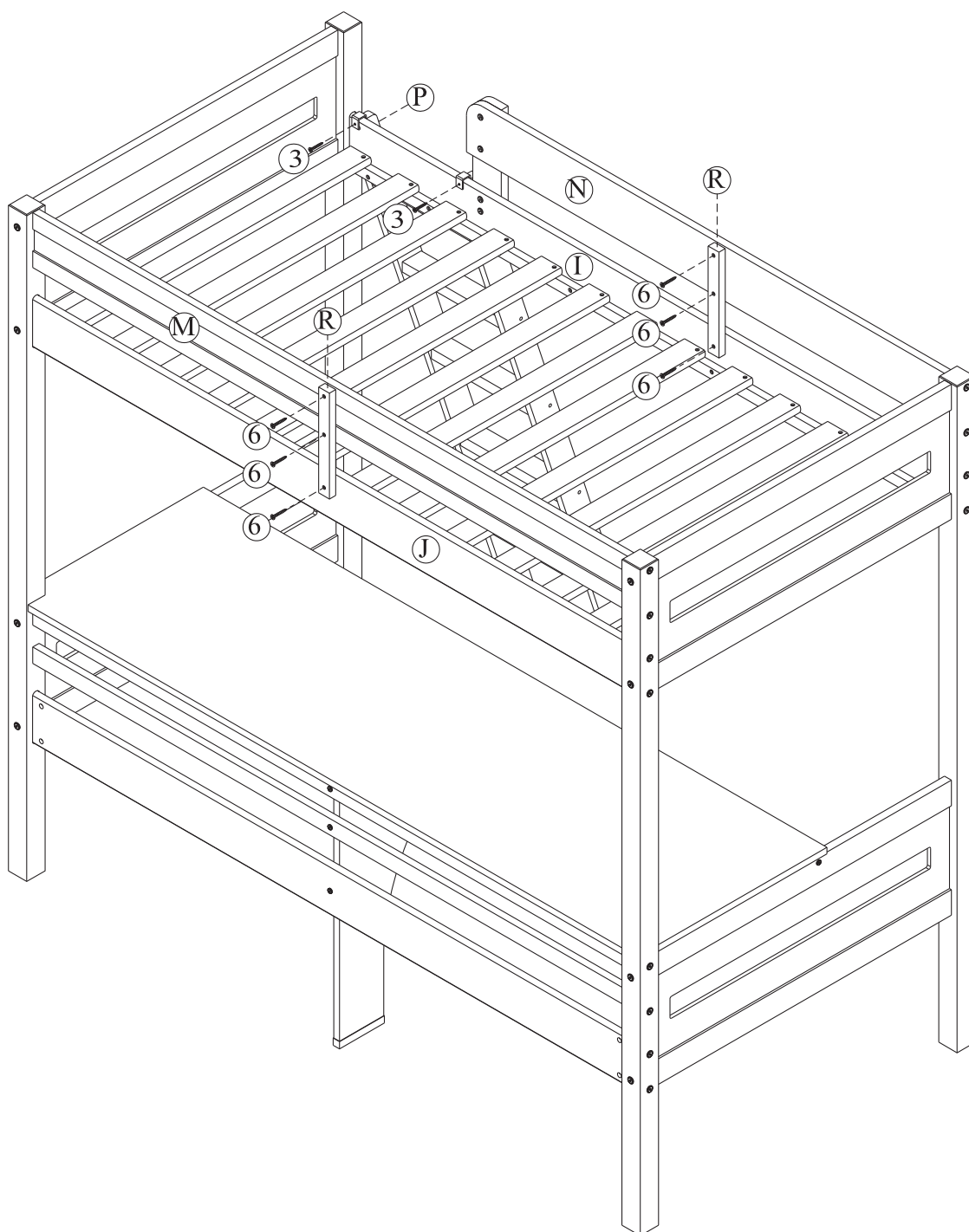
LOFT BED WITH DESK



STEP 10

To assemble the ladder, insert wood dowels (7) into the ends of the ladder steps (Q). Attach left ladder end (O) and right ladder end (P) to ladder steps (Q) with wood joint connectors (2). Tighten the wood joint connectors (2) with the Allen key (8).

LOFT BED WITH DESK



STEP 11

Attach the ladder to the top front side rail (I) with flat head screw (3) as shown. Use Phillips screwdriver (not included) to tighten flat head screws (3).

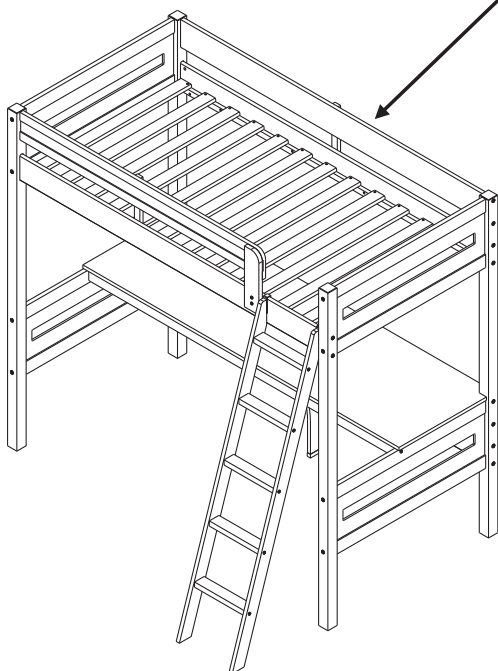
Attach the guardrail leg (R) to the short guardrail (N) and top front side rail (I) with flat head screws (6). Attach another guardrail leg (R) (on the other side of the bed) to long guardrail (M) and top back side rail (J) with flat head screws (6) as shown. Use Phillips screwdriver (not included) to tighten flat head screws (6).

LOFT BED WITH DESK

! CAUTION: This unit is intended for use only with the products and/or maximum weights indicated. Use with other products and/or products heavier than the maximum weights indicated may result in instability or cause possible injury.

DO NOT ALLOW HORSEPLAY ON OR UNDER THE BED AND PROHIBIT JUMPING ON THE BED.

DO NOT ALLOW CHILDREN UNDER 6 YEARS OF AGE TO USE THE UPPER BUNK. BED IS DESIGNED FOR CHILDREN RANGING FROM 6 YEARS OF AGE TO YOUNG TEENAGERS.



USE ONLY A MATTRESS WHICH IS 74"-75" LONG AND 37 1/2" - 38 1/2" WIDE ON UPPER BUNK. ENSURE THICKNESS OF MATTRESS DOES NOT EXCEED 6".

MAXIMUM WEIGHT CAPACITY:

- 165 LBS (75KGS) ON UPPER BUNK
- 100 LBS ON DESK

That's it! You've finished assembling your loft bed.

DO NOT RETURN PRODUCT TO THE STORE.

If a part is missing or damaged, contact our customer service department. We will replace the part **FREE** of charge.