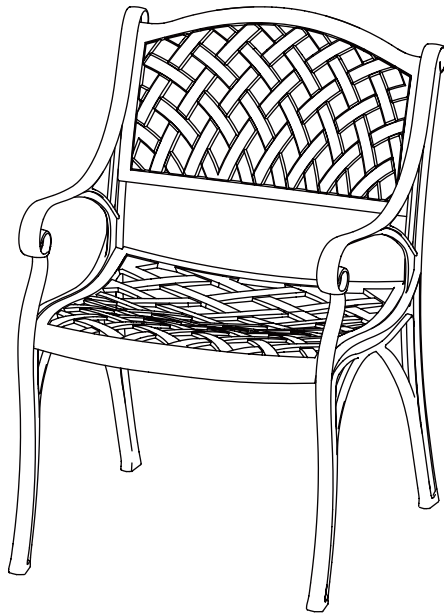
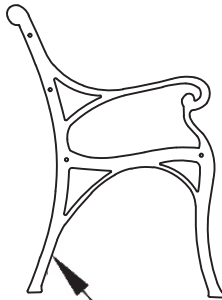
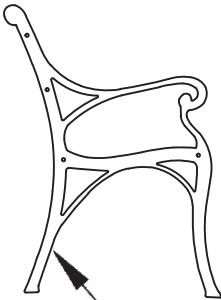
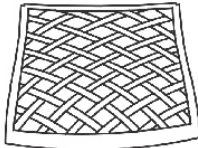
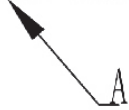
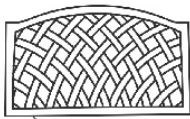
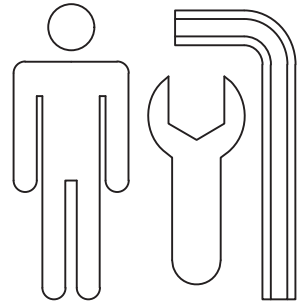
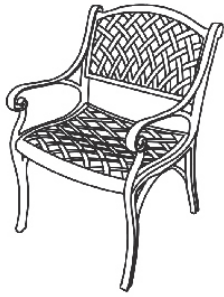



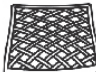






INSTRUCTION MANUAL

Cast Aluminum Dining ArmChair





Note: The 2 armrests (C&D) are universal.

Part Number	Images and Sizes	Qty.
A		1
B		1
C		1
D		1
E	 M8*35	4
F	 M8*20	4
G	 M8	8
H	 M8	8

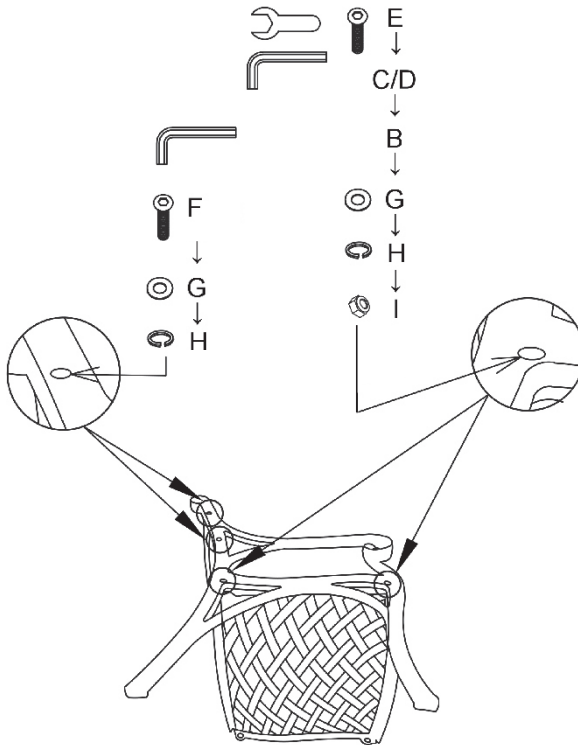
			I	 M8	4
--	--	--	---	---	---

ASSEMBLY INSTRUCTIONS



CAVEAT

Note: Please only tighten any bolts once all bolts are placed correctly and the product is lying flat. If you tighten one bolt, it may cause other bolts to get out of position.



STEP 1

Connect the backrest (A) to the armrest (C/D) with 2 bolts (F), 2 washers (G), and 2 spring washers (H).

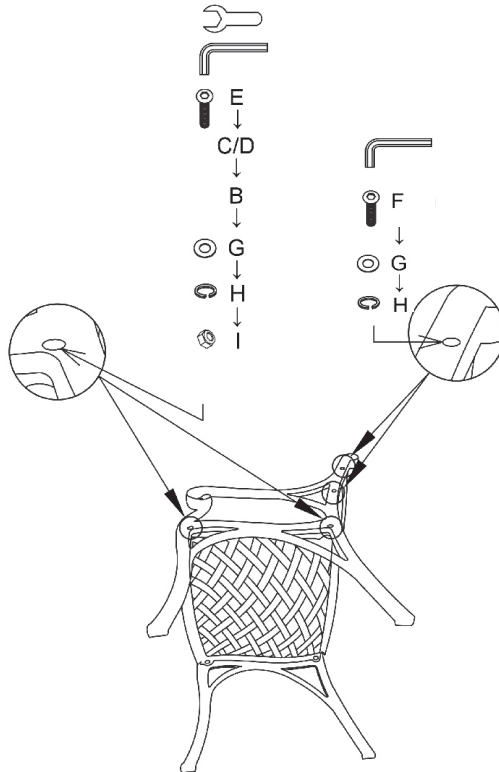
Attach the seat (B) to the armrest (C/D) using 2 bolts (E), 2 washers (G), 2 spring washers (H), and 2 nuts (I). Do not over-tighten the screws.

ASSEMBLY INSTRUCTIONS



CAVEAT

Note: Please only tighten any bolts once all bolts are placed correctly and the product is lying flat. If you tighten one bolt, it may cause other bolts to get out of position.



STEP 2

Connect the backrest (A) to the armrest (C/D) with 2 bolts (F), 2 washers (G), and 2 spring washers (H).

Attach the seat (B) to the armrest (C/D) using 2 bolts (E), 2 washers (G), 2 spring washers (H), and 2 nuts (I). Do not over-tighten the screws.

Upon completing the entire assembly and bolting up, you can tighten down all screws.

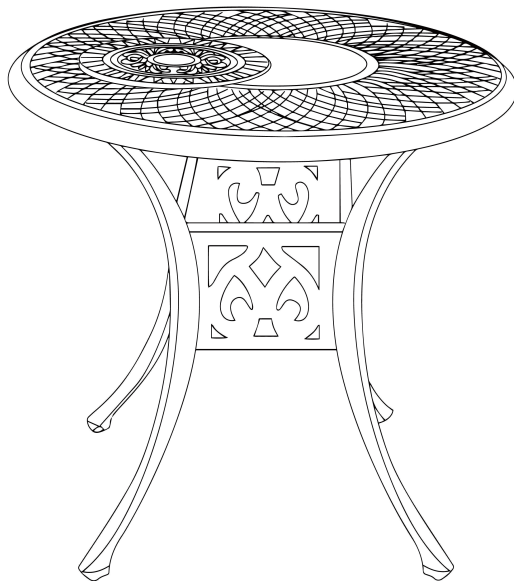
CARE AND MAINTENANCE

Follow the instructions for the product's material to ensure it stays in the best shape as long as possible. The information below is a general guideline.

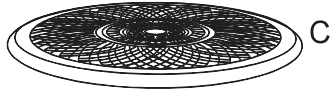
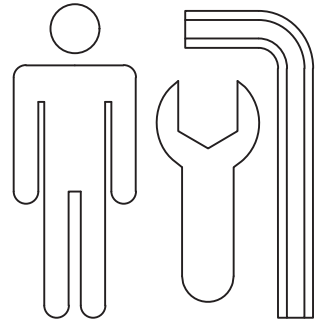
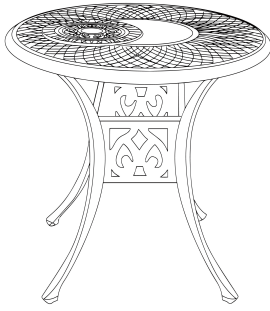
Don't hesitate to get in touch with us to learn more.

- Only rinse it thoroughly with clean water to wash away dirt and grime. Never use abrasive cleansers on the furniture since they can attack the surface and leave behind scratch marks.
- For stubborn grime and stains, use a soft sponge and mild soapy water. Then dry it with a cloth or paper towel.
- Check the stability of the screws, nuts, and nut caps before each use. Then, tighten them up after one to two months' use whenever required.
- Avoid improper use, and be careful not to scratch or damage the surface with sharp objects.
- When you move your furniture, lift it rather than pulling or pushing it to avoid damaging the floor, legs, and mounting.

INSTRUCTION MANUAL

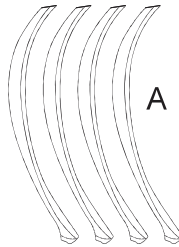
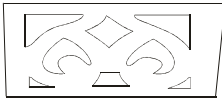
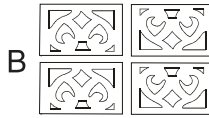
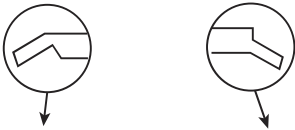


**Cast Aluminum Round Dining Table
With Ice Bucket Function**



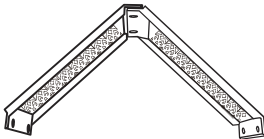
Note 1

It's two different sides to this part.



Note 2

Pay attention to installing this part.



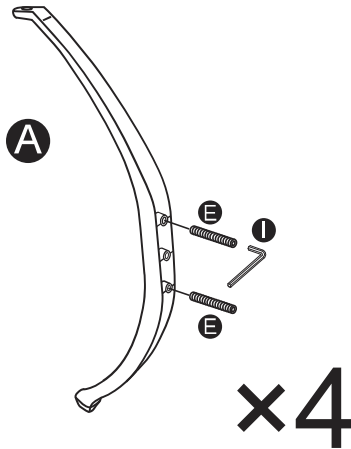
Part Number	Images and Sizes	Qty.
A		4
B		4
C		1
D		1
E		12
F		12
G		12
H		12
I		1
J		1

ASSEMBLY INSTRUCTIONS



CAVEAT

Note: Please only tighten any bolts once all bolts are placed correctly and the product is lying flat. If you tighten one bolt, it may cause other bolts to get out of position.



STEP 1

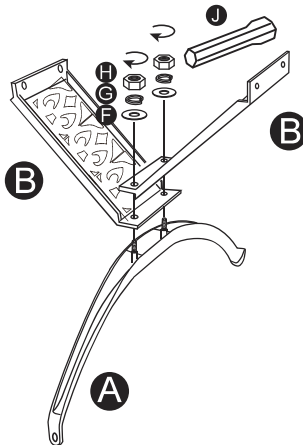
Insert the 8 bolts (E) into the hole of the 4 legs (A) with an Allen wrench (I). Do not over-tighten the screws.

ASSEMBLY INSTRUCTIONS



CAVEAT

Note: Please only tighten any bolts once all bolts are placed correctly and the product is lying flat. If you tighten one bolt, it may cause other bolts to get out of position.



STEP 2

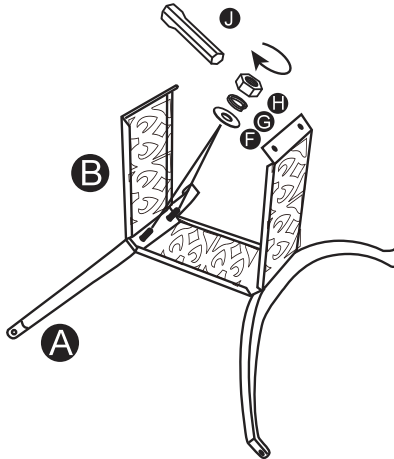
Attach 2 fixed frames (B) to the legs (A), using 2 nuts (H), 2 spring washers (G), and 2 washers (F) with the socket wrench (J). Do not over-tighten the screws.

ASSEMBLY INSTRUCTIONS



CAVEAT

Note: Please only tighten any bolts once all bolts are placed correctly and the product is lying flat. If you tighten one bolt, it may cause other bolts to get out of position.



STEP 3

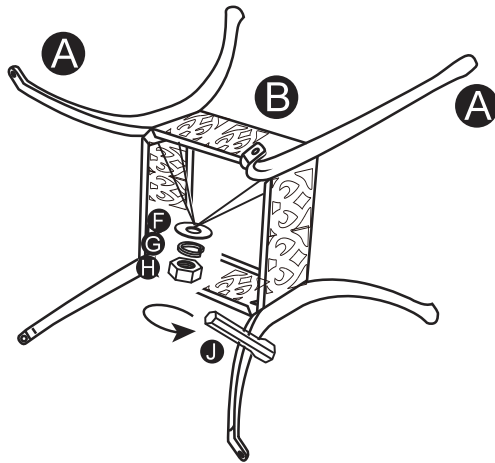
Attach 2 fixed frames (B) to the legs (A), using 2 nuts (H), 2 spring washers (G), and 2 washers (F) with the socket wrench (J). Do not over-tighten the screws.

ASSEMBLY INSTRUCTIONS



CAVEAT

Note: Please only tighten any bolts once all bolts are placed correctly and the product is lying flat. If you tighten one bolt, it may cause other bolts to get out of position.



STEP 4

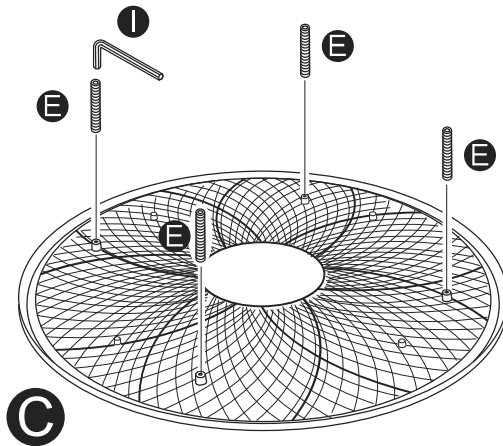
Fasten all the fixed frames (B) to the legs (A), using 4 nuts (H), 4 spring washers (G), and 4 washers (F) with the socket wrench (J). Do not over-tighten the screws.

ASSEMBLY INSTRUCTIONS



CAVEAT

Note: Please only tighten any bolts once all bolts are placed correctly and the product is lying flat. If you tighten one bolt, it may cause other bolts to get out of position.



STEP 5

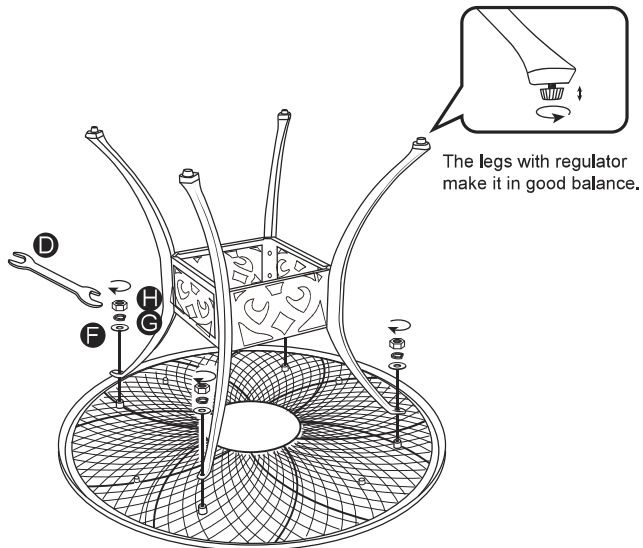
Insert the 4 bolts (E) into the hole of the tabletop (C) with Allen wrench (I). Do not over-tighten the screws.

ASSEMBLY INSTRUCTIONS



CAVEAT

Note: Please only tighten any bolts once all bolts are placed correctly and the product is lying flat. If you tighten one bolt, it may cause other bolts to get out of position.



STEP 6

Attach the 4 legs (A) to the tabletop (C), using 4 nuts (H), 4 spring washers (G), and 4 washers (F) with the wrench (D). Do not over-tighten the screws. The legs with regulator make it in good balance.

Upon completing the entire assembly and bolting up, you can tighten down all screws.

CARE AND MAINTENANCE

Follow the instructions for the product's material to ensure it stays in the best shape as long as possible. The information below is a general guideline.

Don't hesitate to get in touch with us to learn more.

- Only rinse it thoroughly with clean water to wash away dirt and grime. Never use abrasive cleansers on the furniture since they can attack the surface and leave behind scratch marks.
- For stubborn grime and stains, use a soft sponge and mild soapy water. Then dry it with a cloth or paper towel.
- Check the stability of the screws, nuts, and nut caps before each use. Then, tighten them up after one to two months' use whenever required.
- Avoid improper use, and be careful not to scratch or damage the surface with sharp objects.
- When you move your furniture, lift it rather than pulling or pushing it to avoid damaging the floor, legs, and mounting.