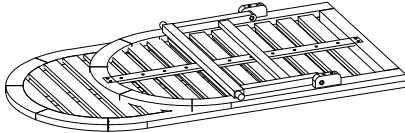
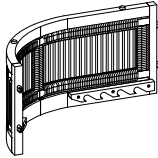
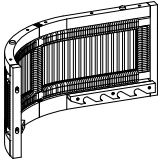

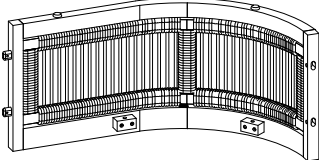
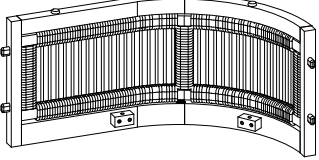
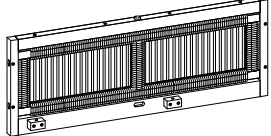


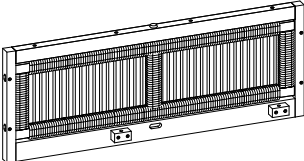
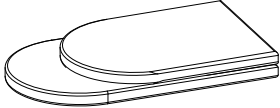


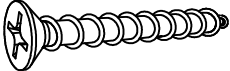
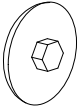

Hello! Please read these important attentions...

Please put a thick carpet on the ground to protect the furniture finish and corners. During the installation process, **DON' T** fasten screws tight 100% at a time.

ASSEMBLY INSTRUCTIONS

NUMBER	COMPONENT	QUANTITY
A	 <p>TOP PART</p>	1PC
B	 <p>FRONT LEG 1</p>	1PC
C	 <p>FRONT LEG 2</p>	1PC
D	 <p>THE TIE ROD</p>	2PCS
E	 <p>BACK LEG 1</p>	1PC
F	 <p>BACK LEG 2</p>	1PC
G	 <p>MIDDLE LEG 1</p>	1PC

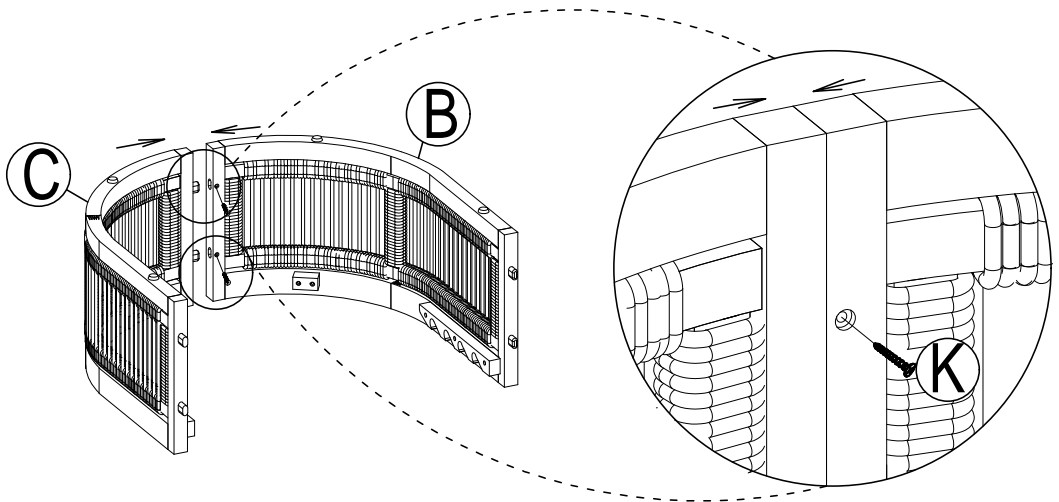
ASSEMBLY INSTRUCTIONS

NUMBER	COMPONENT	QUANTITY
H	 <p>MIDDLE LEG 2</p>	1PC
I	 <p>CUSHION</p>	1PC
J	 <p>SCREW M7X90 MM</p>	4PCS
K	 <p>SCREW M4X20 MM</p>	12PCS
L	 <p>SCREW M4X35 MM</p>	8PCS
M	 <p>PLASTIC LID</p>	4PCS
N	 <p>M4</p>	1PC

NOTE: The accessory pack does not include a screwdriver. Please prepare a screwdriver before you assemble.

ASSEMBLY INSTRUCTIONS

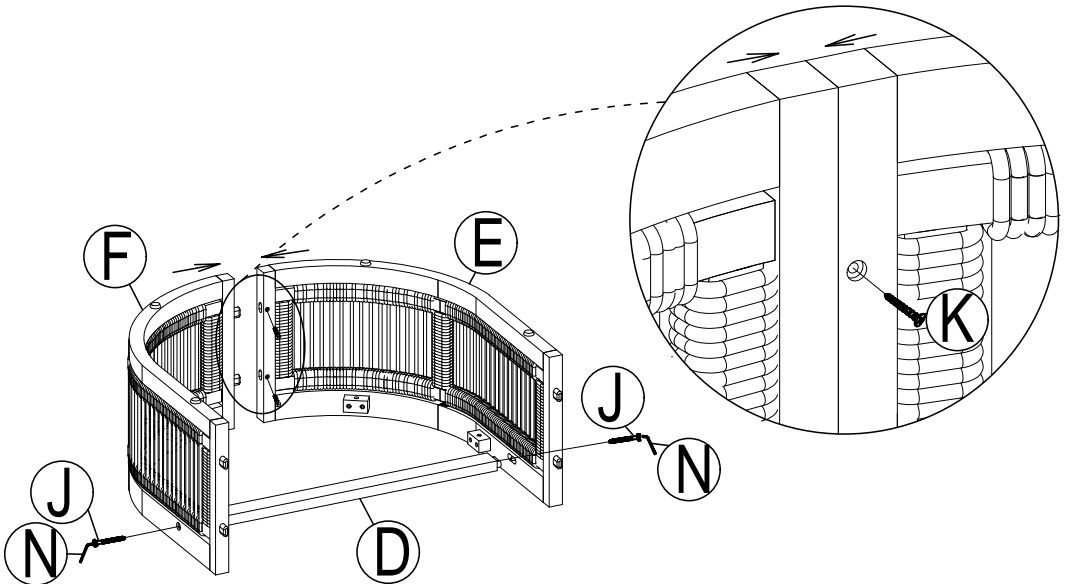
1



Use the Allen M4 (N) and the Screws 4X20 MM (K) to connect the Front Leg 1 (B) and the Front Leg 2 (C) together.

ASSEMBLY INSTRUCTIONS

2

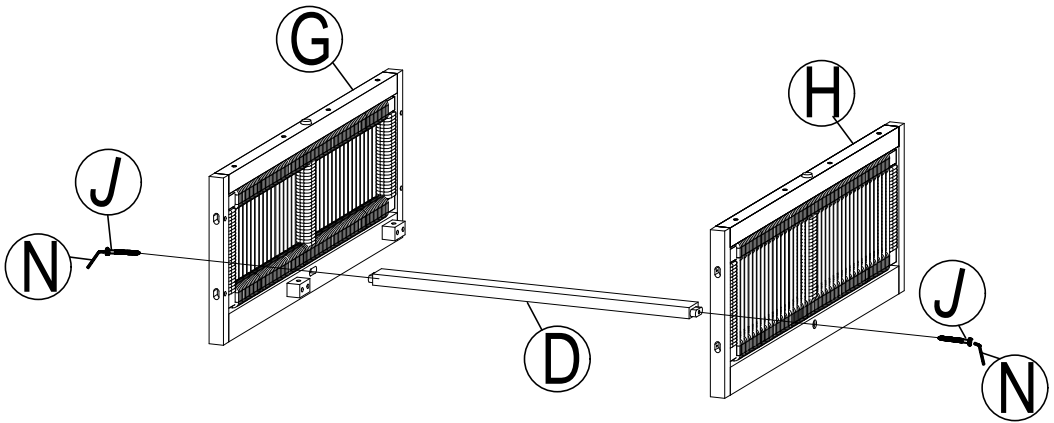


Use the Allen M4 (N) and the Screws 4X20 MM (K) to connect the Back Leg 1 (E) and the Back Leg 2 (F) together.

Use the Allen M4 (N) and the Screws 7X90 MM (J) to connect the Tie Rod to the Back Leg Cluster.

ASSEMBLY INSTRUCTIONS

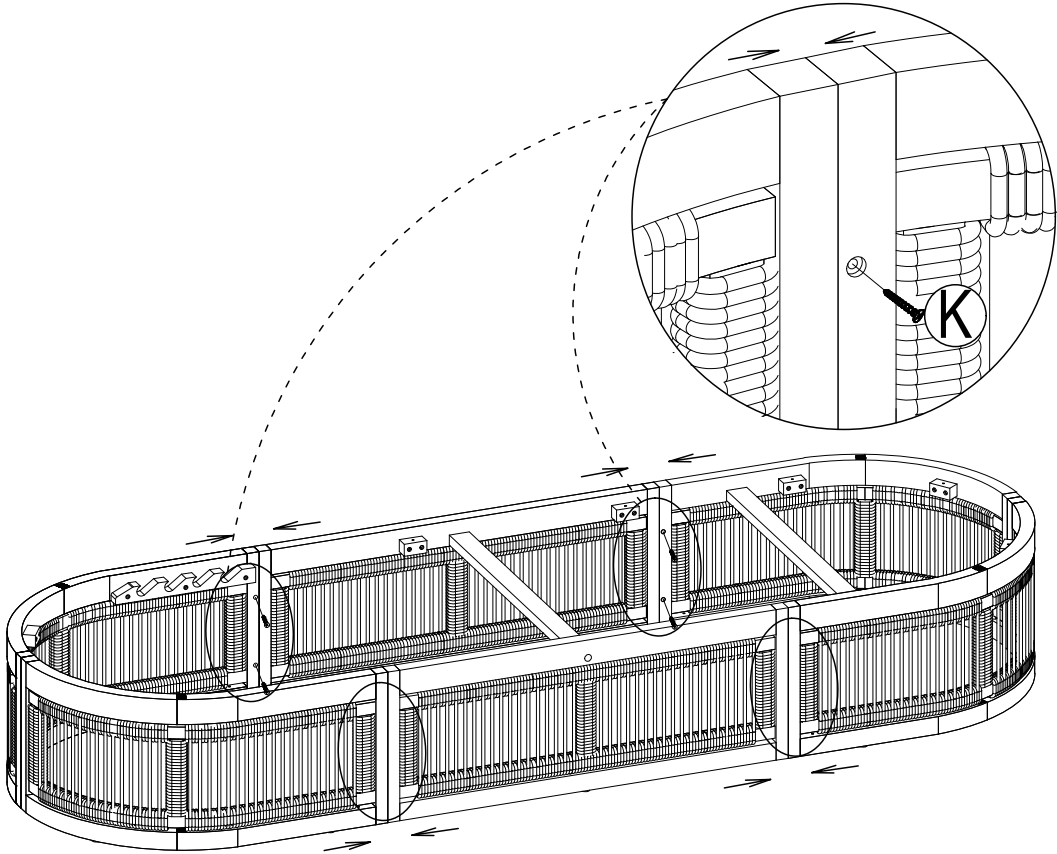
3



Use the Allen M4 (N) and the Screws 7X90 MM (J) to connect the Tie Rod to the Middle Leg 1 (G) and the Middle Leg 2 (H).

ASSEMBLY INSTRUCTIONS

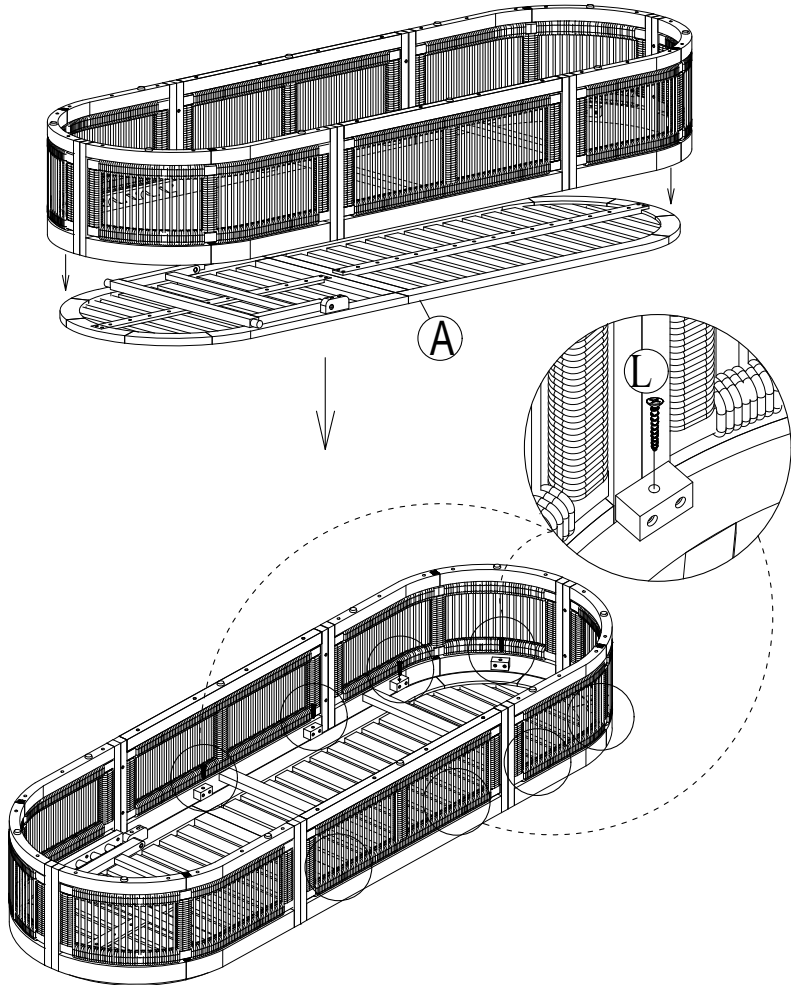
4



Use the Allen M4 (N) and the Screws 4X20 MM (K) to connect the Front Leg Cluster and the Back Leg Cluster to the Middle Leg Cluster together.

ASSEMBLY INSTRUCTIONS

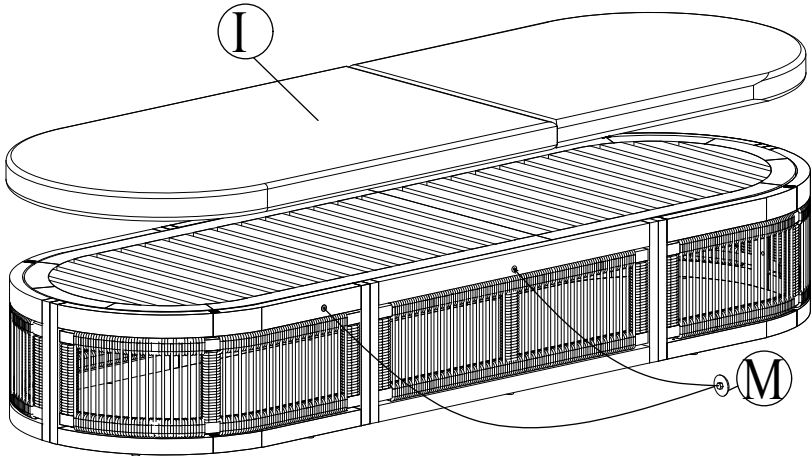
5



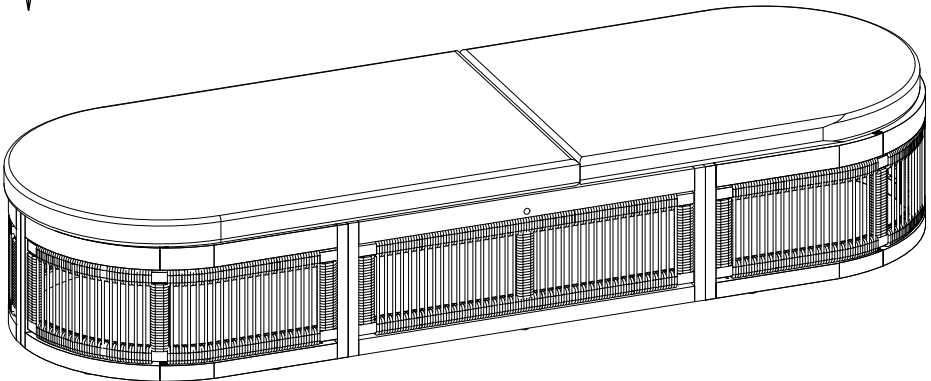
Use the Allen M4 (N) and the Screws 4X35 MM (L) to connect the Leg Cluster to the Table Top (A).

ASSEMBLY INSTRUCTIONS

6

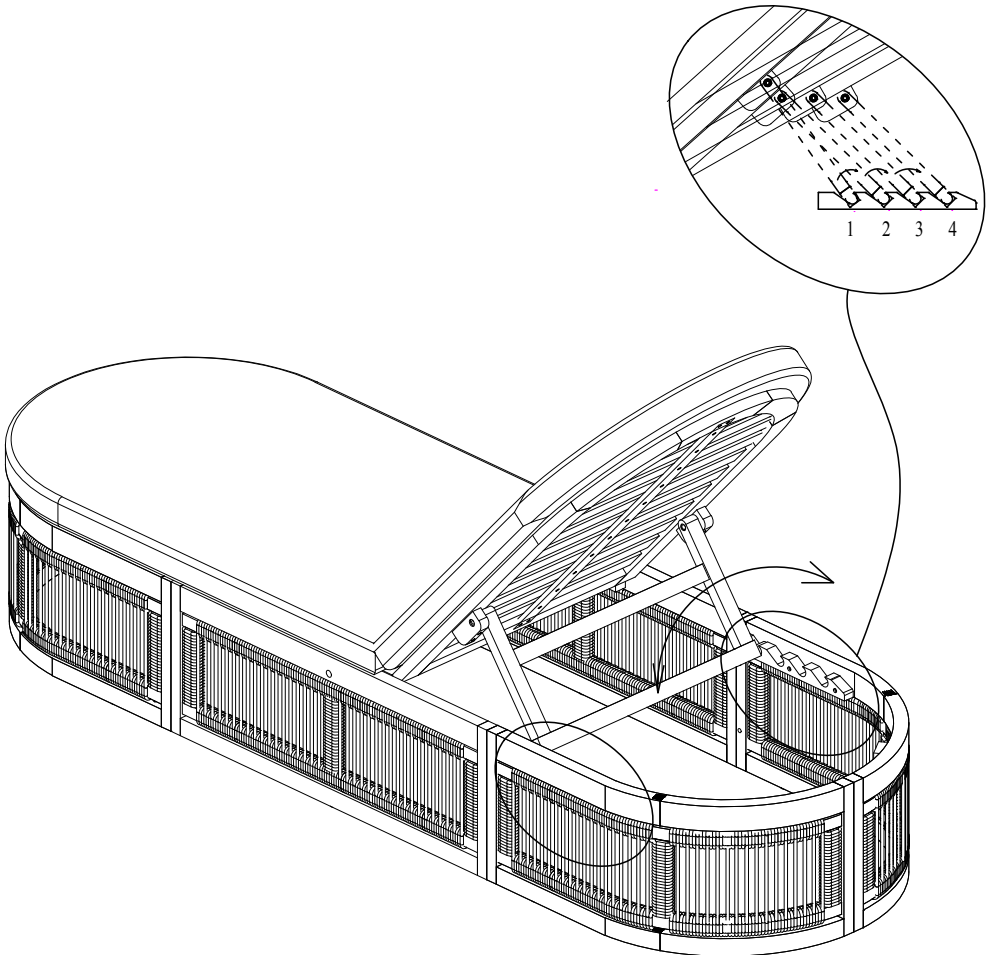


Put the Cushion (I) on the top of the Sunbed.
Use the Plastic Lid (M) to cover the Screw Heads.



ASSEMBLY INSTRUCTIONS

7



We can adjust 4-position in the Head of the Sunbed.

ASSEMBLY INSTRUCTIONS

8

