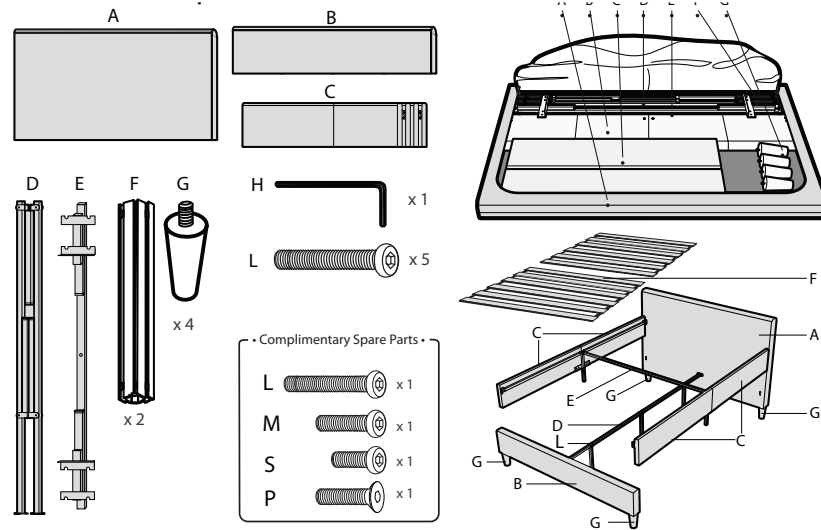
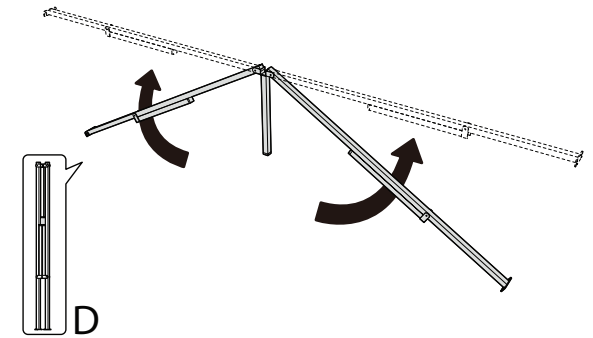


Upholstered Platform Bed Frame Instructions

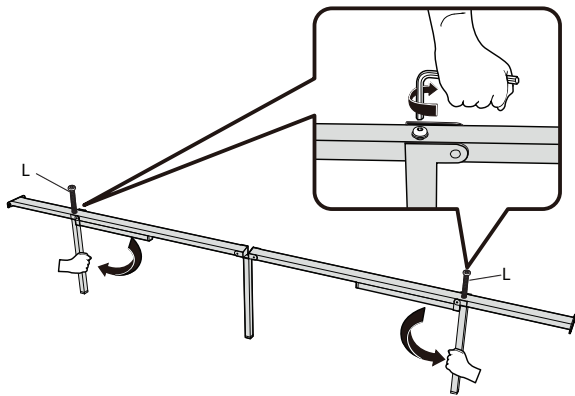
Let's
build it,
shall we?



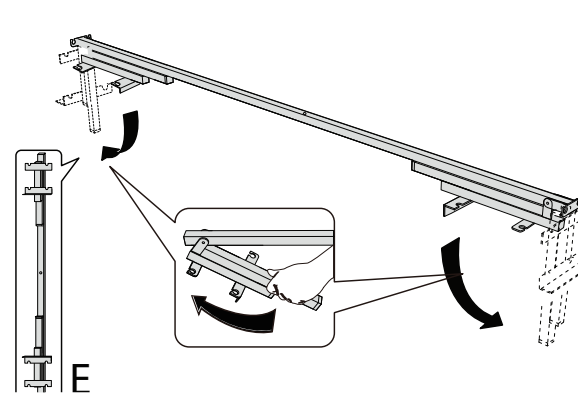
1



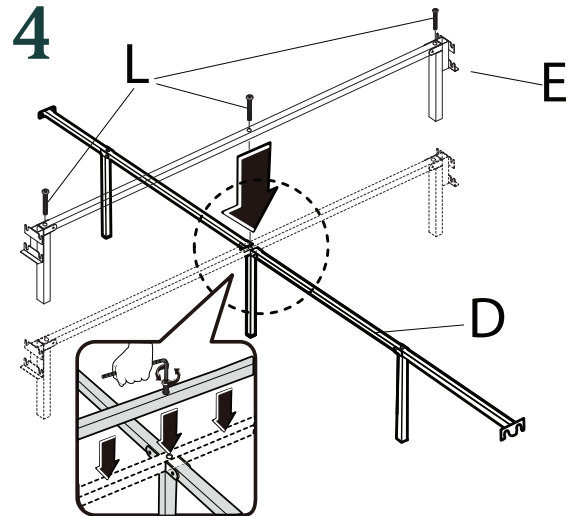
2



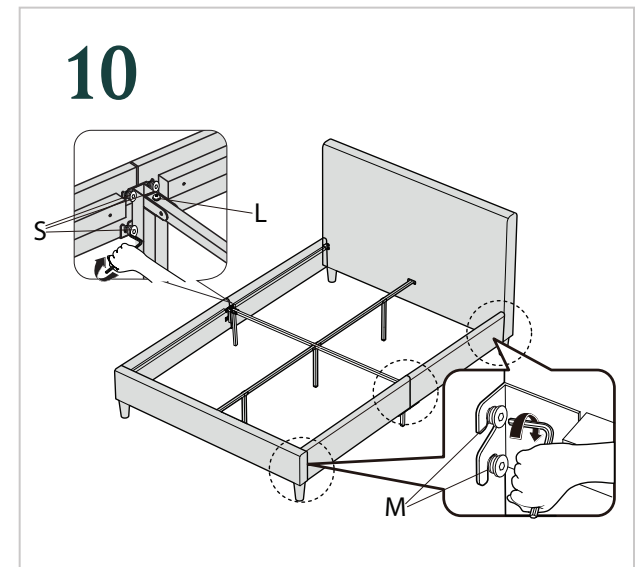
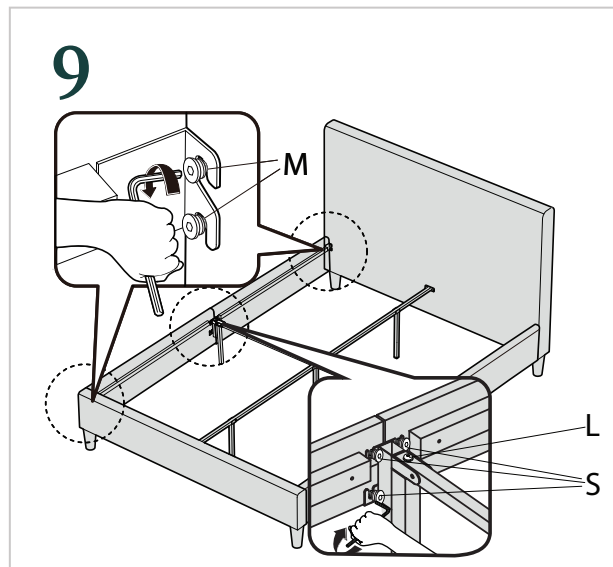
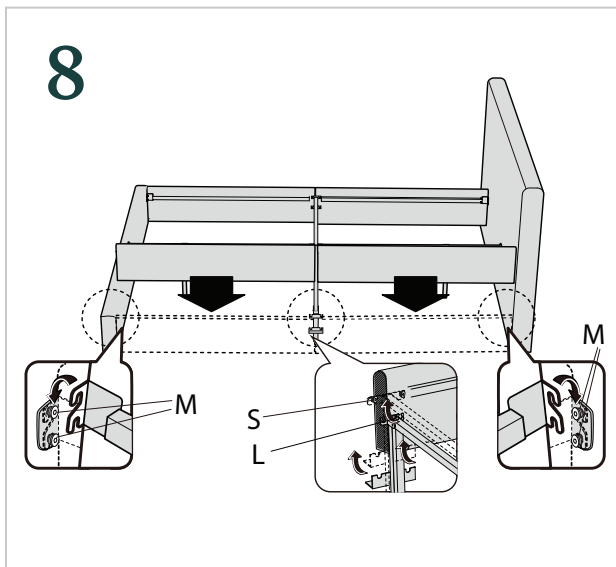
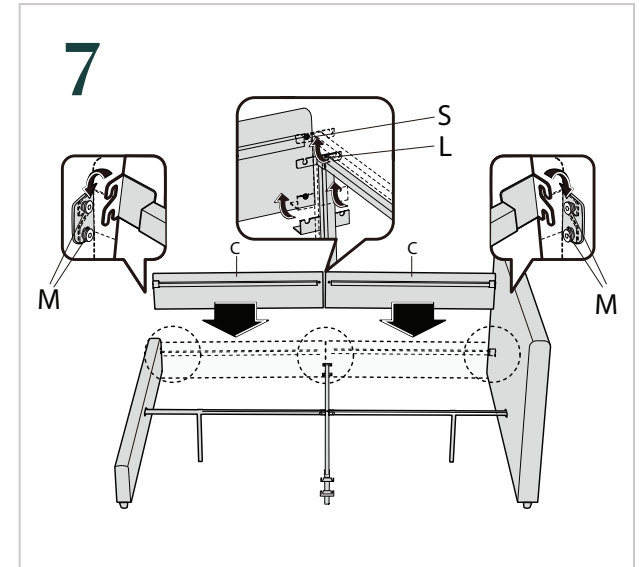
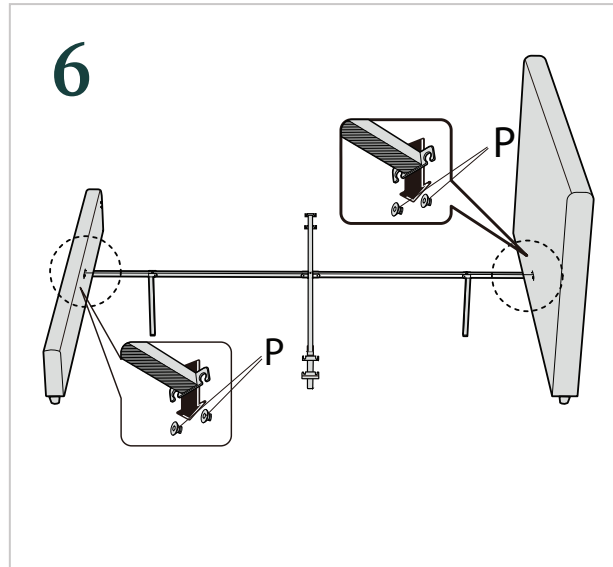
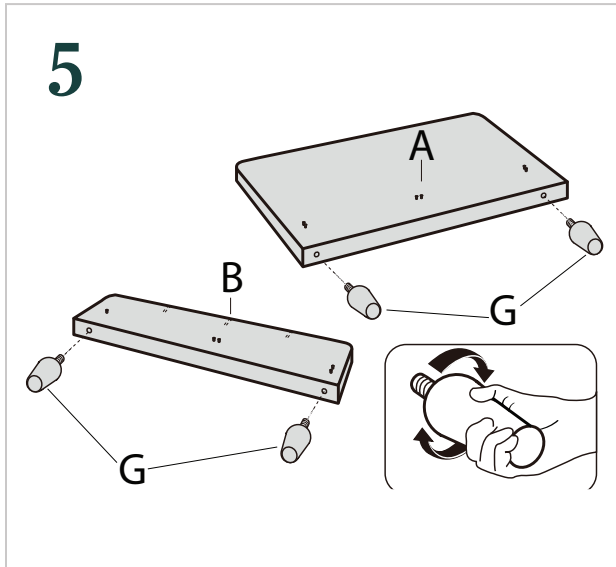
3



4

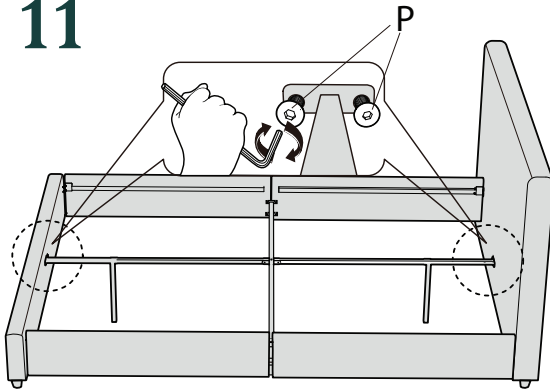


Upholstered Platform Bed Frame Instructions



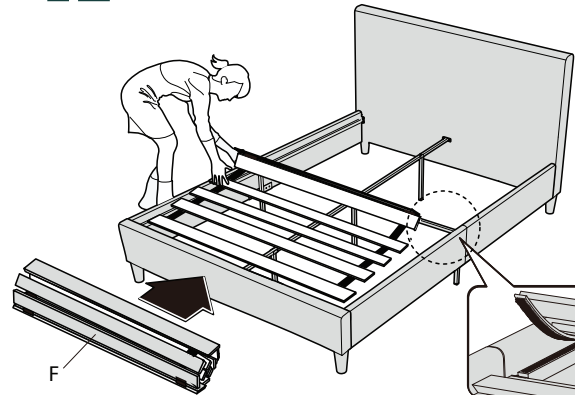
Upholstered Platform Bed Frame Instructions

11

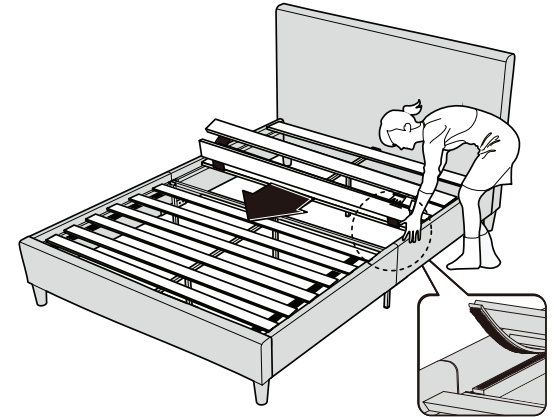


To be fully tightened after placing all side rails.

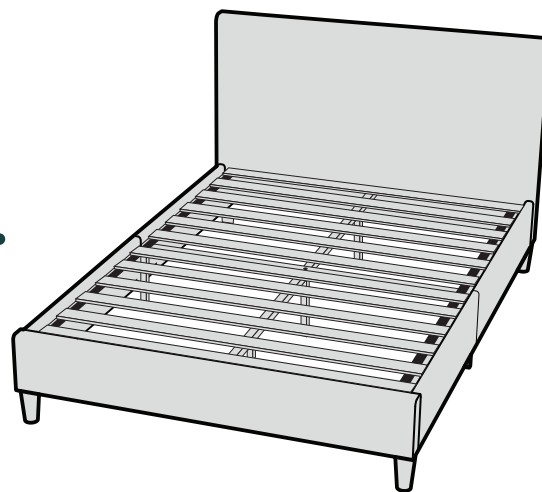
12



13



Excellent work.



If you have any questions about your new upholstered platform bed frame, our friendly customer service team would love to answer them. Or if by some chance you have a warranty issue, we can take care of that too.

Whistle while you work.

OR IF YOU'RE ALREADY LOUNGING IN PILLOWY SOFTNESS...

May we suggest a little game? One person asks their bed buddy for the missing words and then fills them in. When the story is complete, you read it aloud. Enjoy.

The Big Day

_____ and I were _____ when the doorbell rang. We _____ to the door and _____ it.
CELEBRITY **VERB -ING** **VERB** **VERB -ED**

A _____ _____ box the size of a/n _____ was _____ sitting there waiting for us. _____
ADJECTIVE **COLOR** **OBJECT** **ADVERB** **CANDY**

yelled _____ ! Let's open it! Patience _____ , I said. Let's bring it inside first. Before we
SAME CELEB **NICKNAME**

could shut the door behind us, _____ burst through into the _____. My _____ fell to
NUMBER **ANIMALS** **ROOM** **BODY PART**

the floor in shock. The _____ guests _____ around the room before _____ letting themselves
ADJECTIVE **VERB -ED** **ADVERB**

out an open window. _____ and _____ exclaimed _____ ! I picked my _____ off the
FOOD **FOOD** **SAME CELEB** **BODY PART**

ground. That was _____. We almost forgot about the box, I said. Let's open it before anything else
ADJECTIVE

_____ happens...
ADJECTIVE