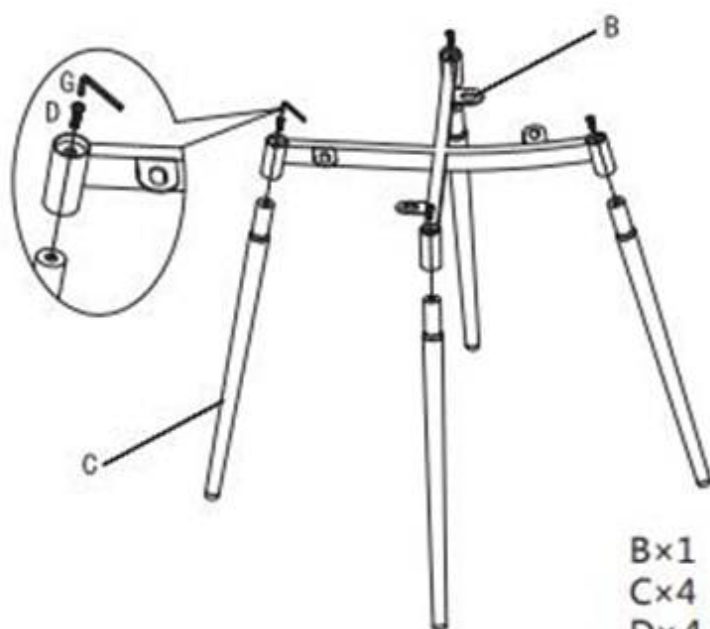


# ASSEMBLY INSTRUCTIONS

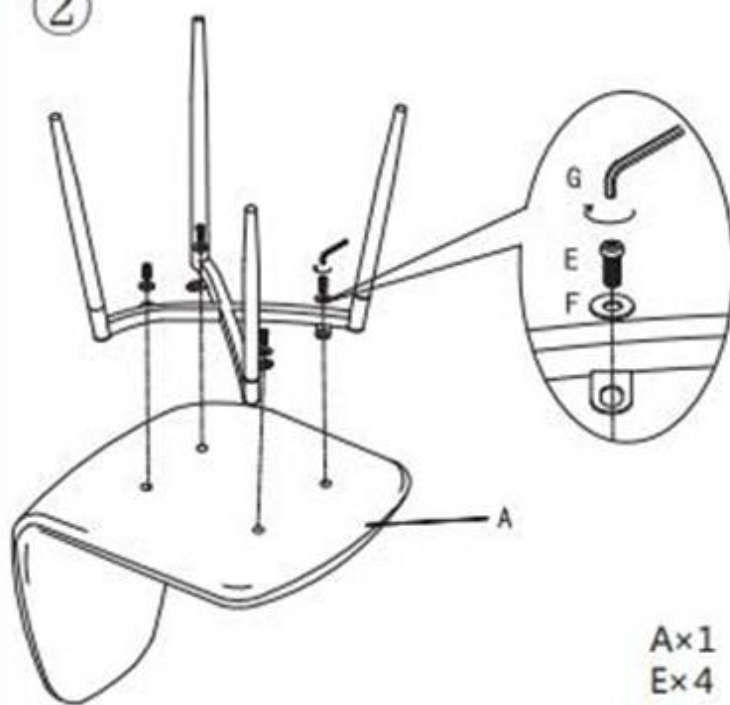


①

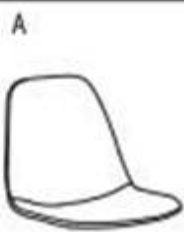


Bx1  
Cx4  
Dx4  
Gx1

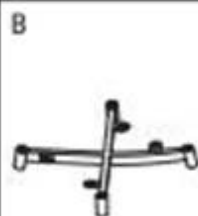
②



Ax1  
Ex4  
Fx4  
Gx1



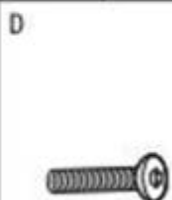
1x



1x



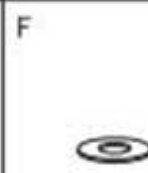
4x



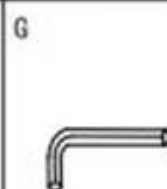
M8x30mm  
4x



M6x16mm  
4x



6x18mm  
4x



1x