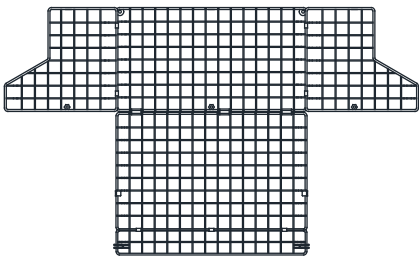
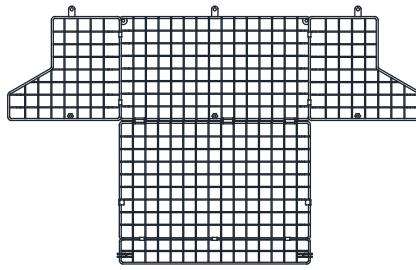


Assembly Instructions

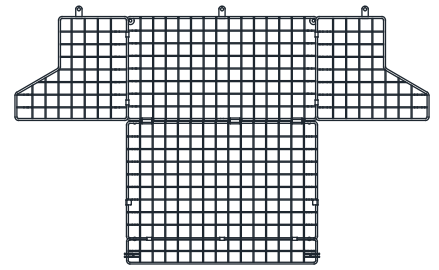
Parts Included



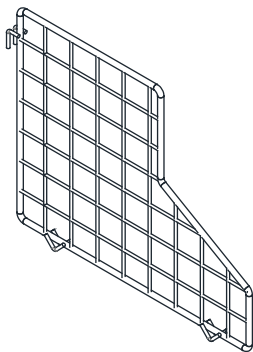
1pc
A



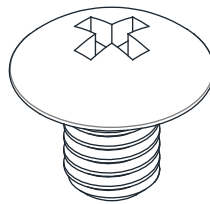
1pc
B



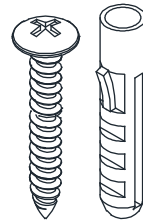
1pc
C



5pcs
D



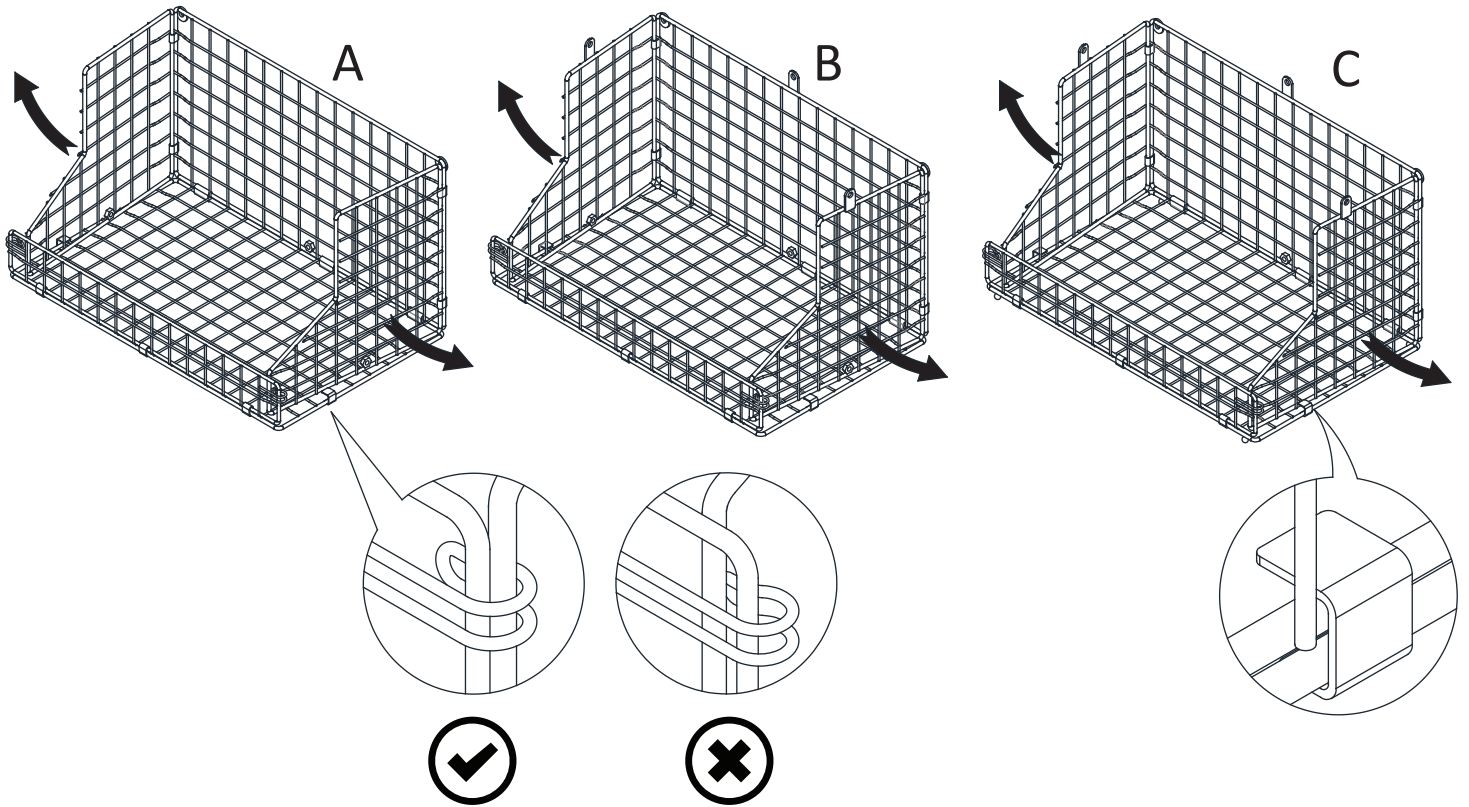
8pcs
①



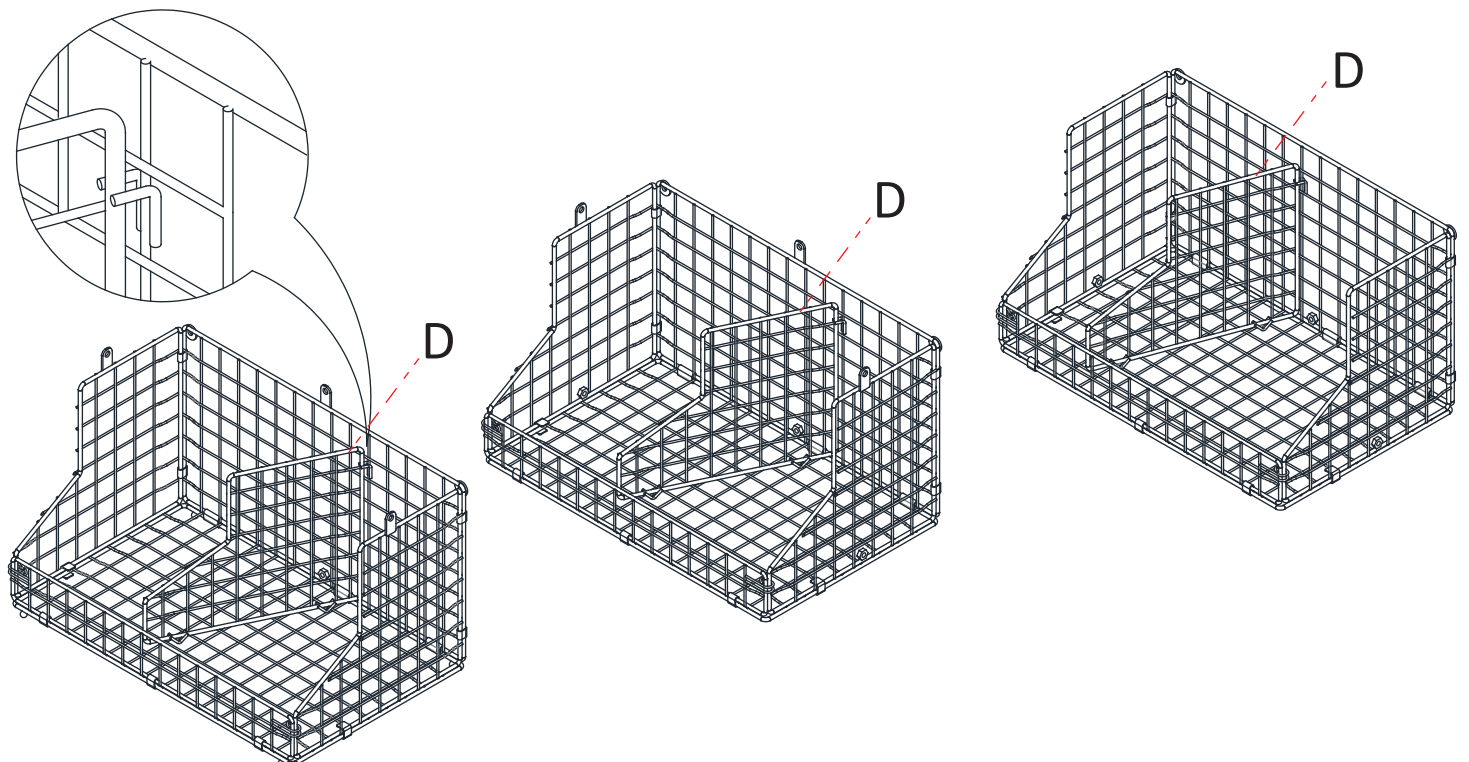
8pcs
②

Installation steps

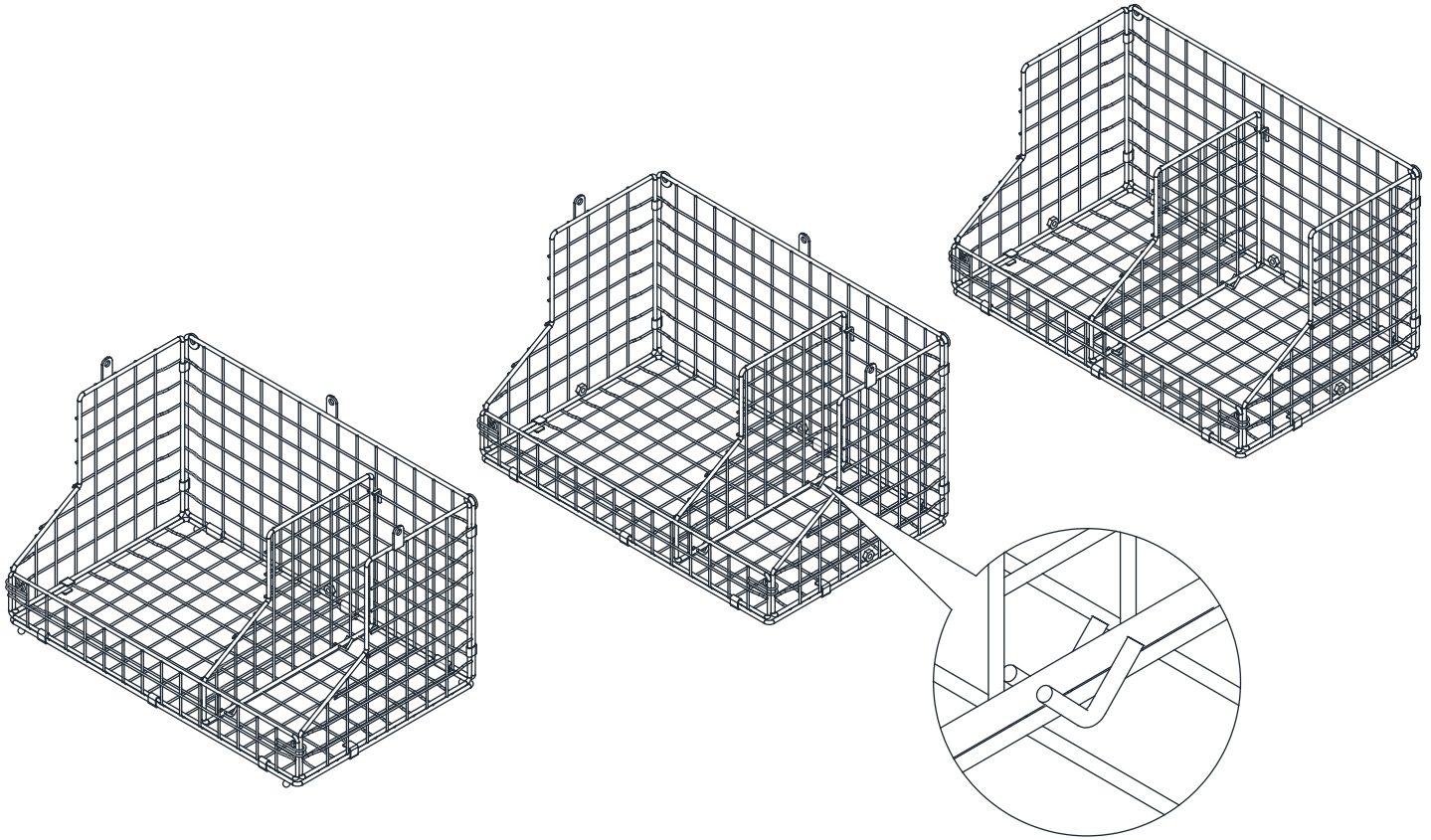
1. Place each basket as shown in the following picture, align the sides with the buckles on the bottom and front, then push them outward to lock them tightly.
(The 3 baskets are assembled in the same way, just repeat this step).



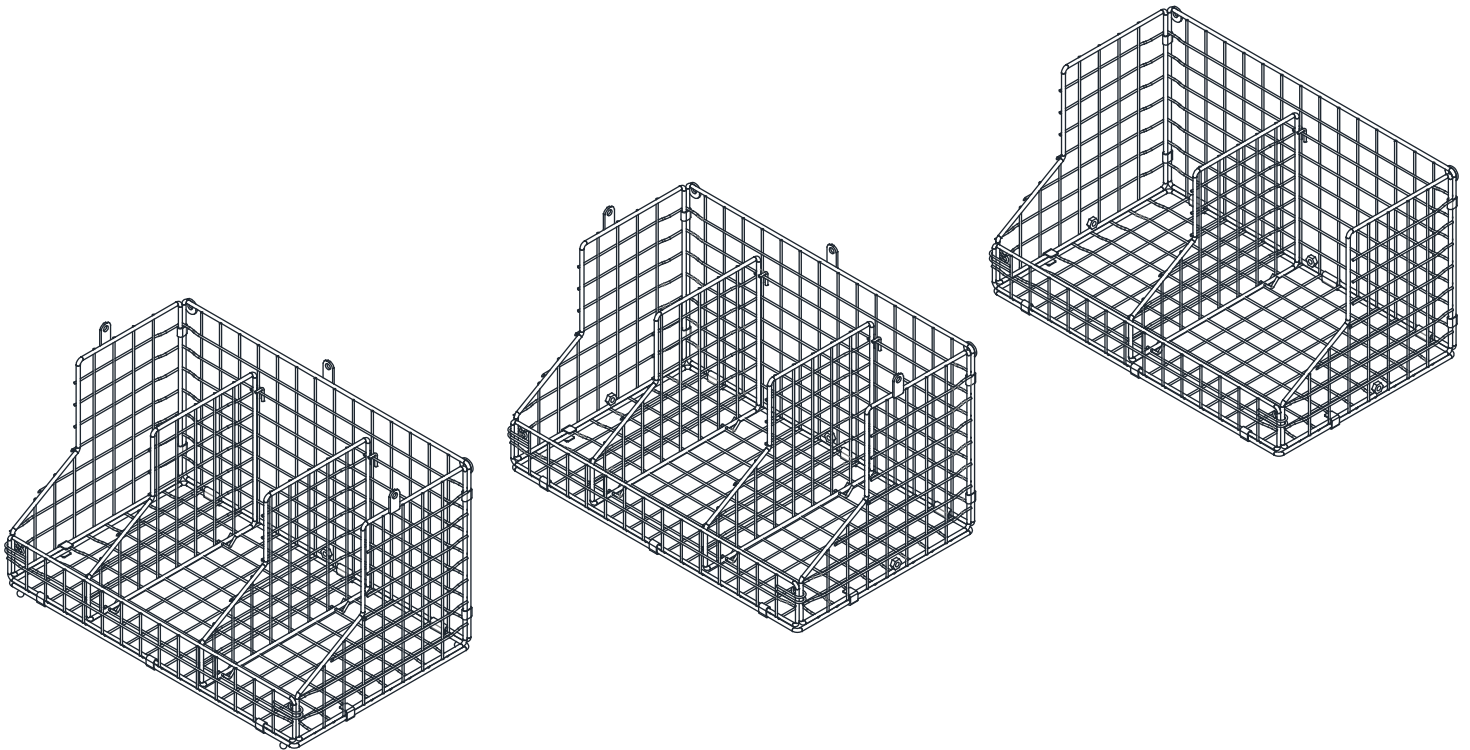
2. Tilt divider D into the basket, stuck the divider hook to the back wire.



3. Move the divider D in parallel, the slot at the bottom of the divider is stuck on the bottom wire.

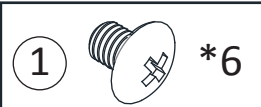
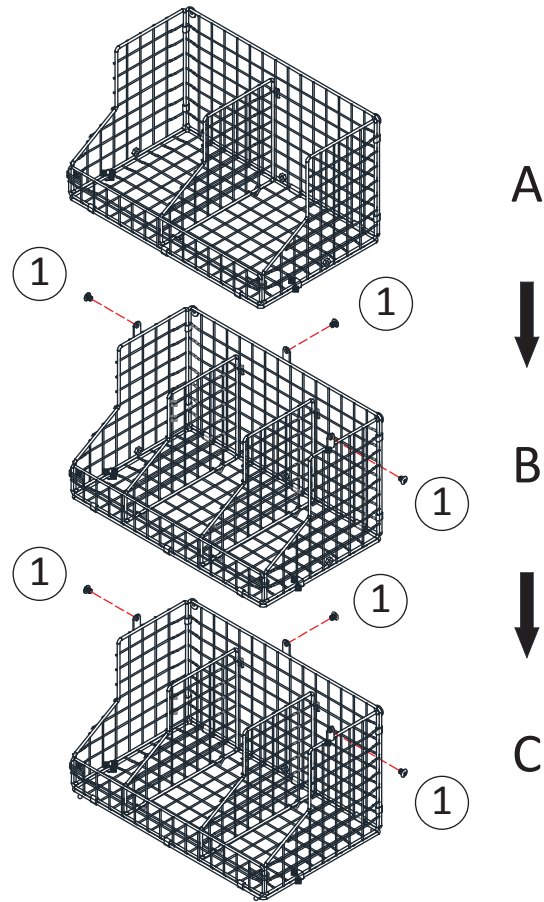


4. 3 baskets can be used separately.



5. Connect baskets A/B/C with screws ①.

Note: In this installation method, the baskets A/B/C need to be connected in the following order.



6. Finish.

