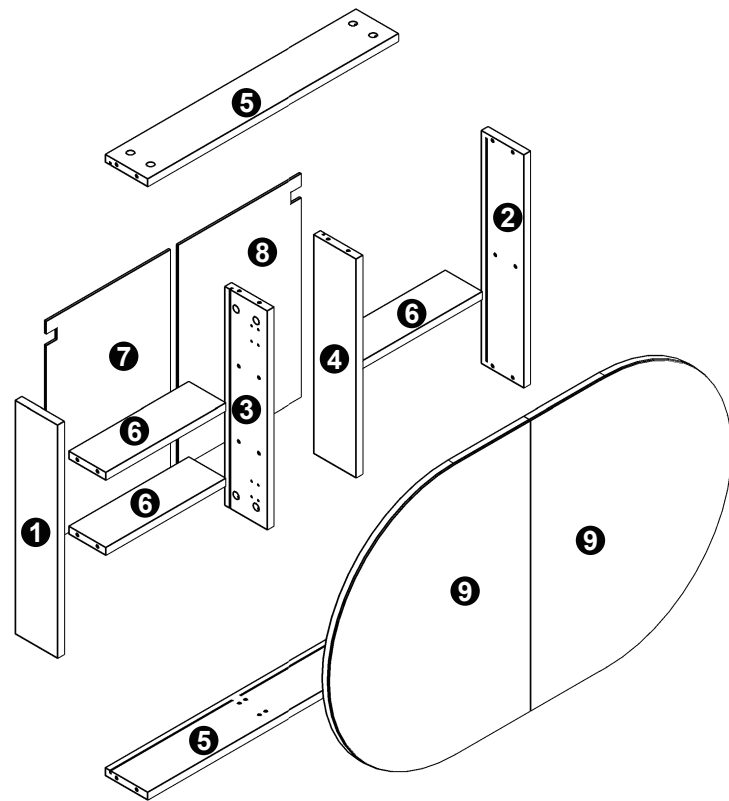
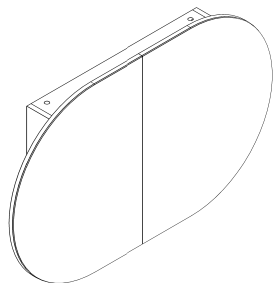


Part List



Open the package, and put the item on the mat with care. Please install it carefully to ensure your fingers will not be scratched.



Hardware List

A



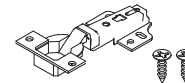
×(16+2)

B



×(16+2)

C



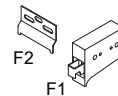
×4

D



M3.5*14mm
×(16+2)

E



×2

F



×4

G



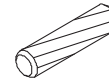
M3.5*30mm
×4

H



×(16+2)

I



×12

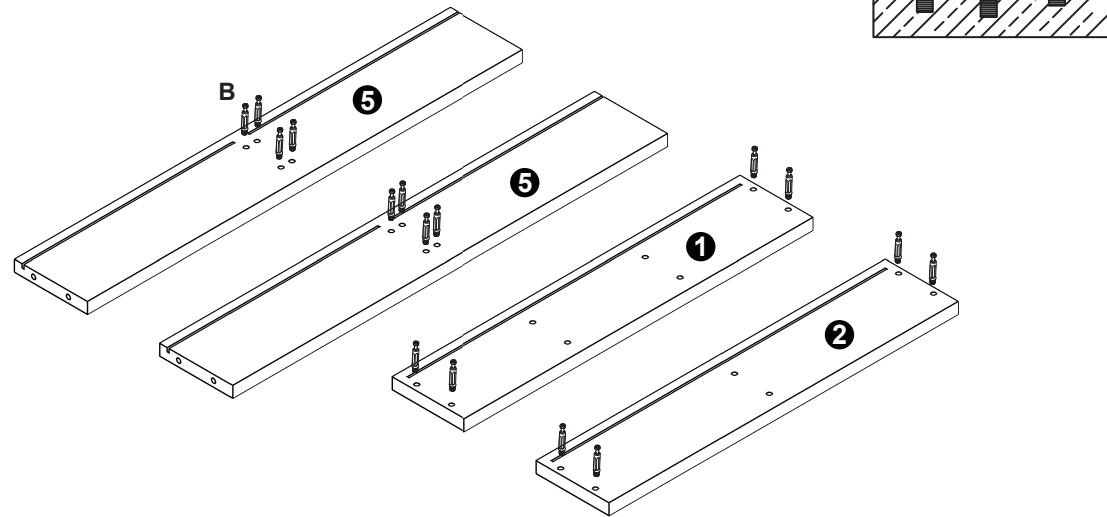
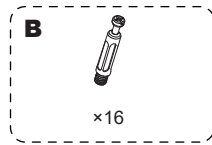
J



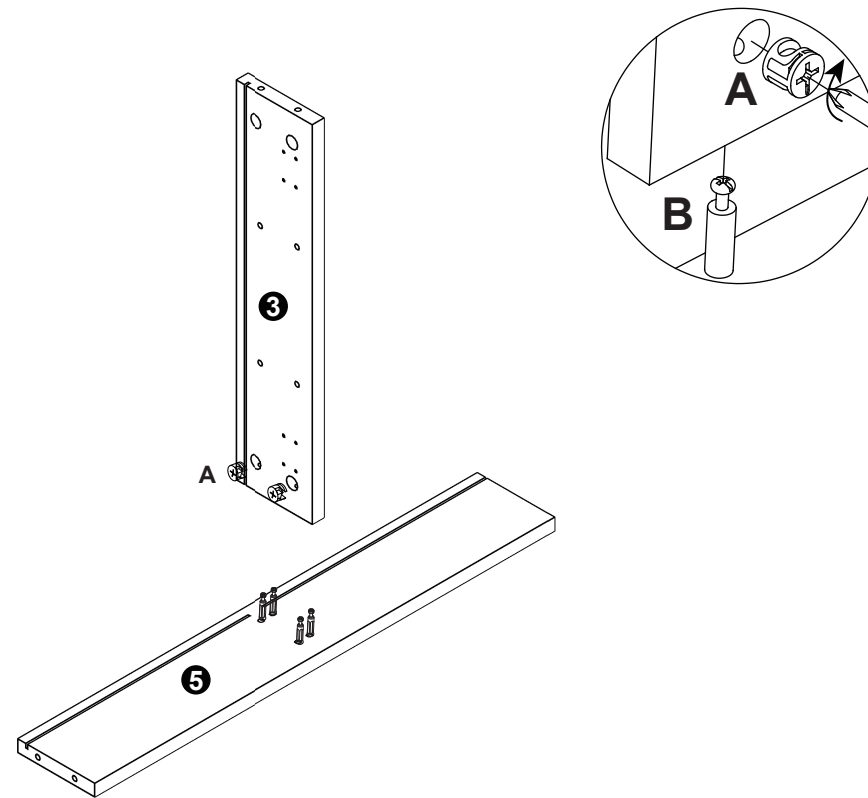
×8

Start...

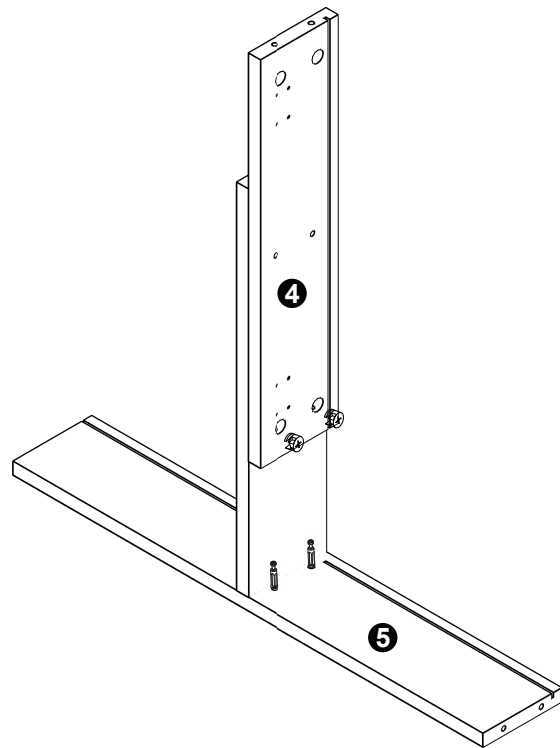
| Step1



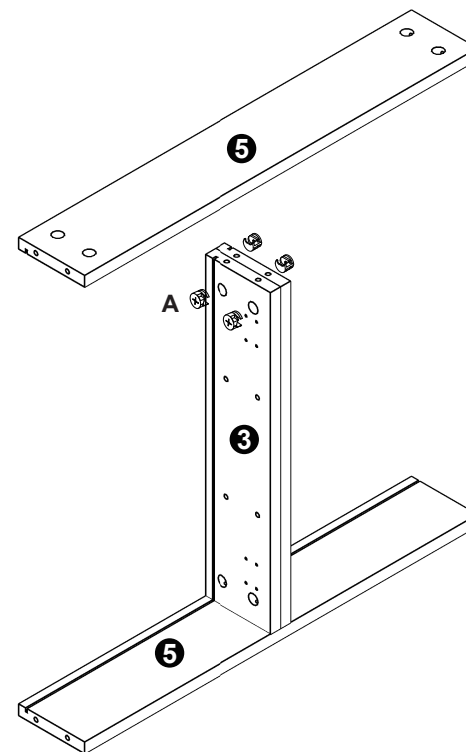
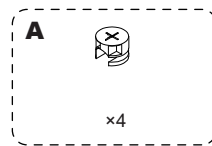
| Step2



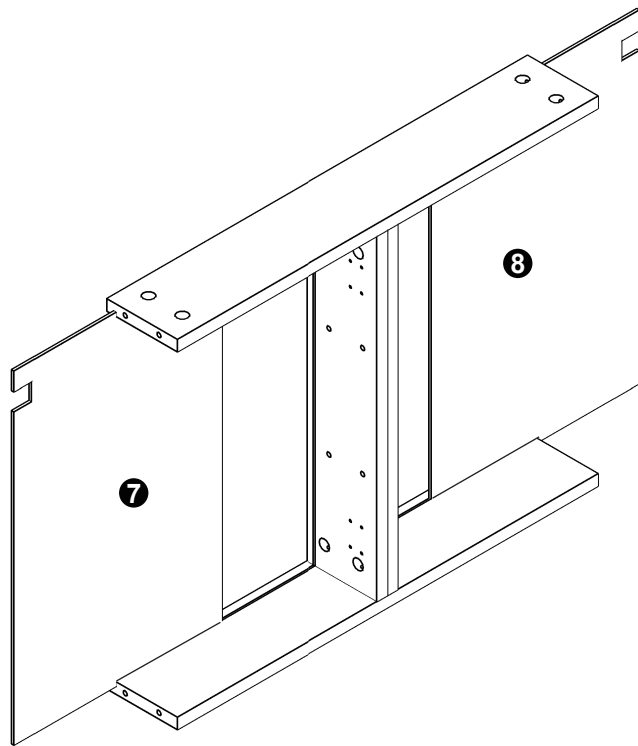
| Step3



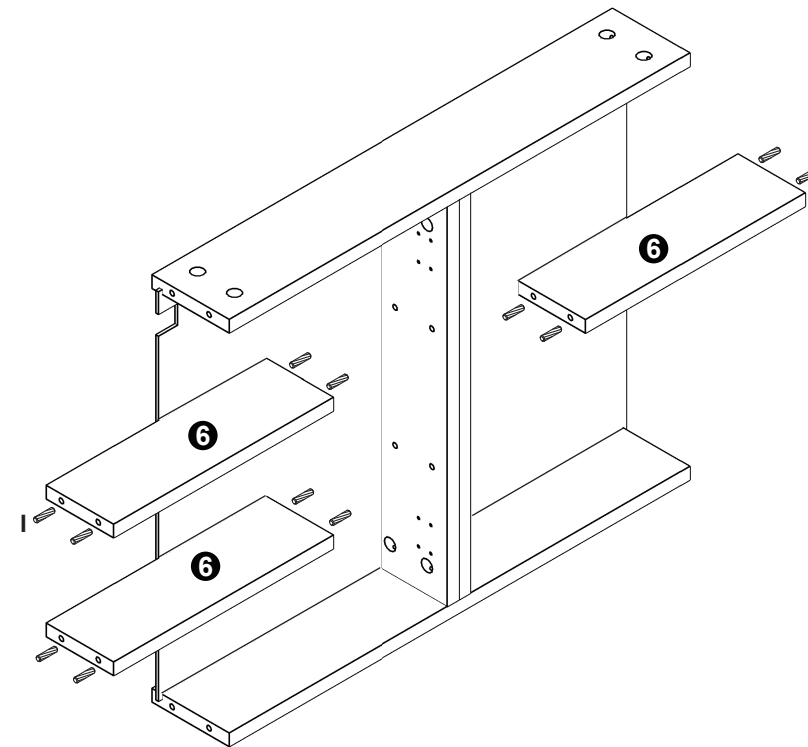
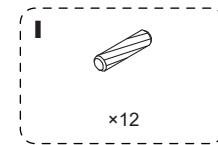
| Step4



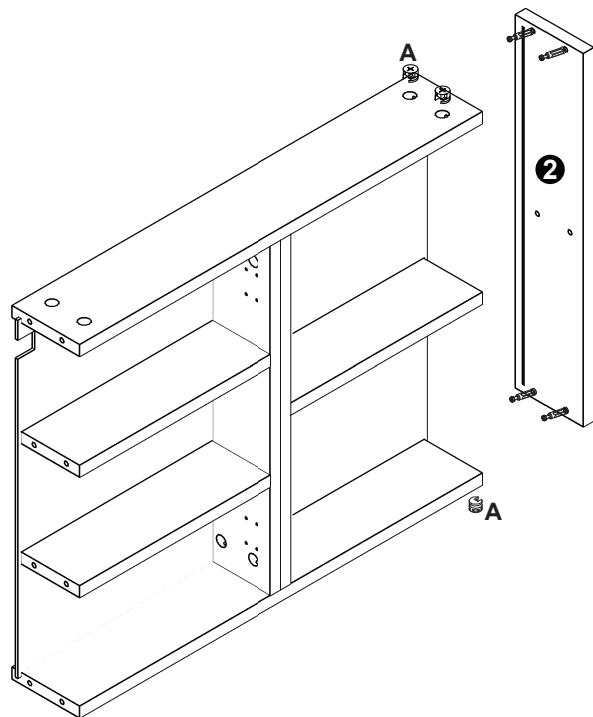
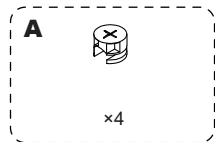
| Step5



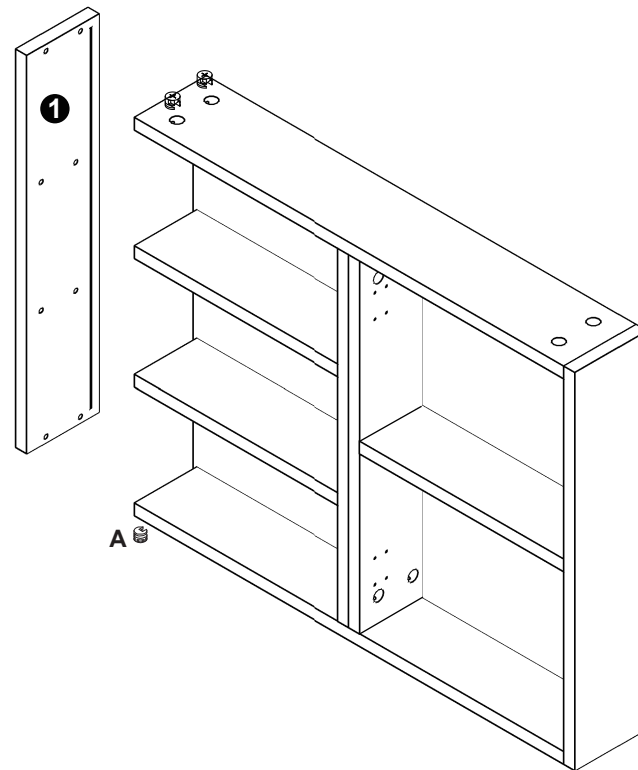
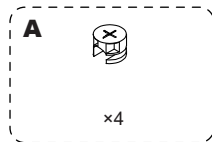
| Step6



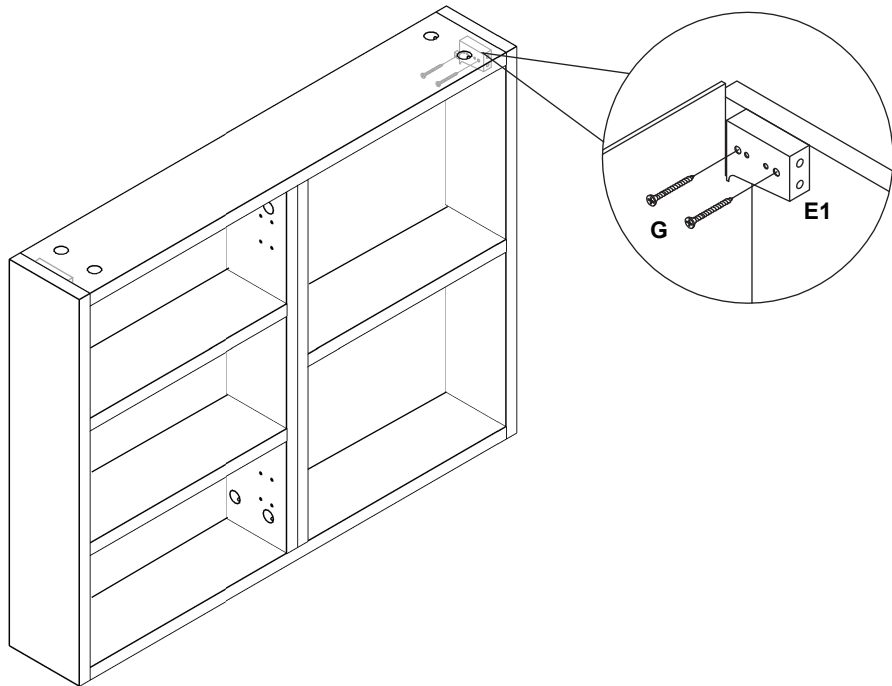
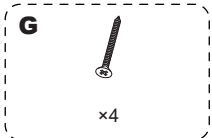
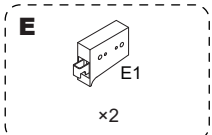
| Step7



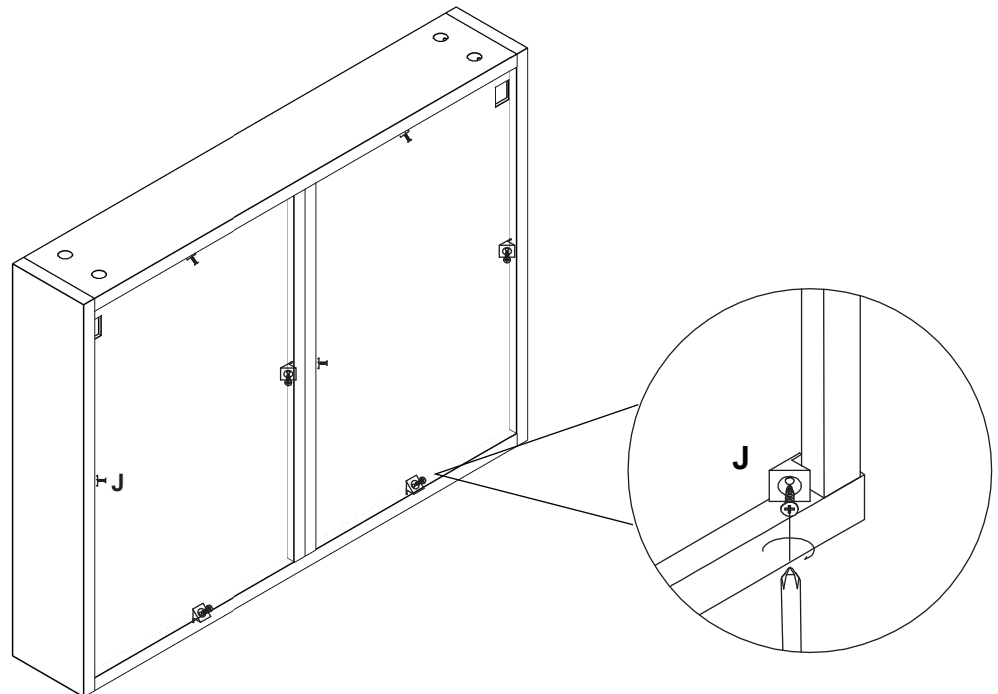
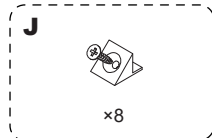
| Step8



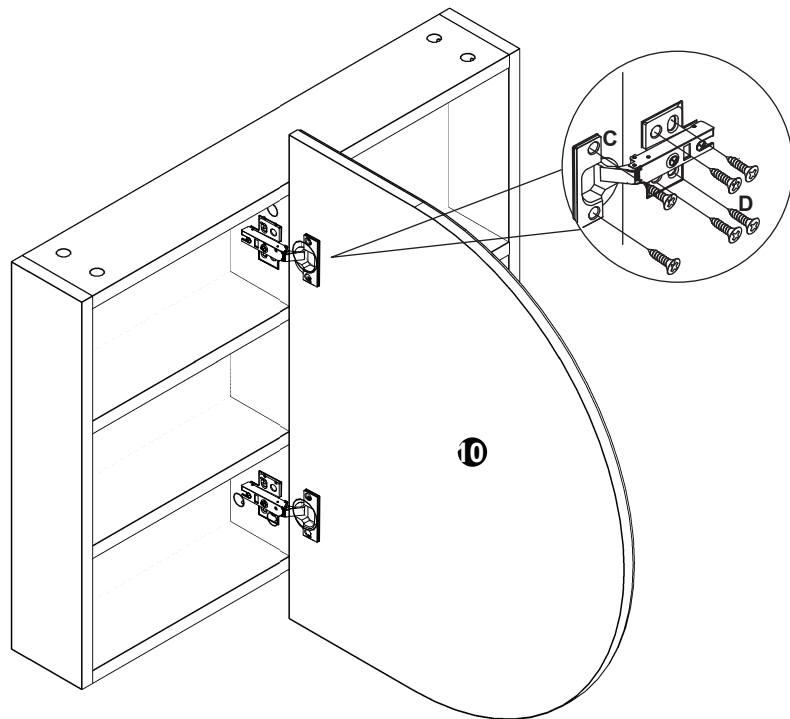
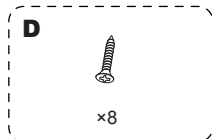
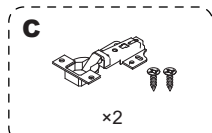
| Step9



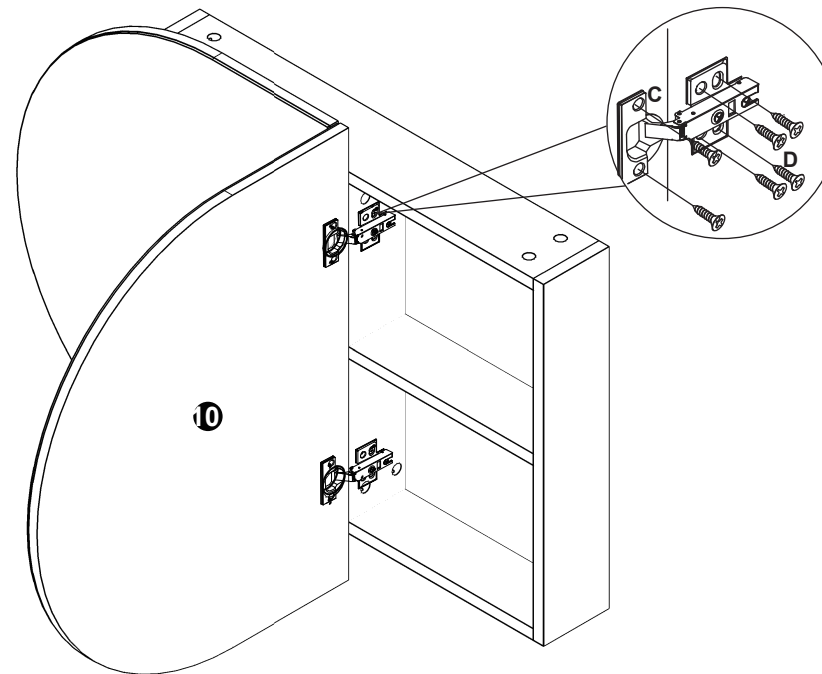
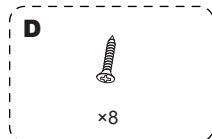
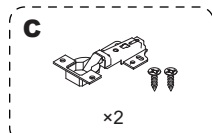
| Step10



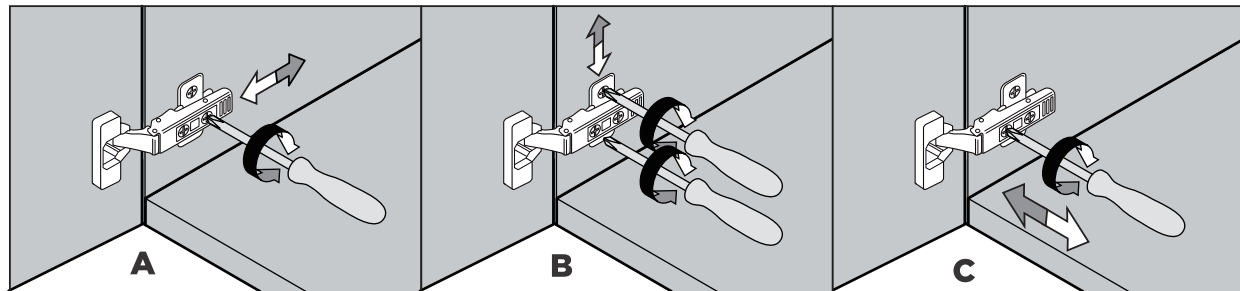
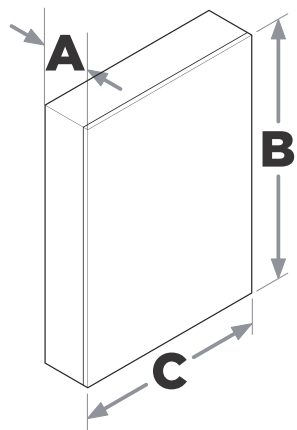
| Step11



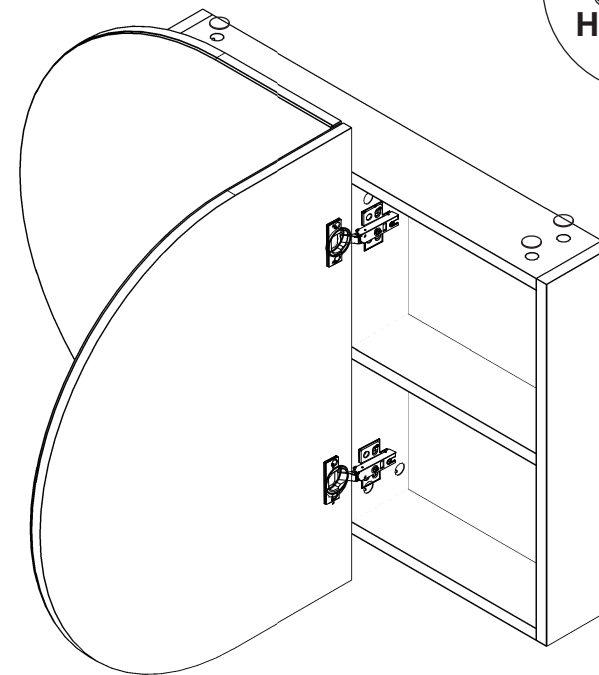
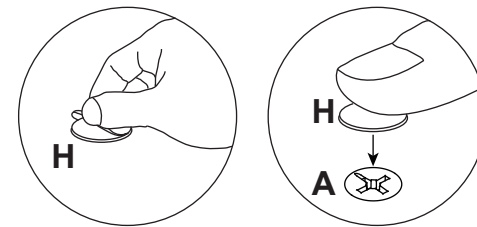
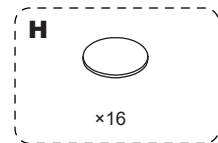
| Step12

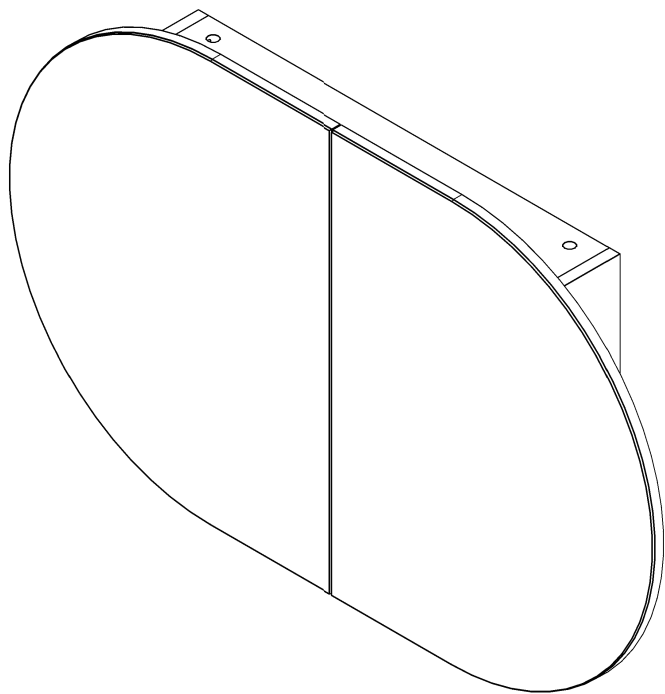


DOOR ADJUSTMENT/DOOR REMOVAL



| Step 13

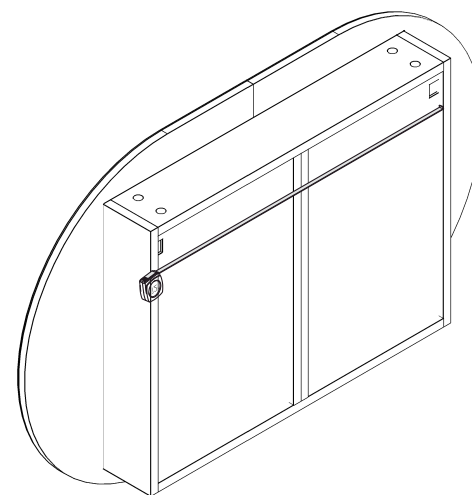
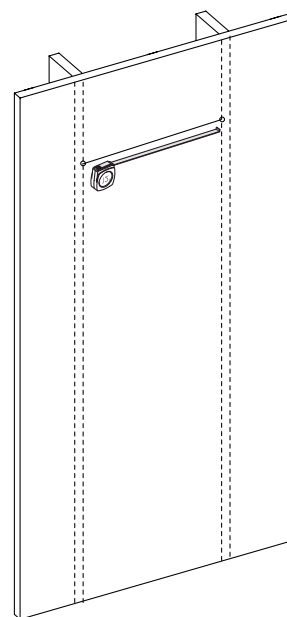




Wall Mounting

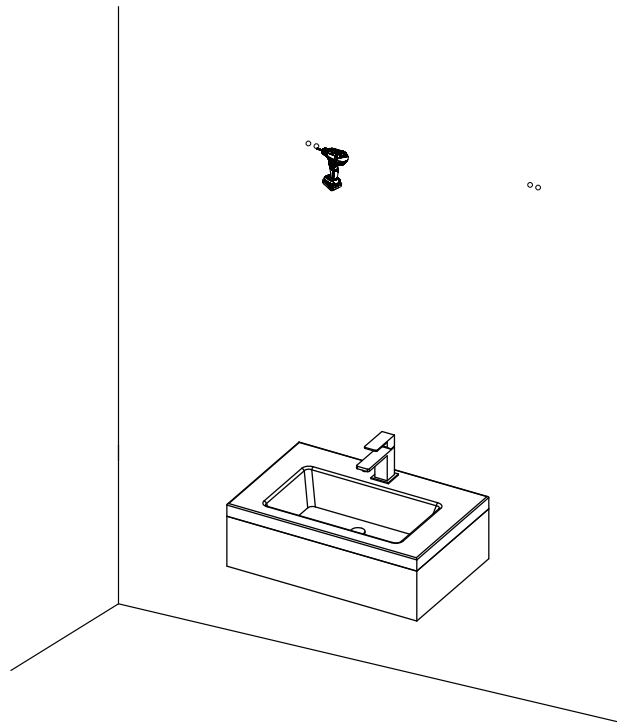
| Step 1

Mark the mounting holes on the wall.



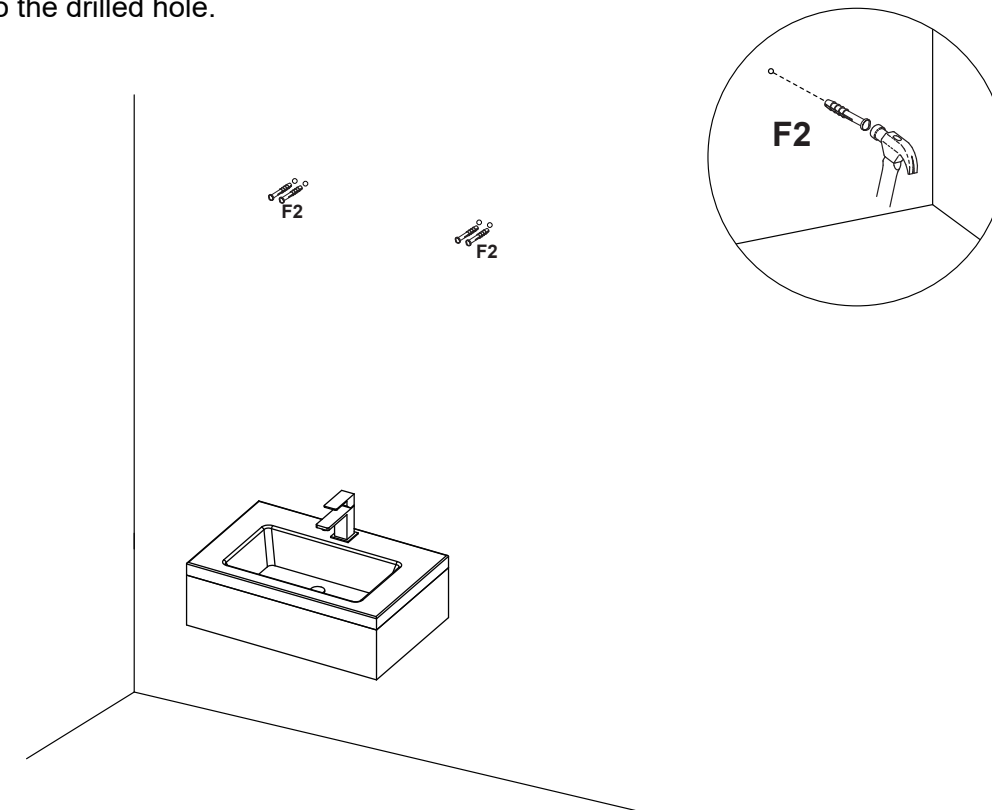
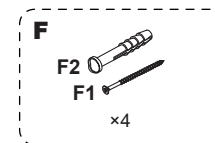
| Step2

Drill holes in marked places.



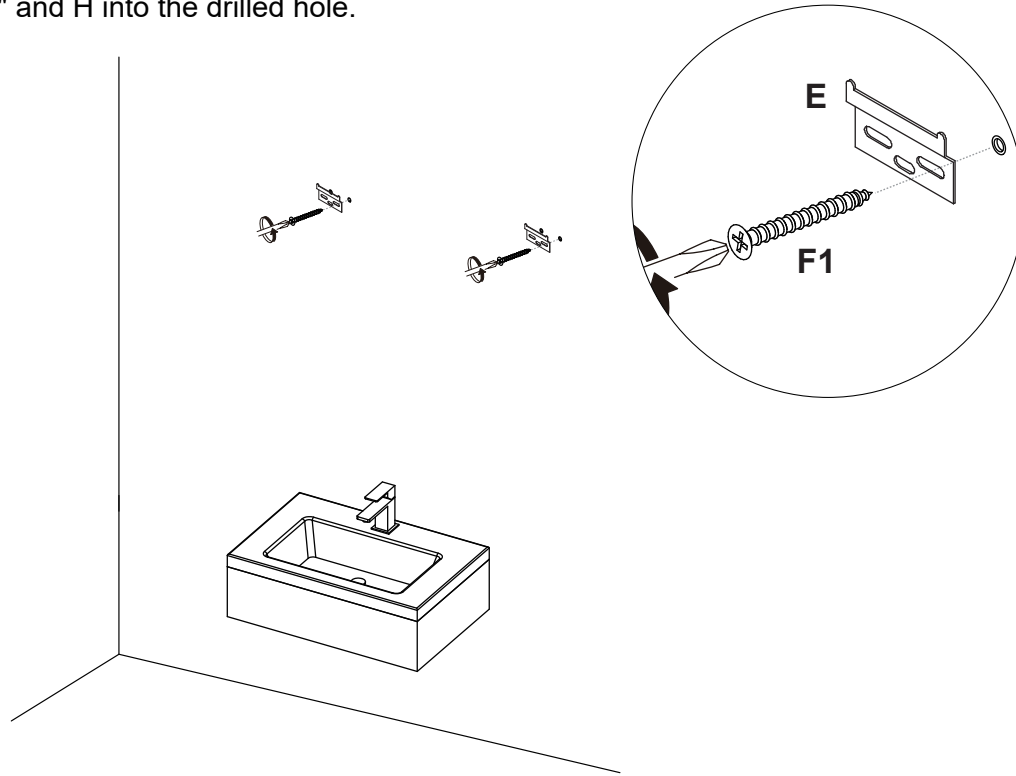
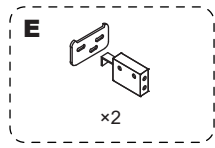
| Step3

Hammer the "F2" into the drilled hole.



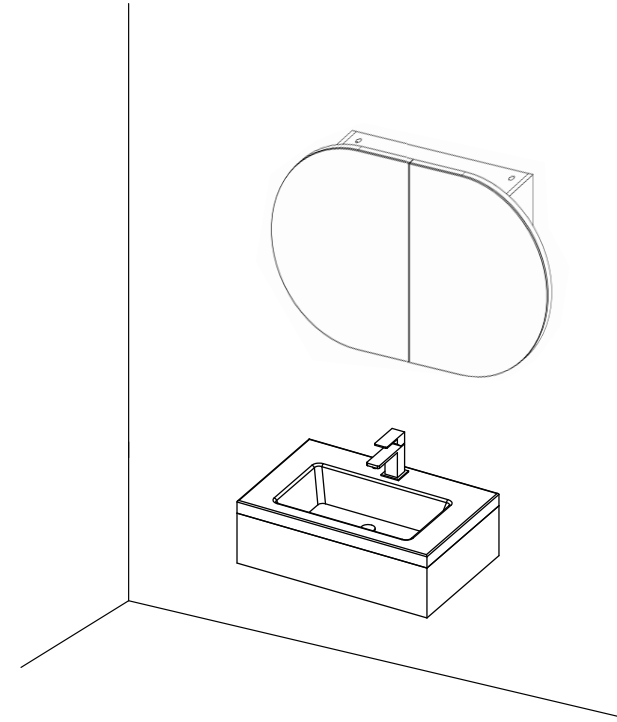
| Step4

Hammer the "F1" and H into the drilled hole.

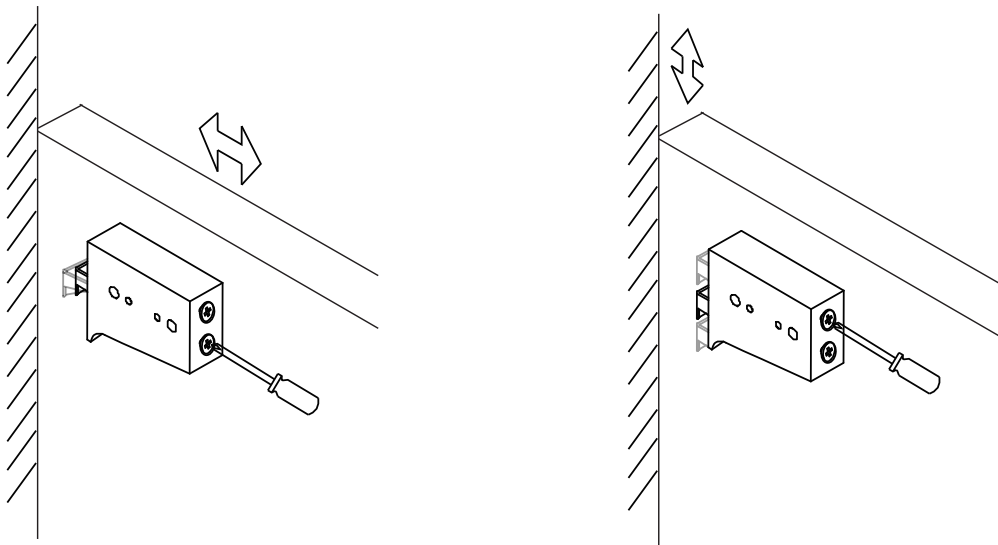


| Step5

Hang the medicine cabinet on the wall.



⚠ If the cabinet does not fit the wall after the hanger is installed, adjust the two cross screws on the back of the hanger. please refer to last page details.



FAULT DETECTION AND HANDLING

| Faults | Causes | Measures |
|--------------------------------------|------------------------------------|--|
| Broken mirror | Bad package or violent transport | Get replacement or refund by contact us with damaged photos |
| Cracked/scratched boards | Bad packaging or violent transport | Get replacement or partial refund by contact us with damaged photos |
| Mirror cabinet does not fit the wall | Uneven wall, tilted angle | Adjust the 2 screws on the hanging code, the top screw adjusts the angle of tilt of the mirror cabinet. The bottom screw adjusts the fit between the mirror cabinet and the wall |
| Door and cabinet cannot be aligned | Incorrect hinge installation | Adjust the hinges, loosen the screws, then align the mirror cabinet door with the door frame and finally tighten all the screws |