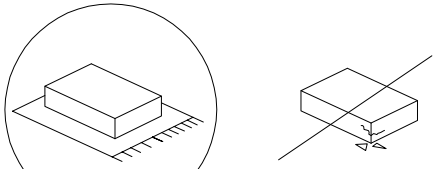


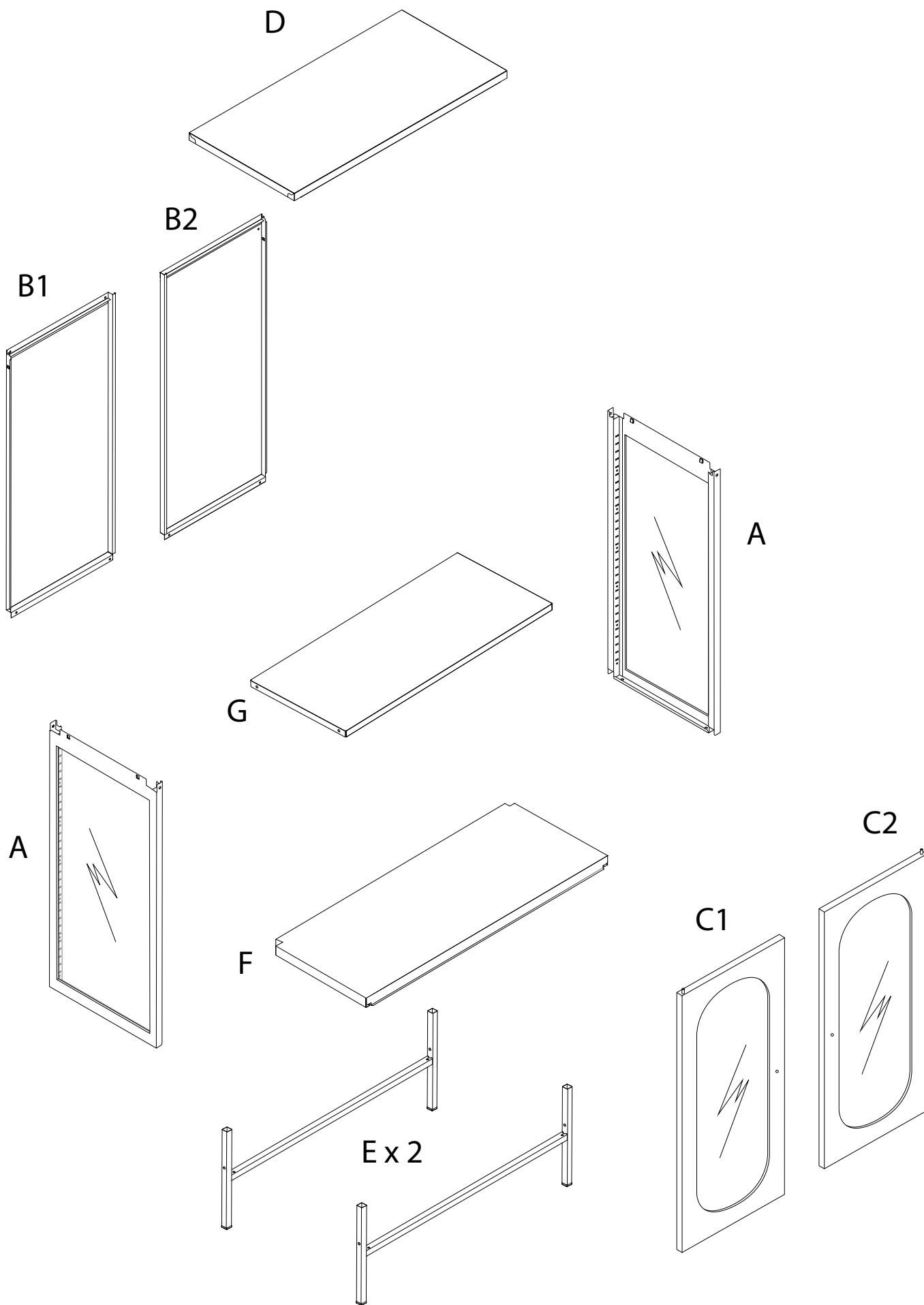
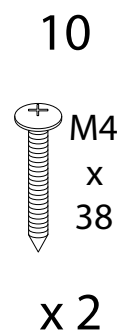
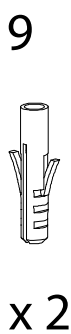
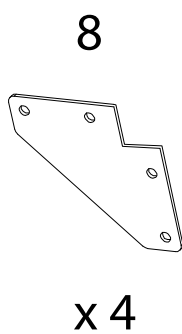
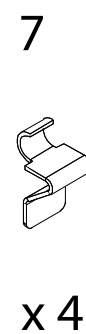
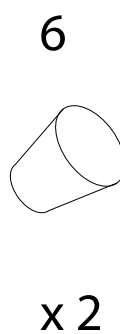
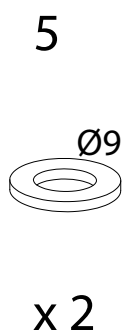
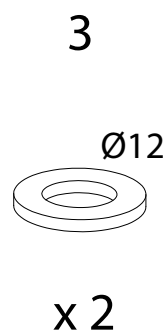
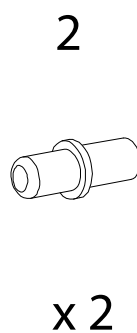
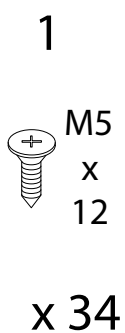
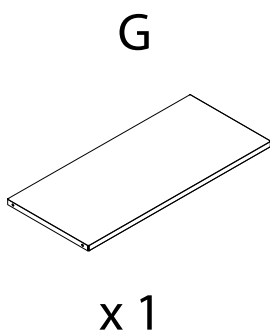
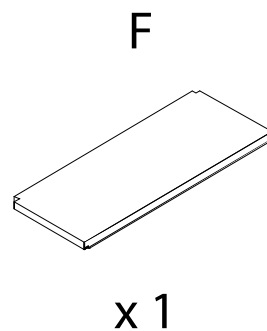
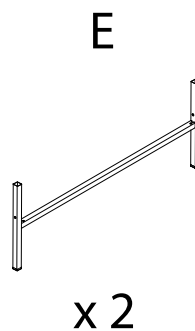
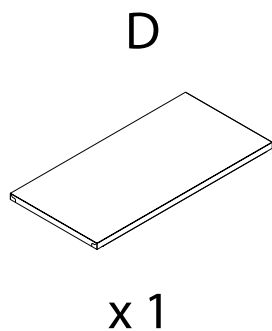
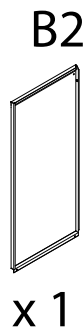
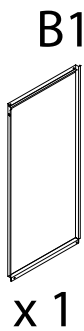
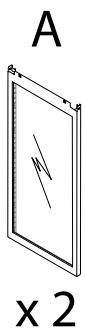
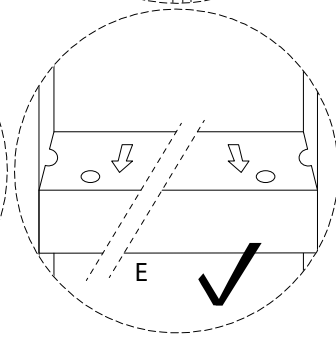
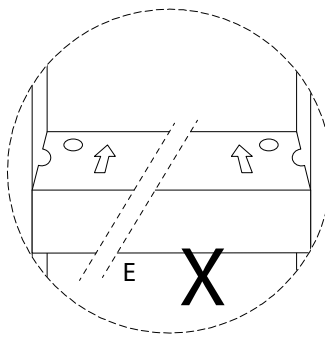
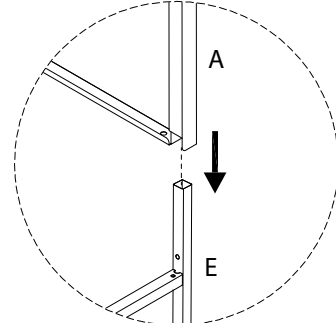
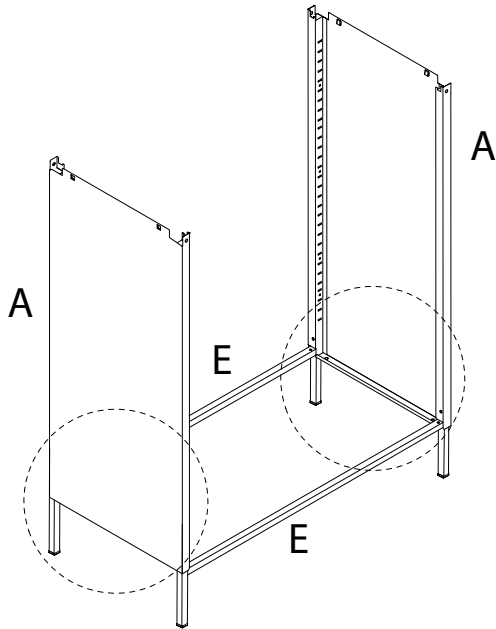
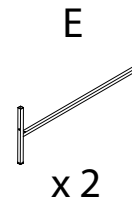
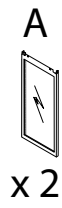

		<b>30'</b>
		
		<b>1</b>

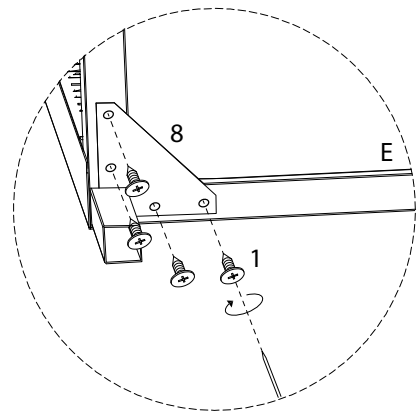
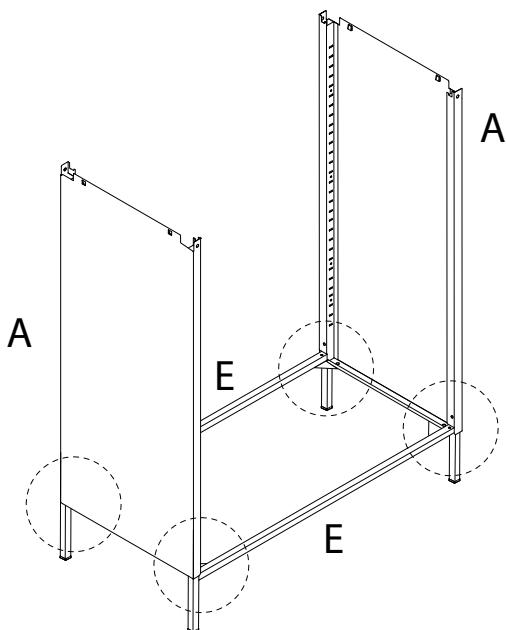
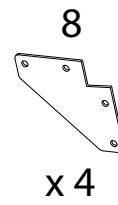
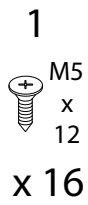




1



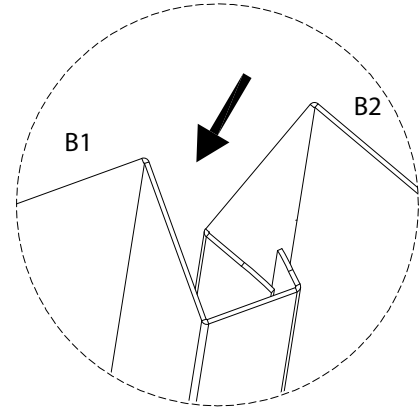
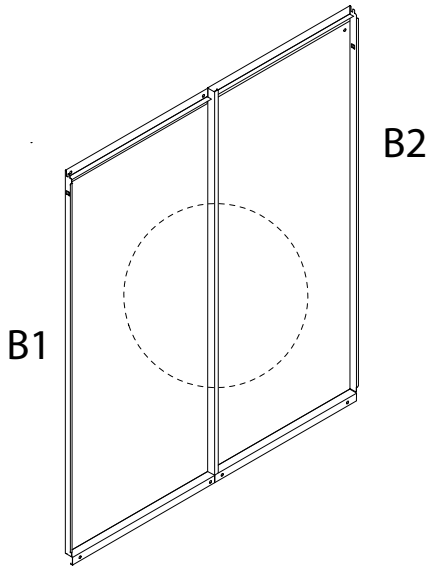
2



3

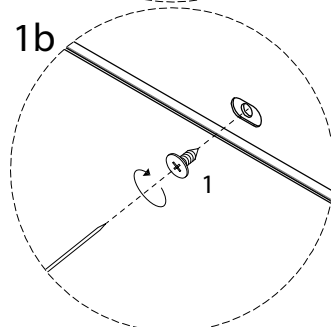
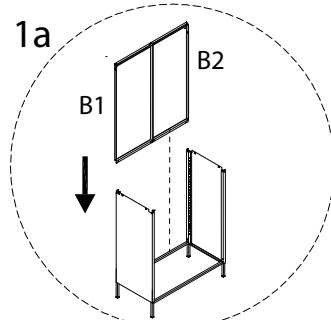
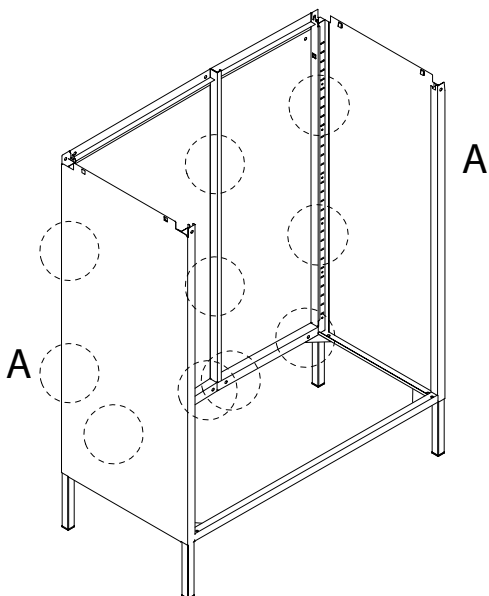
B1  
x 1

B2  
x 1

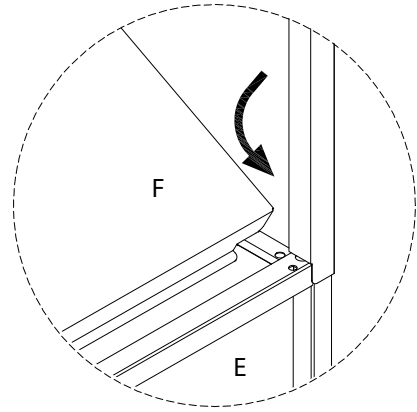
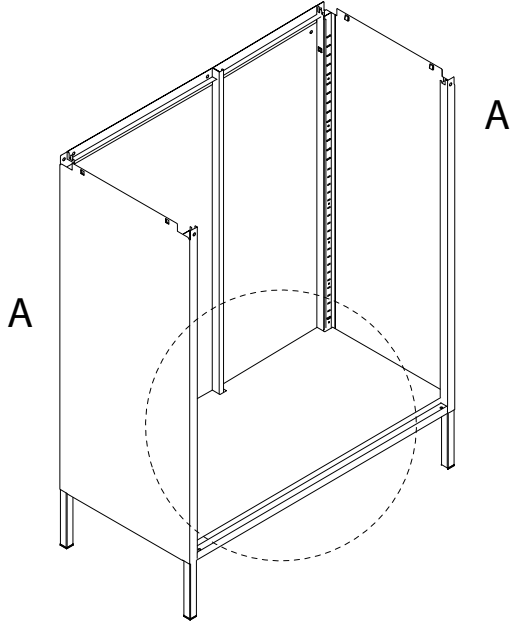
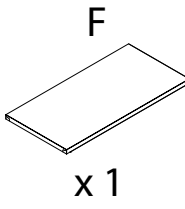


4

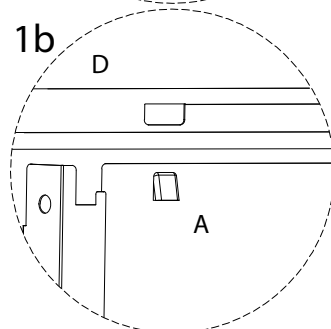
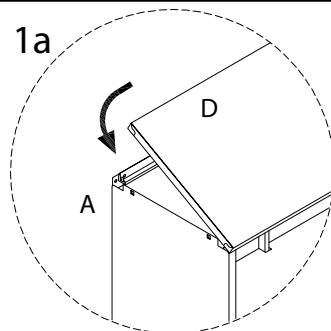
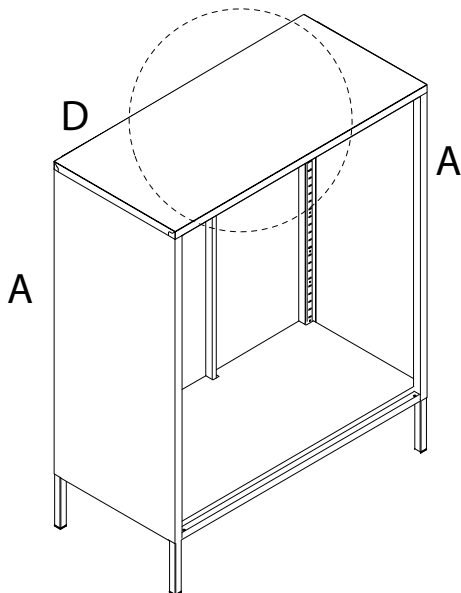
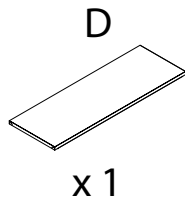
1  
M5  
x  
12  
x 10



5

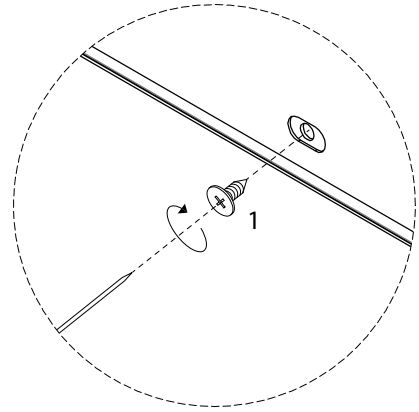
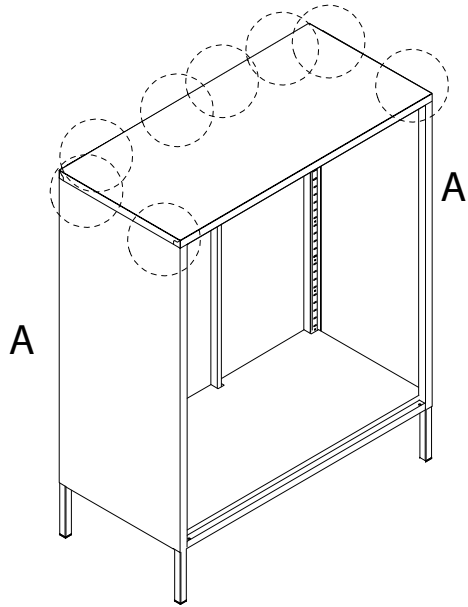


6



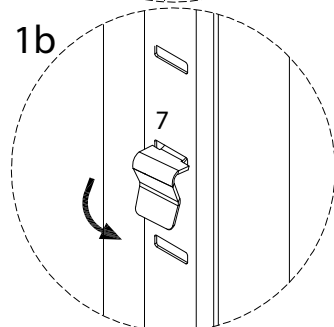
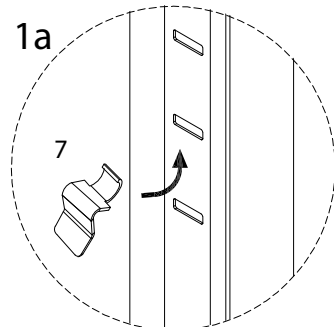
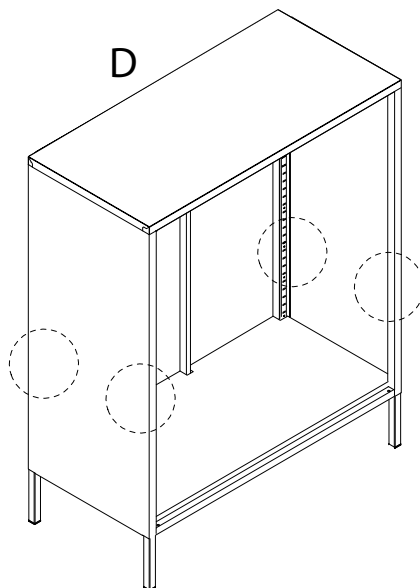
7

1  
M5  
x  
12  
x 8

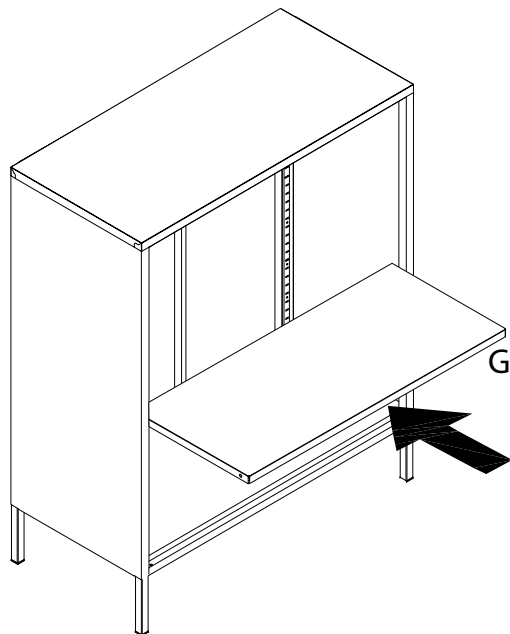
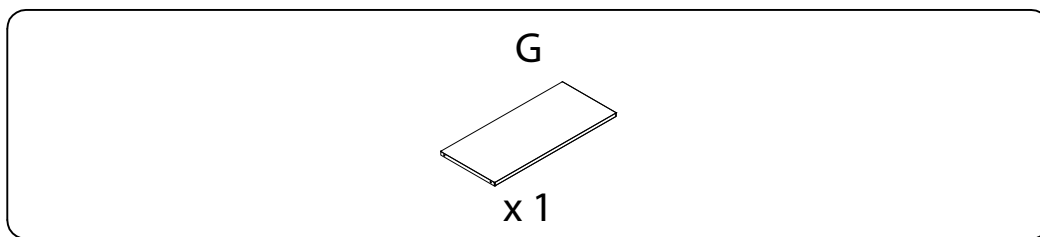


8

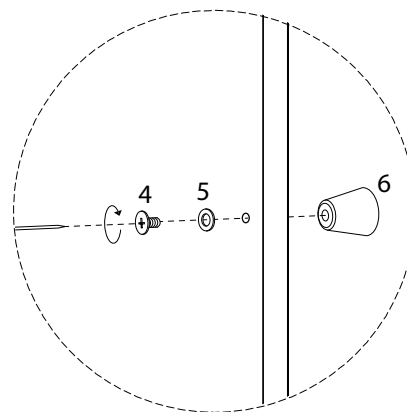
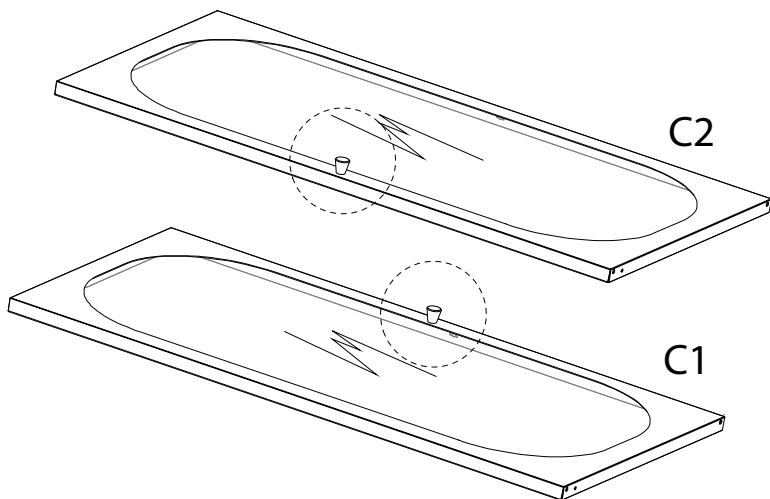
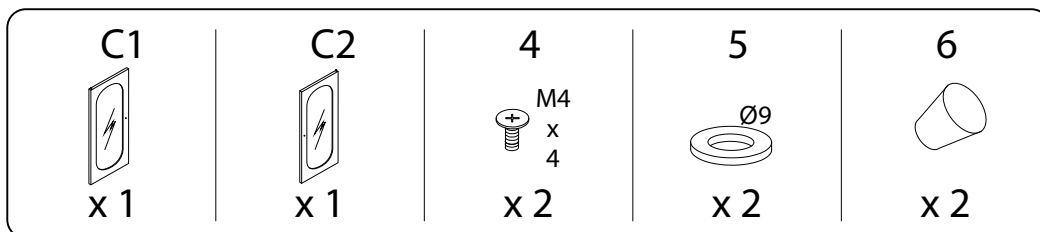
7  
x 4



9

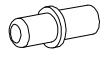


10



11

2



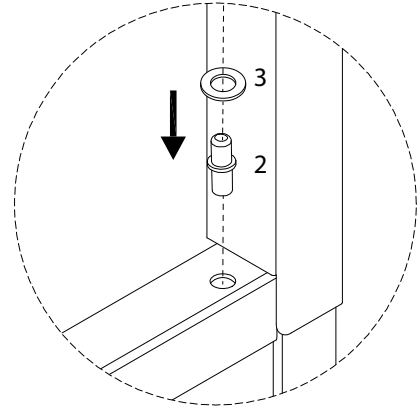
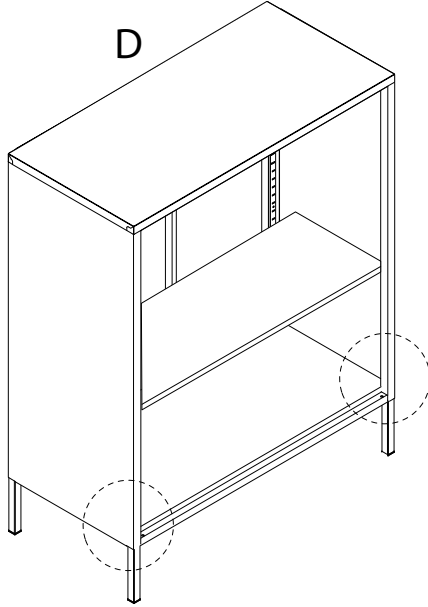
x 2

3

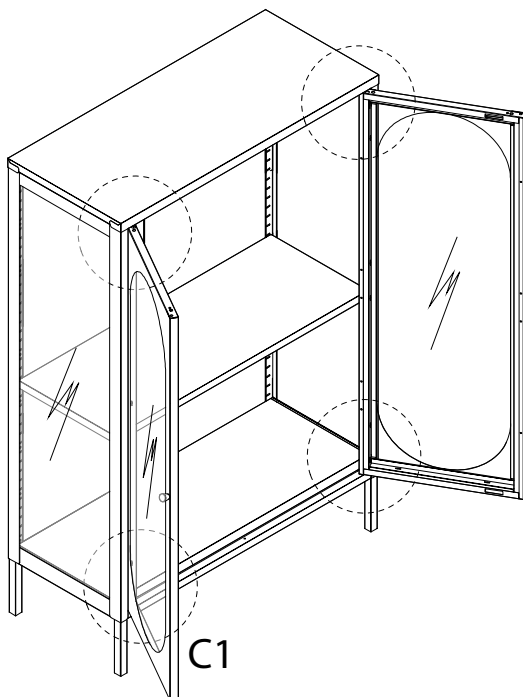


x 2

D

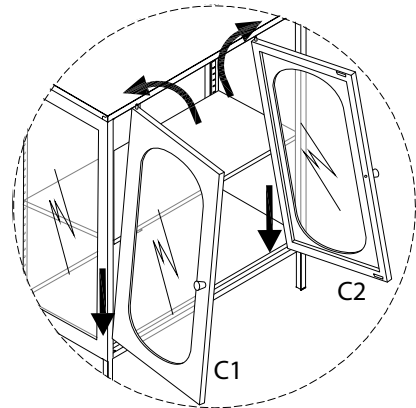


12



C2

C1



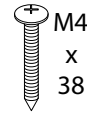
13

9



x 2

10



x 2

